



US00D774253S

(12) **United States Design Patent** (10) **Patent No.:** **US D774,253 S**
Oechslin et al. (45) **Date of Patent:** **** Dec. 13, 2016**

- (54) **ORAL HYGIENE DEVICE** 5,950,641 A 9/1999 Taveras
- (71) Applicant: **Peak Enterprises, Inc.**, Sarasota, FL (US) 6,039,050 A 3/2000 Goldenburg
- (72) Inventors: **Thomas A. Oechslin**, Sarasota, FL (US); **Gregory L. Rogers**, Portage, OH (US) 6,095,157 A 8/2000 Brown
- (73) Assignee: **Peak Enterprises, Inc.**, Bozeman, MT (US) D441,142 S * 4/2001 Doyscher D24/152

- RE37,625 E * 4/2002 Wieder A46B 5/02 15/143.1
- 6,440,149 B1 8/2002 Potti
- 7,331,731 B2 2/2008 Hohlbein et al.
- D599,557 S * 9/2009 Crossman D4/108
- D606,706 S 12/2009 Chodorow et al.
- D607,606 S 1/2010 Chodorow et al.

(Continued)

(**) Term: **15 Years**

FOREIGN PATENT DOCUMENTS

(21) Appl. No.: **29/533,094**

JP 2000139961 A 5/2000

(22) Filed: **Jul. 14, 2015**

OTHER PUBLICATIONS

(51) **LOC (10) Cl.** **28-03**

United States Non-Final Office Action, U.S. Appl. No. 14/799,027 dated Aug. 10, 2016.

(52) **U.S. Cl.**

USPC **D28/66**

(58) **Field of Classification Search**

USPC D28/31, 56, 65-68, 73; D24/152; D4/100-102, 104; 433/141, 146-147; 132/322-329

CPC A61C 15/045-15/048; A61C 17/34; A61C 17/222

See application file for complete search history.

Primary Examiner — George D Kirschbaum

Assistant Examiner — Joseph Kukella

(74) *Attorney, Agent, or Firm* — MacMillan, Sobanski & Todd, LLC

(57) **CLAIM**

The ornamental design for an oral hygiene device, as shown.

(56) **References Cited**

DESCRIPTION

U.S. PATENT DOCUMENTS

- 1,414,604 A 5/1922 Thum
- D191,821 S * 11/1961 Mitchell D28/68
- D240,341 S * 6/1976 Najjar D4/108
- 4,194,290 A 3/1980 Vallhonrat
- D283,761 S 5/1986 Chen
- 5,125,424 A 6/1992 Eisen
- 5,348,028 A 9/1994 Gustavel
- 5,423,427 A 6/1995 Brown
- D388,616 S 1/1998 Wieder et al.
- 5,749,116 A 5/1998 Wieder et al.
- 5,829,458 A 11/1998 Chodorow
- D404,129 S 1/1999 Wieder et al.
- D410,115 S 5/1999 Chodorow

FIG. 1 is a top plan view of an oral hygiene device according to the design;

FIG. 2 is a right side elevational view thereof;

FIG. 3 is a bottom plan view thereof;

FIG. 4 is a left side elevational view thereof;

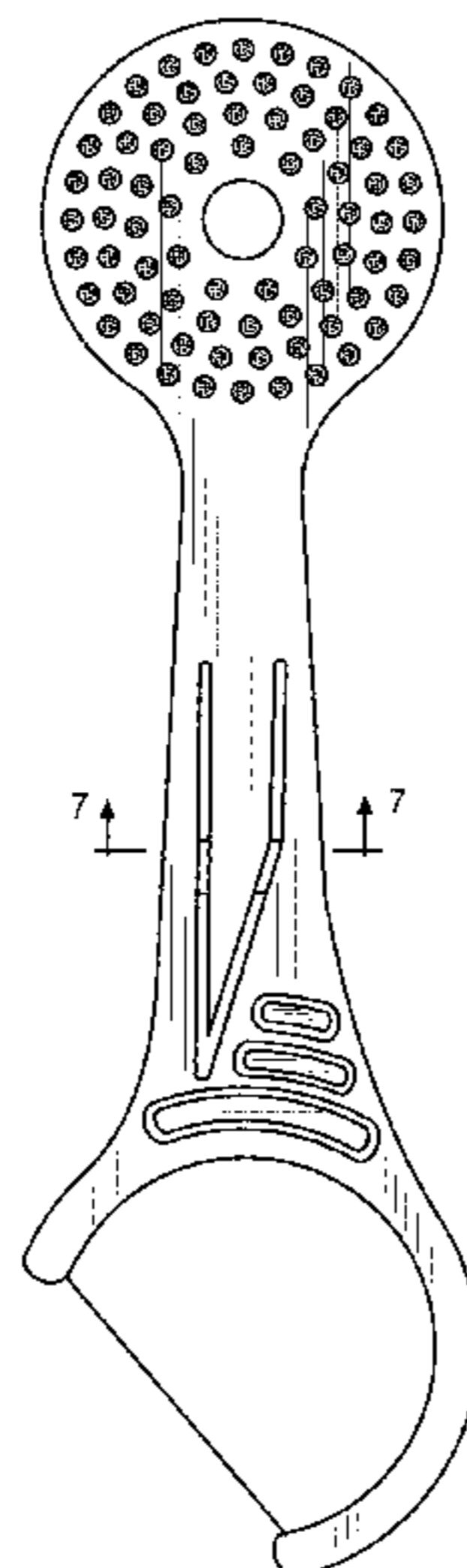
FIG. 5 is front elevational view thereof;

FIG. 6 is a rear elevational view thereof;

FIG. 7 is a cross-sectional view taken along line 7-7 as shown in FIG. 1; and,

FIG. 8 is a cross-sectional view taken along line 8-8 as shown in FIG. 3.

1 Claim, 3 Drawing Sheets



US D774,253 S

Page 2

(56)

References Cited

U.S. PATENT DOCUMENTS

D612,104 S 3/2010 Chodorow et al.
D665,131 S * 8/2012 Nanda D28/66
D666,006 S * 8/2012 Zarrabi D28/68
D691,377 S 10/2013 Zarrabi et al.
8,997,761 B1 * 4/2015 Mitchell A46B 15/0071
132/309

2003/0150474 A1* 8/2003 Doyscher A61C 15/046
132/325
2004/0040571 A1 3/2004 Williams, Sr. et al.
2006/0052805 A1 3/2006 Cwik
2010/0043164 A1 2/2010 Holowecky
2012/0080049 A1 4/2012 Liu
2013/0220363 A1 8/2013 Zarrabi et al.
2014/0007899 A1 1/2014 Berry et al.

* cited by examiner

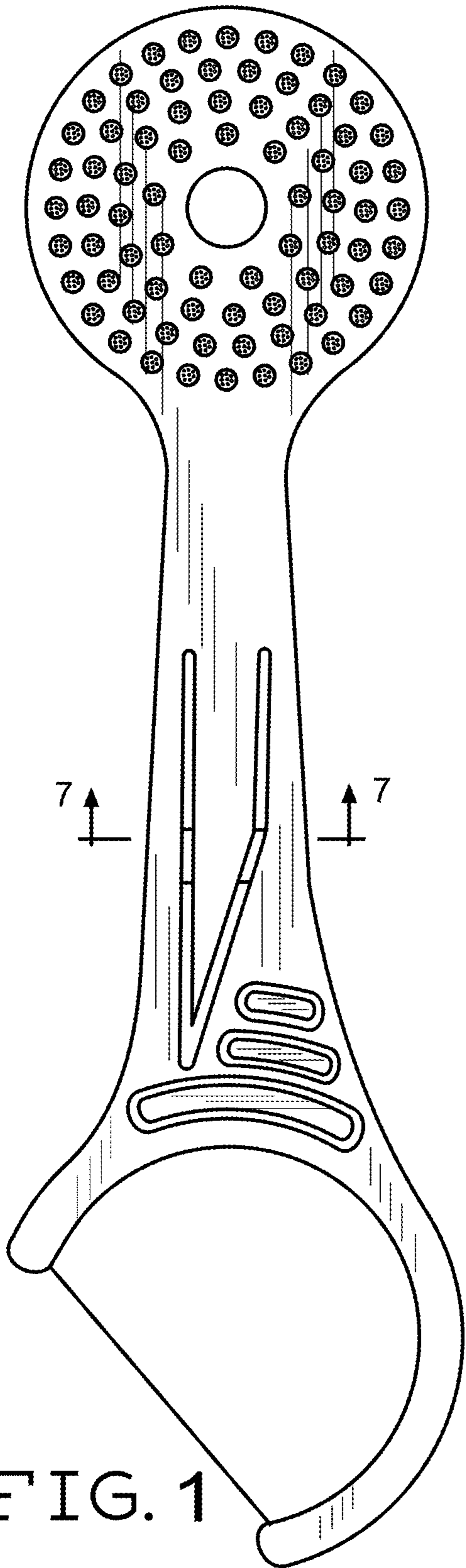


FIG. 1

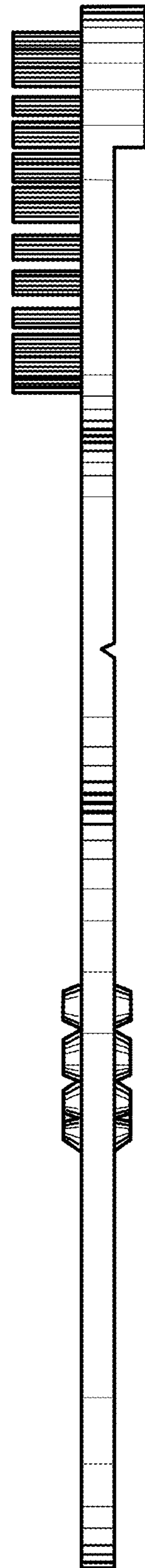


FIG. 2

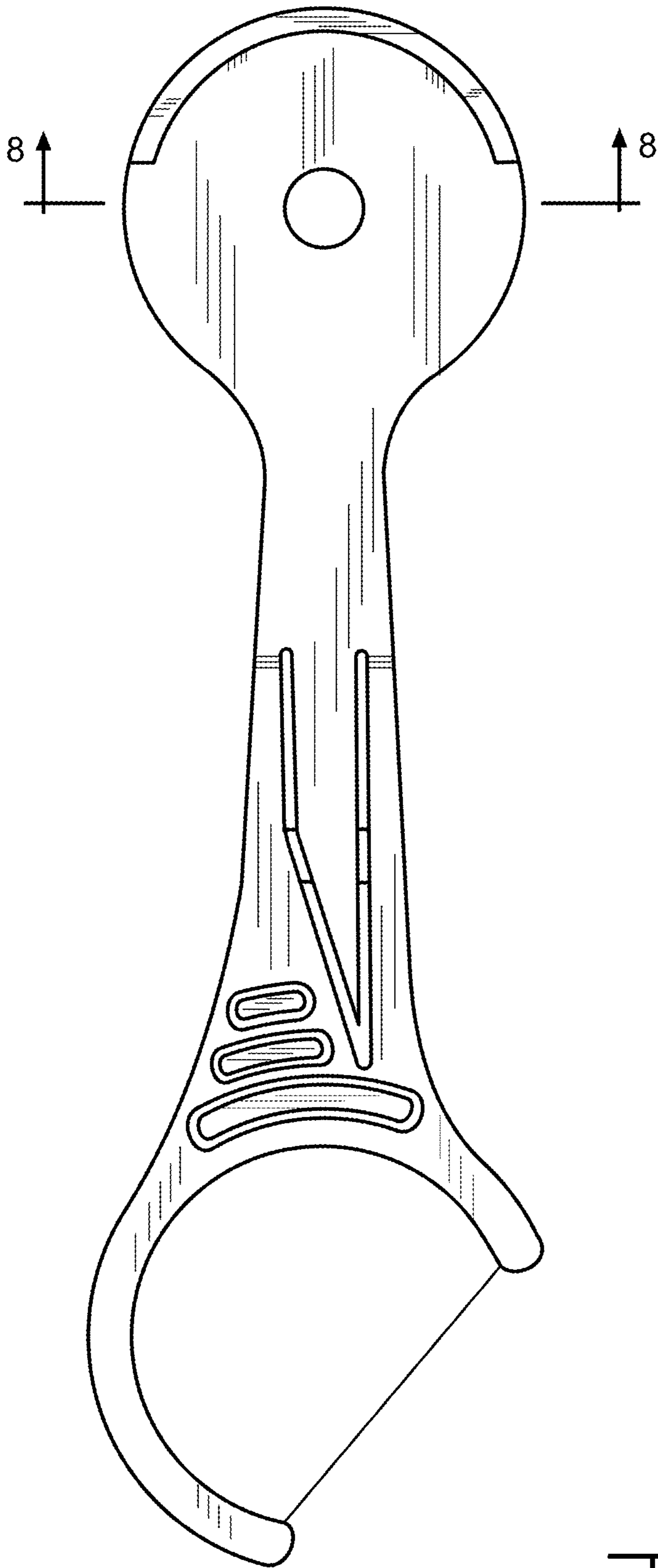


FIG. 3

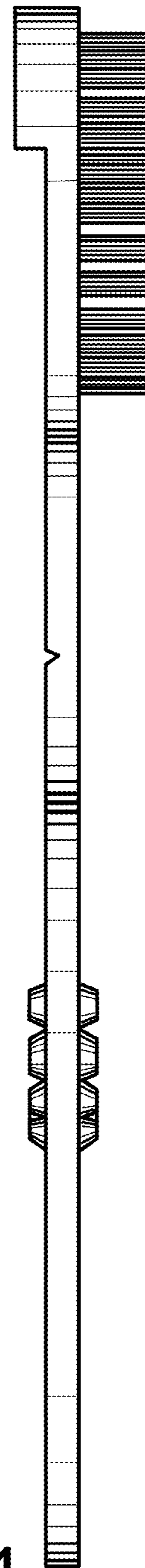


FIG. 4

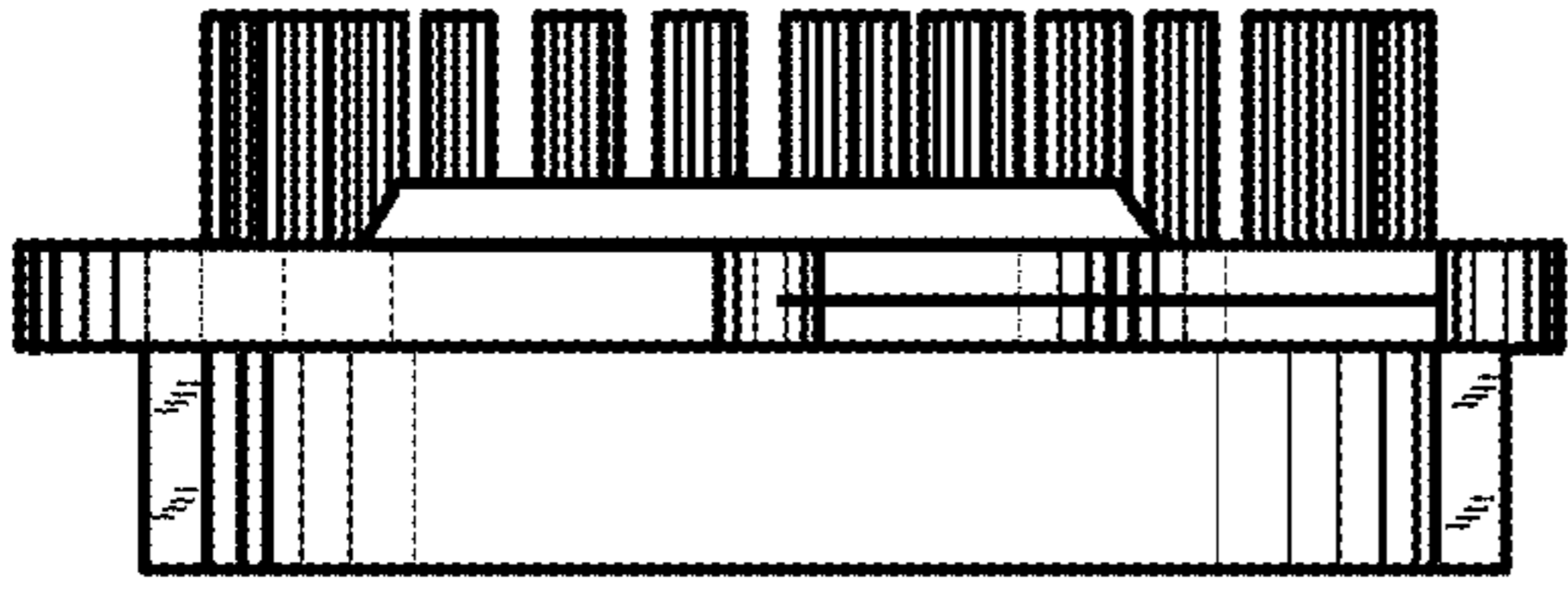


FIG. 5

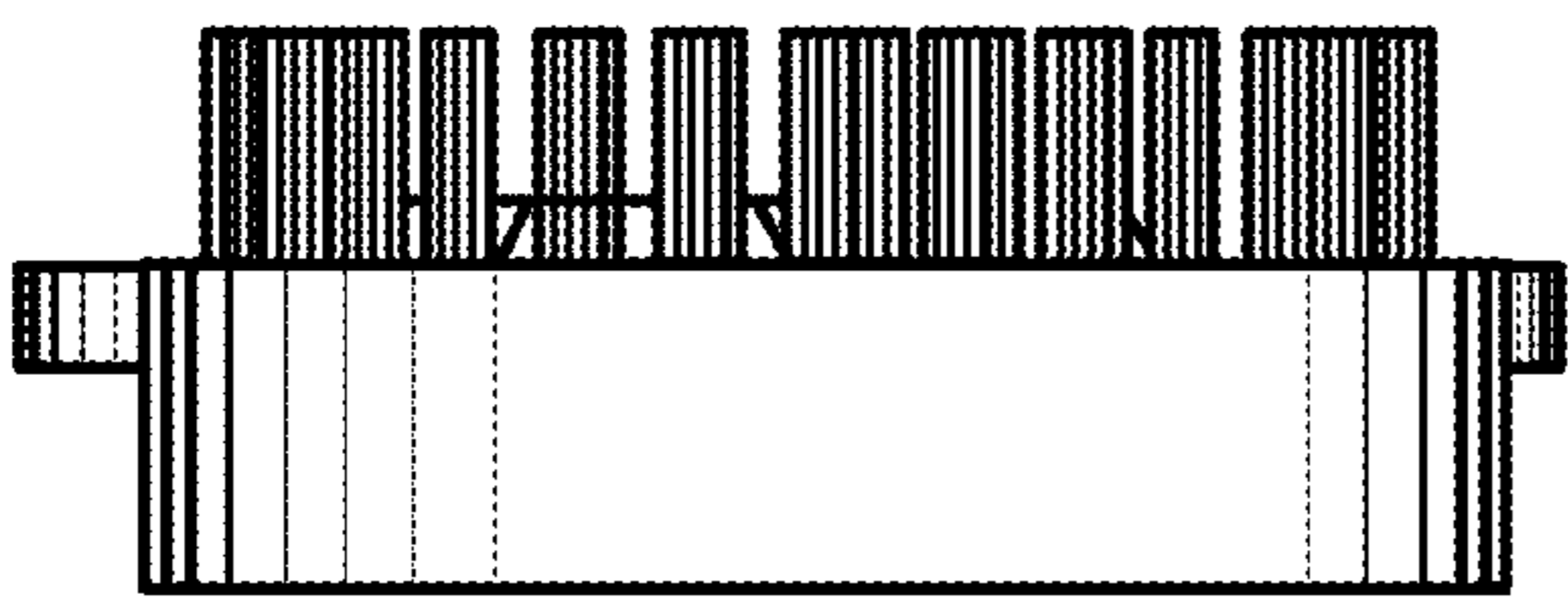


FIG. 6



FIG. 7

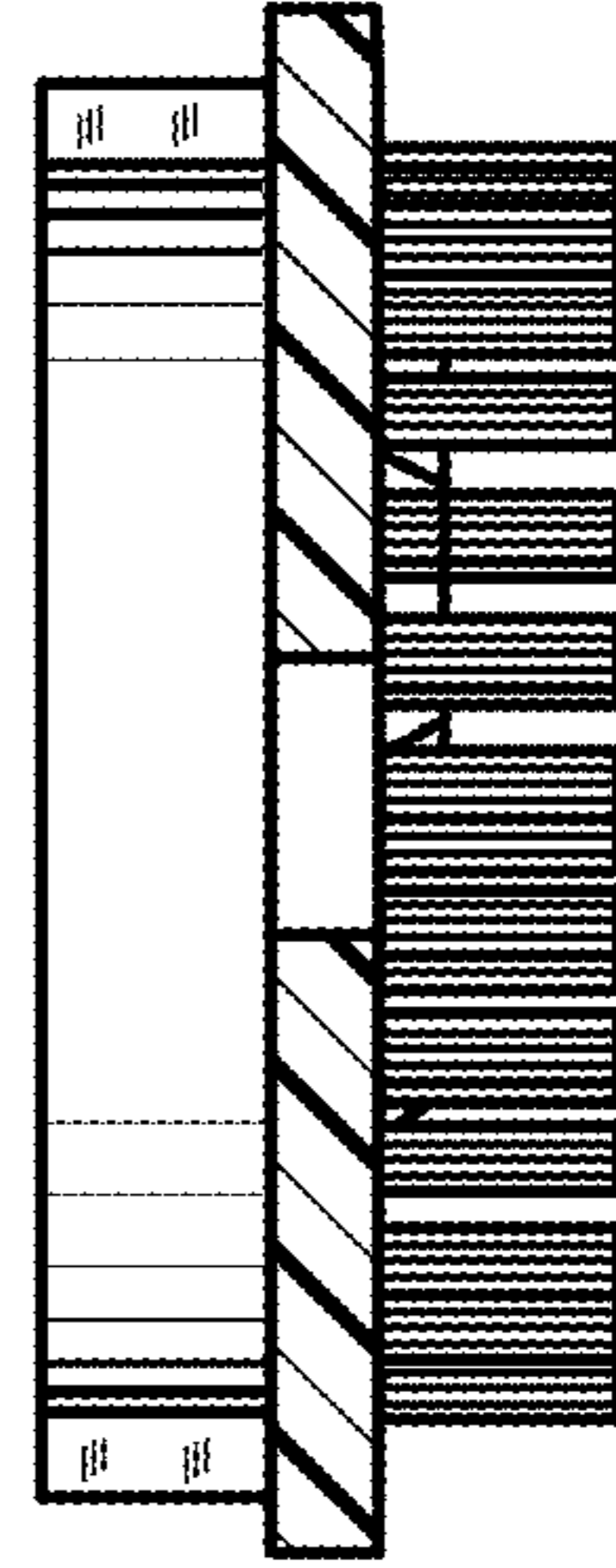


FIG. 8