



US00D774252S

(12) **United States Design Patent**
Guzzi

(10) **Patent No.:** **US D774,252 S**

(45) **Date of Patent:** **** Dec. 13, 2016**

(54) **HAIRDRYER**

(71) Applicant: **HOSPISTYLE di Trapani Maria**,
Premolo (BG) (IT)

(72) Inventor: **Raffaele Guzzi**, Premolo (IT)

(73) Assignee: **HOSPISTYLE DI TRAPANI**
MARIA, Premolo (BG) (IT)

(**) Term: **15 Years**

(21) Appl. No.: **29/531,531**

(22) Filed: **Jun. 26, 2015**

(51) **LOC (10) Cl.** **D28-03**

(52) **U.S. Cl.**
USPC **D28/13**; D28/16

(58) **Field of Classification Search**
USPC D28/12-19; D8/29.1; D32/17-18, 31-34;
D26/37

CPC A45D 20/12; A45D 20/00
See application file for complete search history.

(56) **References Cited**

U.S. PATENT DOCUMENTS

D222,198 S *	10/1971	Boldt	D28/13
D371,650 S *	7/1996	Dingelstad	D32/18
D426,023 S *	5/2000	Elkerbout	D28/16
D453,395 S *	2/2002	Yeung	D28/16
D472,015 S *	3/2003	Young	D28/13
D502,570 S *	3/2005	Nanbu	D28/13
D519,242 S *	4/2006	Lin	D28/13
D541,982 S *	5/2007	Choi	D28/13
D546,501 S *	7/2007	Fukasawa	D28/13
D564,149 S *	3/2008	Fjellman	D32/18
D606,246 S *	12/2009	Migliori	D28/13
D606,249 S *	12/2009	Leung	D28/13
D611,196 S *	3/2010	Jerome	D28/13
D646,848 S *	10/2011	Correll, Jr.	D28/13
2013/0160316 A1 *	6/2013	Hadden	A45D 20/00 34/96

OTHER PUBLICATIONS

Innovator Ionic Hair Dryer 1000W Color Black, posted date unknown, amazon.com, © 1996-2016, site visited Aug. 12, 2016, Available from Internet, <https://www.amazon.com/Innovator-Ionic-Dryer-1000W-Color/dp/B01G1KZU0C/ref=sr_1_1067_s_it?s=beauty&ie=UTF8&qid=1471020581&sr=1-1067&keywords=travel+hair+dryer>.*

* cited by examiner

Primary Examiner — Cathron Brooks

Assistant Examiner — Sharon S Oum

(74) *Attorney, Agent, or Firm* — Heslin Rothenberg Farley & Mesiti P.C.; Victor A. Cardona, Esq.

(57) **CLAIM**

I claim the ornamental design for a hairdryer, as shown and described.

DESCRIPTION

FIG. 1 is a front perspective view of a hairdryer comprising the new design;

FIG. 2 is a front view thereof;

FIG. 3 is a side view thereof, the opposite view being a mirror image thereof;

FIG. 4 is a top view thereof;

FIG. 5 is a rear view thereof;

FIG. 6 is a rear perspective view thereof;

FIG. 7 is a bottom view thereof;

FIG. 8 is a front perspective view of FIG. 1 shown in a collapsed position;

FIG. 9 is a front view thereof;

FIG. 10 is a side view thereof, the opposite side view being a mirror image thereof;

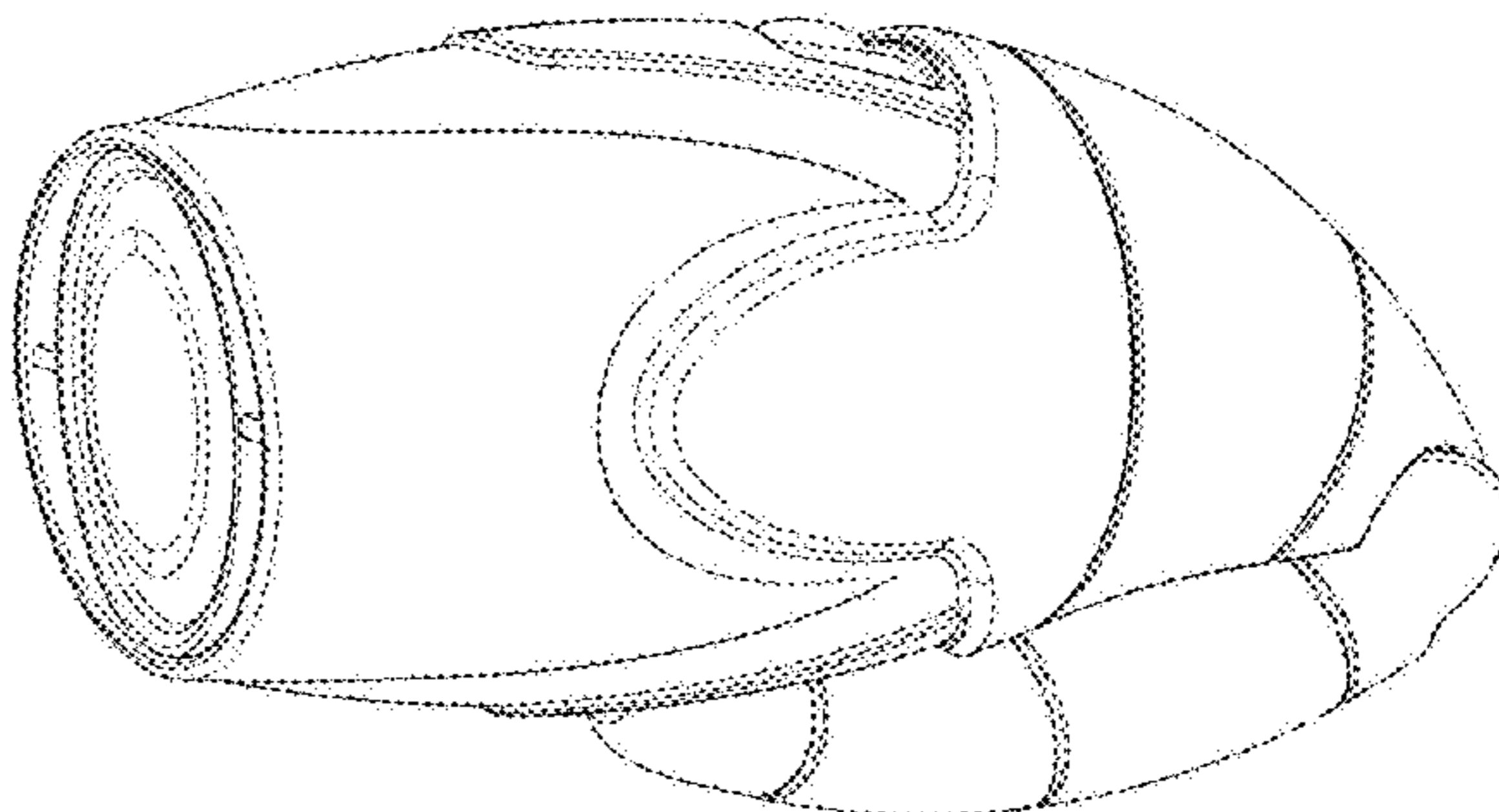
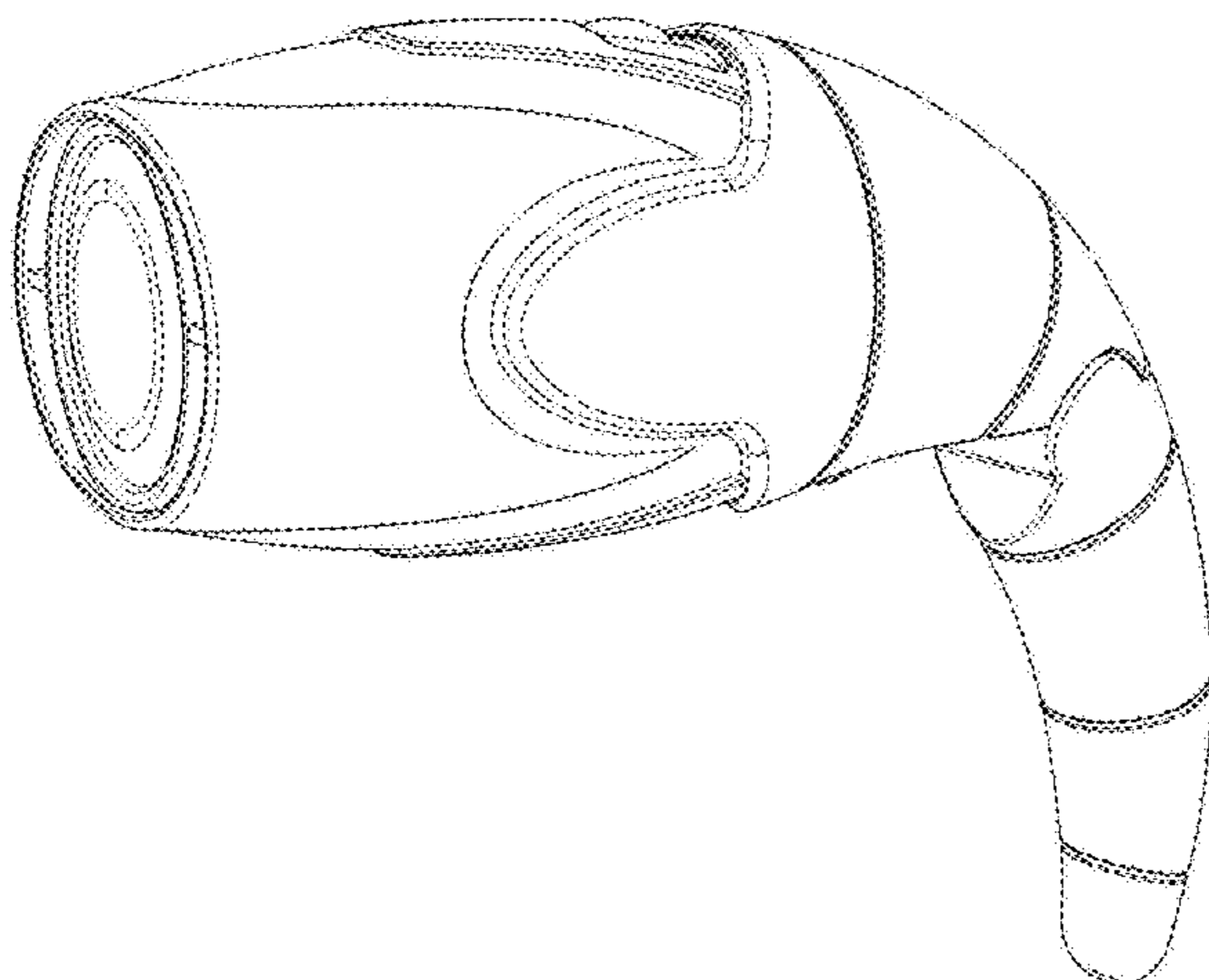
FIG. 11 is a top view thereof;

FIG. 12 is a rear perspective view thereof;

FIG. 13 is a rear view thereof; and,

FIG. 14 is a bottom view thereof.

1 Claim, 14 Drawing Sheets



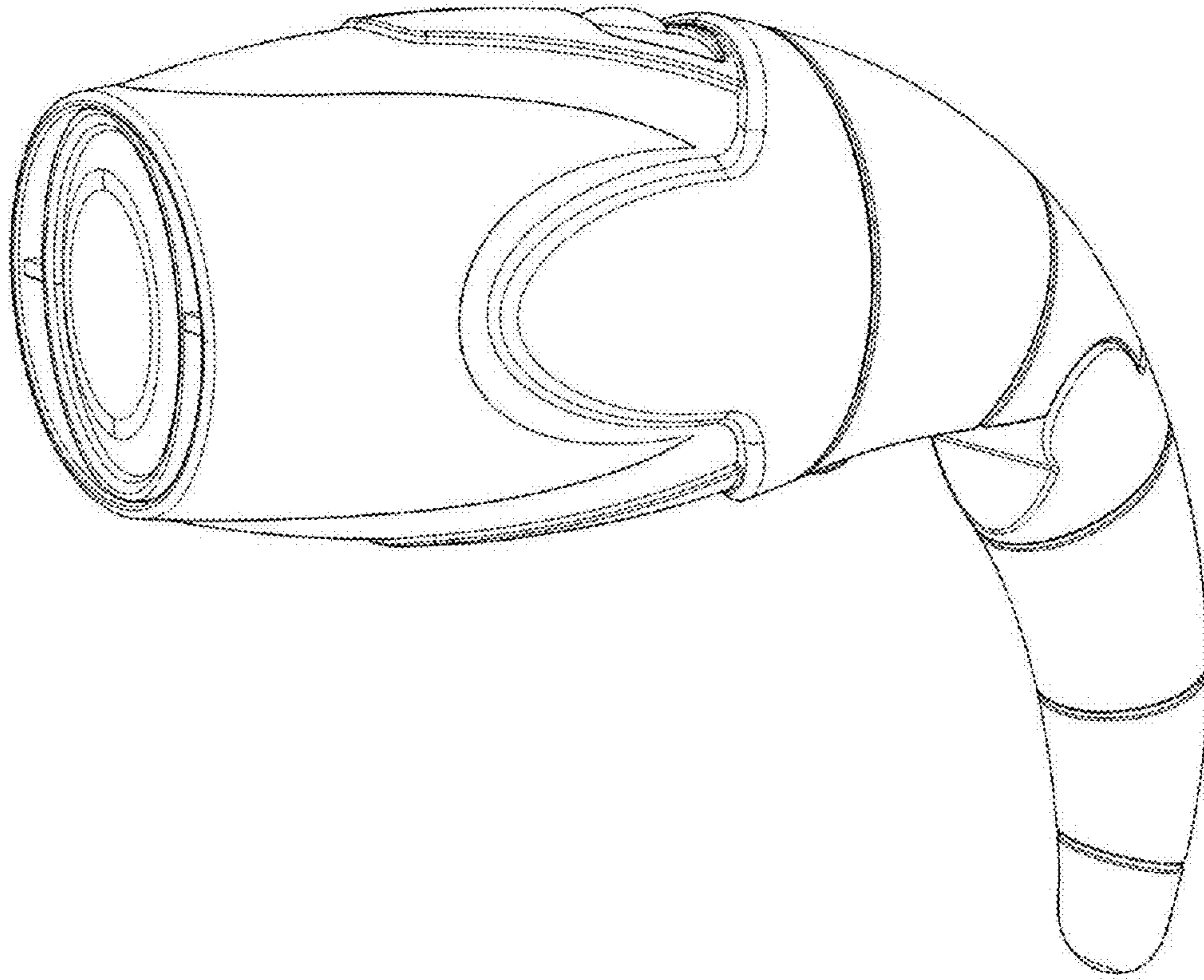


FIG. 1

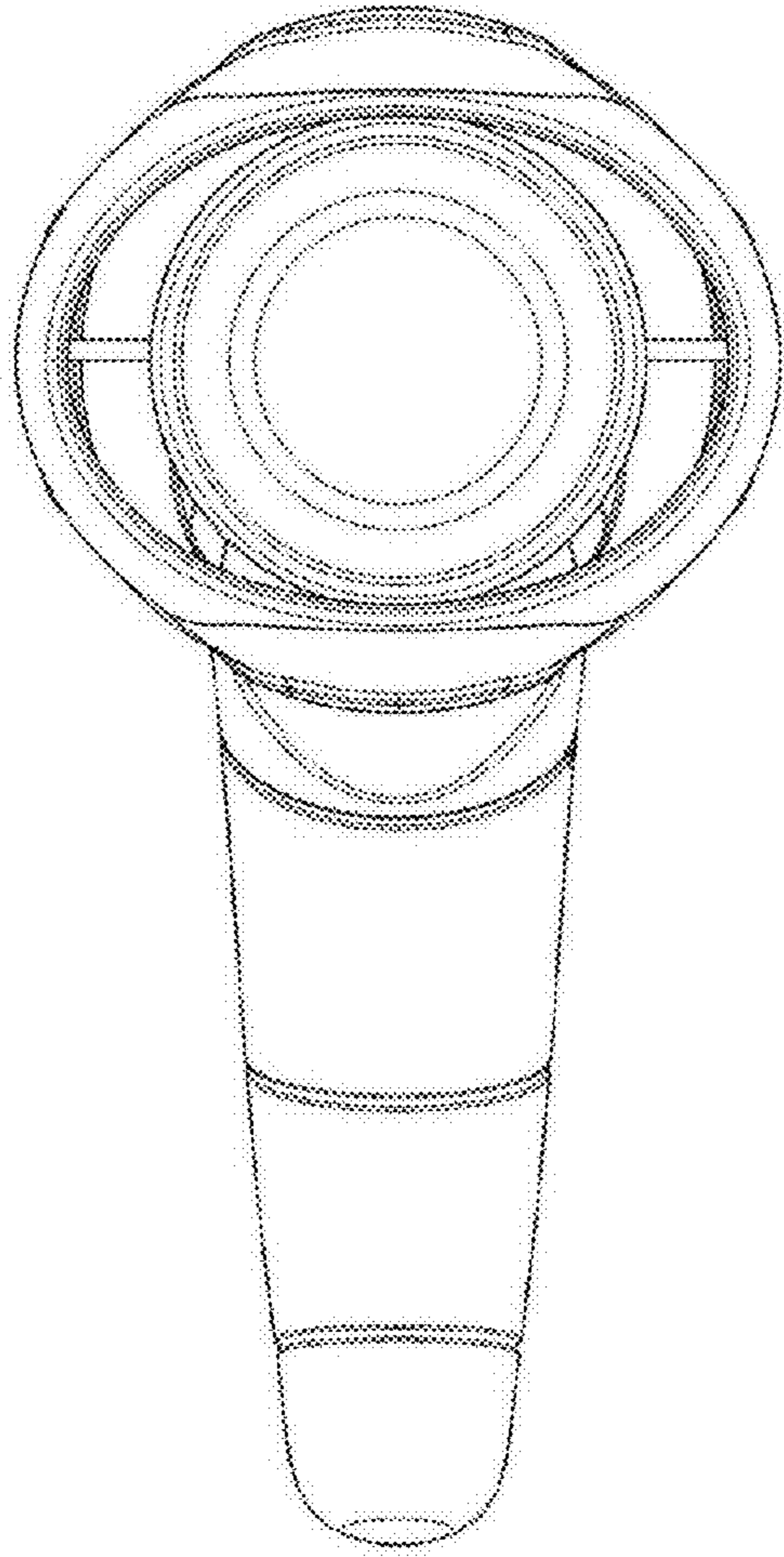


FIG. 2

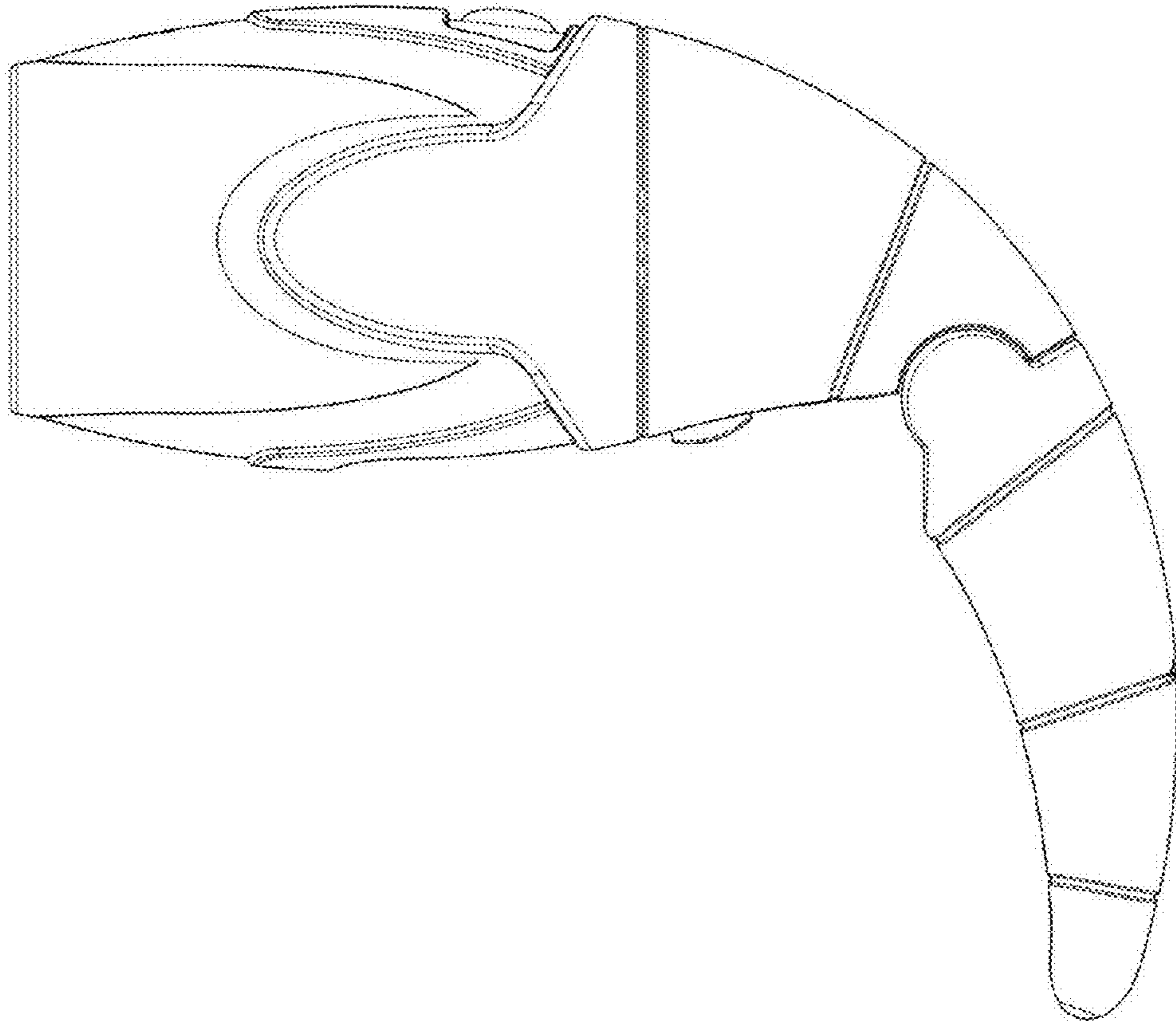


FIG. 3

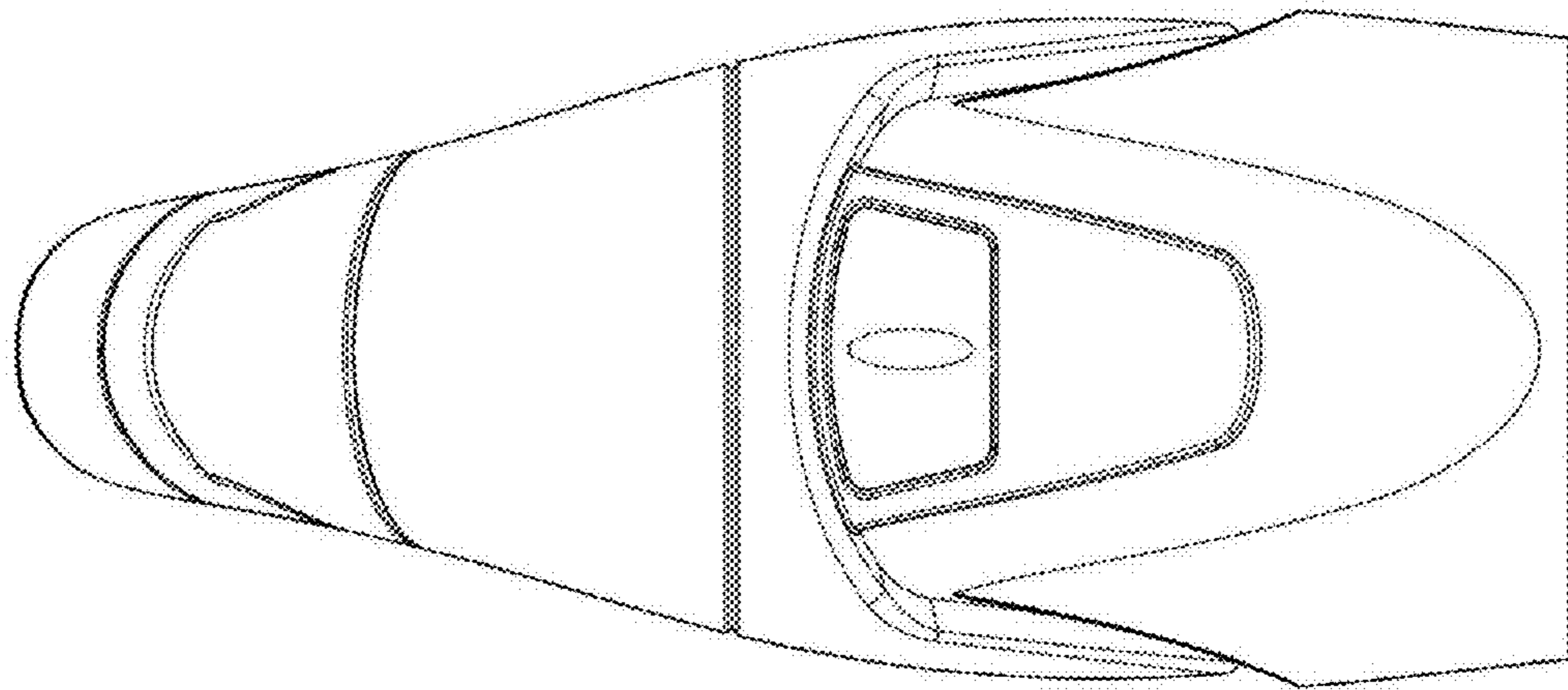


FIG. 4

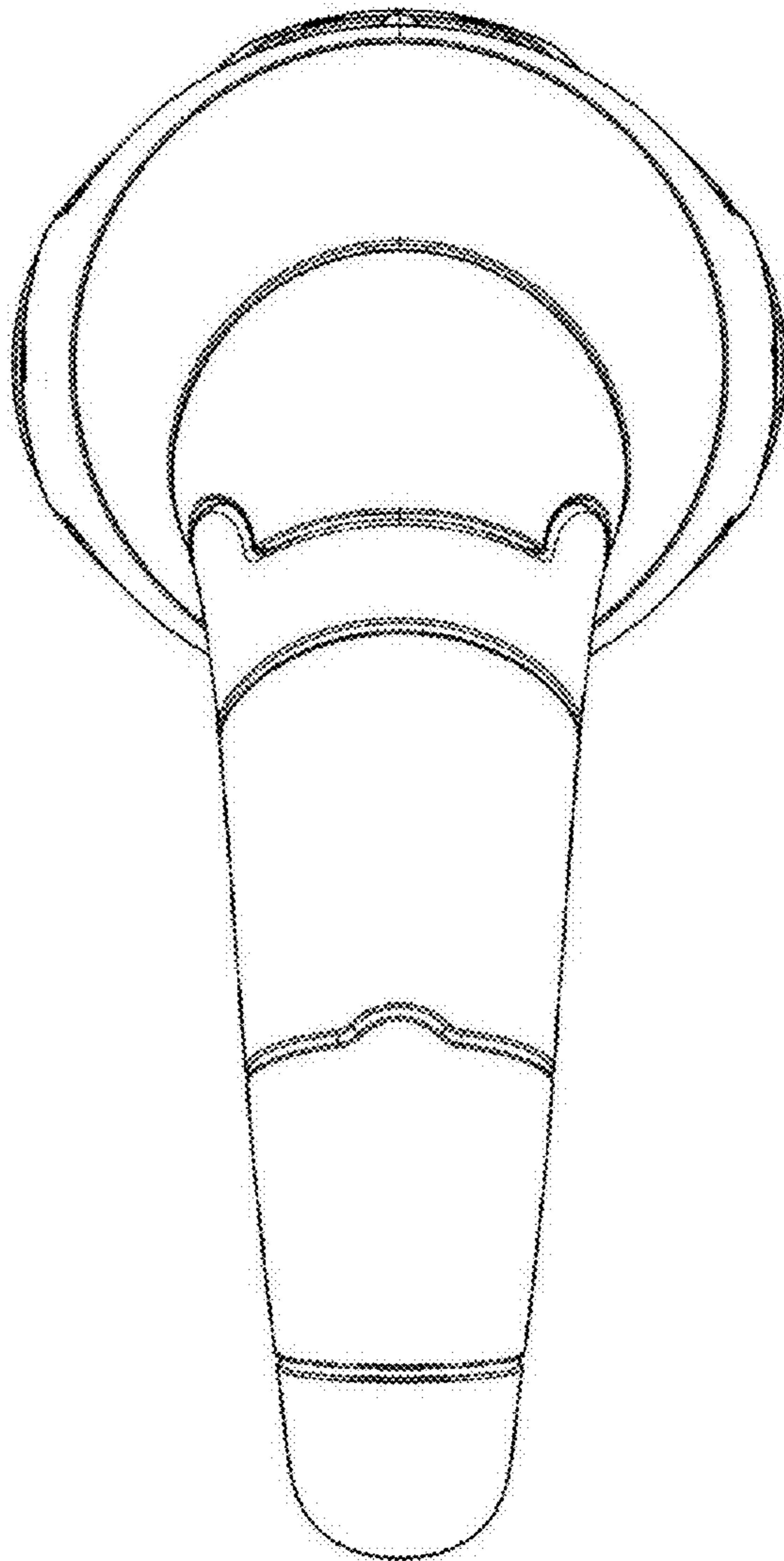


FIG. 5



FIG. 6

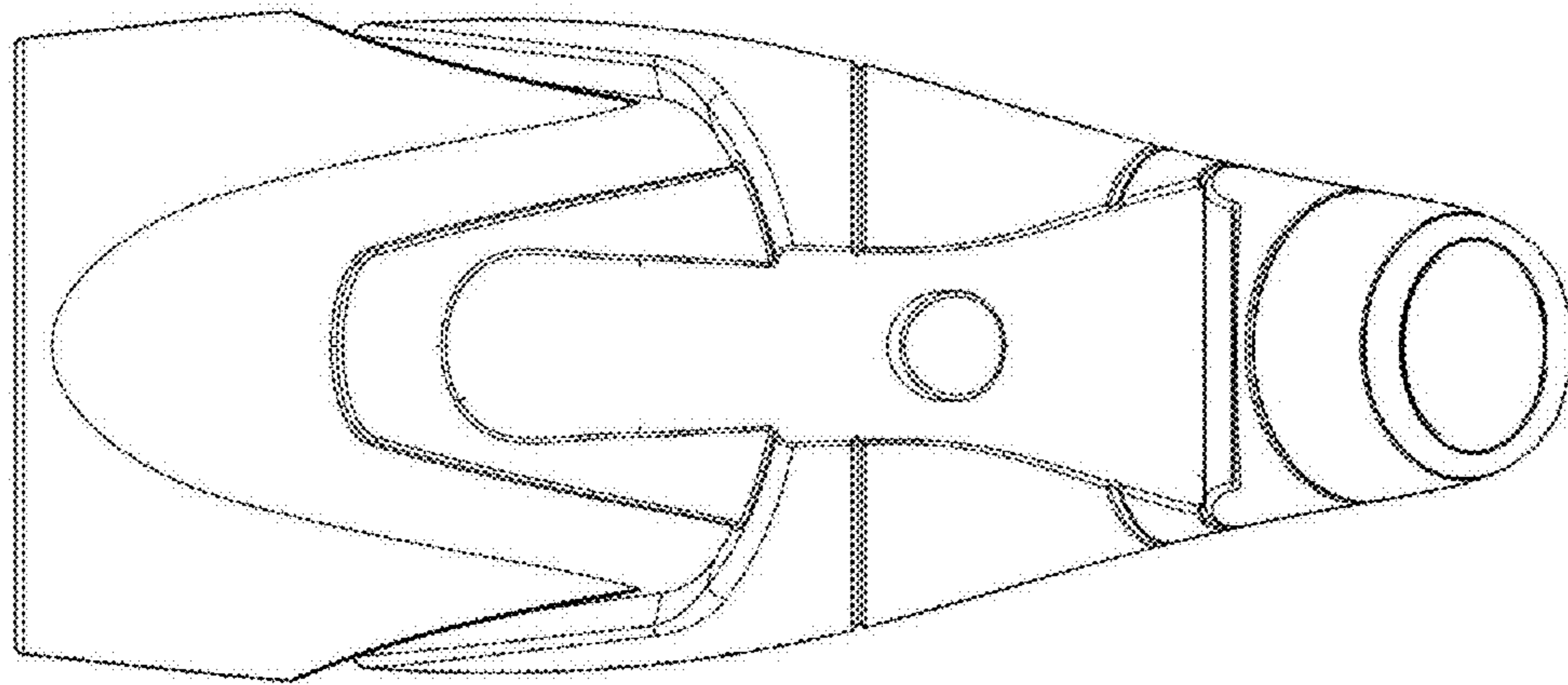


FIG. 7

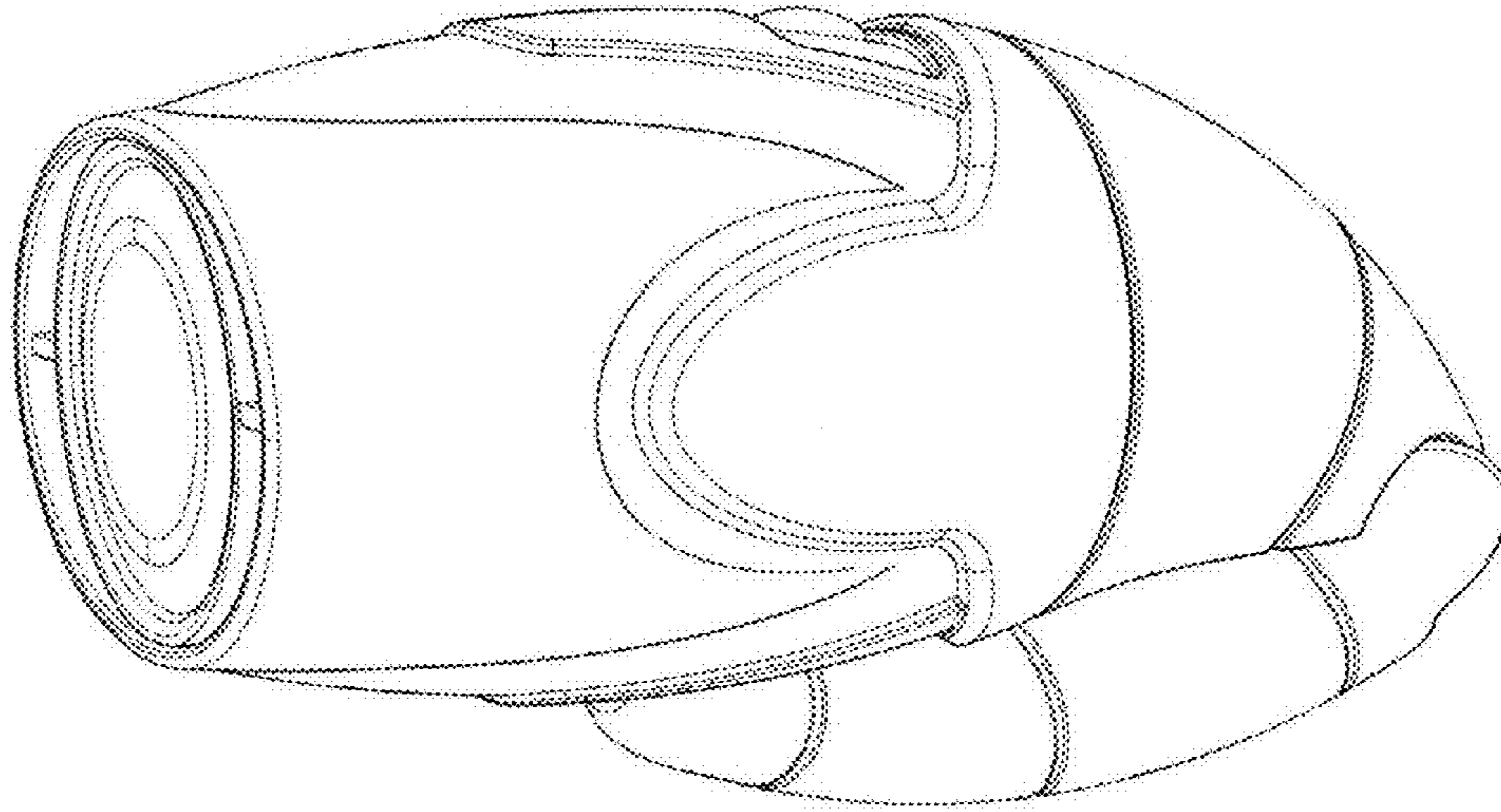


FIG. 8

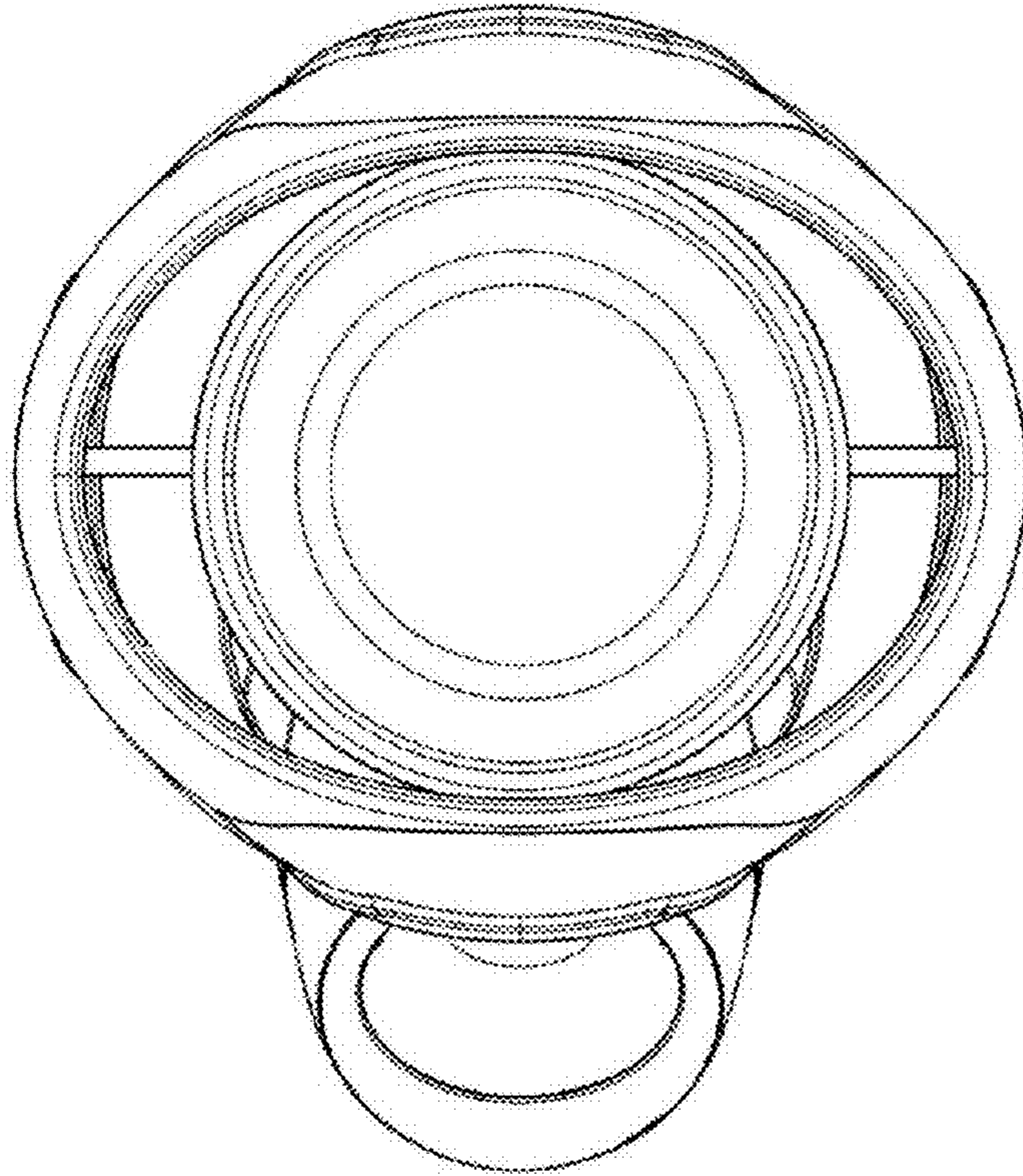


FIG. 9

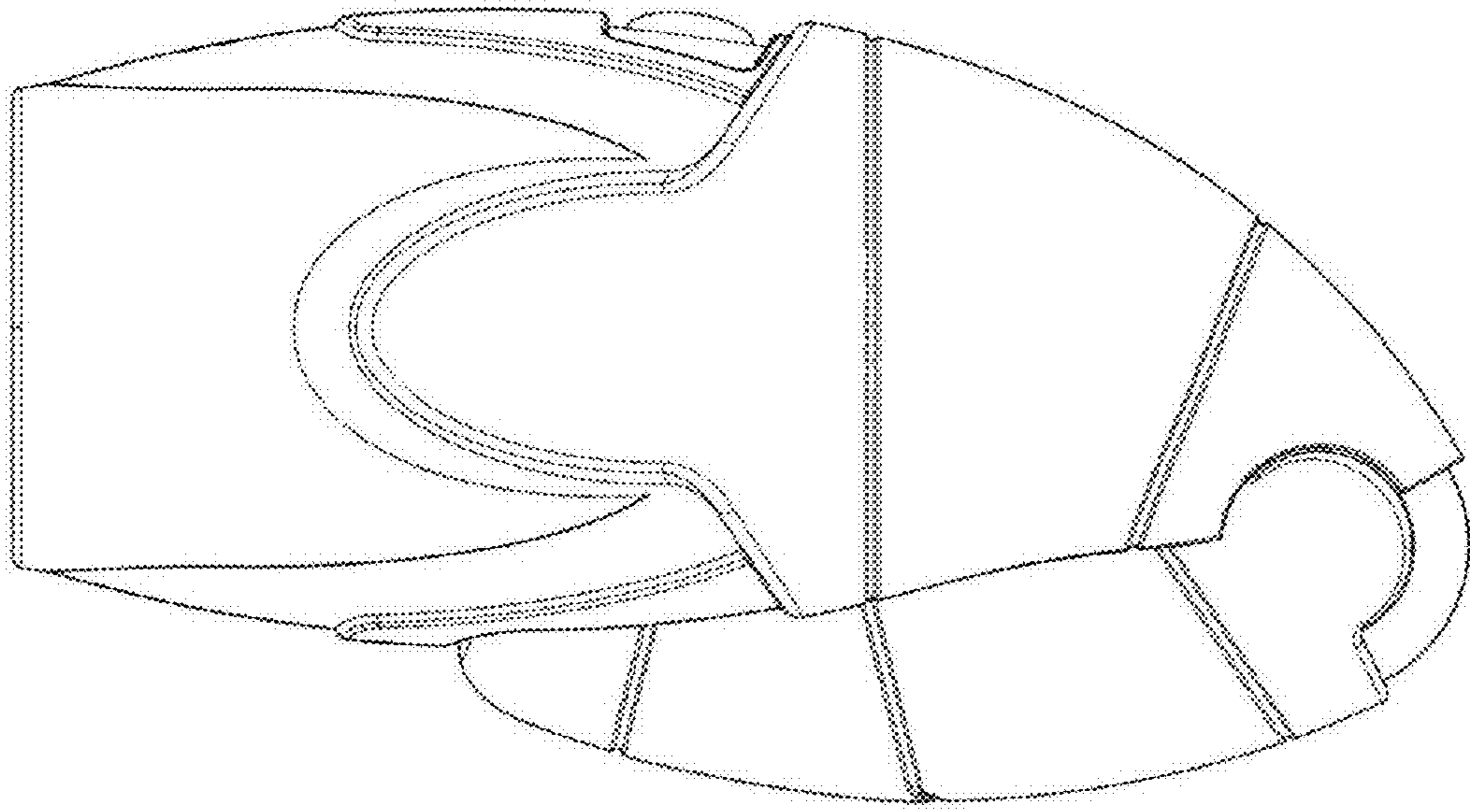


FIG. 10

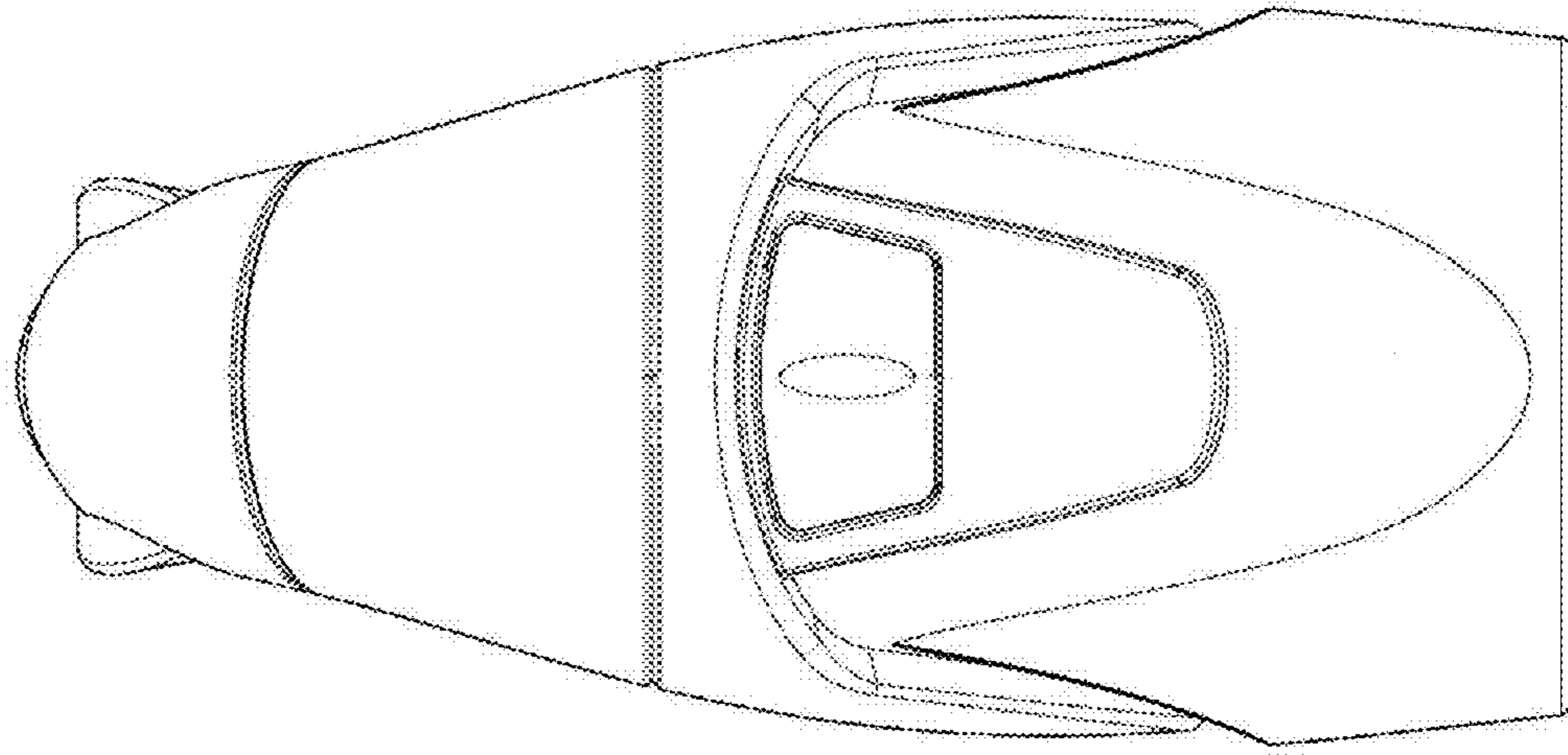


FIG. 11

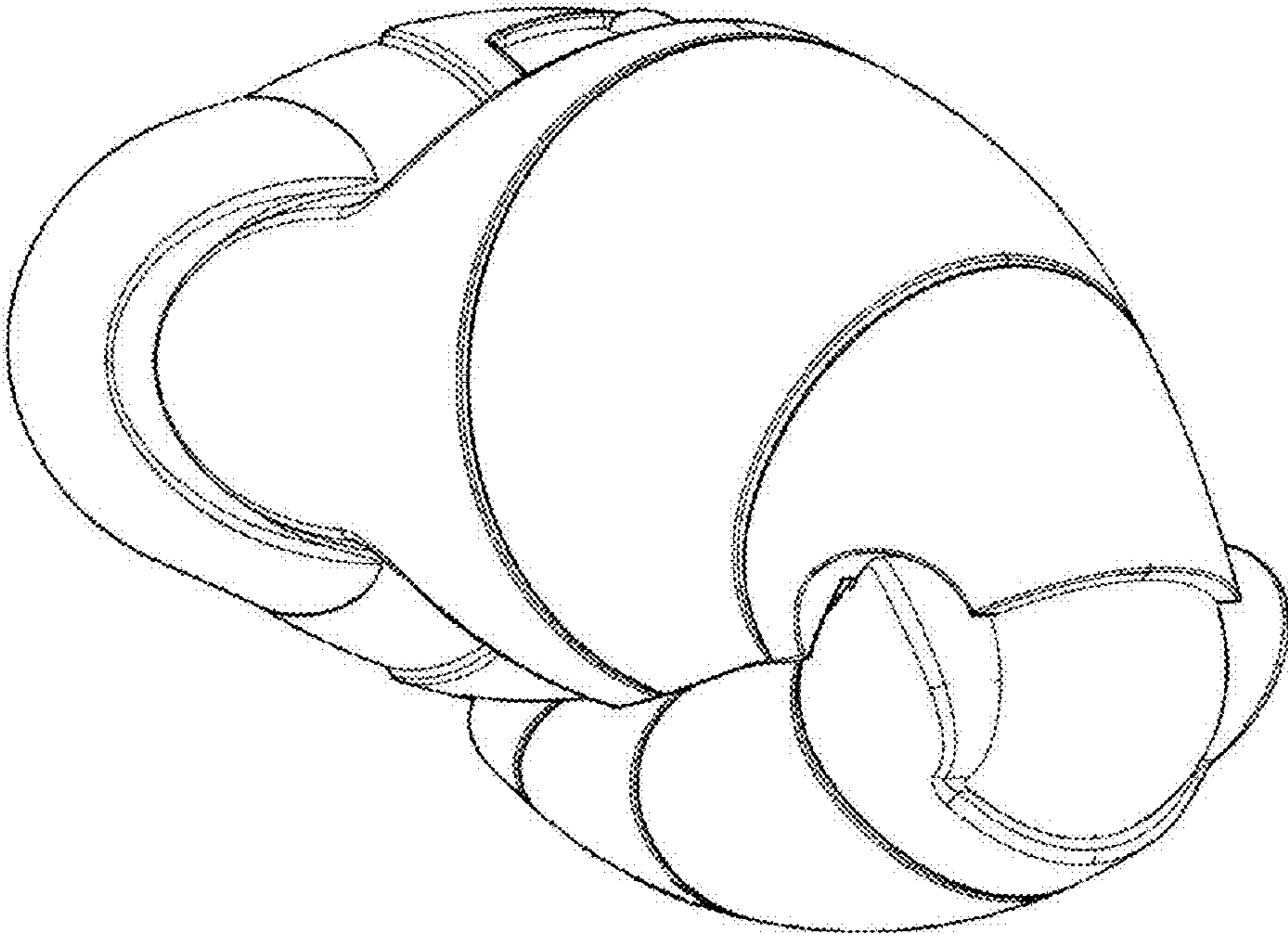


FIG. 12

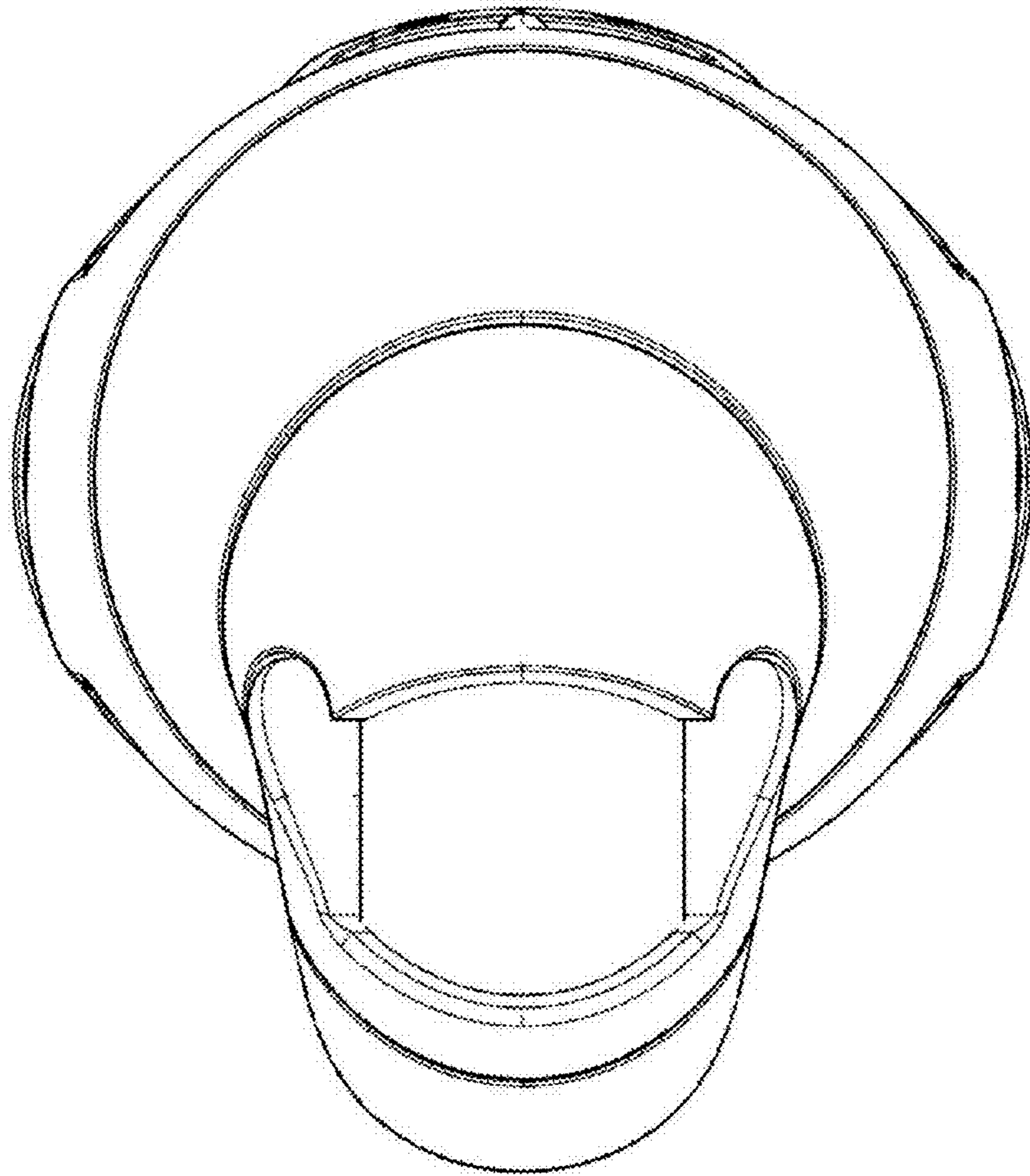


FIG. 13

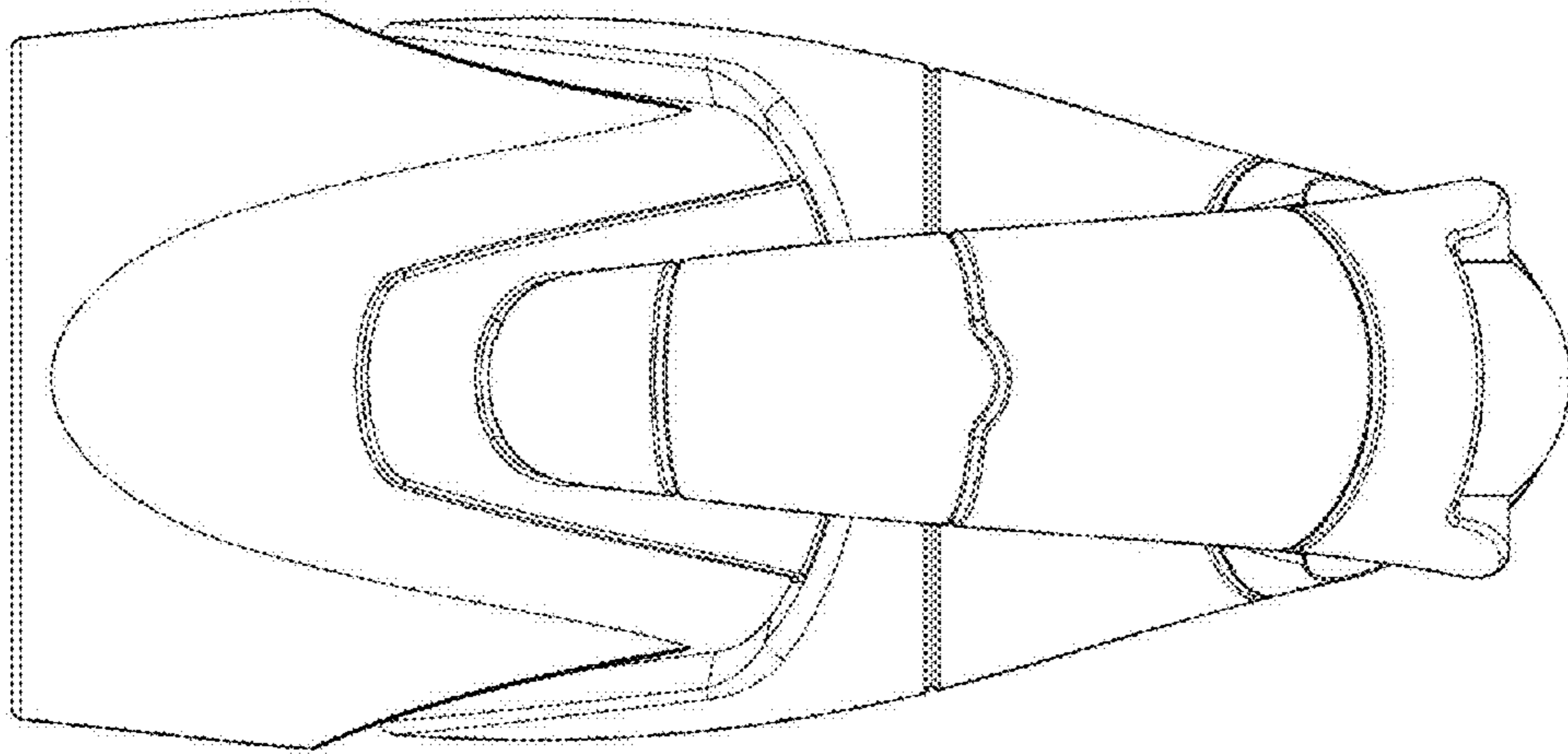


FIG. 14