



US00D774251S

(12) **United States Design Patent** (10) **Patent No.:** **US D774,251 S**
McLenithan (45) **Date of Patent:** **** Dec. 13, 2016**

(54) **DETERGENT POUCH**

- (71) Applicant: **MULTI-PACK SOLUTIONS LLC**,
Mt. Prospect, IL (US)
- (72) Inventor: **Thomas McLenithan**, Mt. Prospect, IL
(US)
- (73) Assignee: **Multi-Pack Solutions LLC**, Mt.
Prospect, IL (US)
- (**) Term: **15 Years**
- (21) Appl. No.: **29/545,200**
- (22) Filed: **Nov. 10, 2015**
- (51) **LOC (10) Cl.** **28-03**
- (52) **U.S. Cl.**
USPC **D28/8.1**
- (58) **Field of Classification Search**
USPC D28/8.1-8.2, 4; D9/425, 702, 707
(Continued)

(56) **References Cited**

U.S. PATENT DOCUMENTS

- 2,245,738 A 2/1940 Taylor
 - D215,248 S 9/1969 Viitanen
- (Continued)

OTHER PUBLICATIONS

- U.S. Appl. No. 29/529,447, filed Jun. 8, 2015 (30 pages).
- U.S. Appl. No. 29/530,968, filed Jun. 22, 2015 (32 pages).

Primary Examiner — Jennifer Rivard
(74) *Attorney, Agent, or Firm* — Polsinelli PC

(57) **CLAIM**

The ornamental design for a detergent pouch, as shown and described.

DESCRIPTION

FIG. 1 is a perspective view of the detergent pouch;
FIG. 2 is a top view of the detergent pouch;

FIG. 3 is a bottom view of the detergent pouch;
 FIG. 4 is a front view of the detergent pouch;
 FIG. 5 is a rear view of the detergent pouch;
 FIG. 6 is a first side view of the detergent pouch;
 FIG. 7 is a second side view of the detergent pouch;
 FIG. 8 is a perspective view of a second embodiment of the detergent pouch;
 FIG. 9 is a top view of the second embodiment of the detergent pouch;
 FIG. 10 is a bottom view of the second embodiment of the detergent pouch;
 FIG. 11 is a front view of the second embodiment of the detergent pouch;
 FIG. 12 is a rear view of the second embodiment of the detergent pouch;
 FIG. 13 is a first side view of the second embodiment of the detergent pouch;
 FIG. 14 is a second side view of the second embodiment of the detergent pouch;
 FIG. 15 is a perspective view of a third embodiment of the detergent pouch;
 FIG. 16 is a top view of the third embodiment of the detergent pouch;
 FIG. 17 is a bottom view of the third embodiment of the detergent pouch;
 FIG. 18 is a front view of the third embodiment of the detergent pouch;
 FIG. 19 is a rear view of the third embodiment of the detergent pouch;
 FIG. 20 is a first side view of the third embodiment of the detergent pouch;
 FIG. 21 is a second side view of the third embodiment of the detergent pouch;
 FIG. 22 is a perspective view of a fourth embodiment of the detergent pouch;
 FIG. 23 is a top view of the fourth embodiment of the detergent pouch;
 FIG. 24 is a bottom view of the fourth embodiment of the detergent pouch;
 FIG. 25 is a front view of the fourth embodiment of the detergent pouch;
 FIG. 26 is a rear view of the fourth embodiment of the detergent pouch;

(Continued)

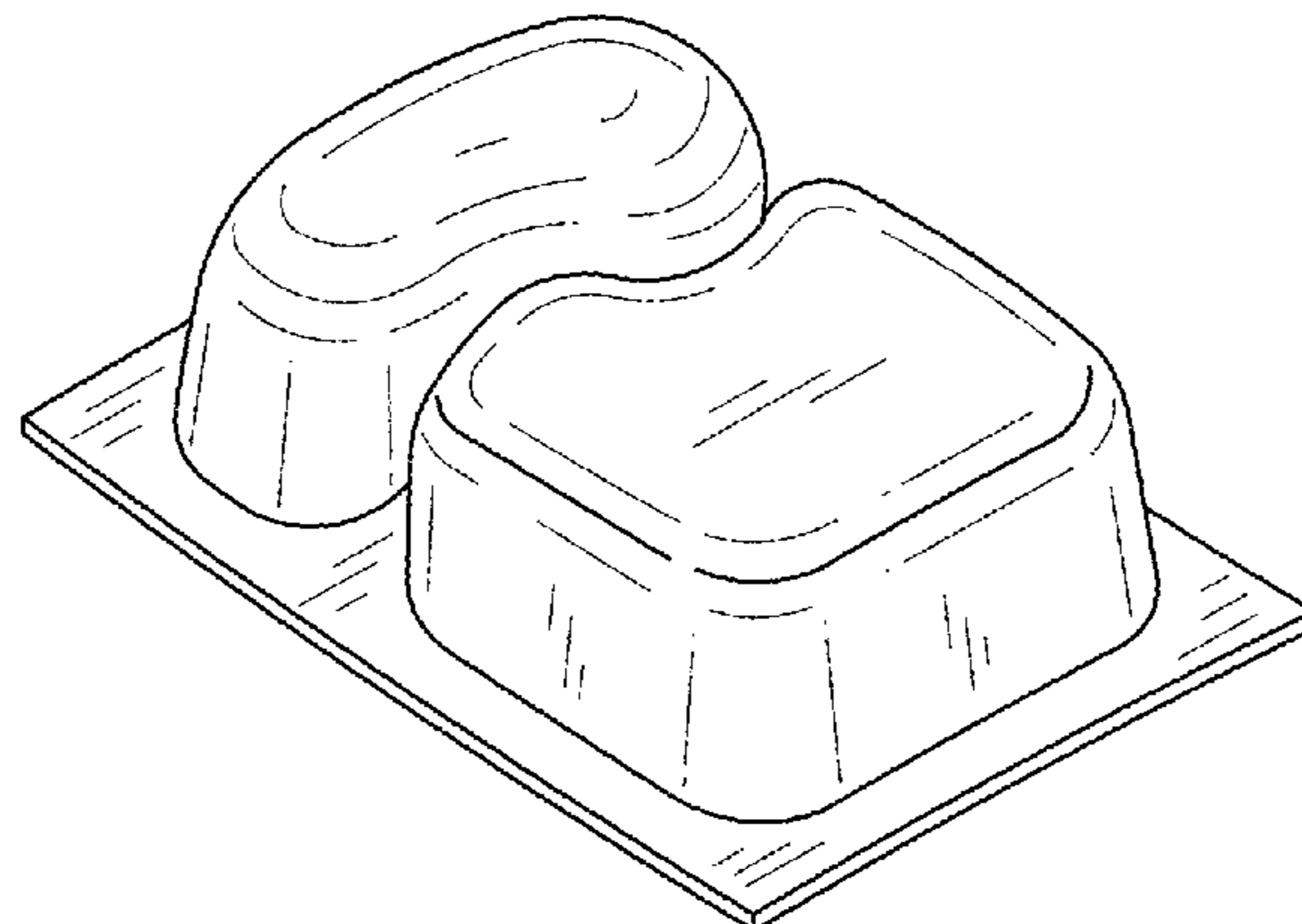


FIG. 27 is a first side view of the fourth embodiment of the detergent pouch;
 FIG. 28 is a second side view of the fourth embodiment of the detergent pouch;
 FIG. 29 is a perspective view of a fifth embodiment of the detergent pouch;
 FIG. 30 is a top view of the fifth embodiment of the detergent pouch;
 FIG. 31 is a bottom view of the fifth embodiment of the detergent pouch;
 FIG. 32 is a front view of the fifth embodiment of the detergent pouch;
 FIG. 33 is a rear view of the fifth embodiment of the detergent pouch;
 FIG. 34 is a first side view of the fifth embodiment of the detergent pouch; and,
 FIG. 35 is a second side view of the fifth embodiment of the detergent pouch.

1 Claim, 15 Drawing Sheets

(58) **Field of Classification Search**

CPC C11D 17/04-17/045; C11D
 17/0047-17/0091; C11D 17/0095; C11D
 17/00; C11D 17/0004; C11D
 17/0008; C11D 17/0017; C11D
 17/0021-17/0039

See application file for complete search history.

(56) **References Cited**

U.S. PATENT DOCUMENTS

D365,191 S 12/1995 Bradfield et al.
 D407,640 S 4/1999 Nelson et al.
 D444,595 S 7/2001 Ide et al.
 D445,673 S 7/2001 Richardson
 D445,955 S 7/2001 Neergaard
 D452,754 S 1/2002 Neergaard
 D480,302 S 10/2003 McLeish
 D490,567 S 5/2004 McLeish
 D549,094 S 8/2007 Oner et al.
 D556,947 S 12/2007 Seum et al.
 D558,922 S 1/2008 Schwartz et al.
 D559,441 S 1/2008 Schwartz et al.

D564,899 S 3/2008 Hardy
 D565,244 S 3/2008 Schwartz et al.
 D577,606 S 9/2008 Friedland et al.
 D583,180 S 12/2008 Haile
 D599,056 S 8/2009 Schwartz et al.
 D613,181 S 4/2010 Friedland et al.
 D617,654 S 6/2010 Tawinsook
 D621,718 S 8/2010 Mehdizadeh
 D622,157 S 8/2010 Mehdizadeh
 D624,785 S 10/2010 Rousselin
 D639,183 S 6/2011 Nixon
 D639,184 S 6/2011 Nixon
 D640,934 S 7/2011 Nixon
 D648,064 S 11/2011 Pflug et al.
 D649,710 S * 11/2011 Mehdizadeh D28/8.1
 D651,340 S 12/2011 Heidel et al.
 D653,392 S 1/2012 Pflug et al.
 D659,902 S * 5/2012 Mehdizadeh D28/8.1
 D662,657 S 6/2012 Nixon
 D662,658 S 6/2012 Nixon
 D662,659 S 6/2012 Nixon
 D663,069 S 7/2012 Nixon
 D665,530 S 8/2012 Gaertner
 D679,862 S * 4/2013 Sunder D28/8.1
 D679,863 S 4/2013 Sunder
 D680,268 S 4/2013 Drought et al.
 D680,445 S 4/2013 Kopulos et al.
 D680,686 S 4/2013 Drought et al.
 D680,687 S 4/2013 Drought et al.
 D685,029 S 6/2013 Cooper et al.
 D689,240 S * 9/2013 Sunder D28/8.1
 D689,241 S 9/2013 Gerhards
 D695,451 S 12/2013 Gerhards
 D699,127 S 2/2014 Garrity et al.
 D703,064 S 4/2014 Warrington et al.
 D714,161 S * 9/2014 Crawford D9/707
 D728,157 S 4/2015 Sarb
 D733,962 S * 7/2015 Sunder D28/8.1
 D735,407 S 7/2015 Gerhards
 D735,408 S * 7/2015 Meier D28/8.1
 D735,409 S * 7/2015 Sunder D28/8.1
 D744,162 S * 11/2015 Sunder D28/8.1
 D748,330 S 1/2016 Gerhards
 D759,891 S * 6/2016 Sarb D28/8.1
 D760,433 S * 6/2016 Schmaelzle D28/8.1
 D760,434 S * 6/2016 Schmaelzle D28/8.1
 D760,435 S * 6/2016 Schmaelzle D28/8.1
 D760,436 S * 6/2016 Schmaelzle D28/8.1
 2006/0122088 A1 6/2006 Sadlowski et al.
 2014/0235522 A1 8/2014 Wiedemann et al.

* cited by examiner

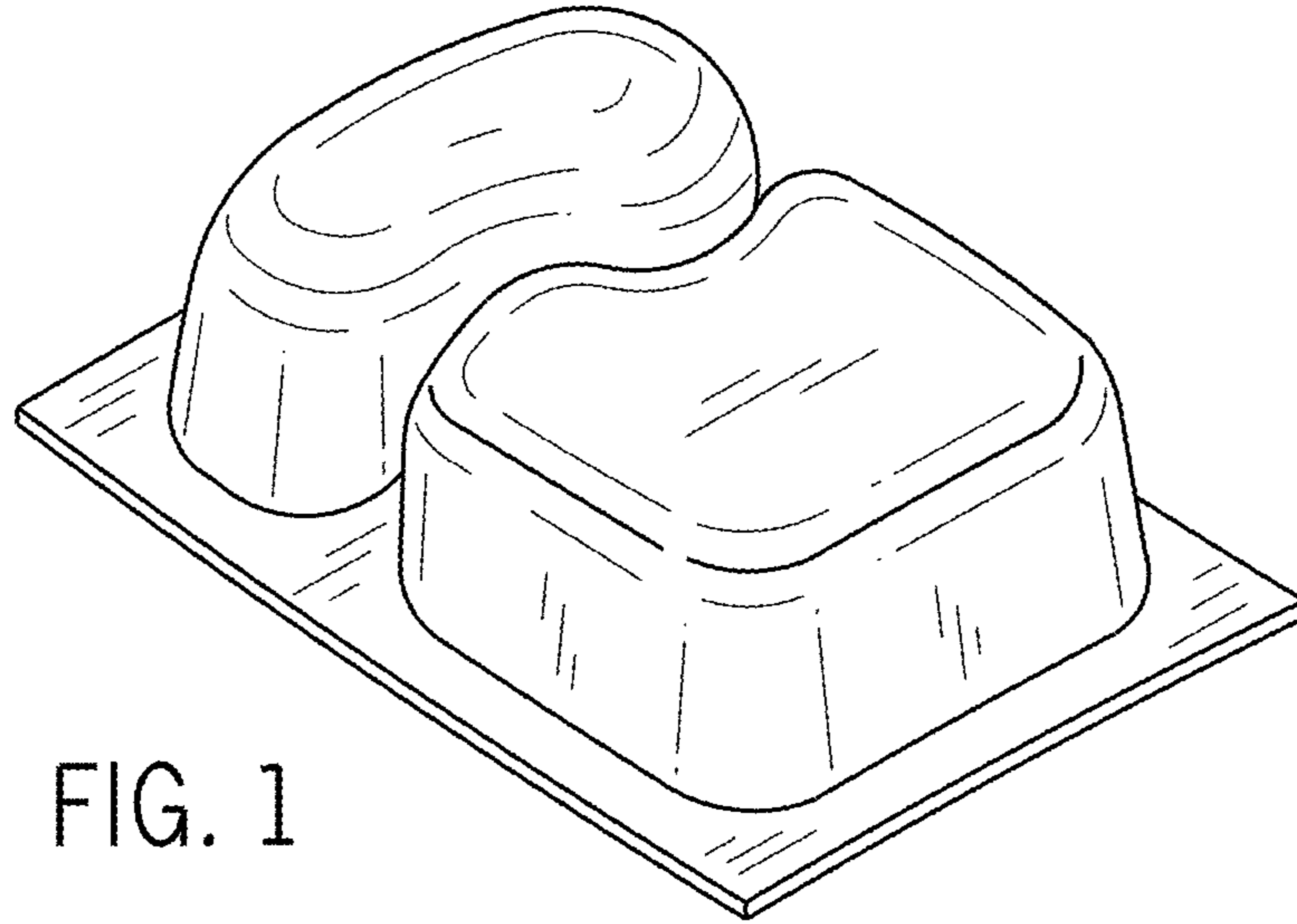


FIG. 1

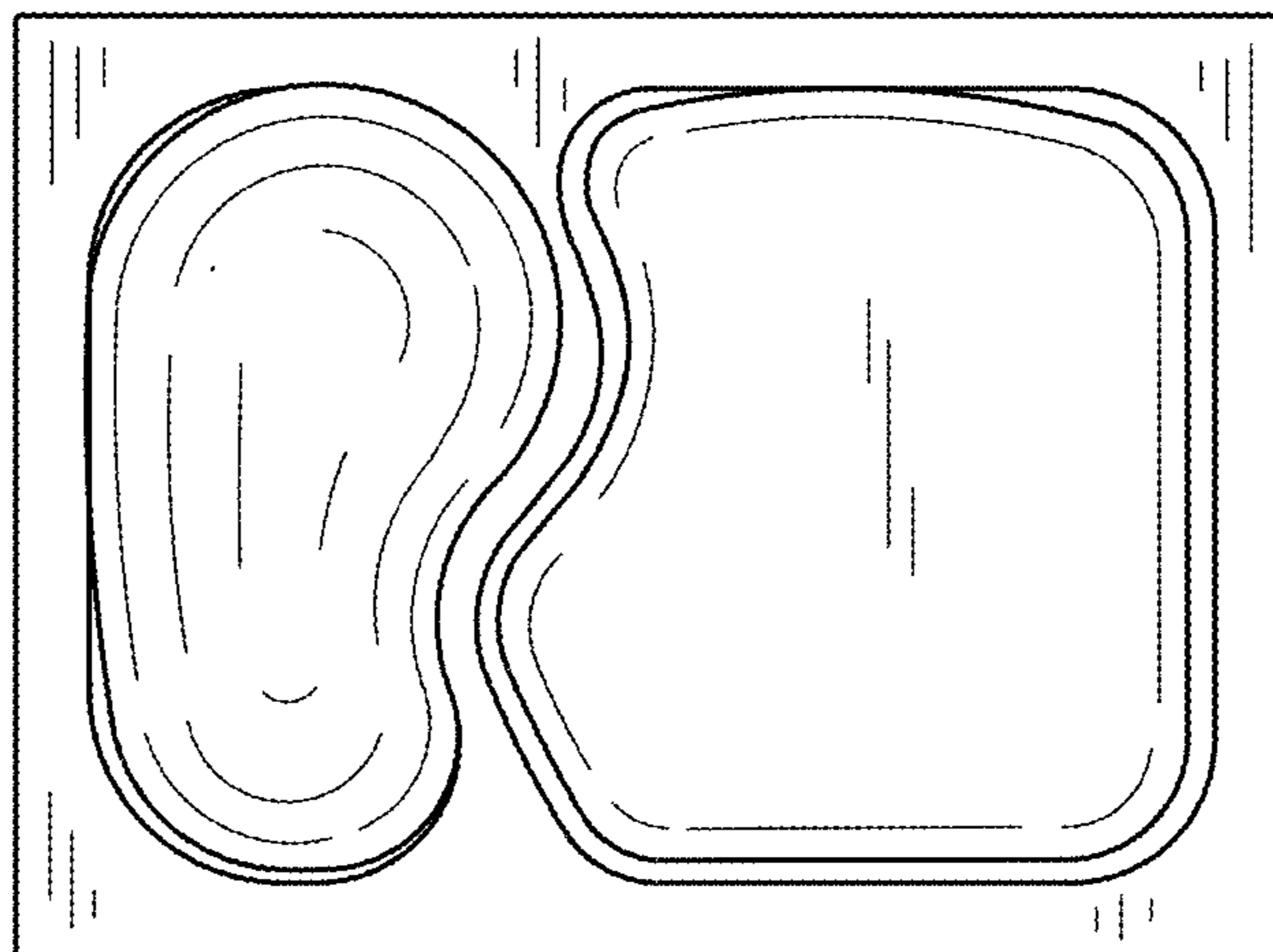


FIG. 2

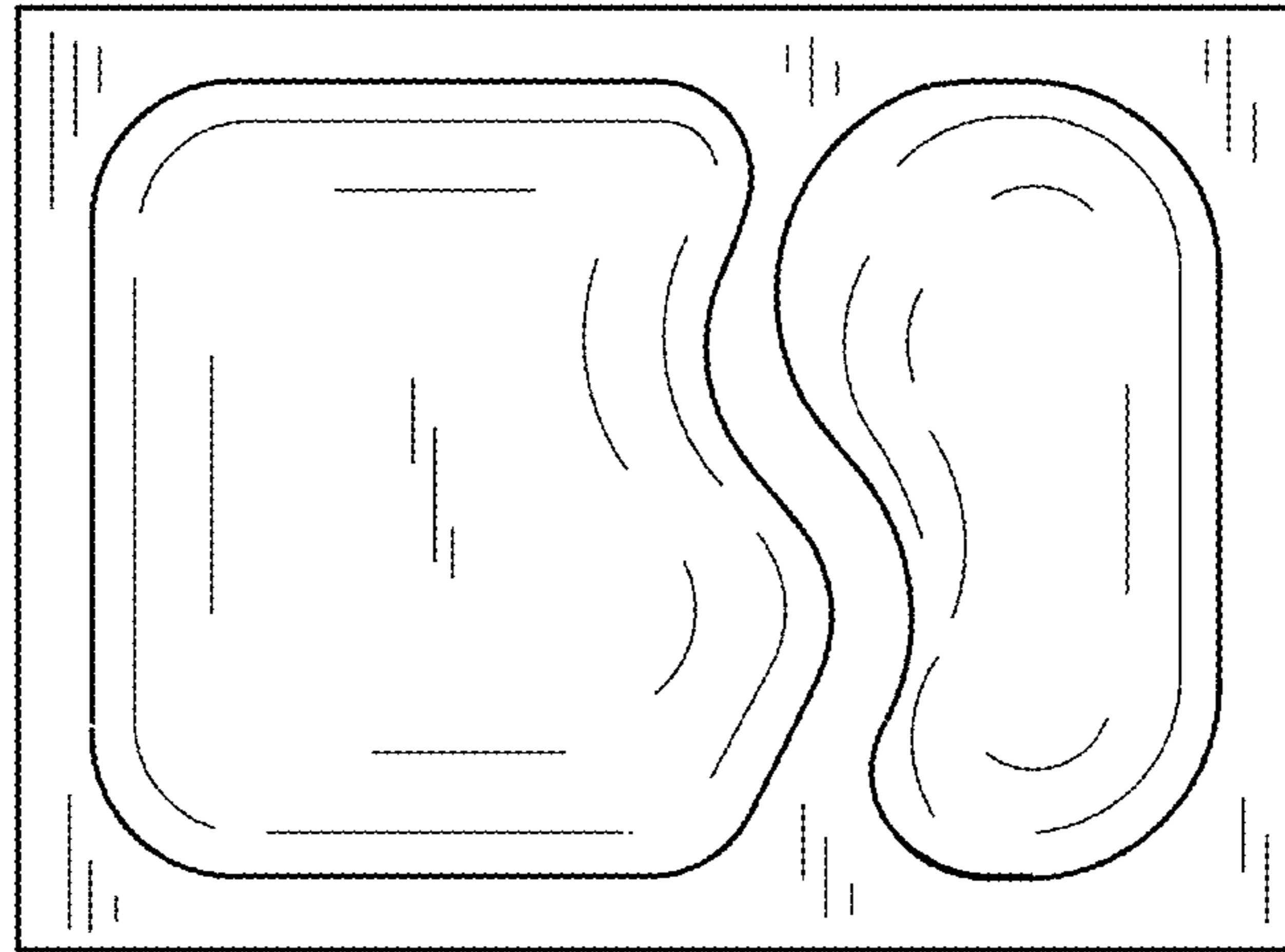


FIG. 3

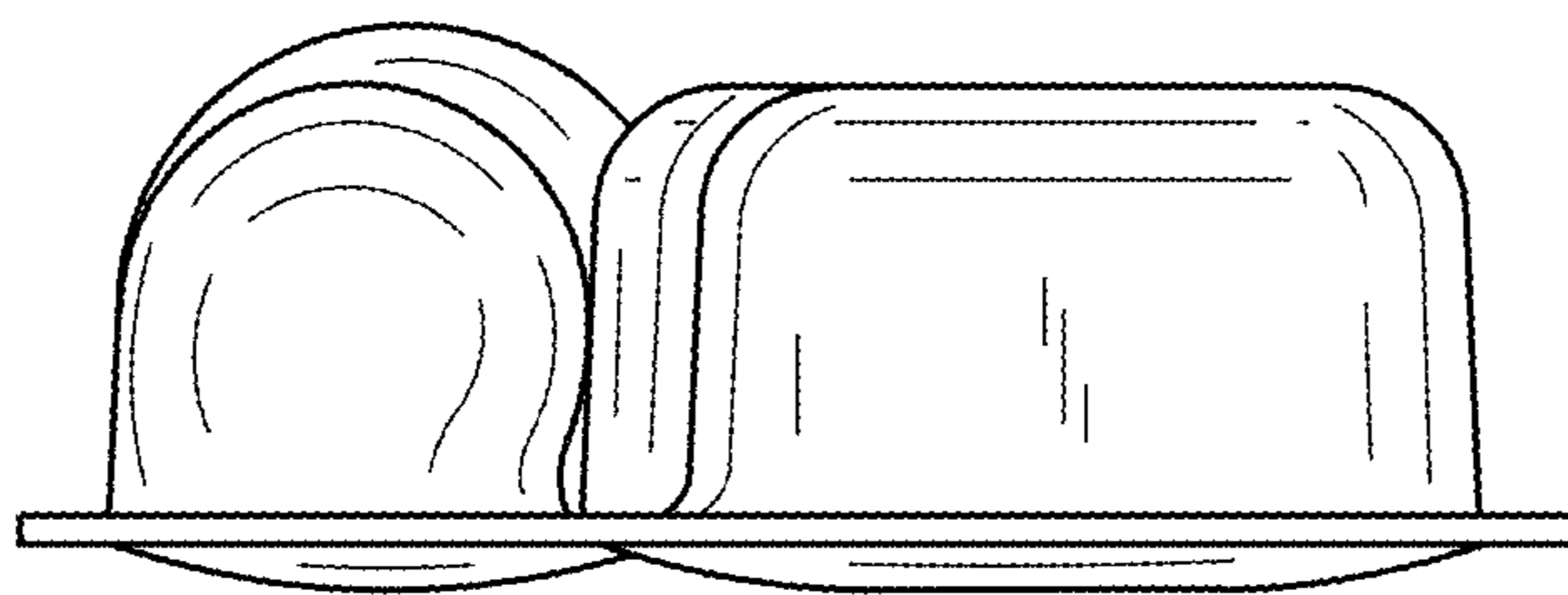


FIG. 4

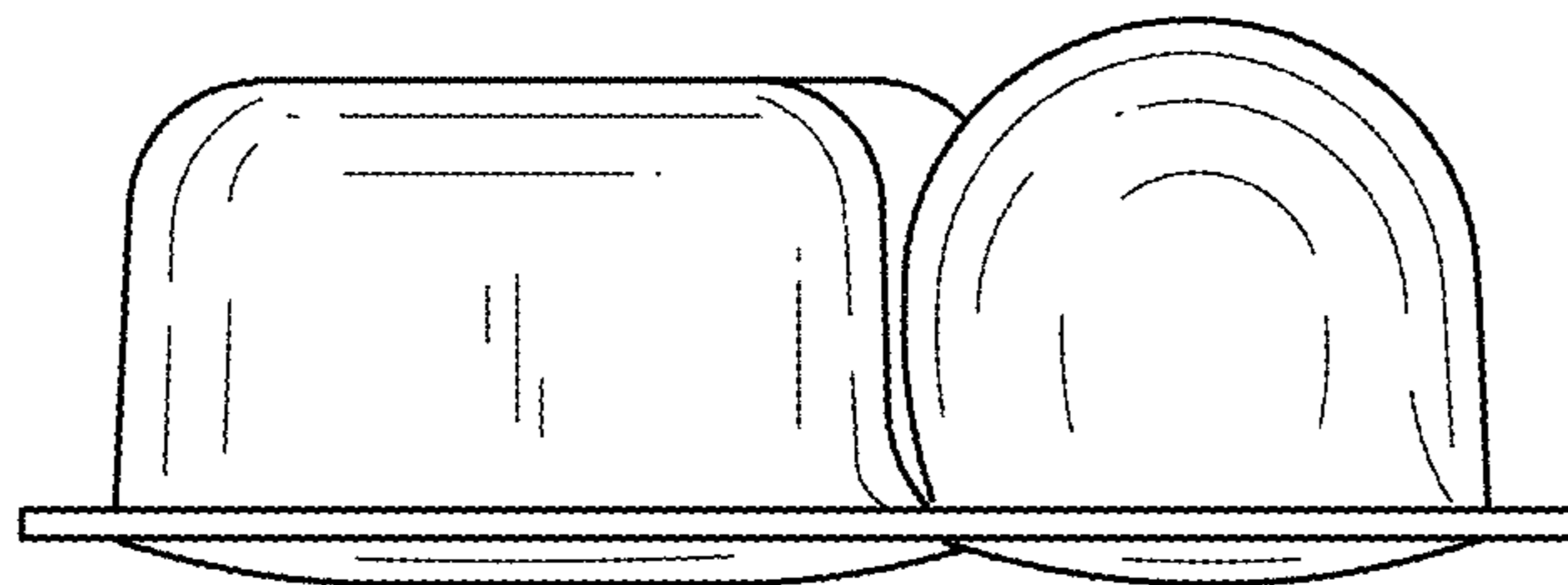


FIG. 5

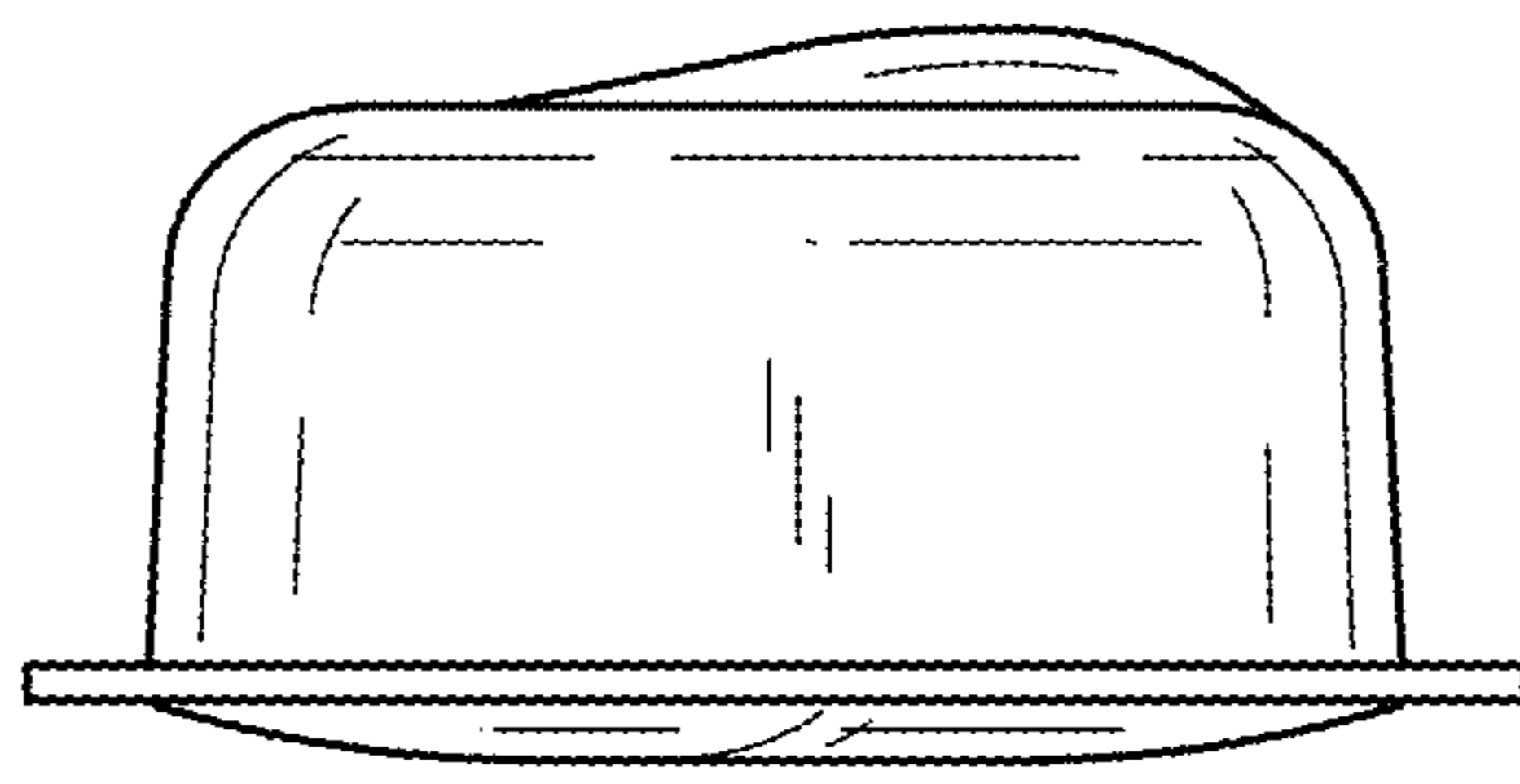


FIG. 6

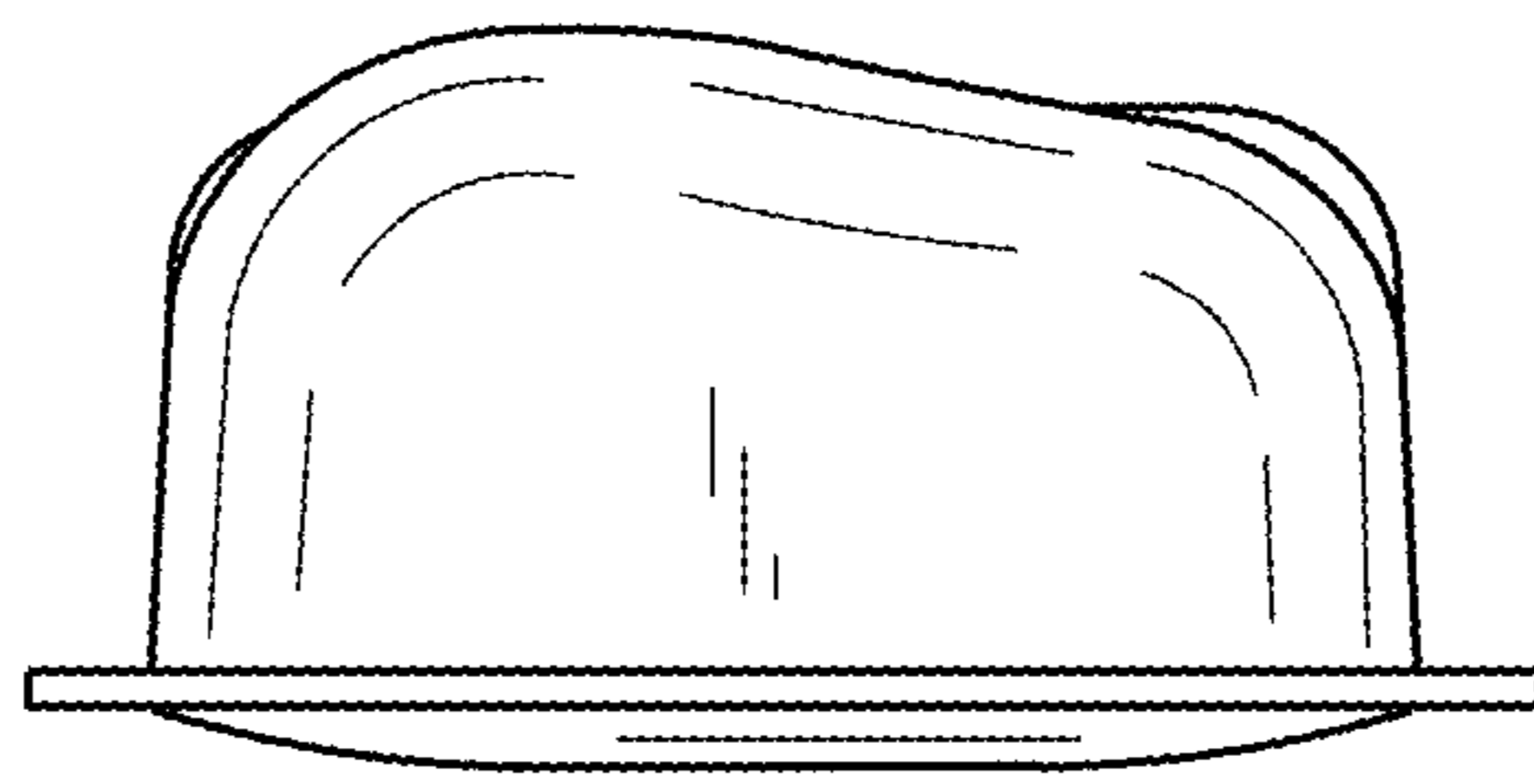


FIG. 7

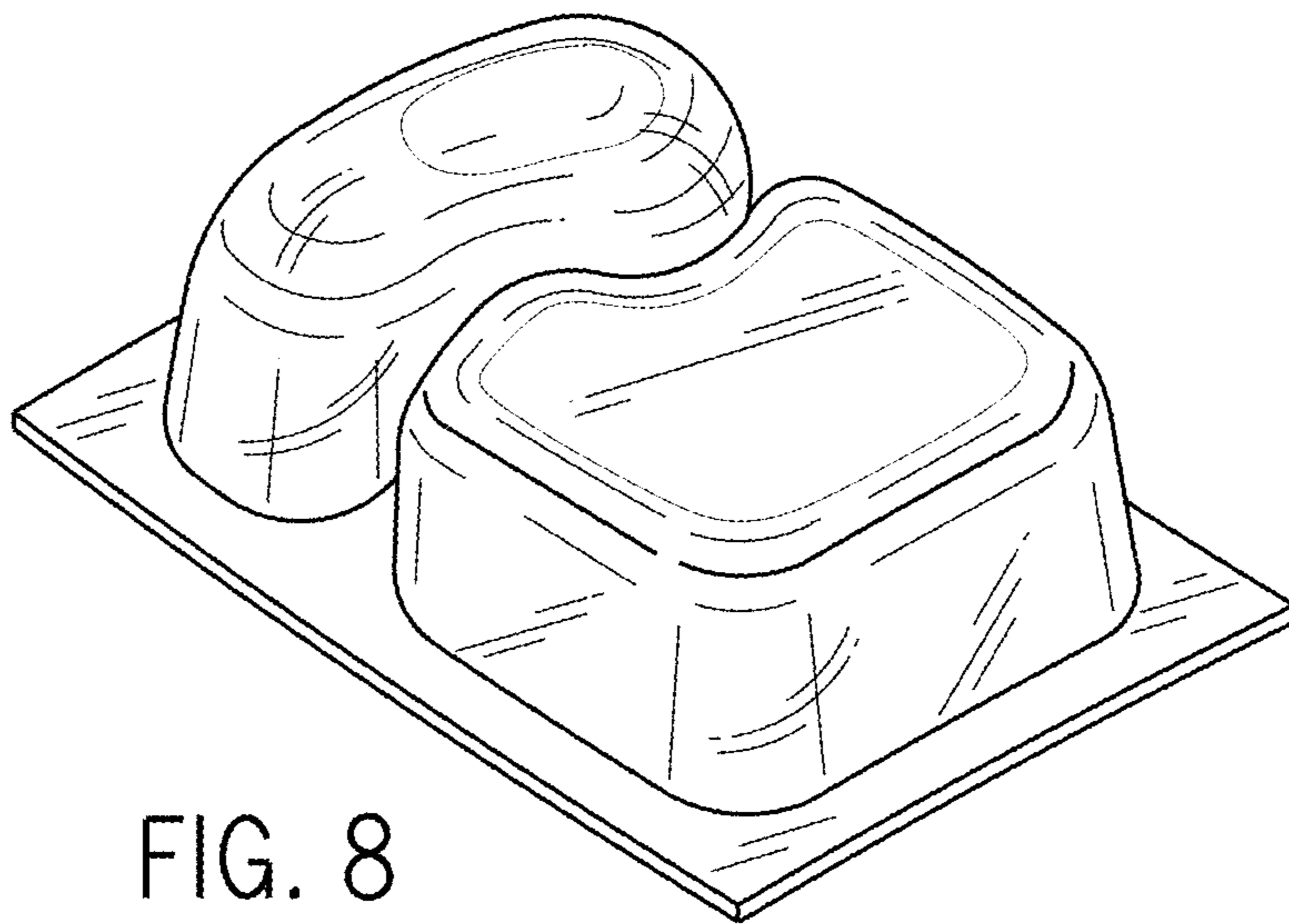


FIG. 8

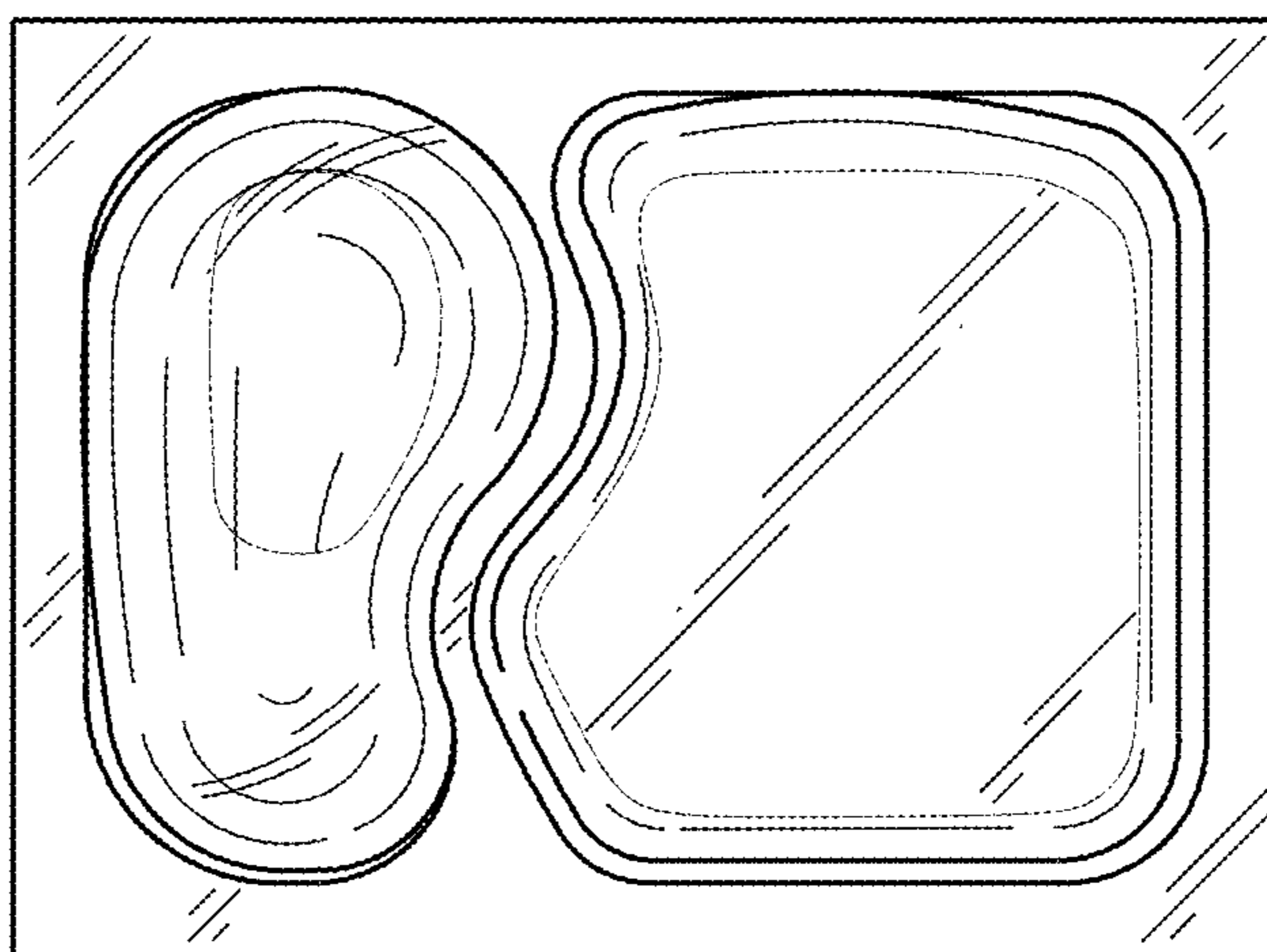


FIG. 9

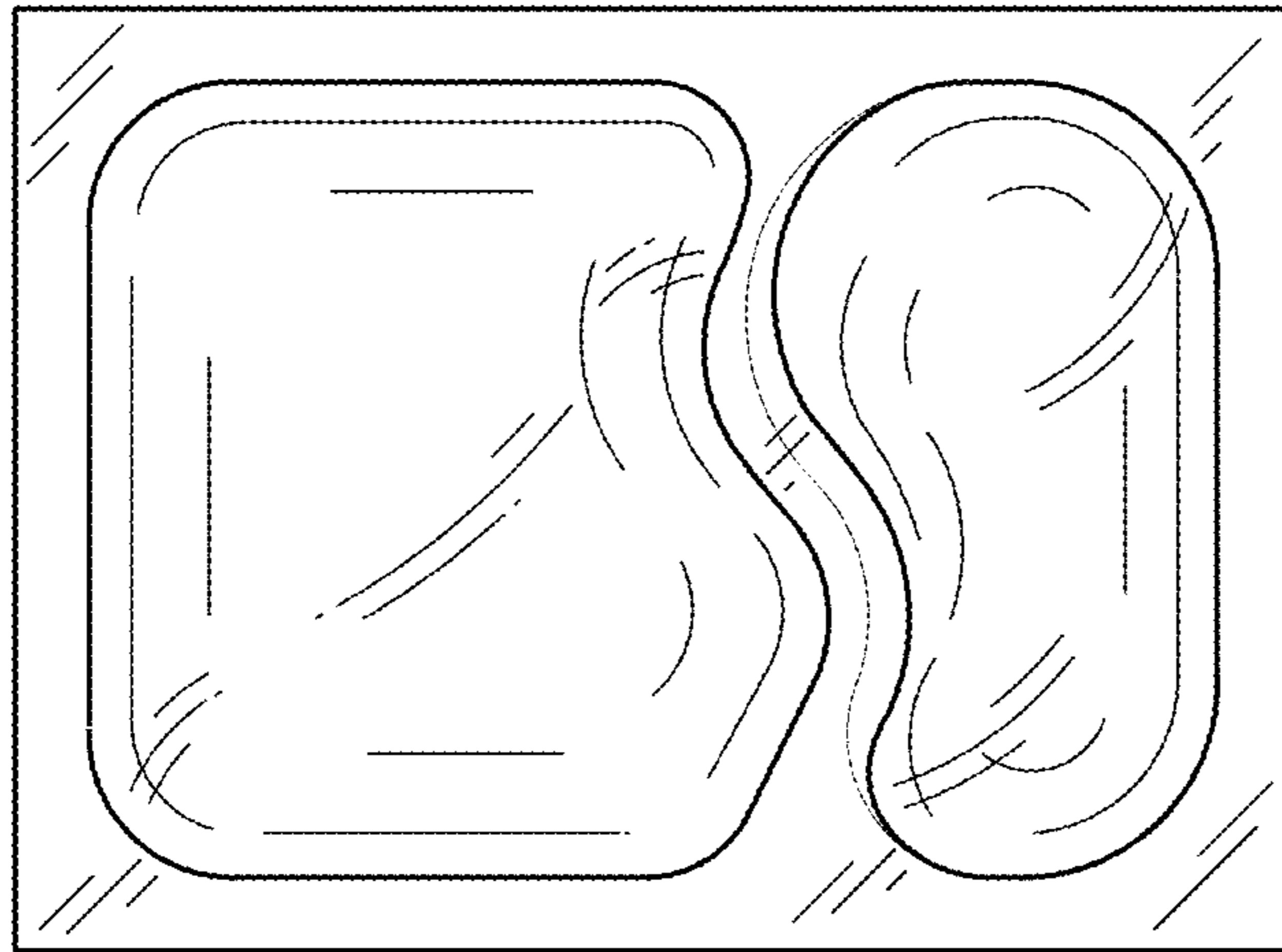


FIG. 10

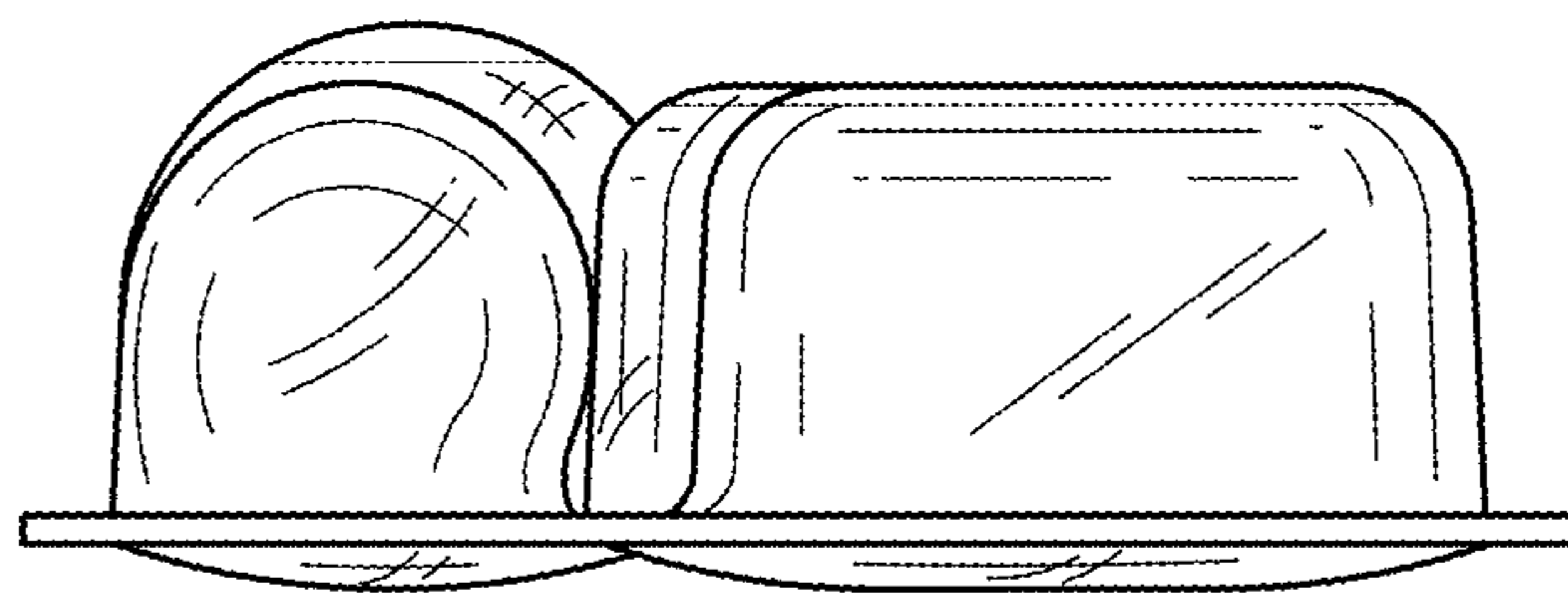


FIG. 11

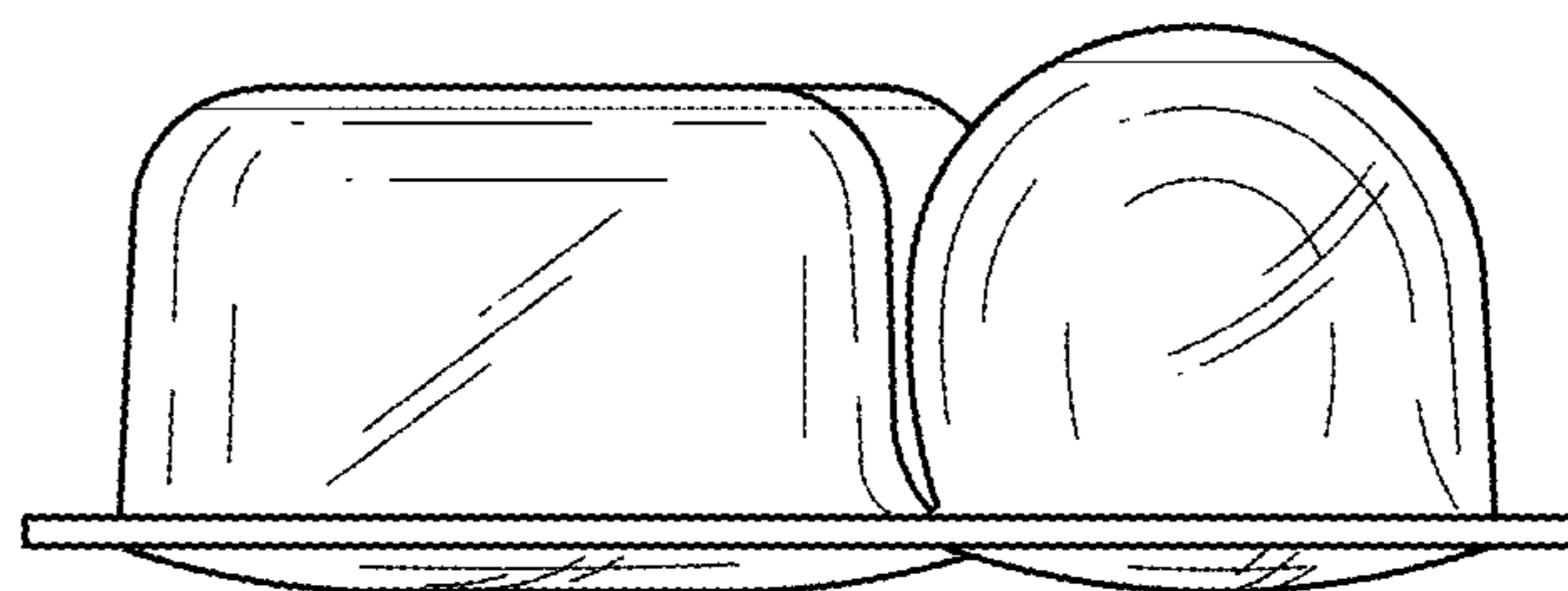


FIG. 12

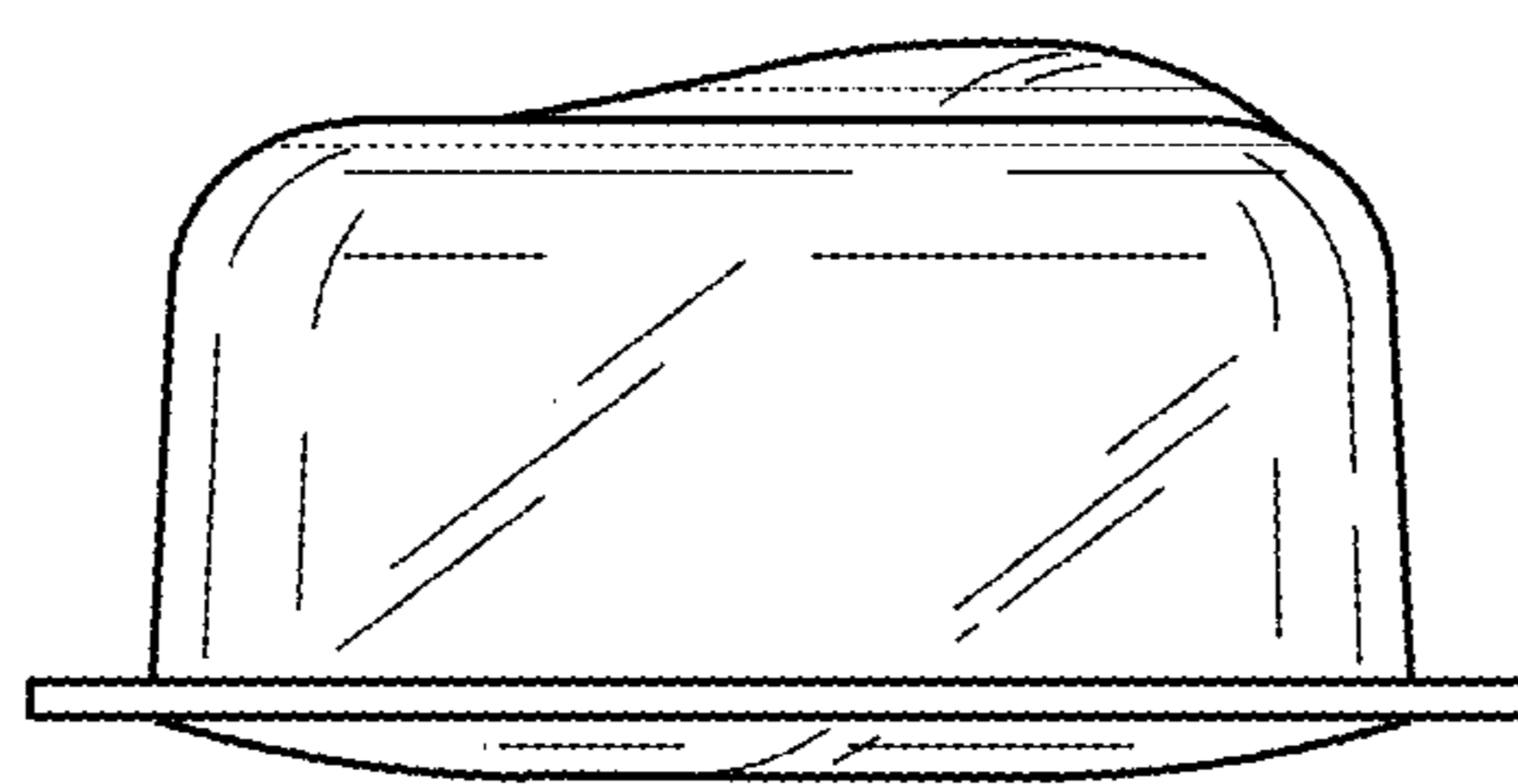


FIG. 13



FIG. 14

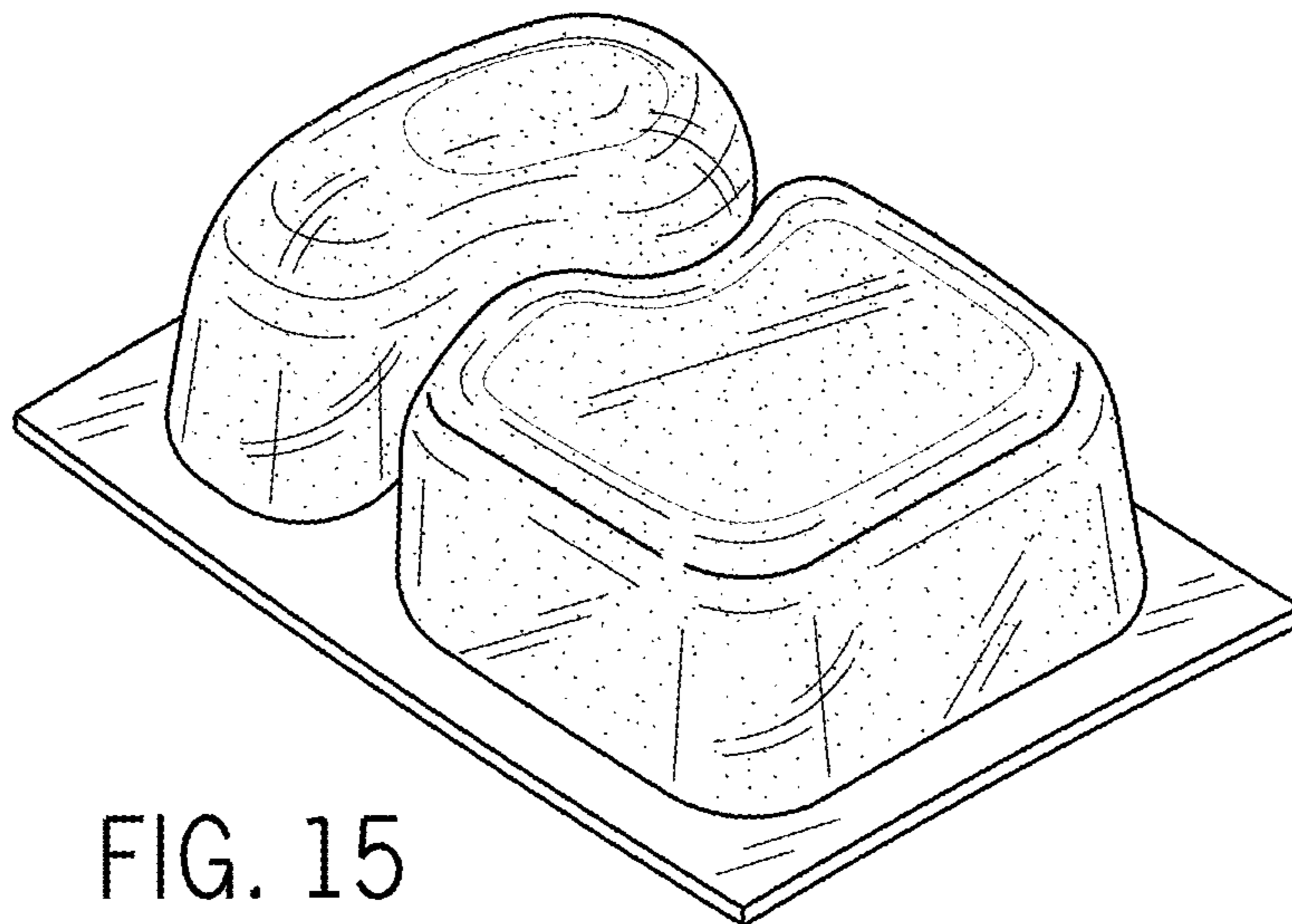


FIG. 15

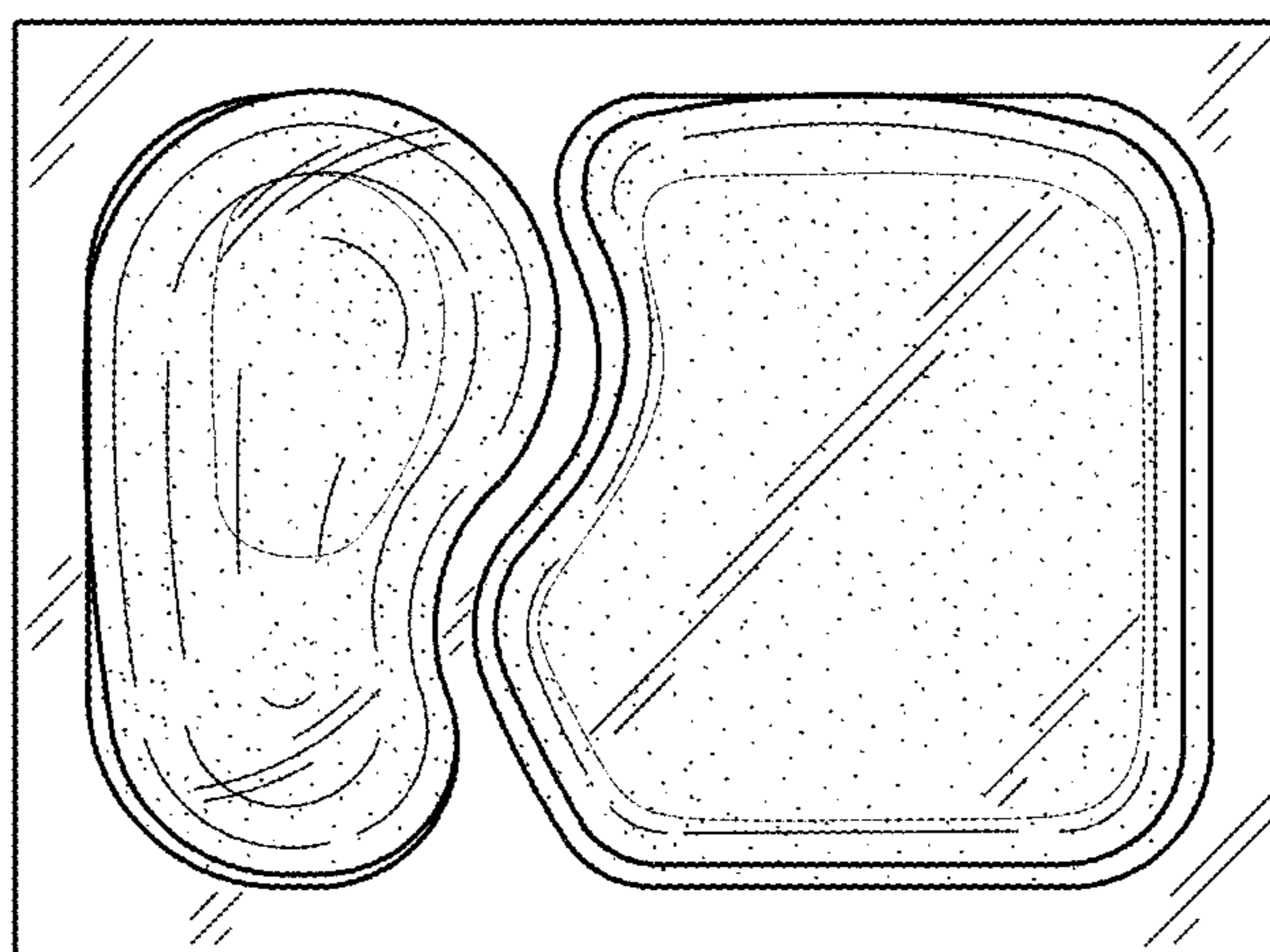


FIG. 16

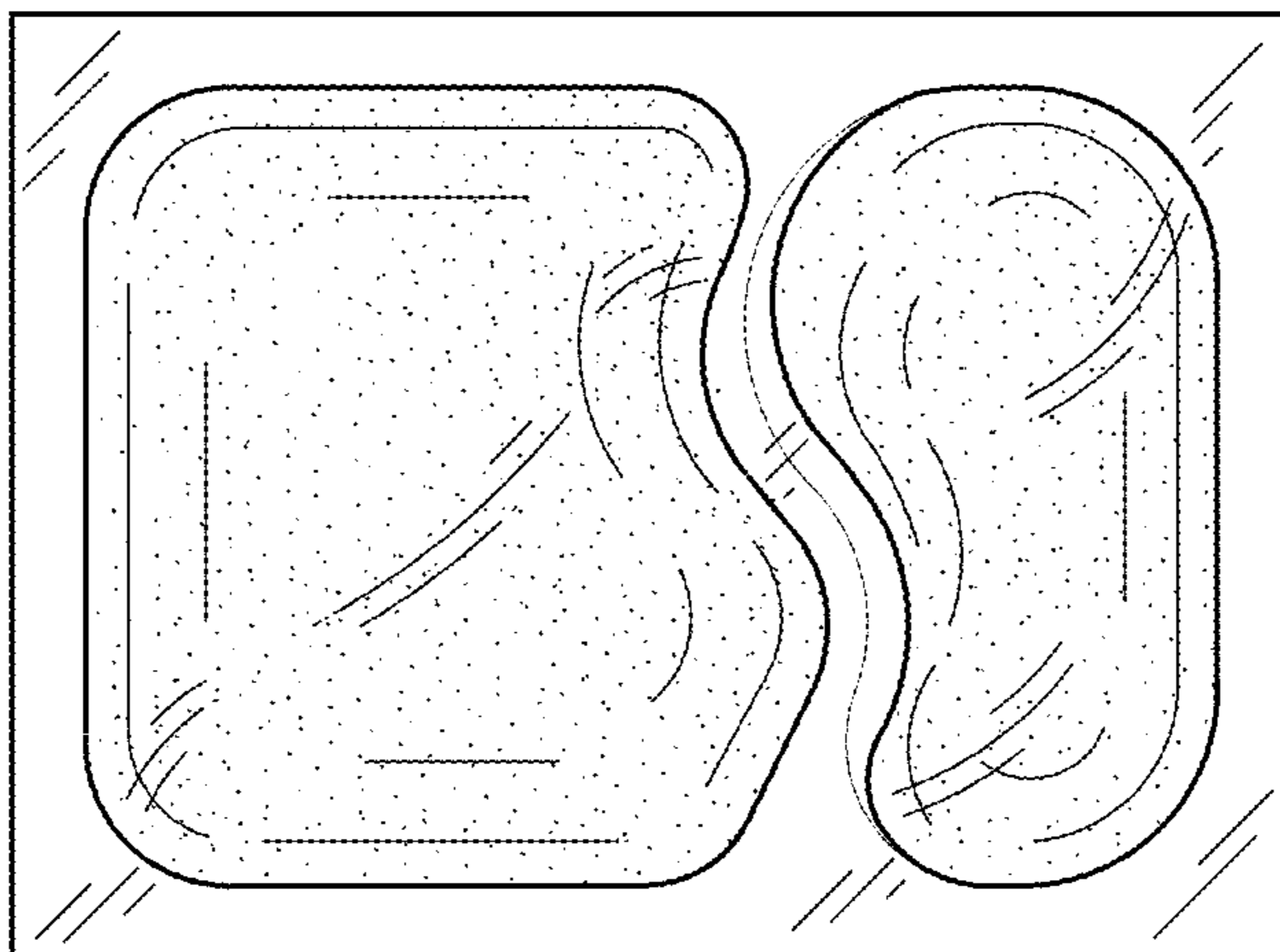


FIG. 17

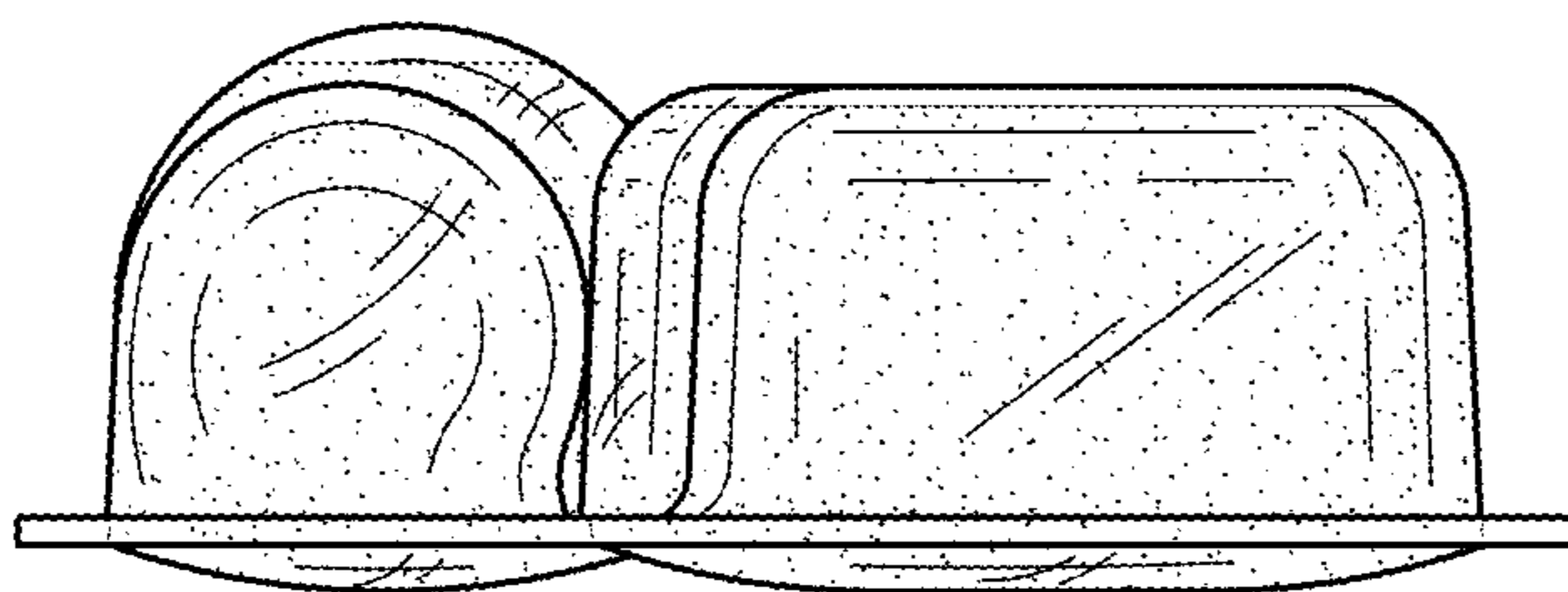


FIG. 18

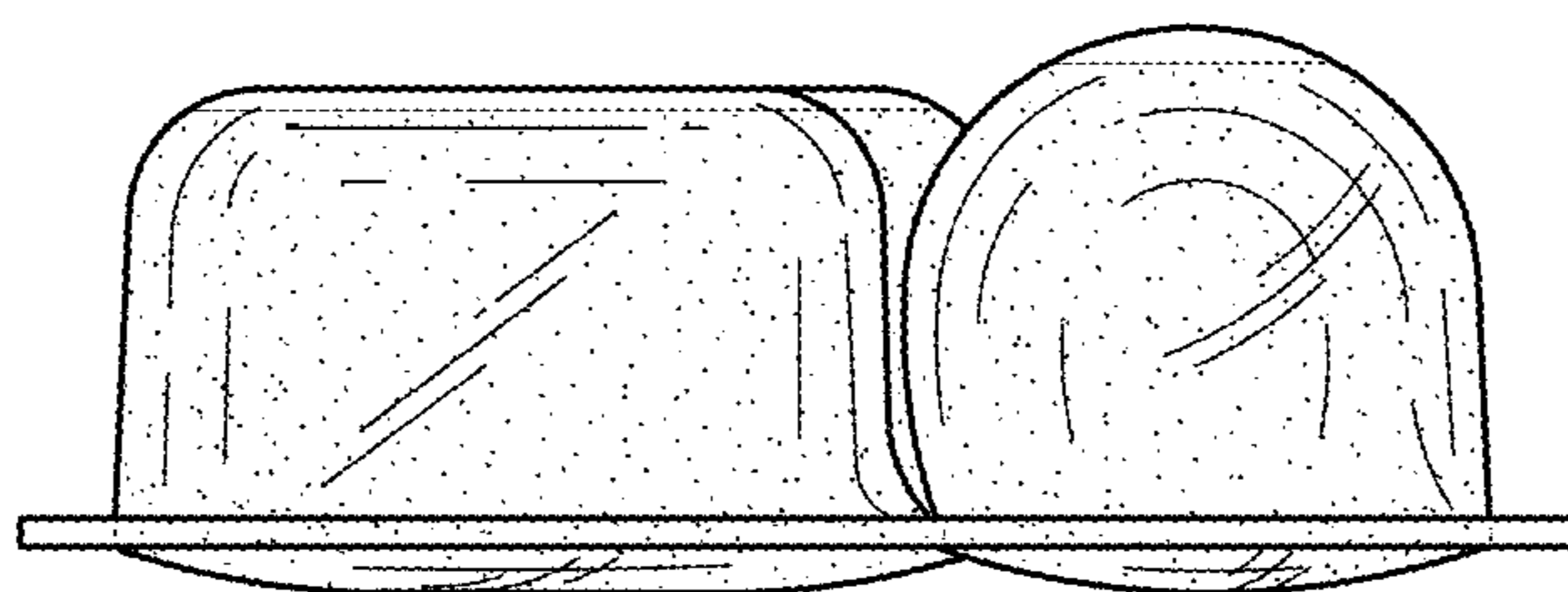


FIG. 19

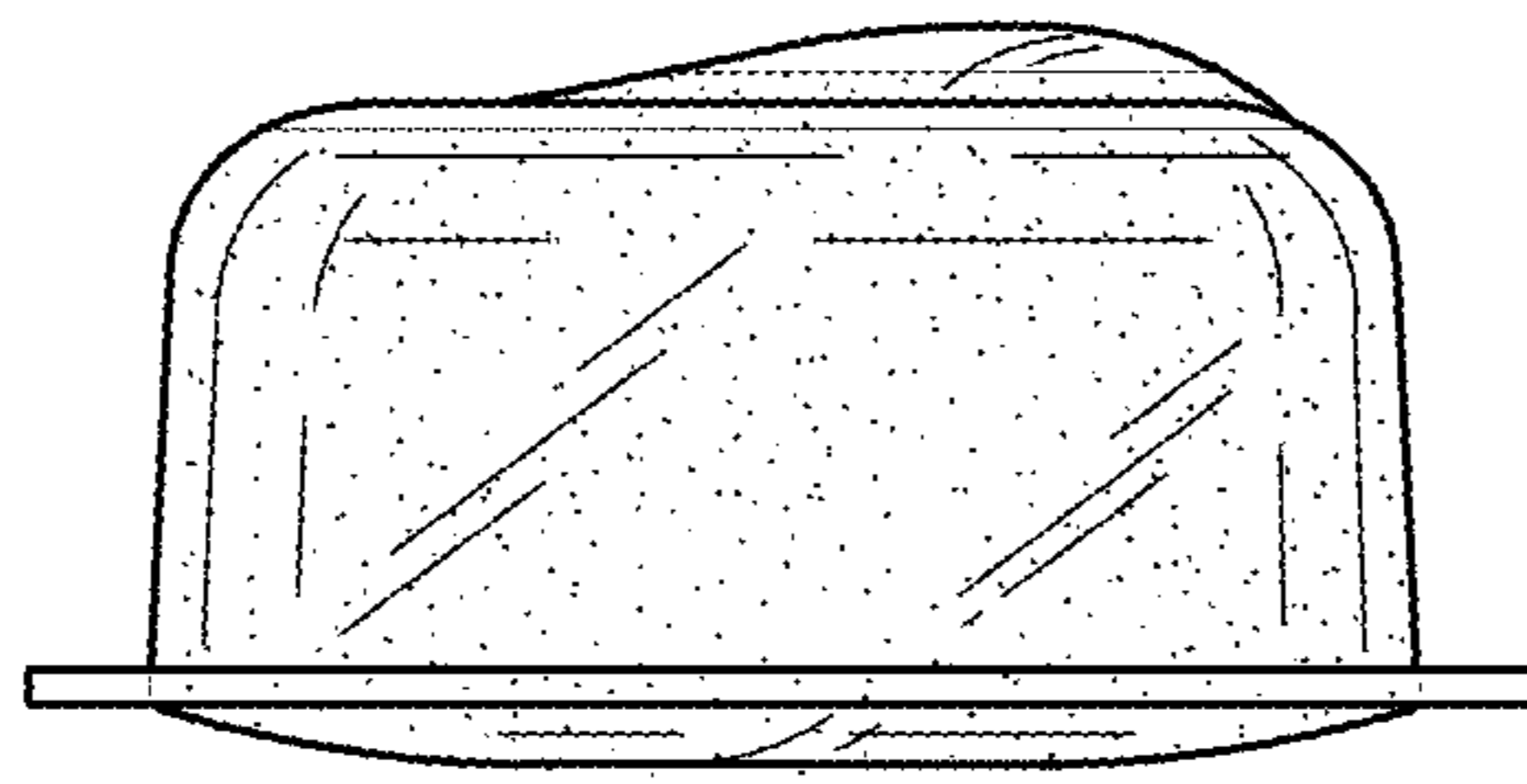


FIG. 20

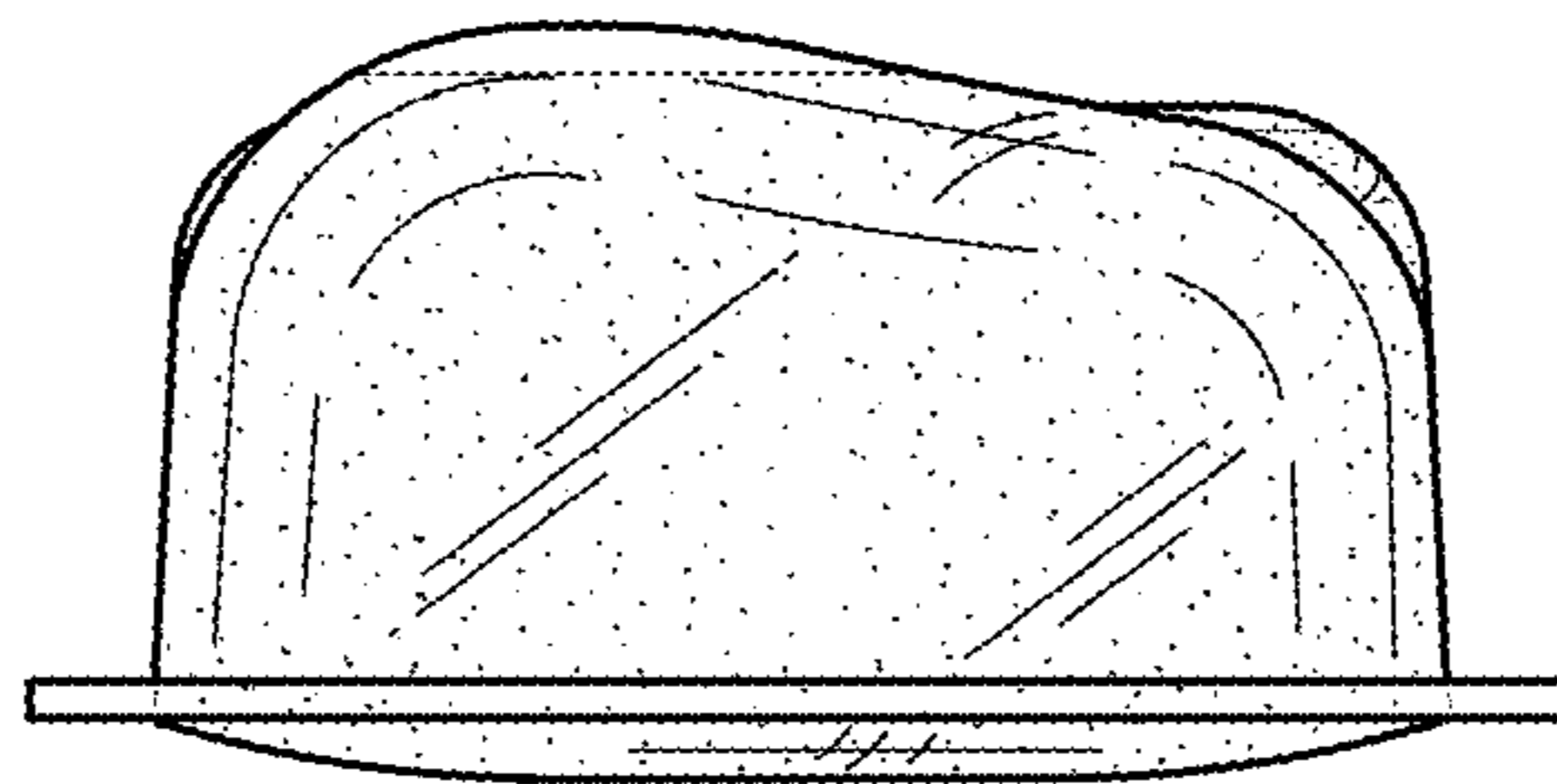


FIG. 21

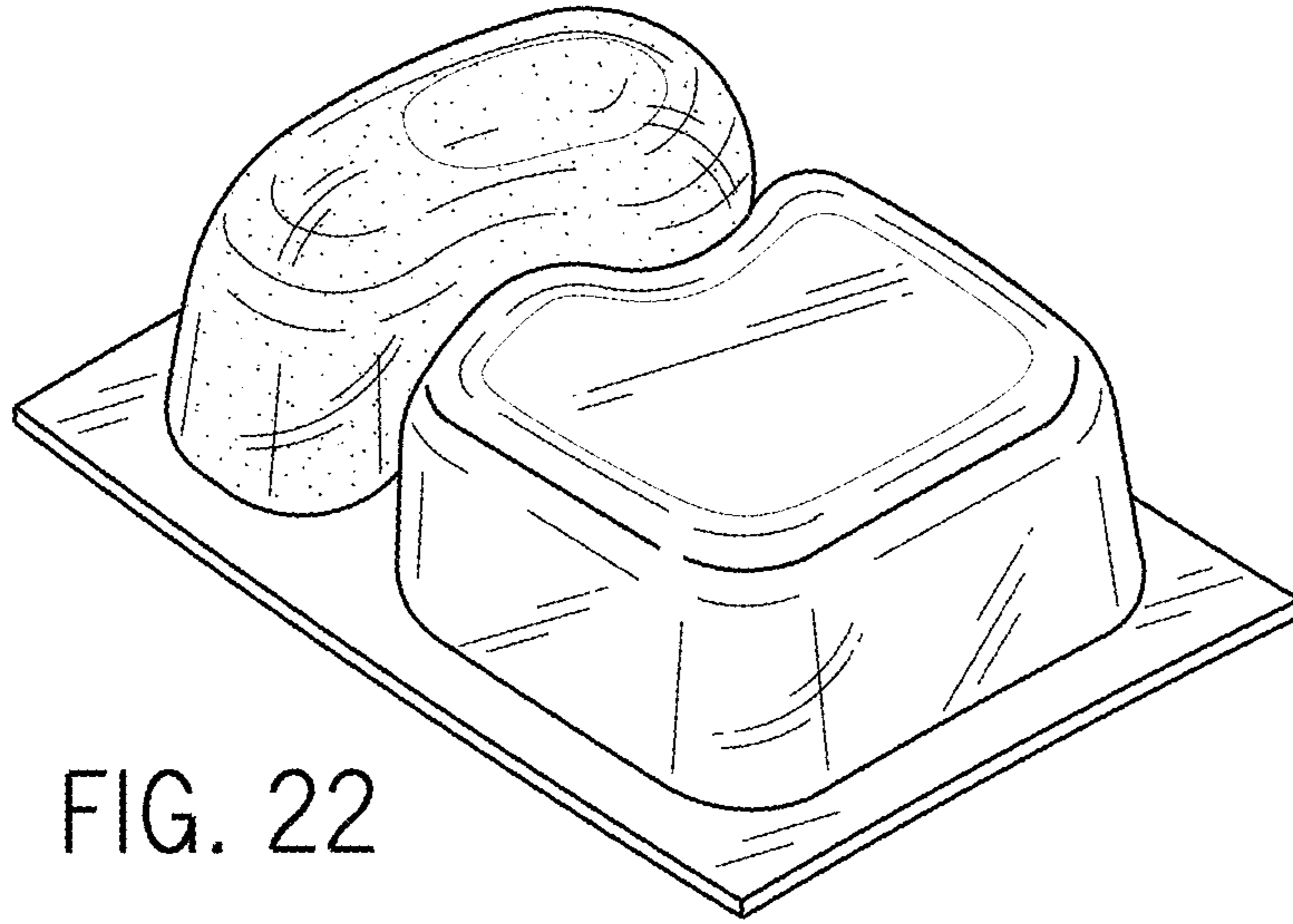


FIG. 22

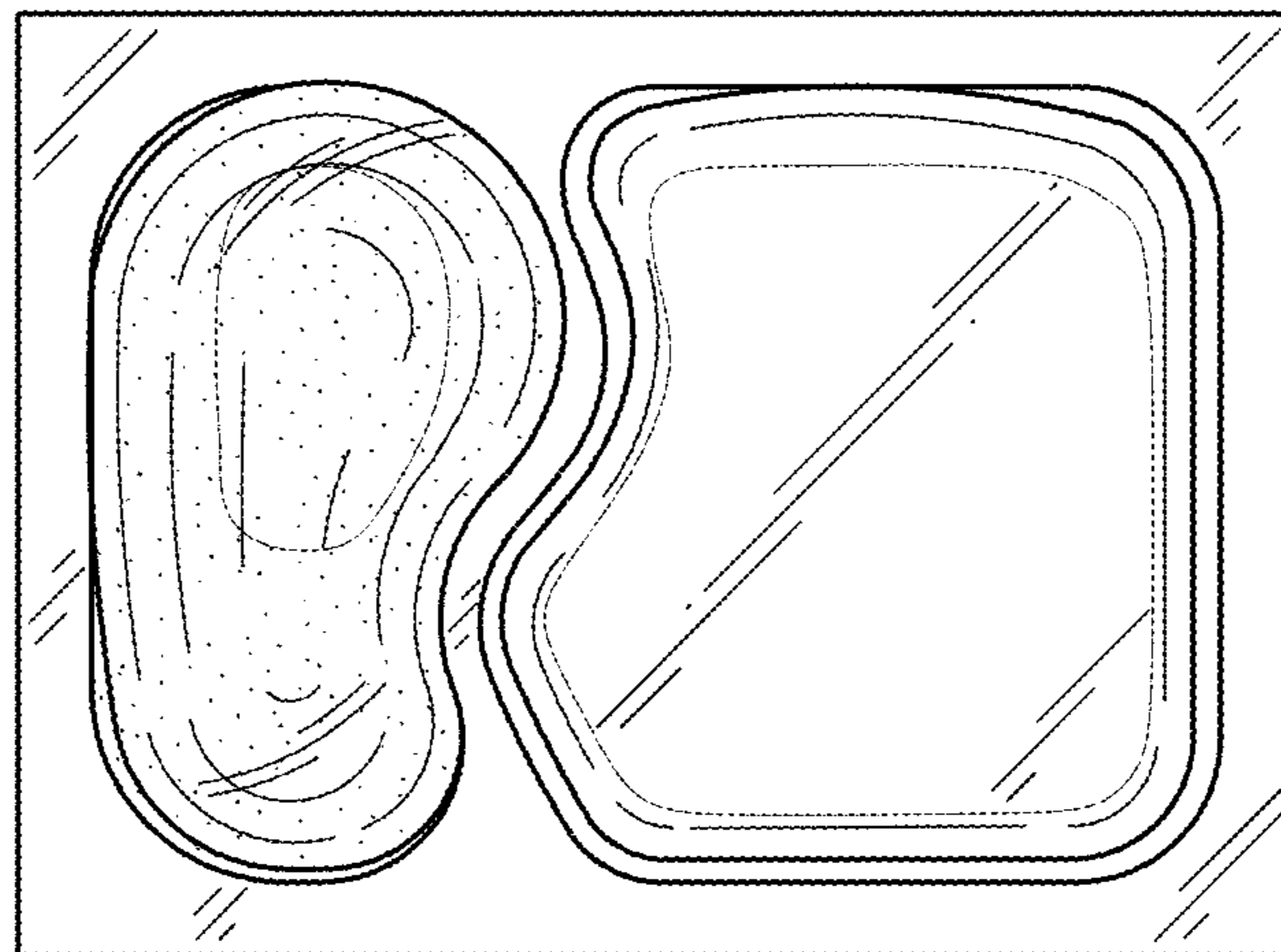


FIG. 23

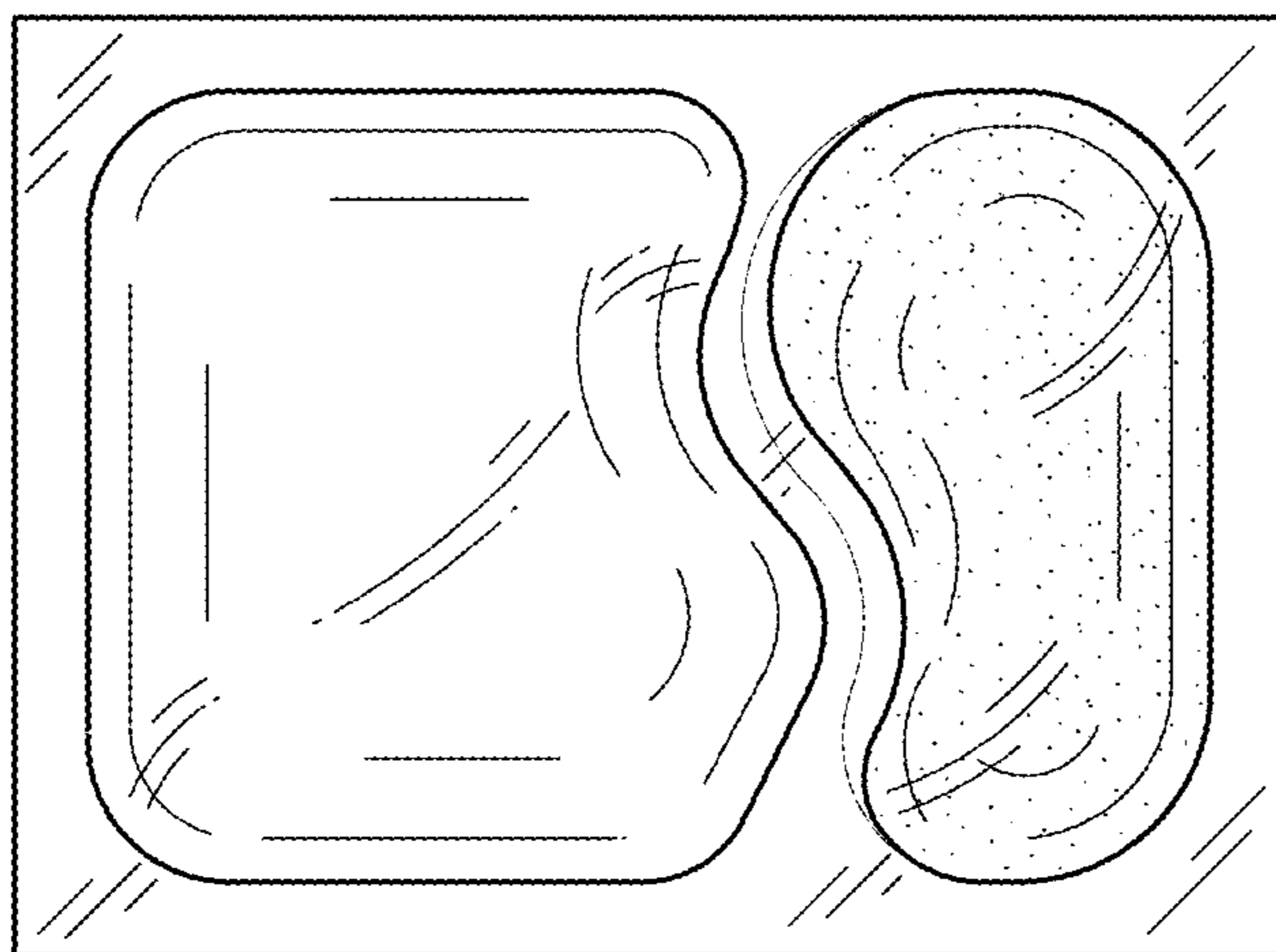


FIG. 24

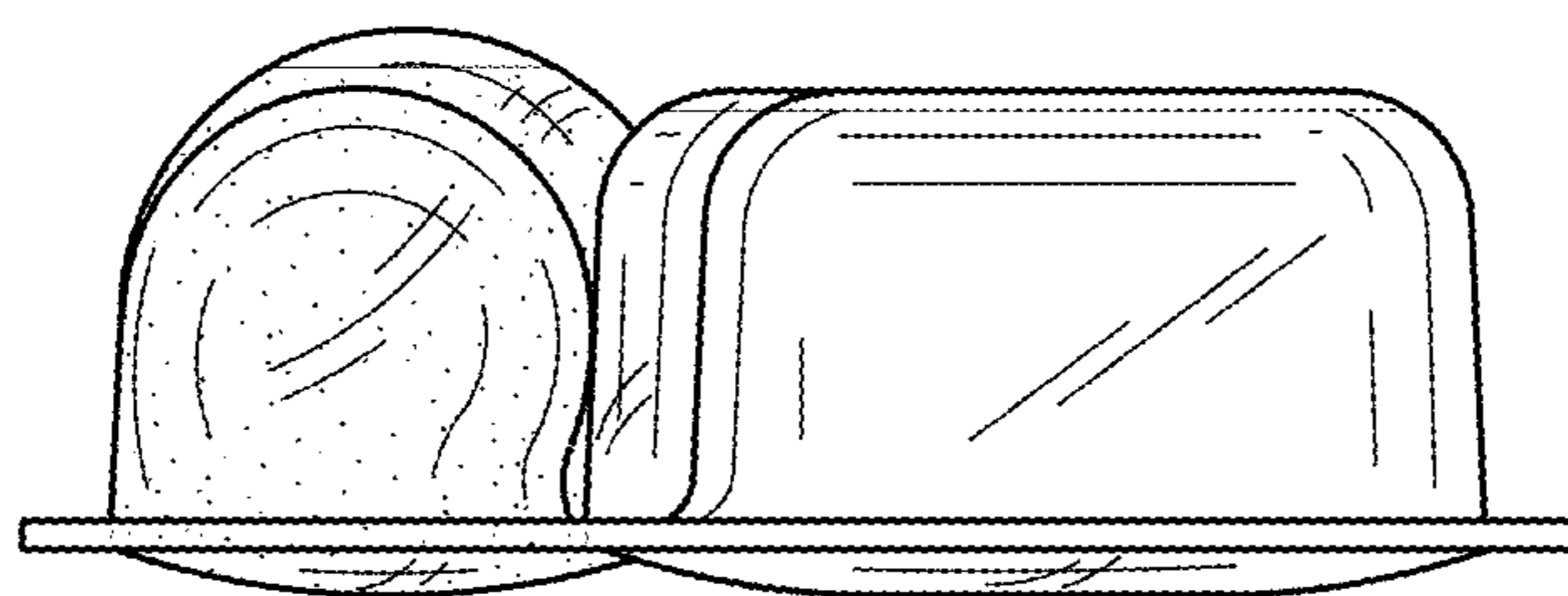


FIG. 25

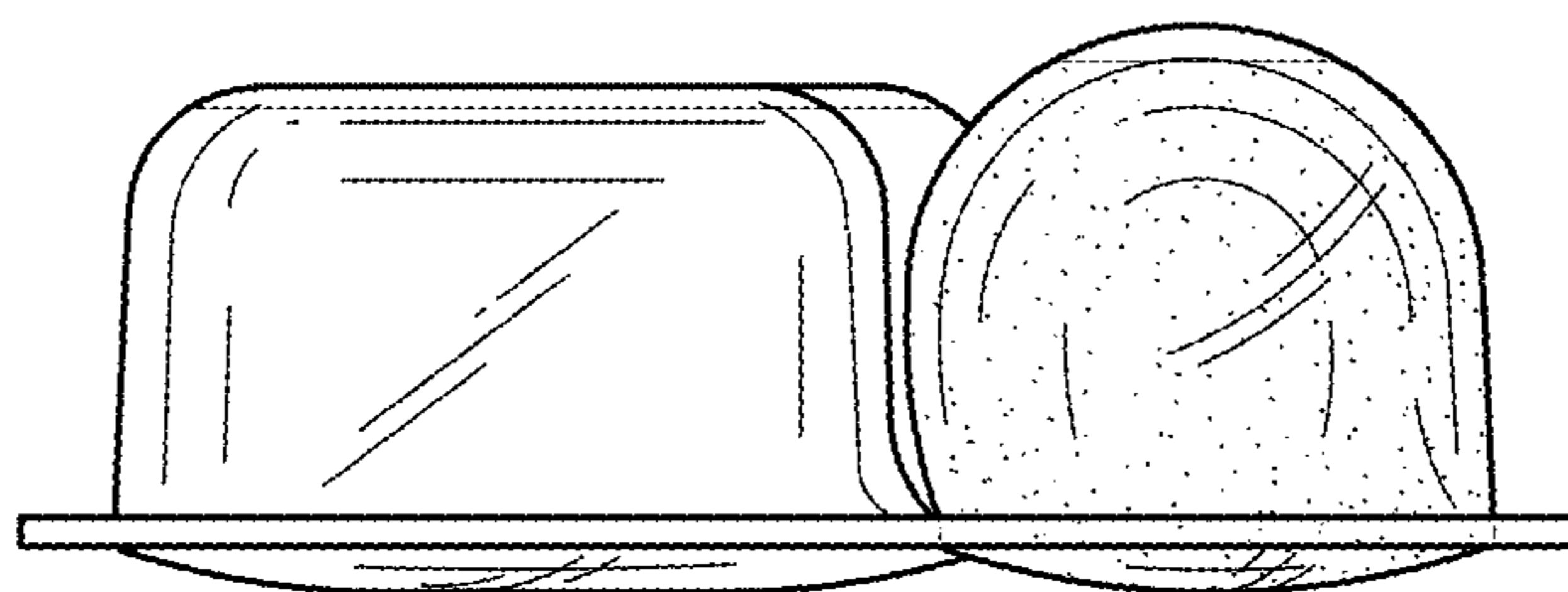


FIG. 26

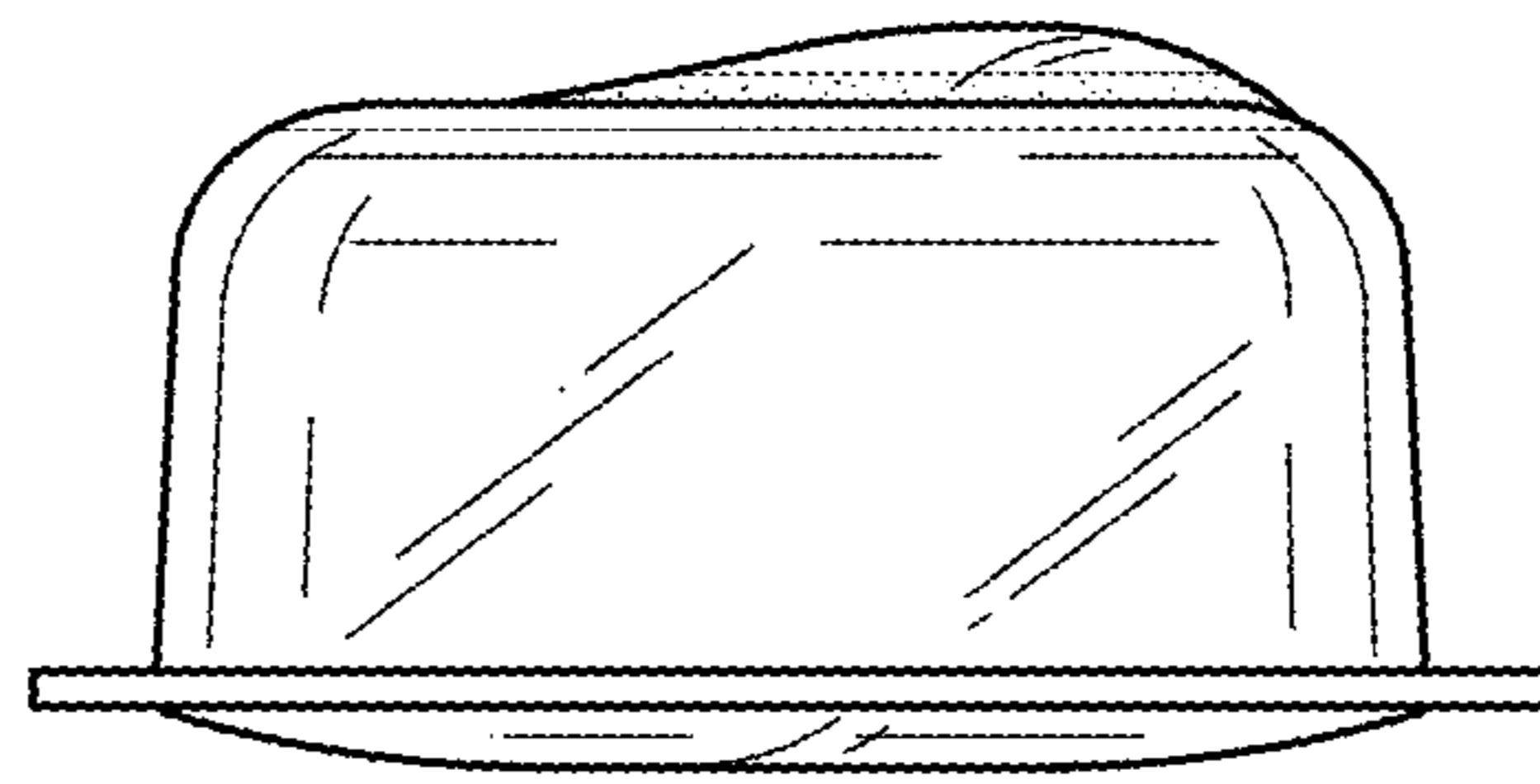


FIG. 27

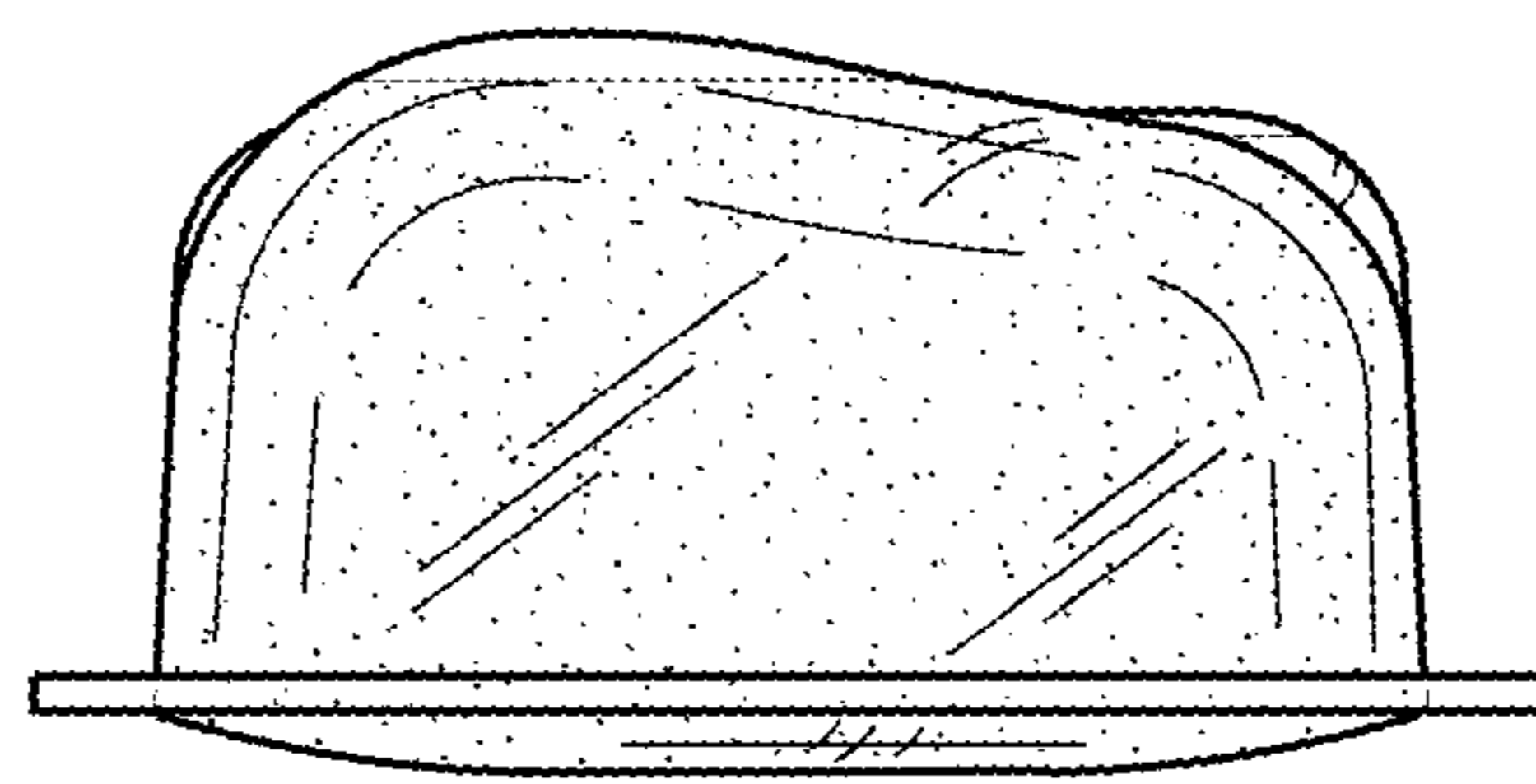


FIG. 28

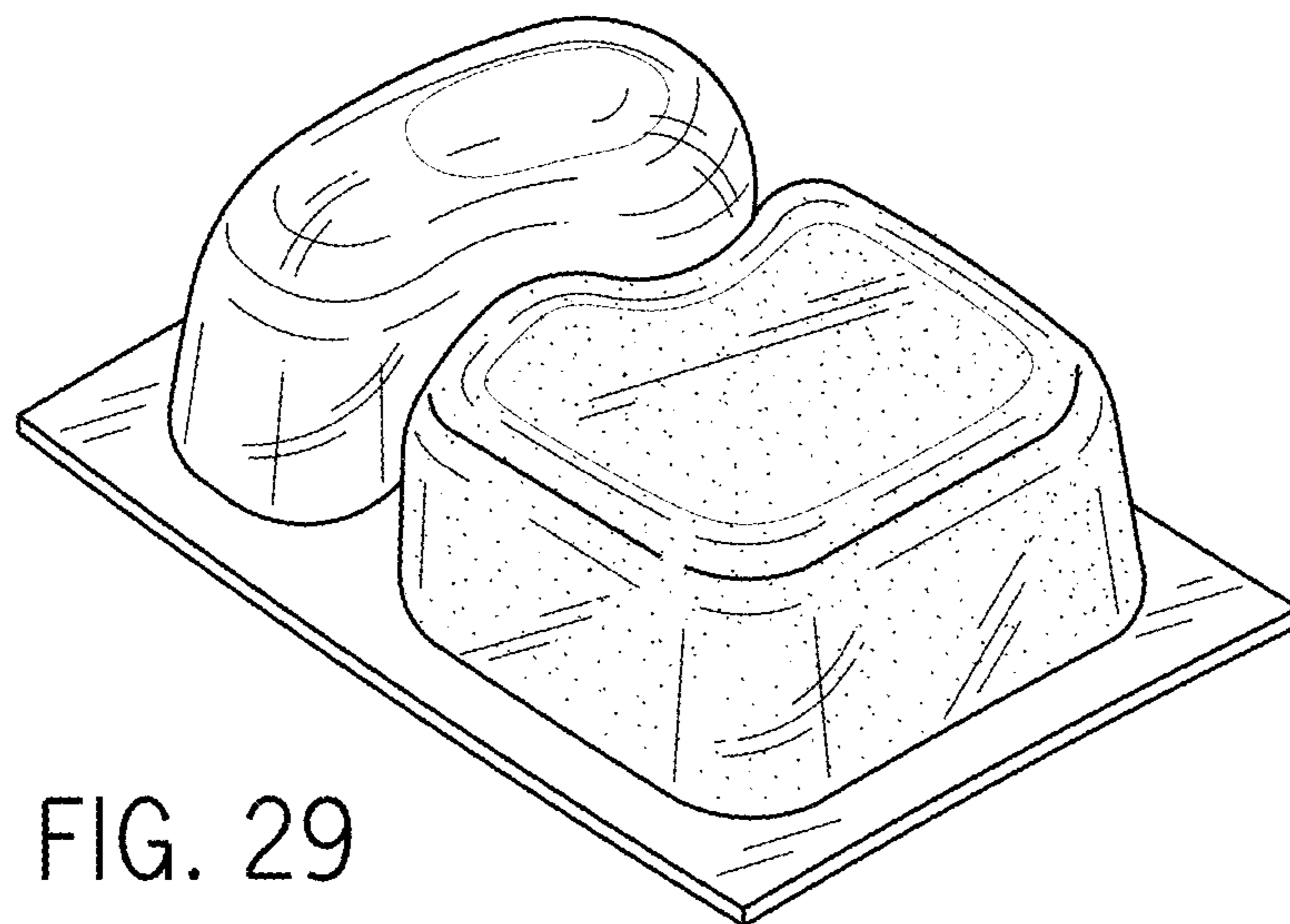


FIG. 29

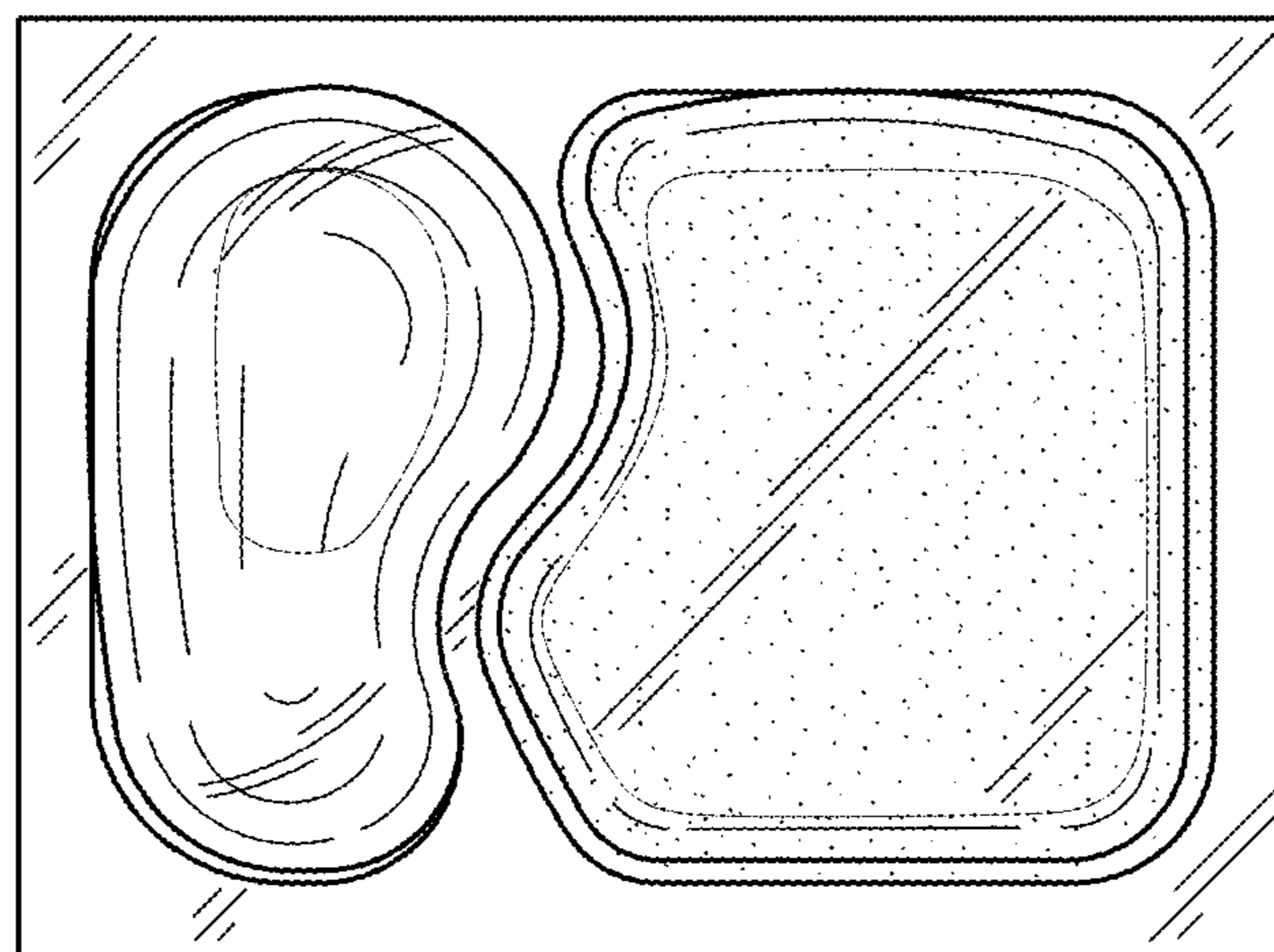


FIG. 30

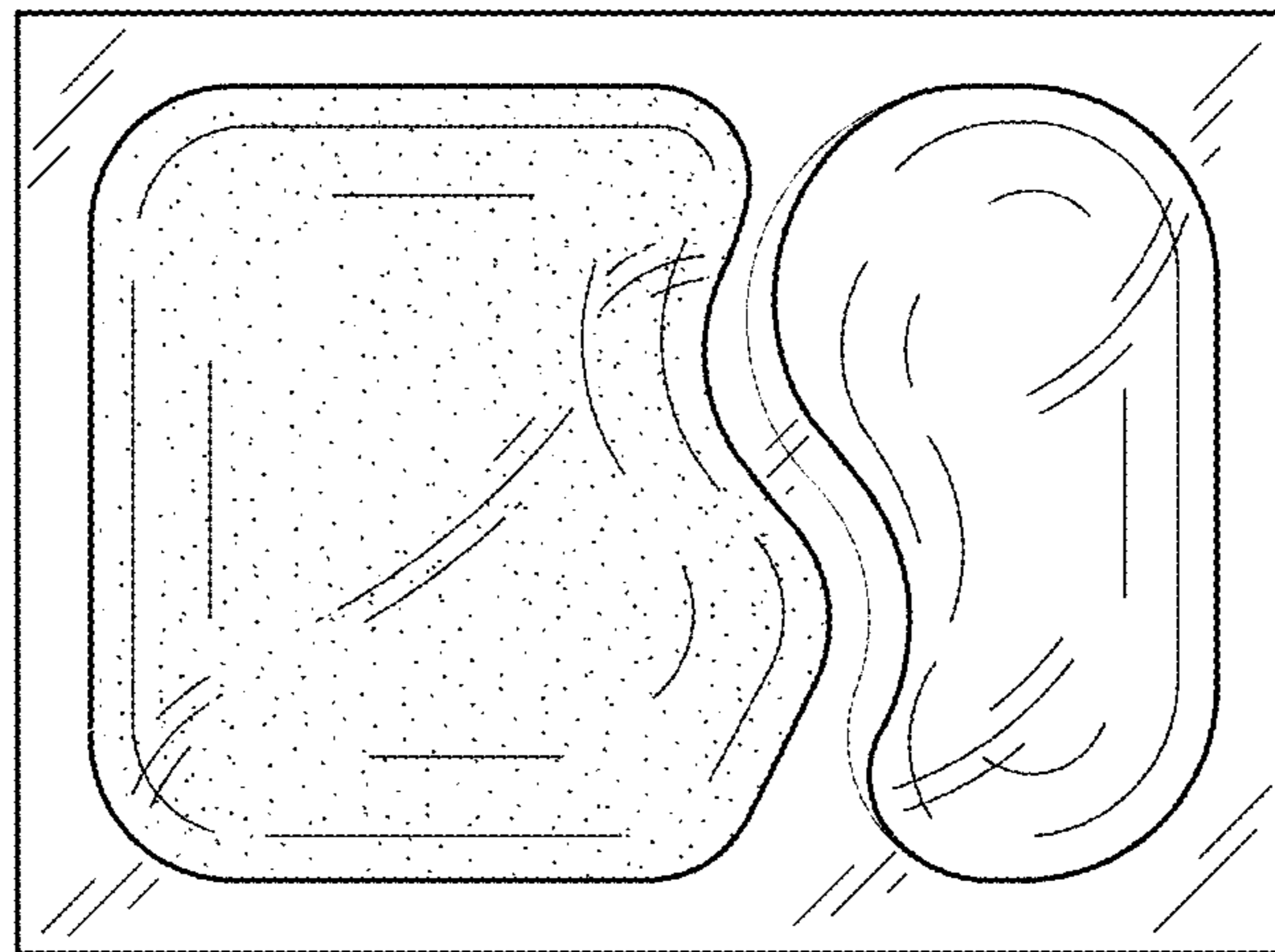


FIG. 31

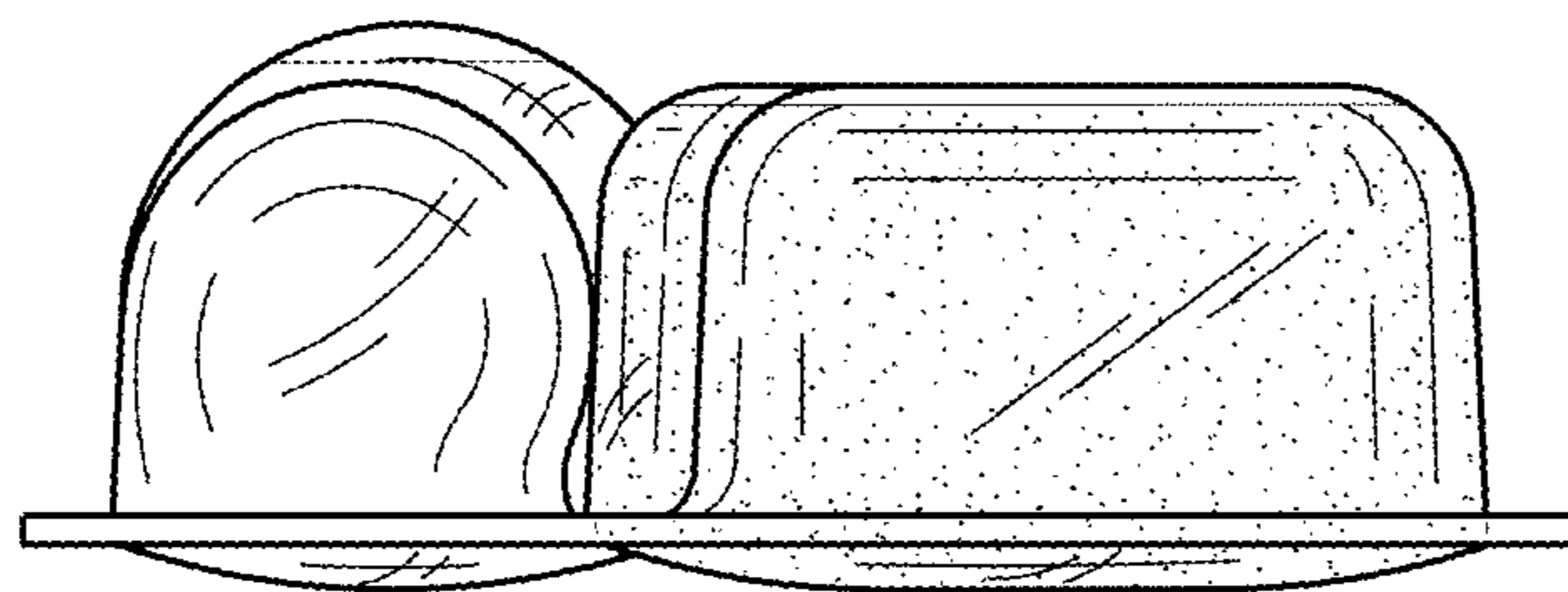


FIG. 32

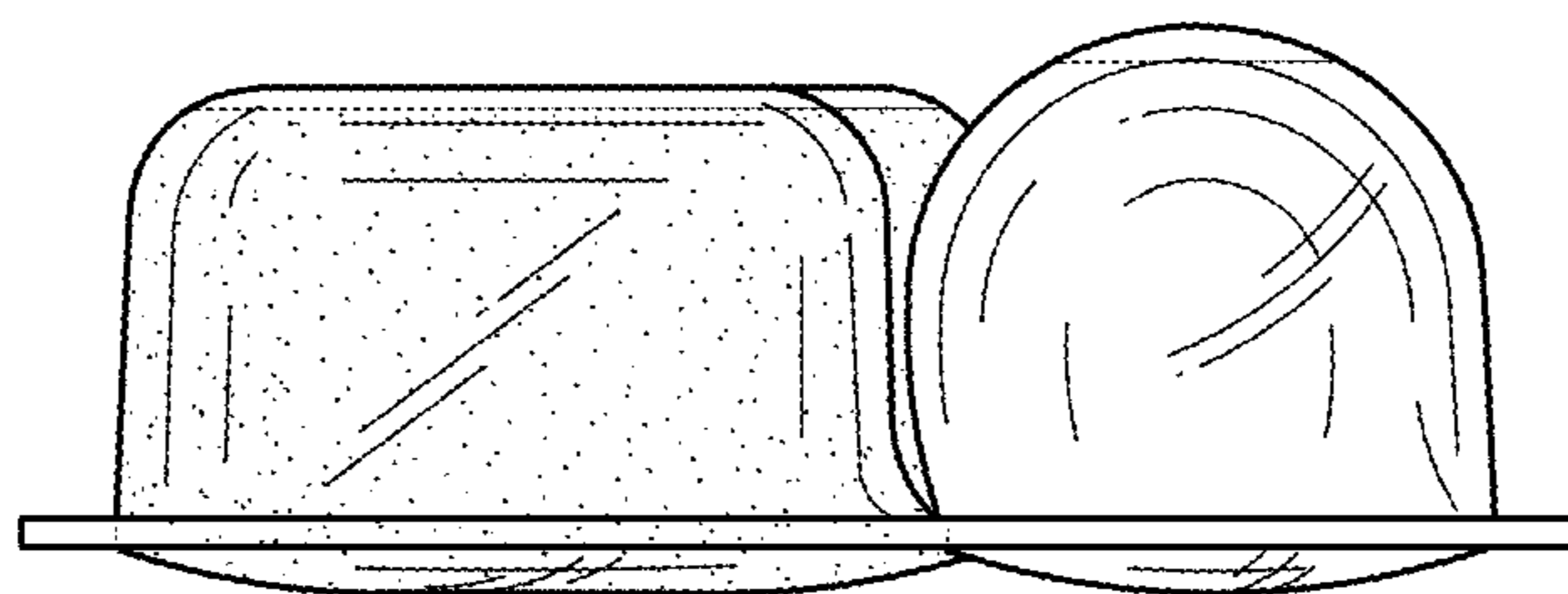


FIG. 33

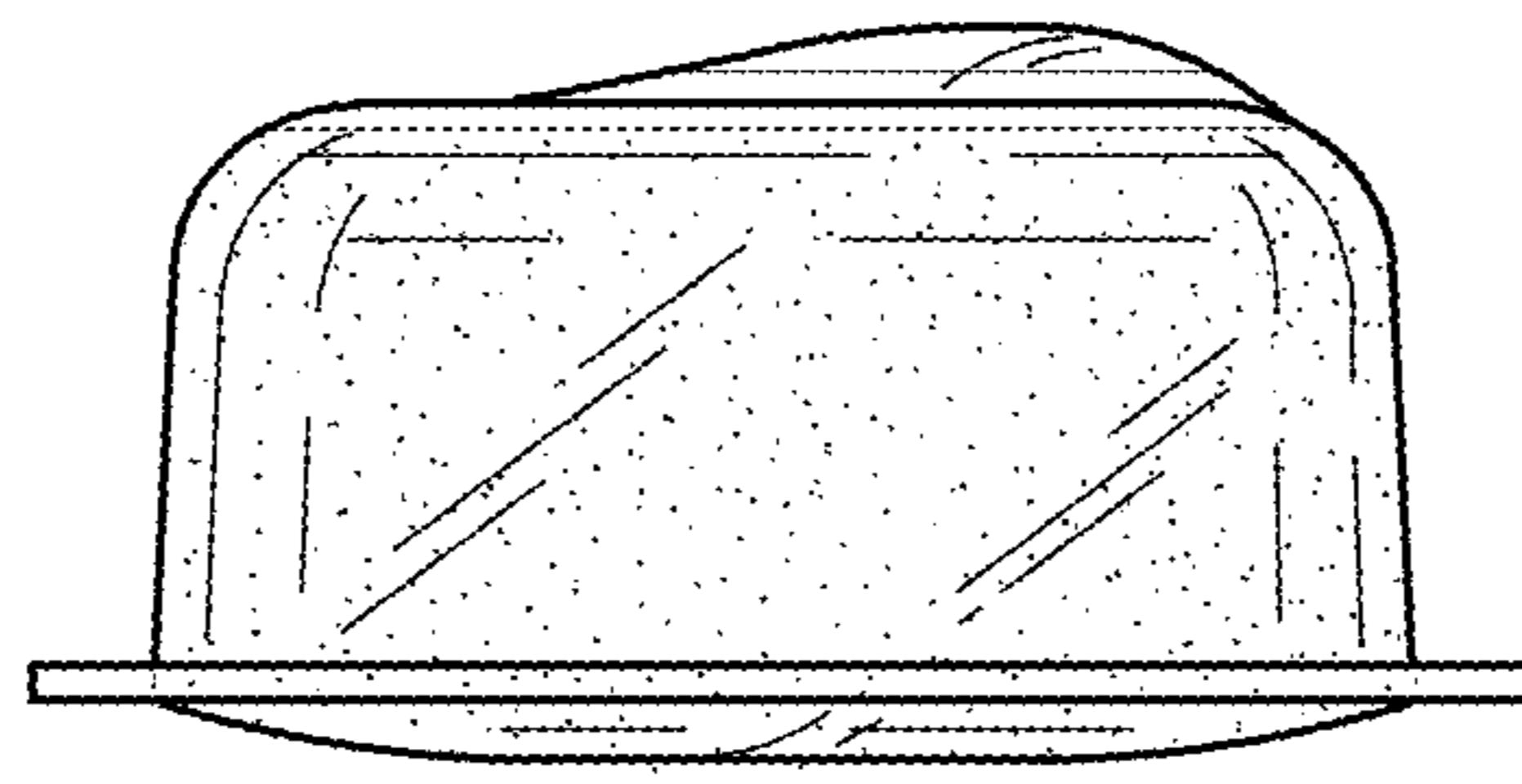


FIG. 34

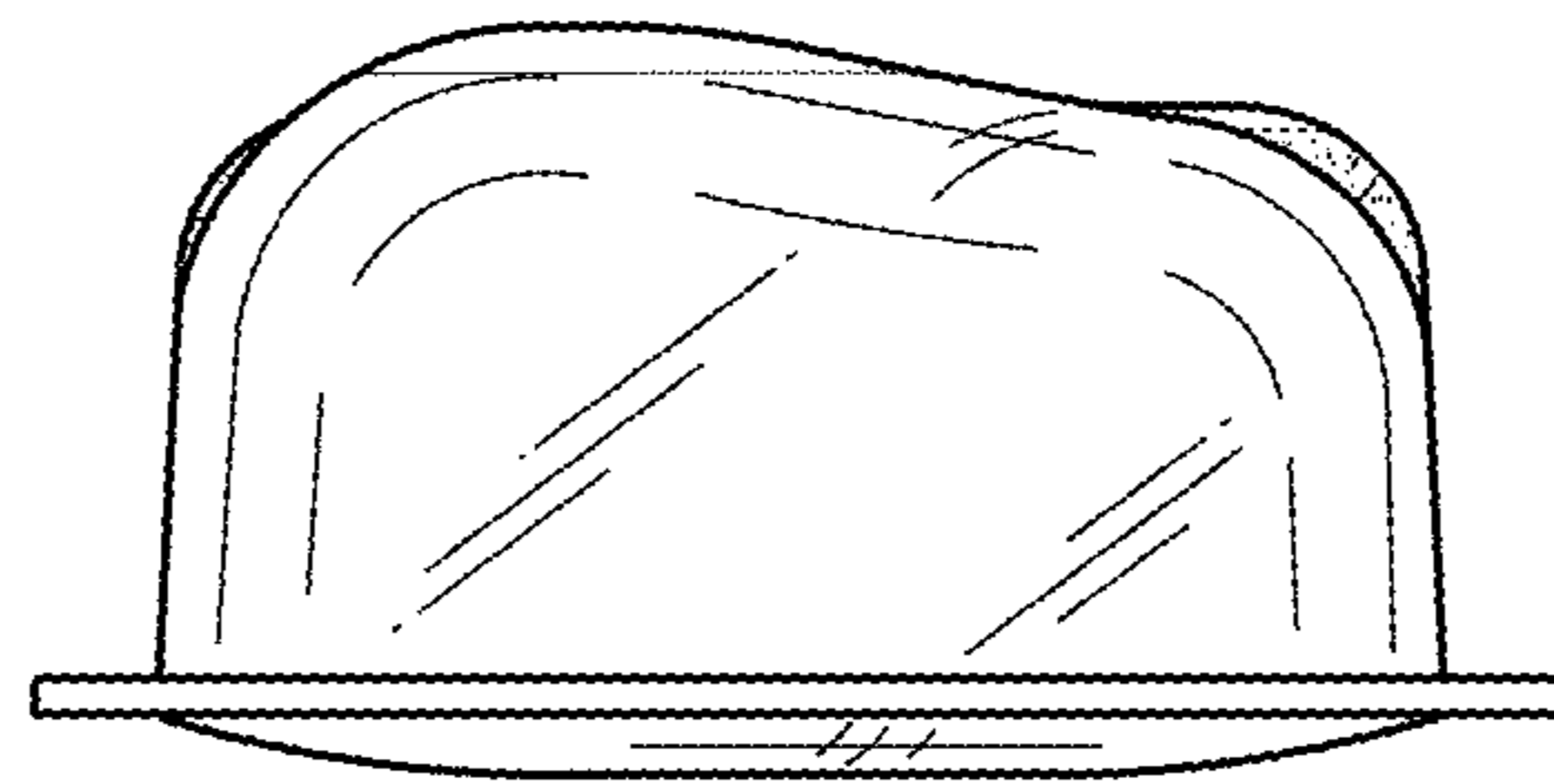


FIG. 35