



US00D774246S

(12) **United States Design Patent**
Lin

(10) **Patent No.:** **US D774,246 S**

(45) **Date of Patent:** **** Dec. 13, 2016**

(54) **ADAPTER FOR TRACKLIGHT**

(71) Applicant: **Westport International Co., Ltd.**,
Taoyuan, Taoyuan County (TW)

(72) Inventor: **Shan Chaing Lin**, Taoyuan (TW)

(73) Assignee: **Westport International Co., Ltd.**,
Taoyuan, Taoyuan County

(**) Term: **14 Years**

(21) Appl. No.: **29/514,993**

(22) Filed: **Jan. 19, 2015**

(51) **LOC (10) Cl.** **13-02**

(52) **U.S. Cl.**
USPC **D26/138**

(58) **Field of Classification Search**
USPC ... D13/110, 107, 108, 123, 133, 135, 137.1,
D13/138.1, 199; D26/60-66, 138; 174/53,
174/54
CPC H01R 25/14; H01R 25/142; H01R 25/00;
F16J 1/16
See application file for complete search history.

(56) **References Cited**

U.S. PATENT DOCUMENTS

D292,235 S *	10/1987	Roos	D26/65
D315,419 S *	3/1991	Layne	D26/63
D345,616 S *	3/1994	Lin	D26/63
D370,990 S *	6/1996	Lin	D26/63
5,788,518 A *	8/1998	Wachter	F21V 21/30 362/287
D424,017 S *	5/2000	Lin	D13/133
D488,247 S *	4/2004	Lin	D26/64
D493,138 S *	7/2004	Jiang	D13/110

D564,121 S *	3/2008	Lin	D26/64
D582,088 S *	12/2008	Lin	D26/64
D647,657 S *	10/2011	Janssen	D26/63
D715,220 S *	10/2014	Lin	D13/110
D715,221 S *	10/2014	Lin	D13/110
D731,449 S *	6/2015	Norman	D13/184

OTHER PUBLICATIONS

<https://www.etsy.com/listing/83099134/track-light-adapter>.
Retrieved via Google search Aug. 25, 2016. Available online since
Oct. 18, 2011.*
www.brandlighting.com/track_lighting.htm. Retrieved via Google
search Aug. 25, 2016. Available online since Jun. 8, 2014.*

* cited by examiner

Primary Examiner — Eric Goodman
Assistant Examiner — Christopher J Matthews

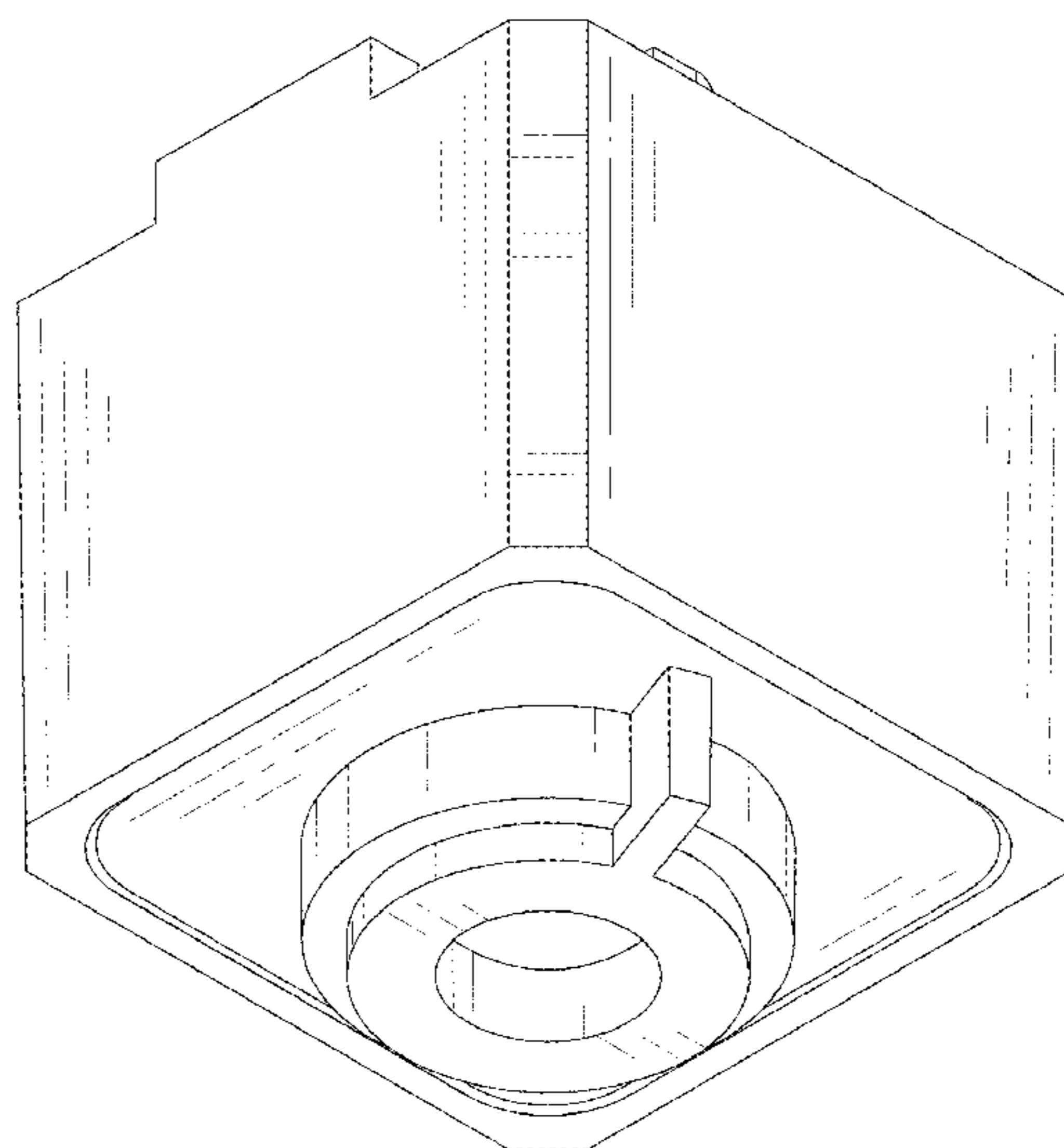
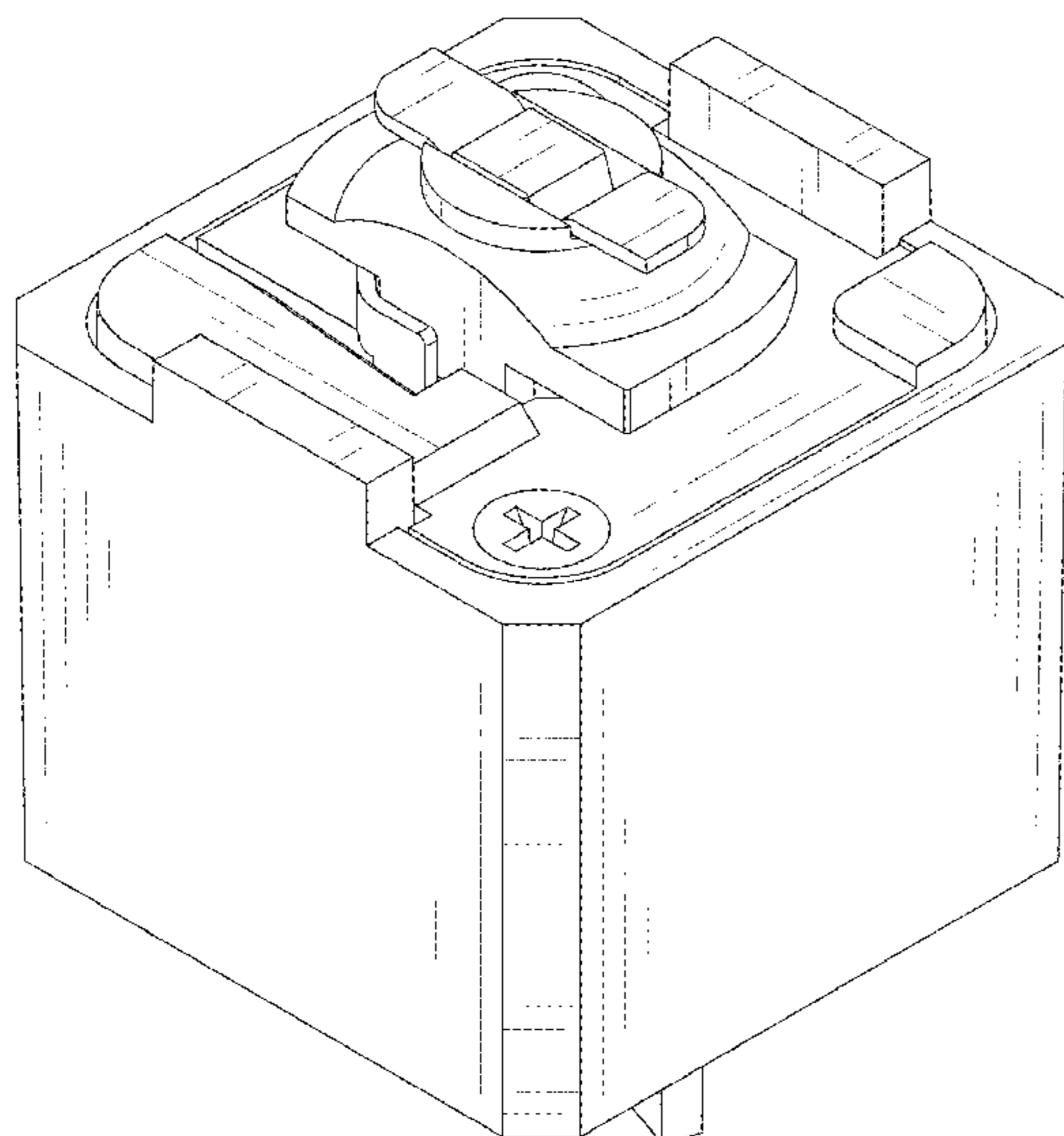
(57) **CLAIM**

The ornamental design for an adapter for tracklight, as
shown.

DESCRIPTION

FIG. 1 is a front perspective view of an adapter for tracklight
showing my new design;
FIG. 2 is a front elevational view thereof;
FIG. 3 is a rear elevational view thereof;
FIG. 4 is a left side elevational view thereof;
FIG. 5 is a right side elevational view thereof;
FIG. 6 is a top plan view thereof;
FIG. 7 is a bottom plan view thereof; and,
FIG. 8 is a bottom perspective view thereof.

1 Claim, 8 Drawing Sheets



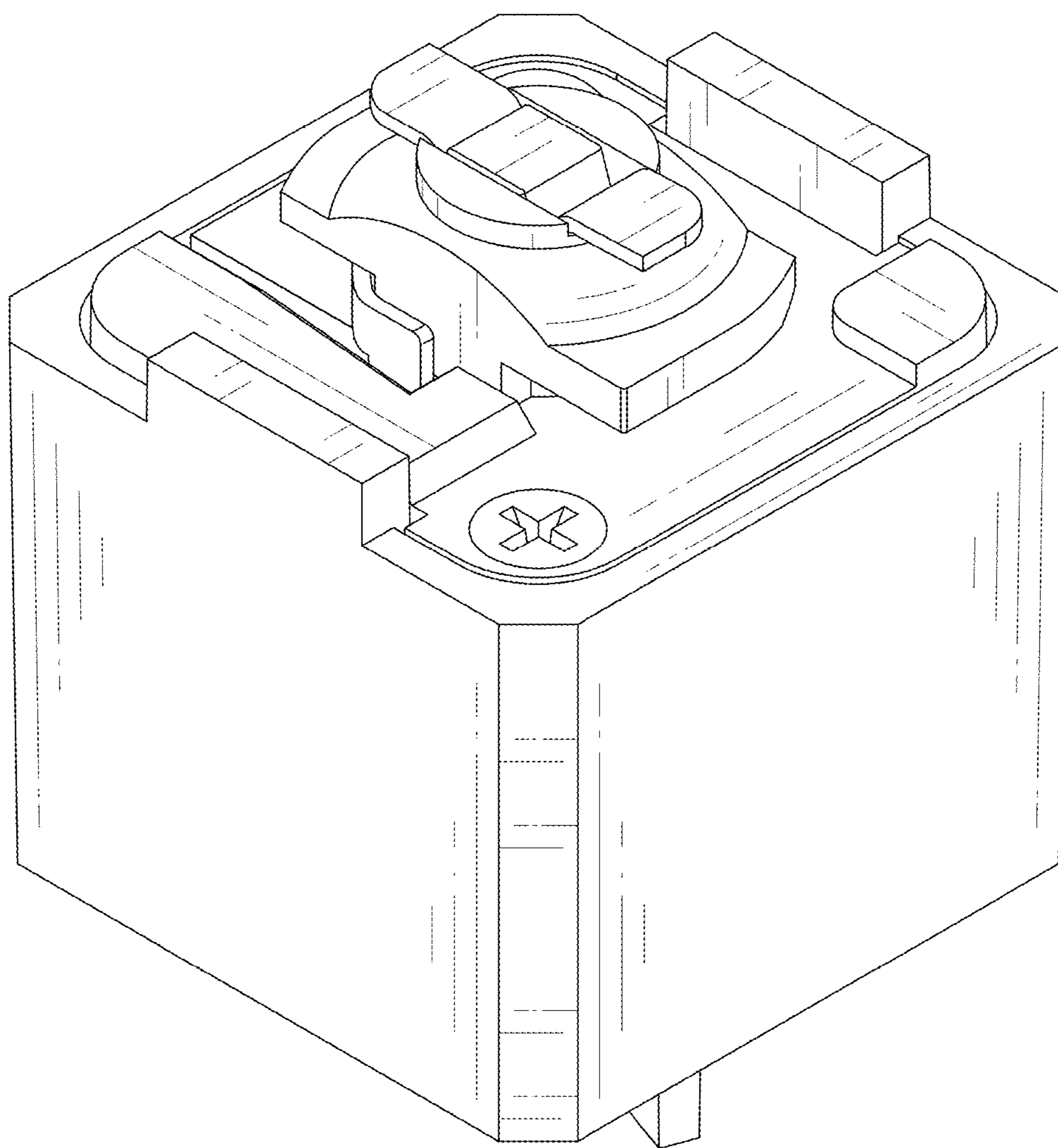


Fig.1

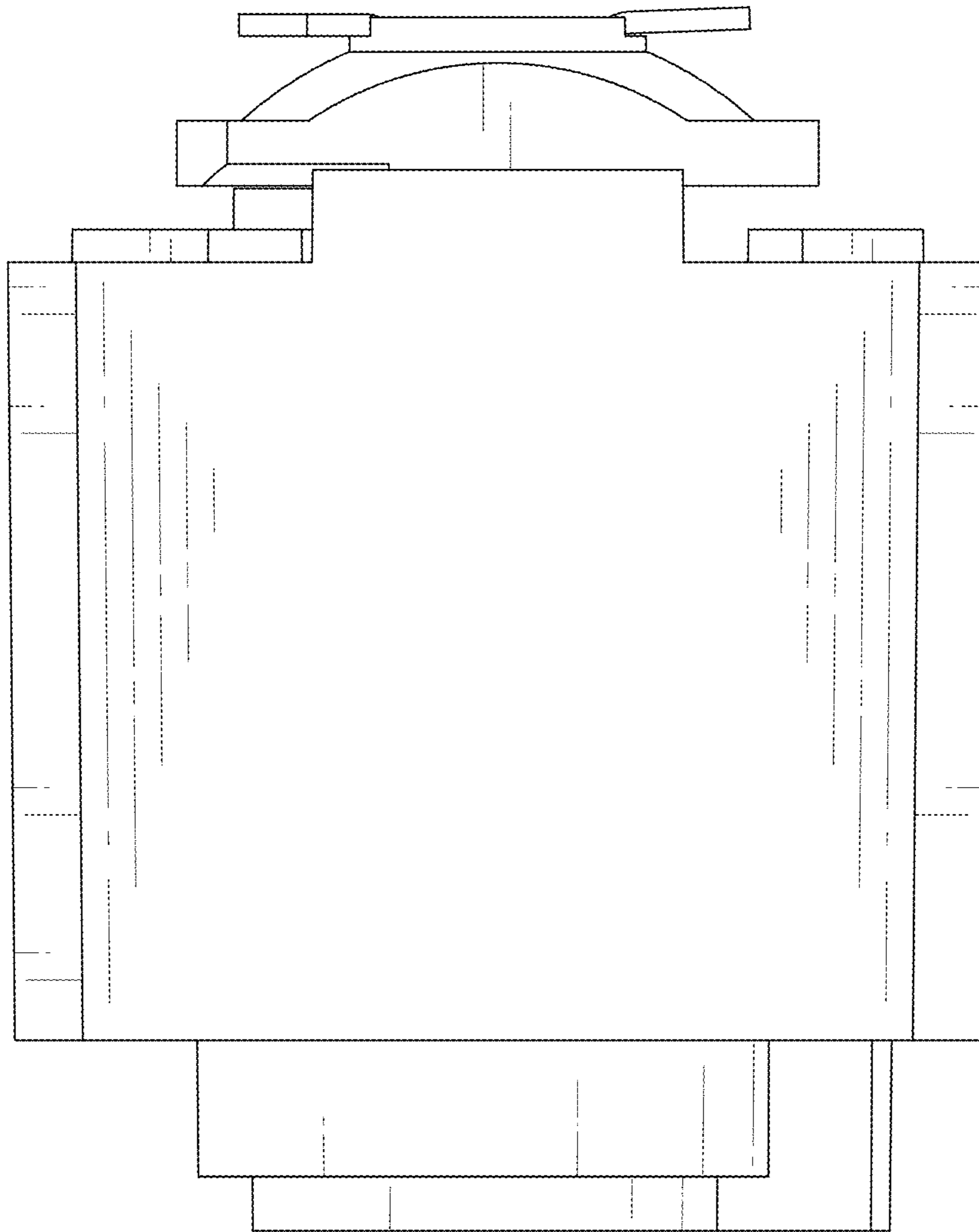


Fig.2

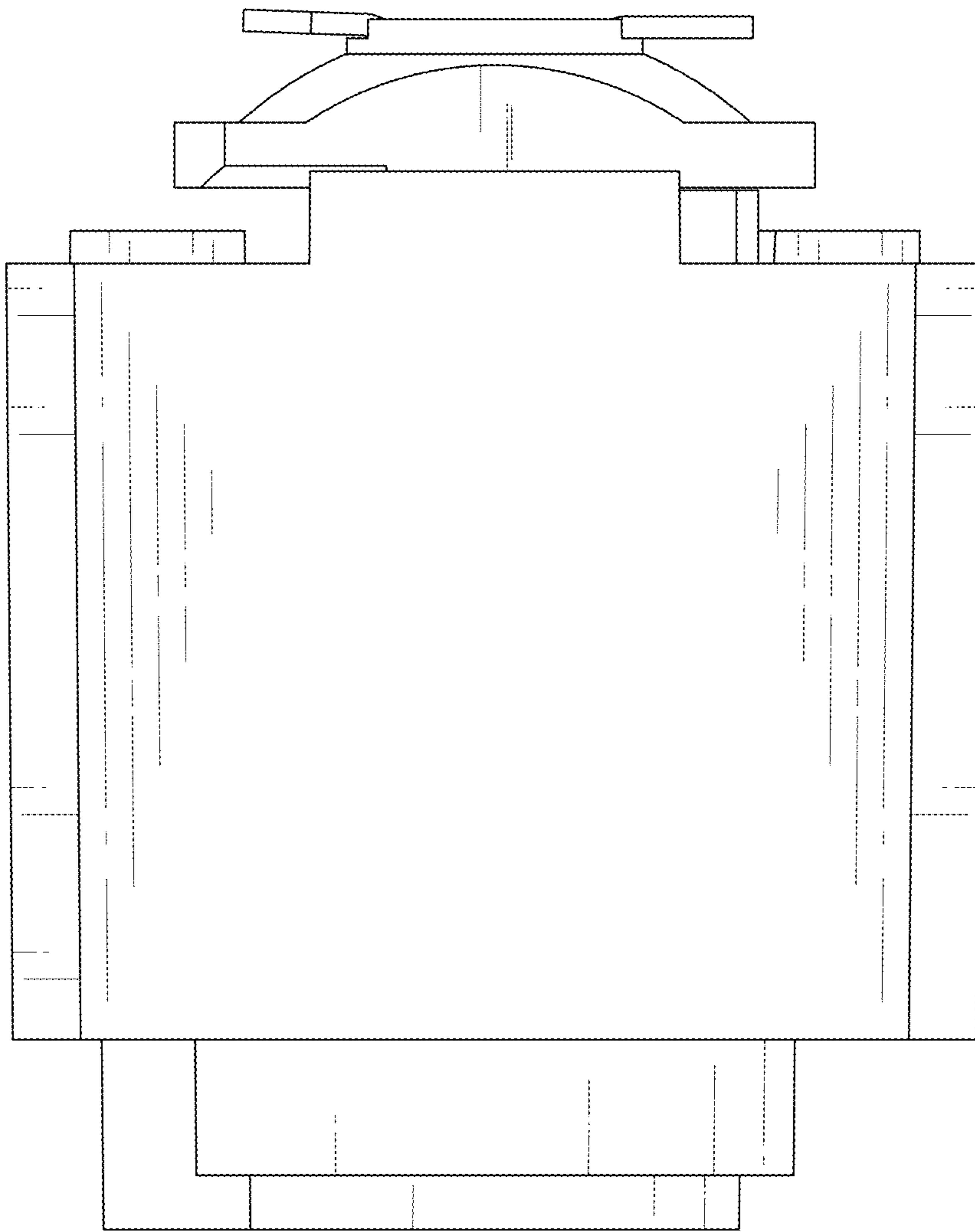


Fig.3

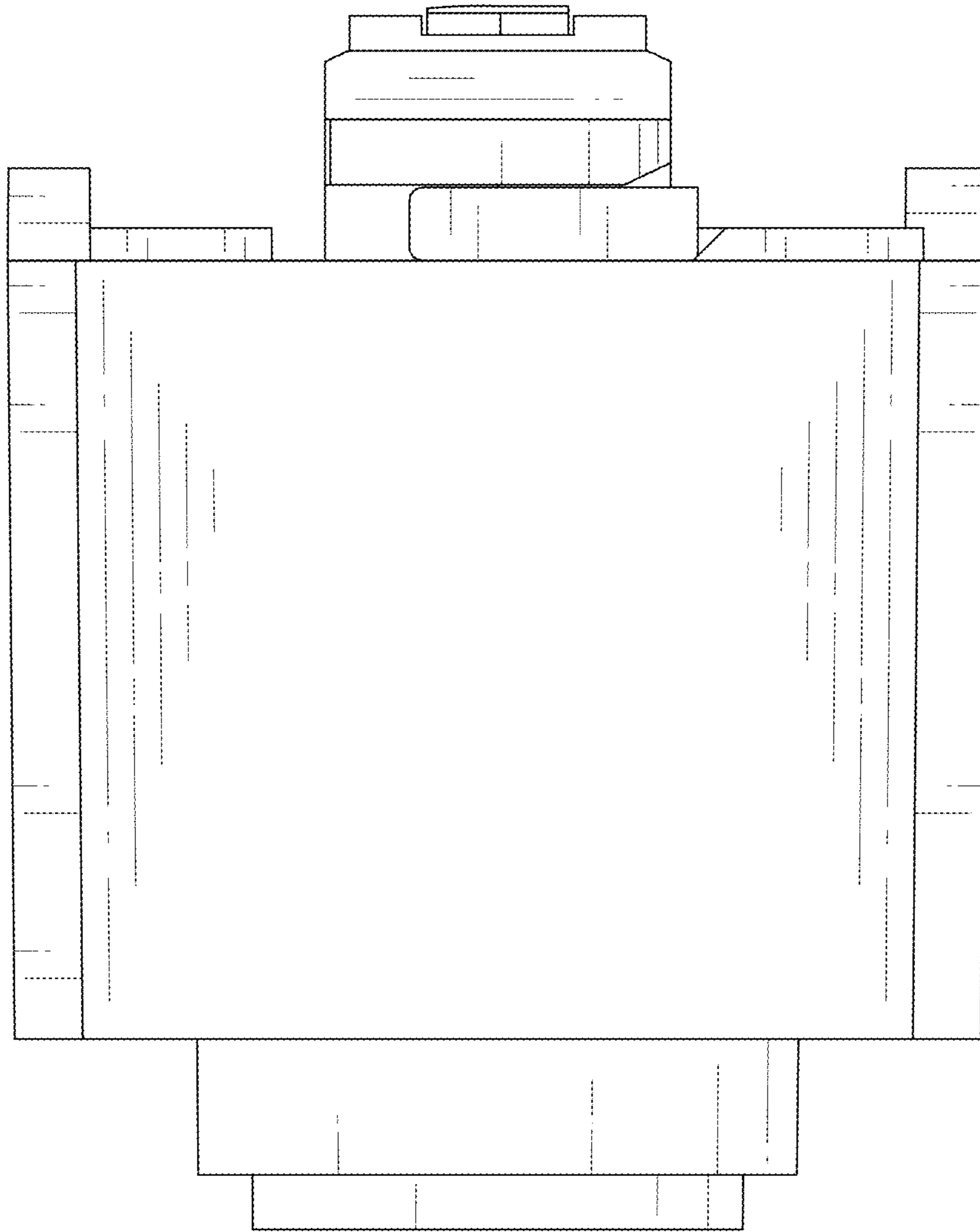


Fig.4

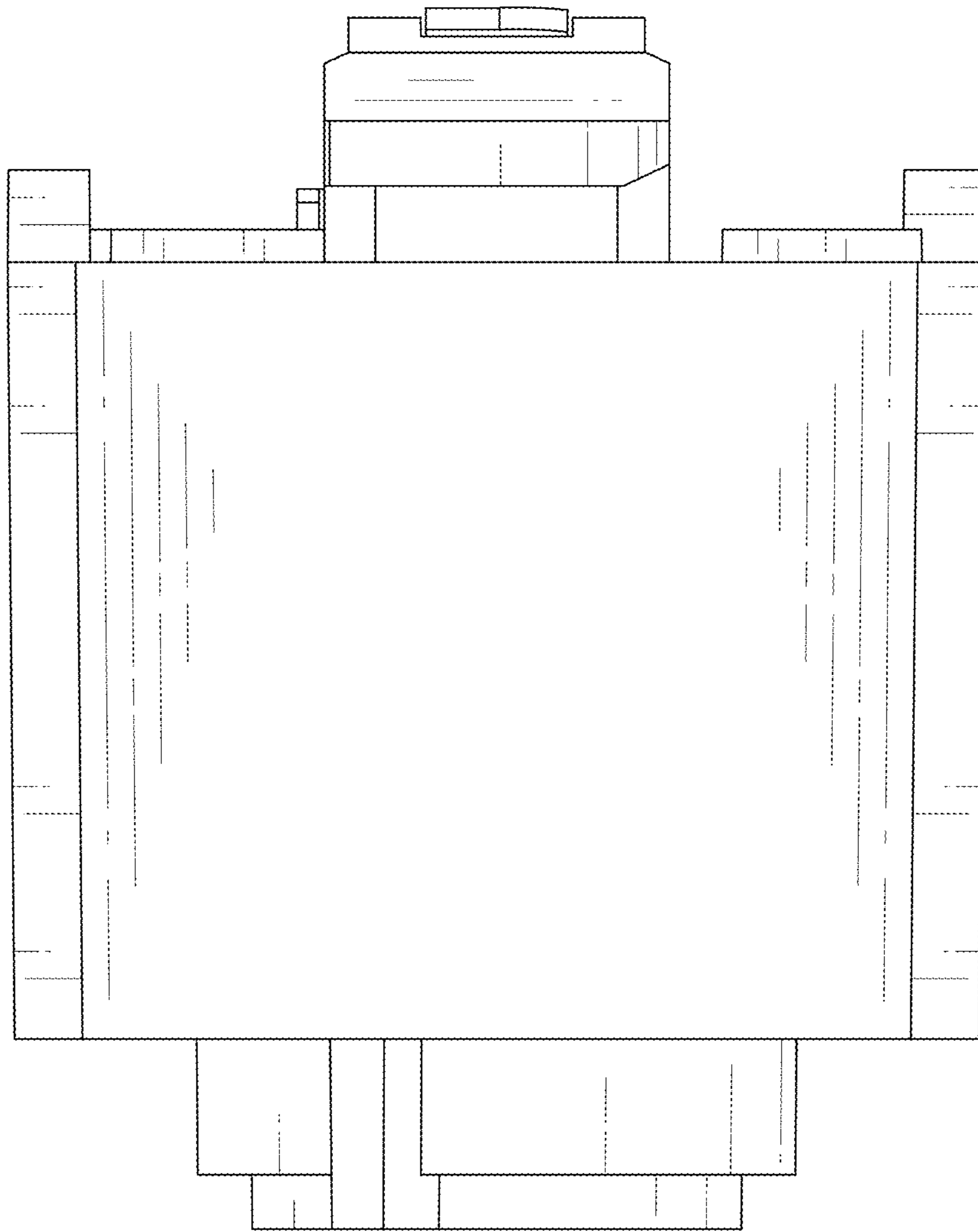


Fig.5

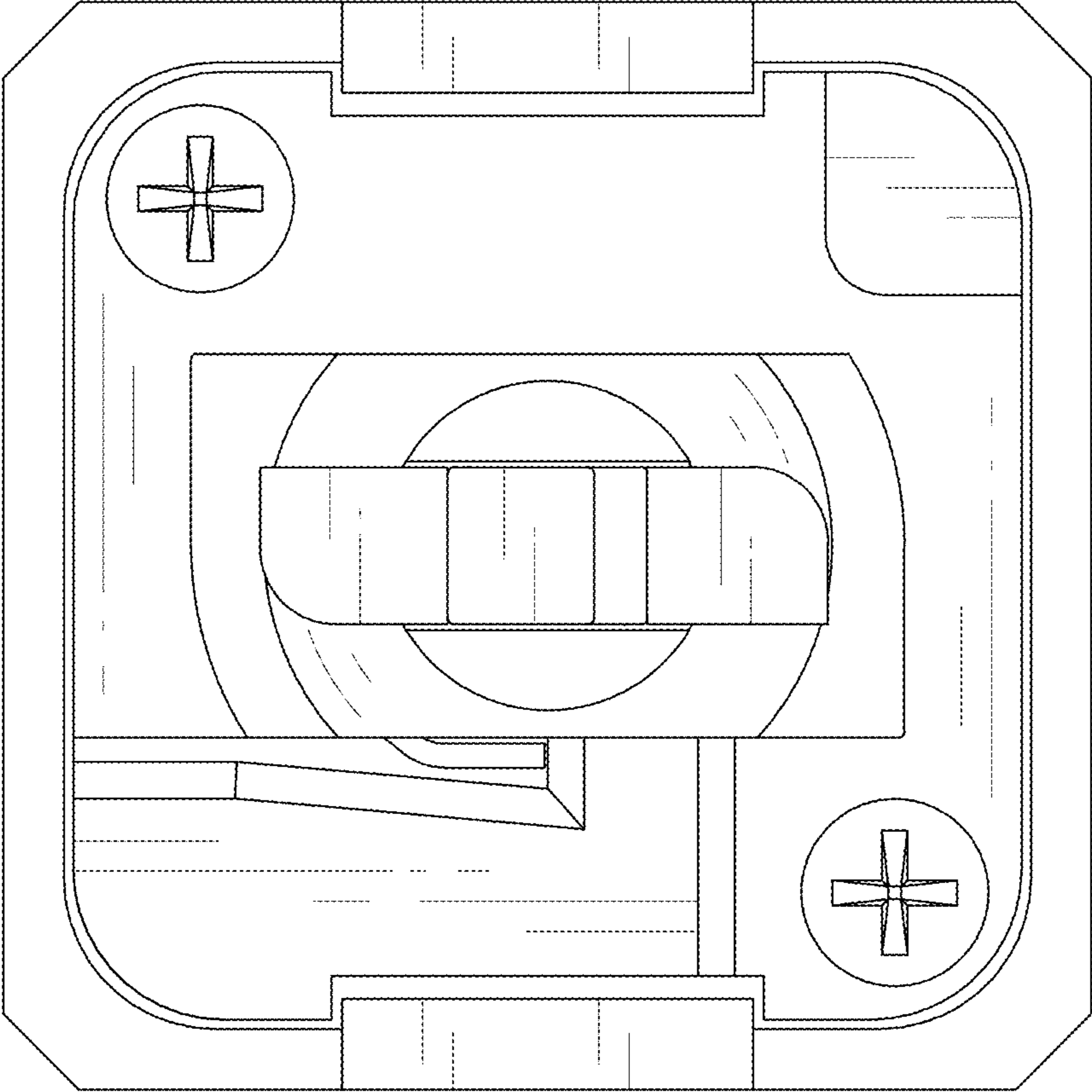


Fig.6

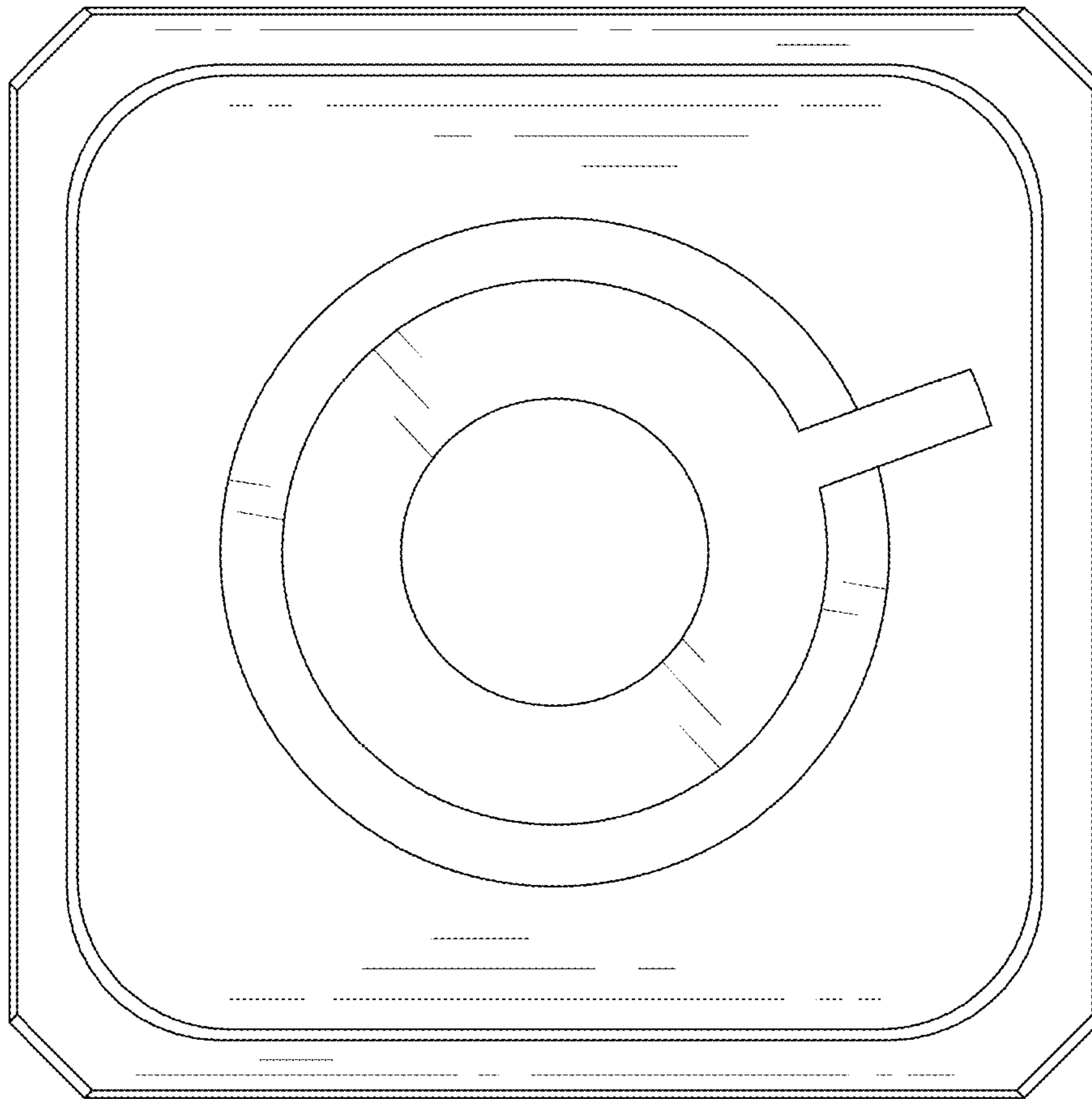


Fig.7

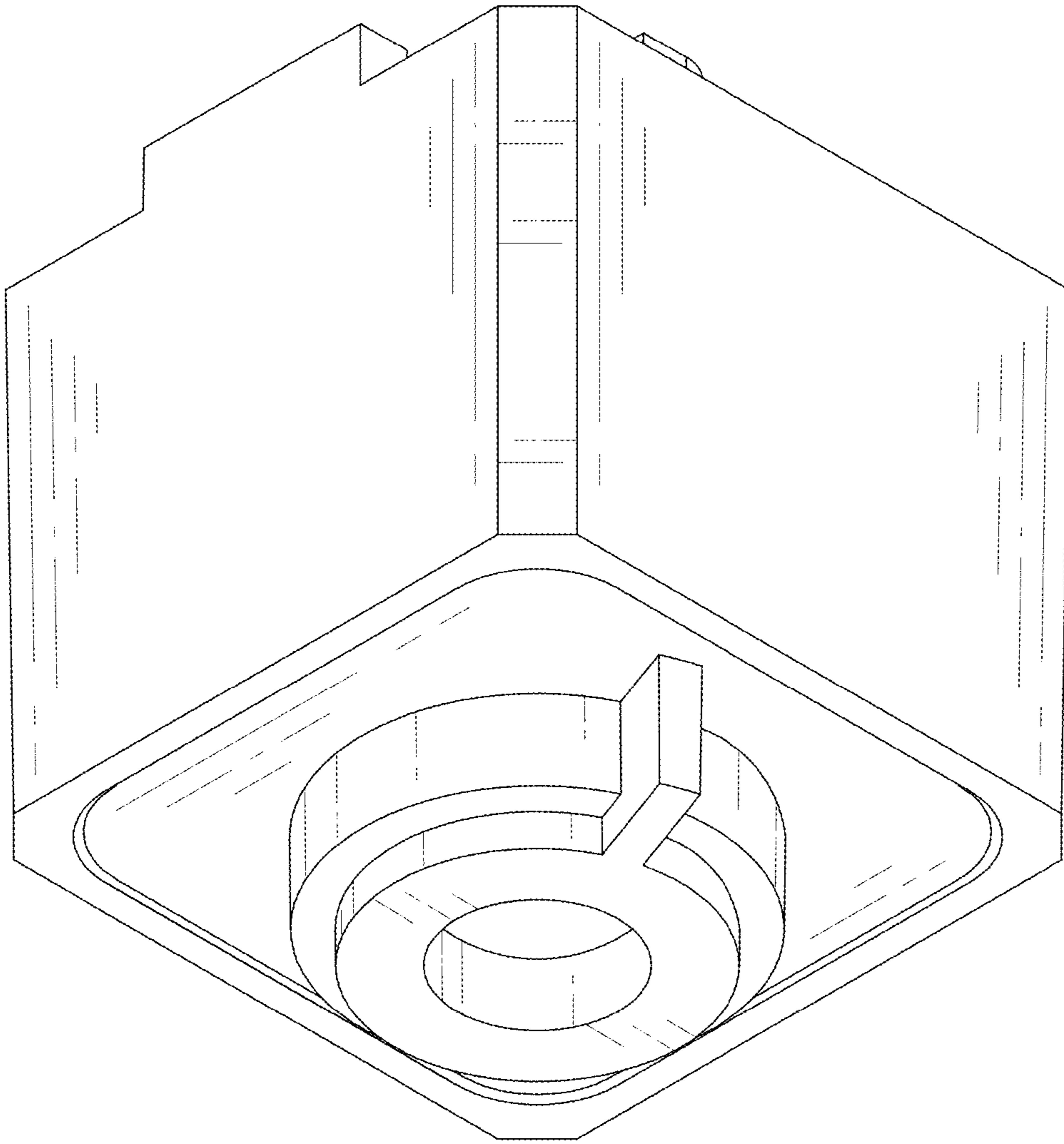


Fig.8