



US00D774245S

(12) **United States Design Patent**  
**Johnson**

(10) **Patent No.:** **US D774,245 S**

(45) **Date of Patent:** **\*\* Dec. 13, 2016**

(54) **TWILIGHT LIGHT BOX**

(71) Applicant: **CLOUD B, INC.**, Gardena, CA (US)

(72) Inventor: **Jeffery Wayne Johnson**, Lawndale, CA (US)

(73) Assignee: **CLOUD B, INC.**, Gardena, CA (US)

(\*\*) Term: **14 Years**

(21) Appl. No.: **29/513,765**

(22) Filed: **Jan. 5, 2015**

(51) **LOC (10) Cl.** ..... **26-99**

(52) **U.S. Cl.**  
USPC ..... **D26/124**

(58) **Field of Classification Search**  
USPC ..... D26/2, 28, 60, 72, 89, 104, 113, 118,  
D26/119, 120, 122, 124, 128, 138, 142,  
D26/143, 145; D13/102, 103, 107, 108,  
D13/179, 180

CPC ..... H01L 2224/48137; F21V 29/006;  
F21V 9/08; F21V 9/12; F21V  
14/02; F21V 21/08; F21V 21/14; F21V  
21/22; F21V 21/29; F21V 21/30; F21V  
23/0442; F21V 23/0492; F21V  
23/04; F21V 33/0052; F21Y  
2101/02; F21Y 2103/00; F21Y 2103/025;  
F21Y 2105/00; F21K 9/00; F21S 2/005;  
F21S 4/008; F21S 8/035; F21S  
8/038; F21S 9/022; F21S 10/00; F21S  
10/002; F21W 2121/00; G01S 3/7864;  
H04N 5/2252; H04N 5/23241; H04N  
7/181; Y02B 10/30; Y10S 362/80

See application file for complete search history.

(56) **References Cited**

**U.S. PATENT DOCUMENTS**

D35,769 S \* 2/1902 Wells ..... 351/159.52  
D161,830 S \* 2/1951 Grossman ..... D26/128  
D265,855 S \* 8/1982 Urbanek ..... D26/122

D284,112 S \* 6/1986 English ..... D26/122  
D293,607 S \* 1/1988 Schwartz ..... D26/26  
D322,550 S \* 12/1991 Evans ..... D26/26  
D347,485 S \* 5/1994 Kira ..... D26/63

(Continued)

**OTHER PUBLICATIONS**

Firefly Night Light , image post date Jan. 3, 2013, site visited Jan. 26, 2016, (online), <<http://www.amazon.com/Discovery-Kids-Firefly-Night-Light/dp/B009XI35MK>>.\*

(Continued)

*Primary Examiner* — Kevin Rudzinski  
*Assistant Examiner* — Sean D Lough  
(74) *Attorney, Agent, or Firm* — Brooks Acordia IP Law, PC

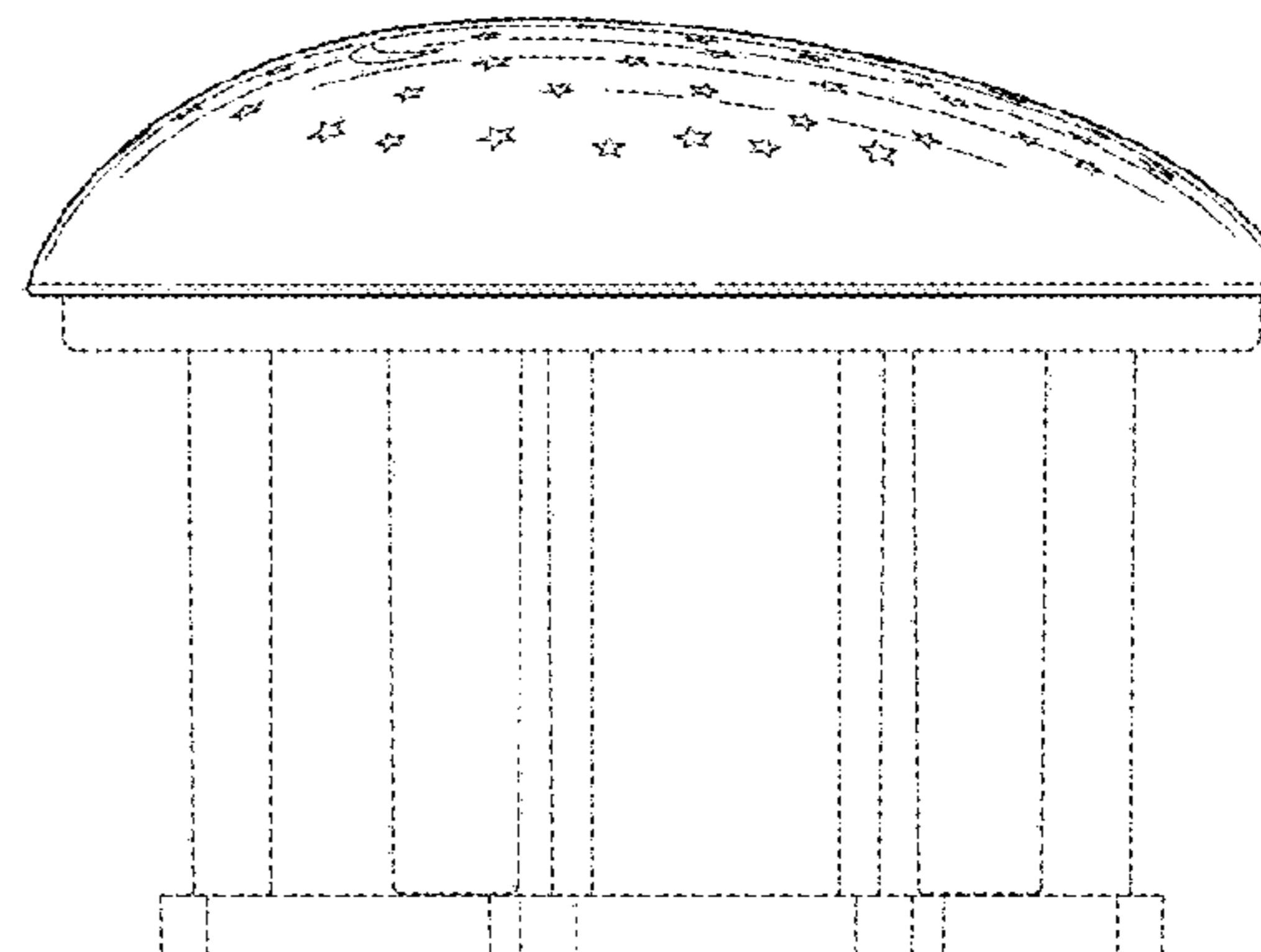
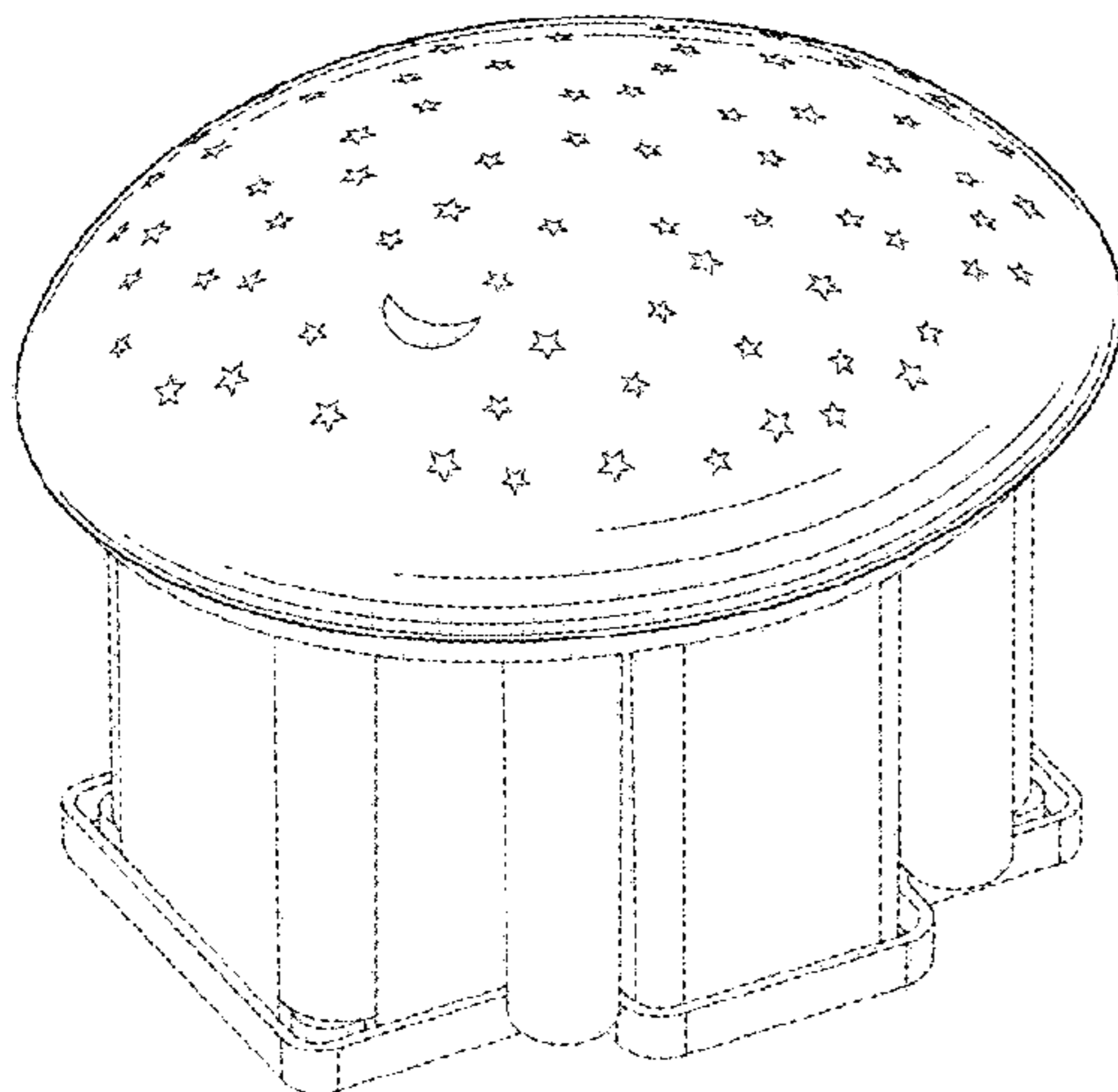
(57) **CLAIM**

The ornamental design for a twilight light box, as shown and described.

**DESCRIPTION**

FIG. 1 is a perspective view of a twilight light box showing our new design;  
FIG. 2 is a right side elevational view of the embodiment of FIG. 1;  
FIG. 3 is a left side elevational view of the embodiment of FIG. 1;  
FIG. 4 is a front elevational view of the embodiment of FIG. 1;  
FIG. 5 is a rear elevational view of the embodiment of FIG. 1;  
FIG. 6 is top plan view of the embodiment of FIG. 1; and,  
FIG. 7 is a bottom plan view of the embodiment of FIG. 1. Surface shading is used to shade FIGS. 1-7 to show clearly the character and contour of all surfaces of the 3-dimensional aspects of the design. The broken lines (where present) in all FIG. views illustrate portions of the twilight light box as environment that forms no part of the claimed design.

**1 Claim, 3 Drawing Sheets**



(56)

## References Cited

## U.S. PATENT DOCUMENTS

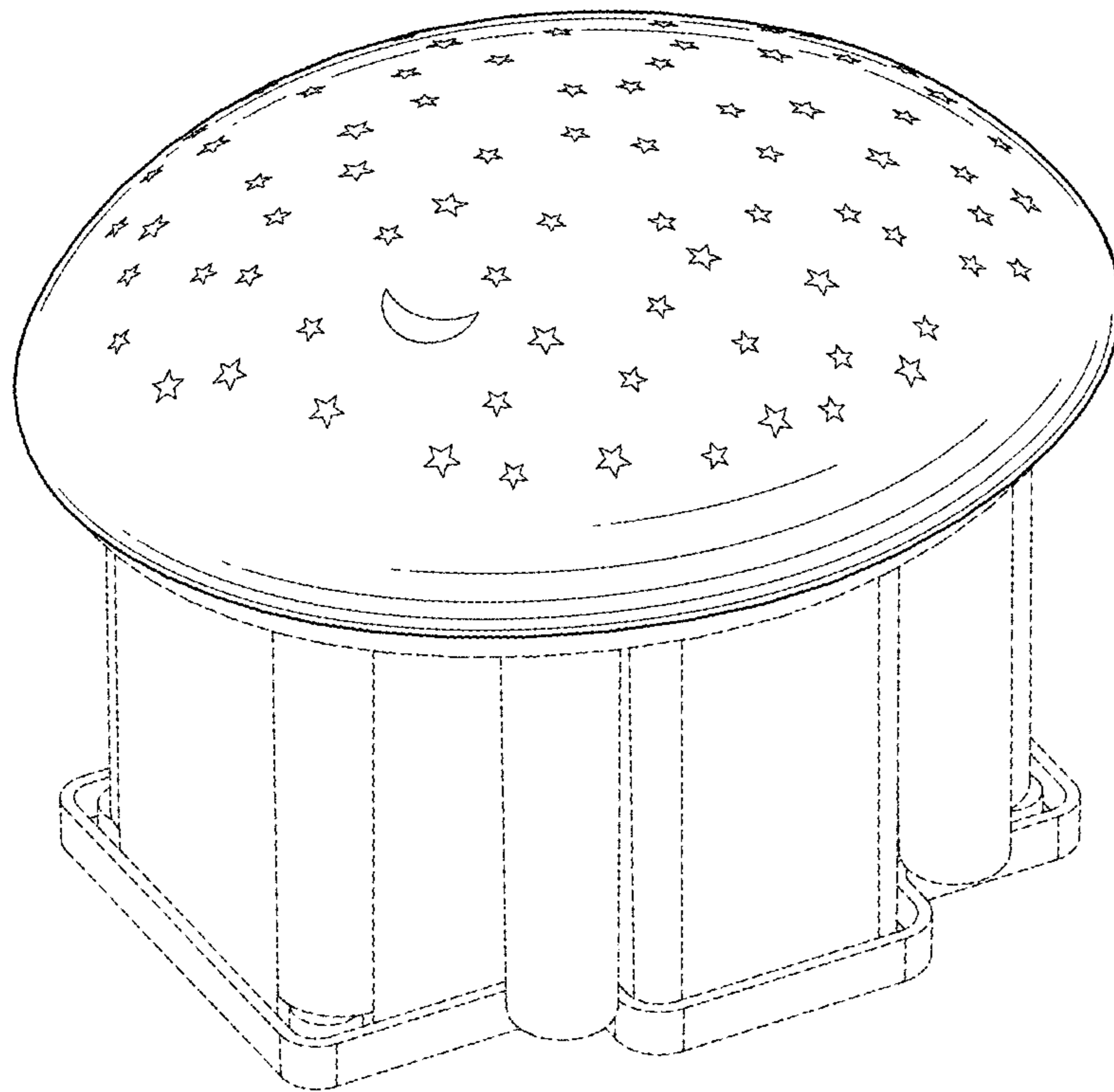
- D362,079 S \* 9/1995 Brown ..... D26/39  
D377,106 S \* 12/1996 Chan ..... D26/62  
5,772,314 A \* 6/1998 Brumer ..... E04B 9/32  
362/147  
D398,415 S \* 9/1998 Markee ..... D26/118  
D439,364 S \* 3/2001 Avigor ..... D26/118  
D455,507 S \* 4/2002 Liu ..... D26/26  
6,499,853 B2 \* 12/2002 Stekelenburg ..... F21S 8/035  
362/231  
D475,480 S \* 6/2003 Huang ..... D26/118  
D491,898 S \* 6/2004 Kamada ..... D13/180  
D492,811 S \* 7/2004 Huang ..... D26/118  
D493,792 S \* 8/2004 Rueb ..... D14/402  
D498,871 S \* 11/2004 Benensohn ..... D26/89  
D501,574 S \* 2/2005 Evans ..... D26/104  
D513,335 S \* 12/2005 Lee ..... D26/37  
D522,157 S \* 5/2006 Schnell ..... D26/60  
7,055,996 B2 \* 6/2006 Pond ..... B60Q 1/32  
362/243  
D545,979 S \* 7/2007 Molenaar ..... D26/26  
D551,385 S \* 9/2007 Huang ..... D26/118  
D559,430 S \* 1/2008 Kuo ..... D26/28  
7,419,294 B2 \* 9/2008 Lai ..... F21S 8/035  
362/606  
D578,670 S \* 10/2008 Li ..... D26/1  
D586,935 S \* 2/2009 Lassen ..... D26/72  
D596,592 S \* 7/2009 Yong ..... D13/180  
D602,586 S \* 10/2009 Foley ..... D24/113  
D618,847 S \* 6/2010 Huang ..... D26/118  
D622,424 S \* 8/2010 Smith ..... D26/26  
7,832,917 B2 \* 11/2010 Chien ..... F21S 8/035  
362/641  
D629,959 S \* 12/2010 Boissevain ..... D26/120  
D633,237 S \* 2/2011 Wang ..... D26/26  
D639,495 S \* 6/2011 Huang ..... D26/118  
8,002,456 B2 \* 8/2011 Chien ..... F21S 4/008  
362/640  
8,035,899 B2 \* 10/2011 Lin ..... G02B 3/10  
359/649  
8,100,571 B2 \* 1/2012 Kracker ..... B60Q 1/0433  
362/487  
D660,896 S \* 5/2012 Wong ..... D16/134  
8,231,260 B2 \* 7/2012 Chien ..... F21S 4/008  
362/311.03  
8,243,018 B2 \* 8/2012 Farag ..... G06F 3/03543  
345/156  
D668,811 S \* 10/2012 Peter ..... D26/89  
D674,447 S \* 1/2013 Johnson ..... D21/603  
D676,130 S \* 2/2013 Lovell ..... D24/112  
D677,438 S \* 3/2013 Miller ..... D30/152  
D677,831 S \* 3/2013 Lin ..... D26/120  
D678,598 S \* 3/2013 Wu ..... D26/120  
D679,443 S \* 4/2013 Parekh ..... D26/118  
D681,242 S \* 4/2013 Tsai ..... D26/28  
D681,249 S \* 4/2013 Tom ..... D23/411  
D683,888 S \* 6/2013 Johnson ..... D26/97  
D690,455 S \* 9/2013 Hagenauer ..... D26/93  
D691,322 S \* 10/2013 Tang ..... D26/124  
D691,323 S \* 10/2013 Tang ..... D26/124  
D691,763 S \* 10/2013 Hand ..... D26/89  
D691,764 S \* 10/2013 Sieczkowski ..... D26/120  
D693,046 S \* 11/2013 Hokazono ..... D26/89  
D694,463 S \* 11/2013 Sieczkowski ..... D26/124  
D698,480 S \* 1/2014 Moeller ..... D26/89  
D699,888 S \* 2/2014 Webb ..... D26/128  
D700,394 S \* 2/2014 Tang ..... D26/124  
D701,638 S \* 3/2014 Inaba ..... D26/124  
8,684,557 B2 \* 4/2014 Totani ..... F21K 9/137  
362/175  
8,733,988 B2 \* 5/2014 Huang ..... F21K 9/13  
362/269  
D712,589 S \* 9/2014 Johnson ..... D26/97  
D715,987 S \* 10/2014 Pugh ..... D26/113  
D717,989 S \* 11/2014 Heim ..... D26/71  
D717,992 S \* 11/2014 Howard ..... D26/125  
8,899,784 B2 \* 12/2014 Meyer ..... F21K 9/50  
362/240  
D721,769 S \* 1/2015 Johnson ..... D21/552  
D723,212 S \* 2/2015 Hsu ..... D26/124  
D723,731 S \* 3/2015 Tompkin ..... D26/98  
D727,558 S \* 4/2015 Tang ..... D26/120  
D728,844 S \* 5/2015 Johnson ..... D26/97  
D731,578 S \* 6/2015 Johnson ..... D16/221  
D732,728 S \* 6/2015 Rischau ..... D26/113  
D735,875 S \* 8/2015 Hagenauer ..... D24/210  
9,114,326 B2 \* 8/2015 Johnson ..... A63H 3/003  
D738,746 S \* 9/2015 Restrepo ..... D10/30  
D740,471 S \* 10/2015 Yu ..... D26/28  
D740,999 S \* 10/2015 Yu ..... D26/120  
D742,770 S \* 11/2015 Windstrup ..... D10/104.1  
D743,073 S \* 11/2015 Schmidt ..... D26/37  
D744,158 S \* 11/2015 Willett ..... D26/120  
D744,470 S \* 12/2015 Stevinson ..... D14/250  
D745,198 S \* 12/2015 Stopka ..... D26/28  
D745,386 S \* 12/2015 Covey ..... D9/416  
D745,469 S \* 12/2015 Farnum ..... D13/156  
D745,472 S \* 12/2015 Feng ..... D13/180  
D745,524 S \* 12/2015 Hung ..... D14/440  
D747,266 S \* 1/2016 Nakaeda ..... D13/108  
2011/0317432 A1 \* 12/2011 Lee ..... F21V 5/04  
362/335  
2014/0104853 A1 \* 4/2014 Lin ..... G02B 19/0061  
362/335  
2014/0328085 A1 \* 11/2014 Johnson ..... F21S 10/00  
362/644

## OTHER PUBLICATIONS

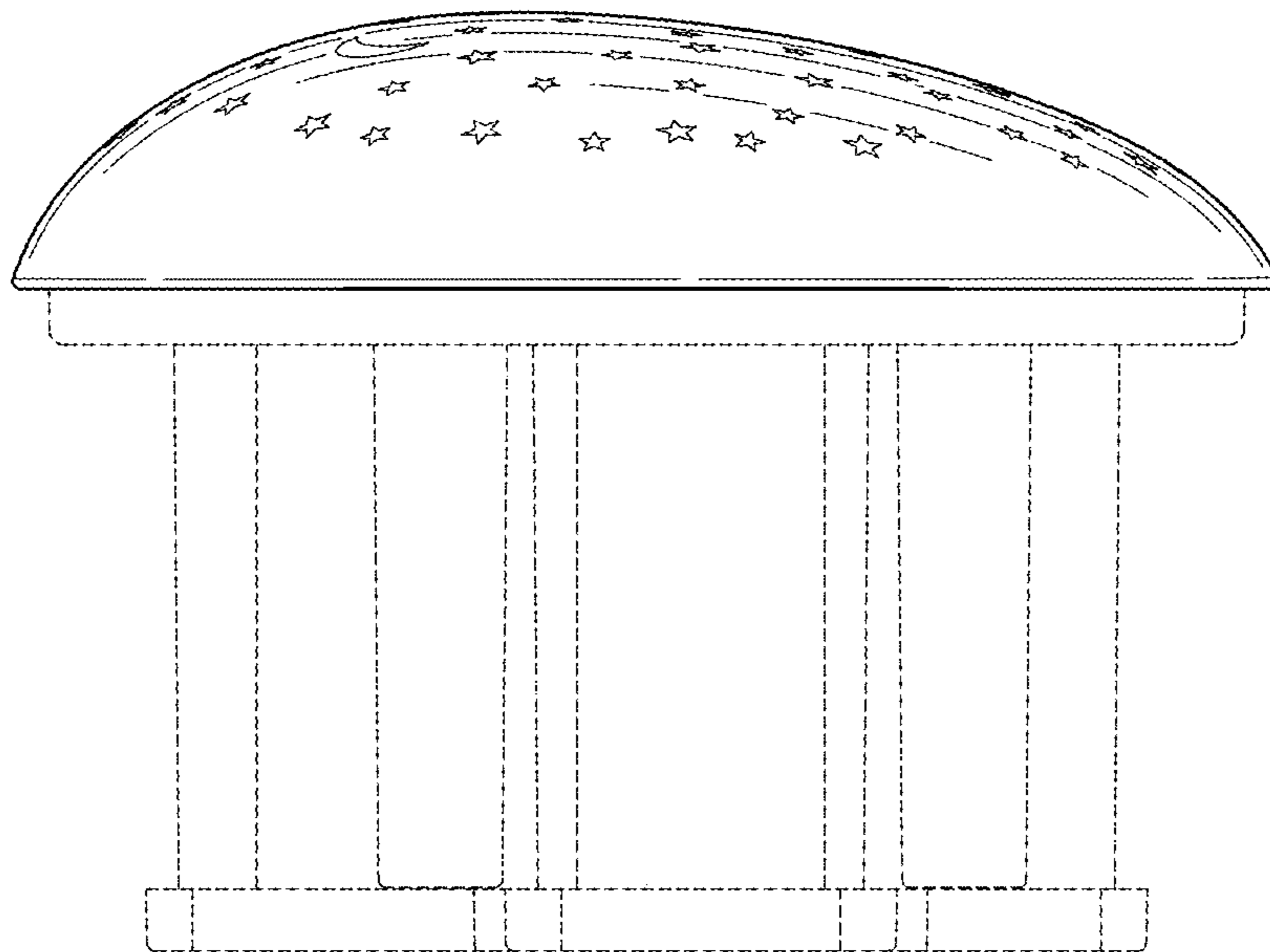
- Firefly Light, image post date Nov. 3, 2014, site visited Jan. 26, 2016, (online), <[http://i.ebayimg.com/00/s/MTA2NVgxNjAw/z/MYEAASwzrxUt58B/\\$\\_1.JPG?set\\_id=880000500F](http://i.ebayimg.com/00/s/MTA2NVgxNjAw/z/MYEAASwzrxUt58B/$_1.JPG?set_id=880000500F)>.\*  
LED Color Change Star Night Light Magic Projection Alarm Table Clock Projector, image post date Dec. 25, 2014, site visited Jan. 26, 2016, (online), <<https://www.tineye.com/search/d7871fec0cc831755b30539cca124a51f5b54d14/>>.\*  
Rotation Starry Star Moon Sky Romantic Night Projector Light Lamp, image post date Nov. 3, 2014, site visited Jan. 26, 2016, (online), <<https://www.tineye.com/search/fd543102a34149d13113e655df2afe201e263594/>>.\*  
Twilight Turtle, image post date Aug. 17, 2011, site visited Aug. 4, 2016, (online), <<http://www.buybuybaby.com/store/product/constellation-nightlight-by-cloud-b-twilight-turtle-in-blue/1018288079?categoryId=32019>>.\*

\* cited by examiner

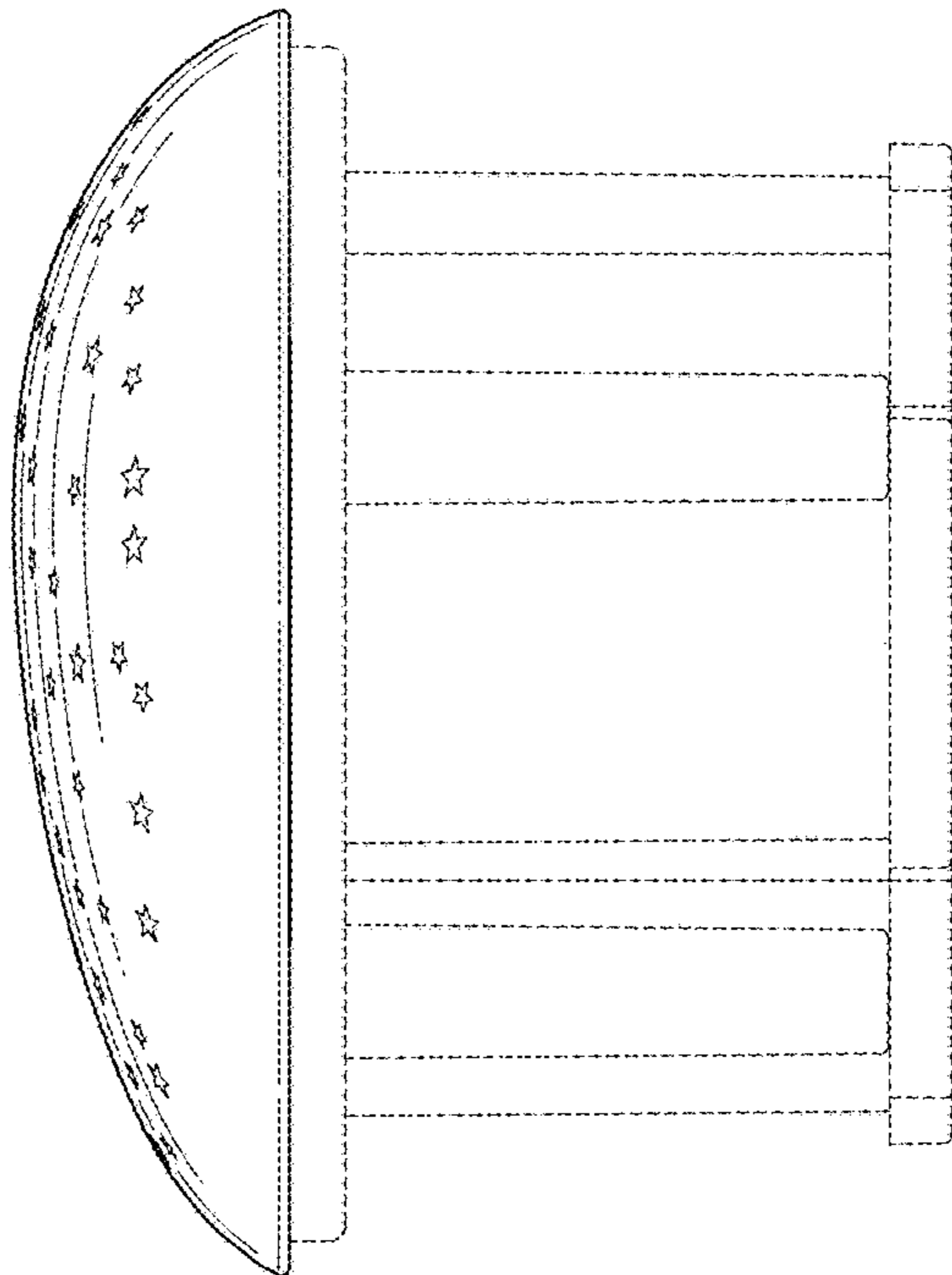
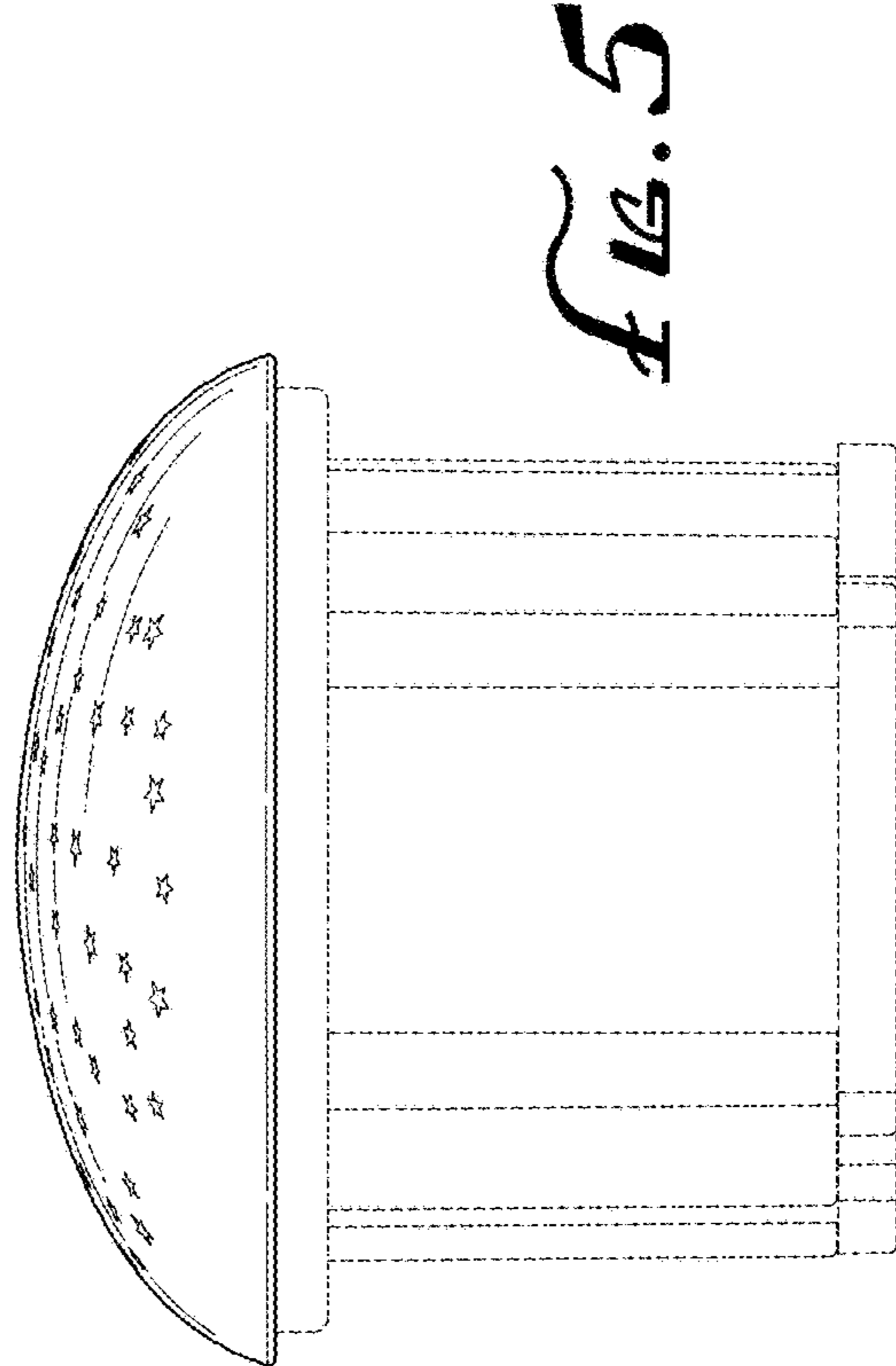
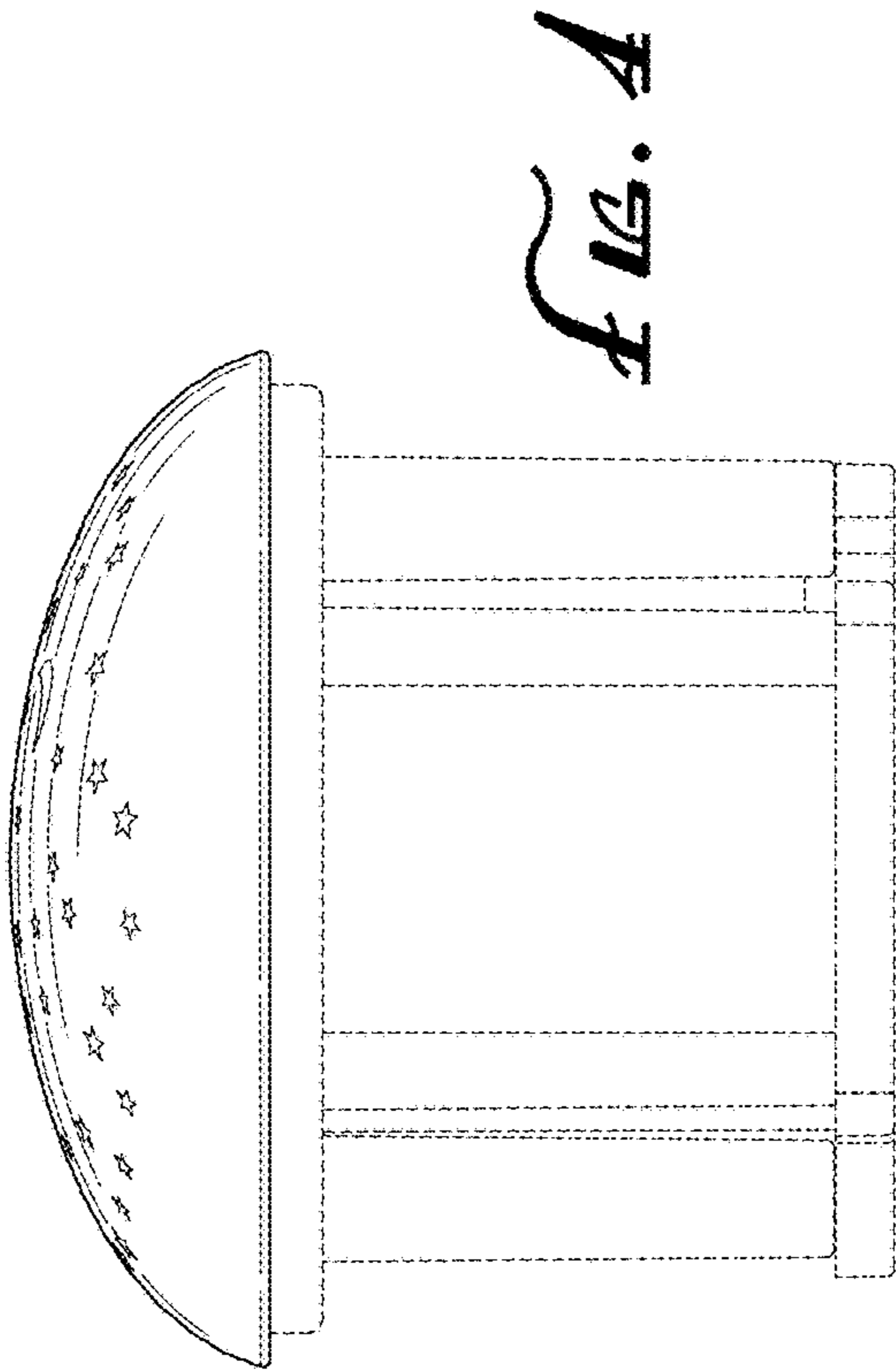


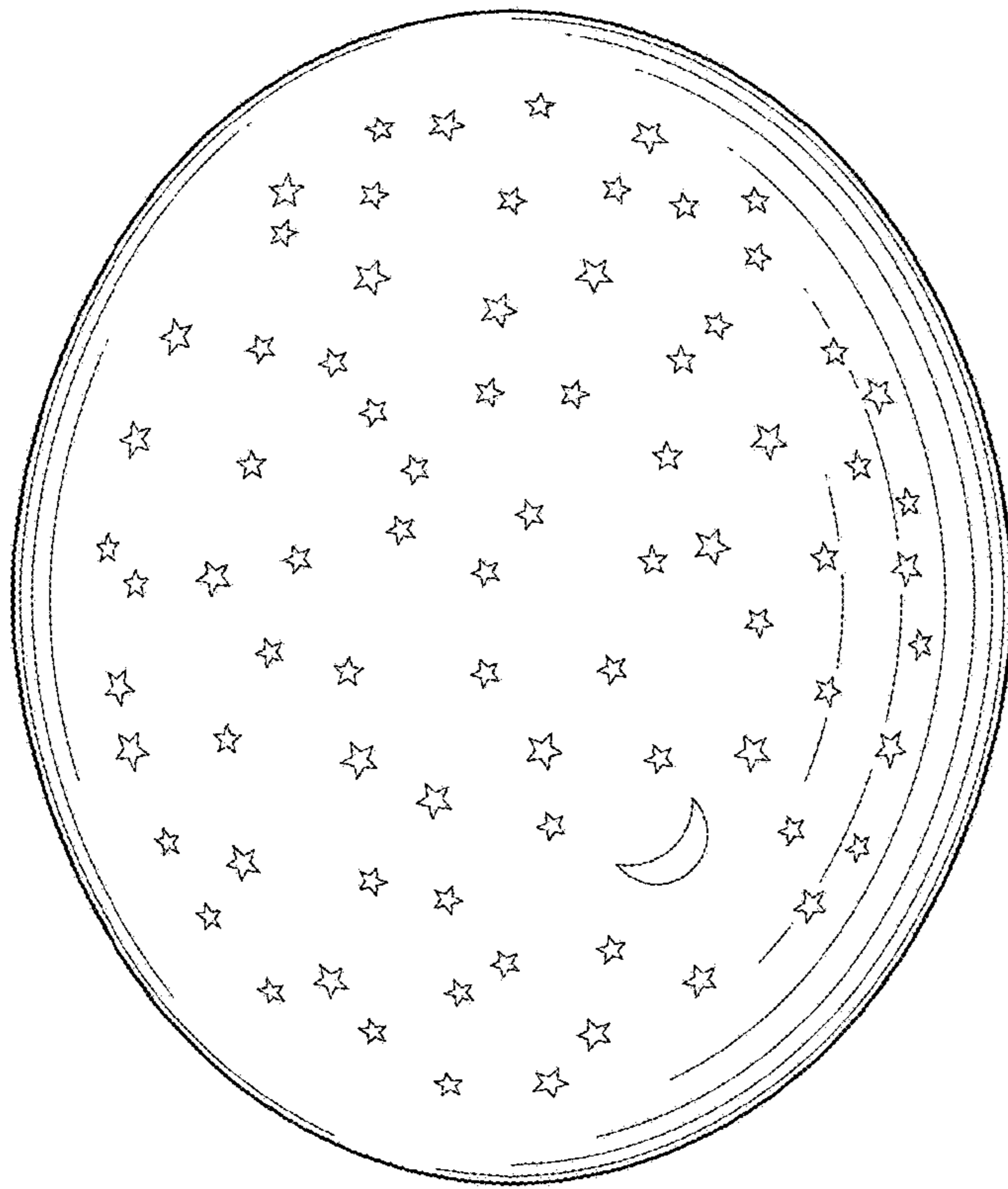


*FIG. 1*



*FIG. 2*





*FIG. 6*

*FIG. 7*

