



US00D774244S

(12) **United States Design Patent**  
**Madril et al.**

(10) **Patent No.:** **US D774,244 S**

(45) **Date of Patent:** **\*\* Dec. 13, 2016**

(54) **LIGHT REFLECTOR**

(71) Applicant: **JST Performance, LLC**, Gilbert, AZ  
(US)

(72) Inventors: **Edgar A. Madril**, Tucson, AZ (US);  
**Ronald G. Holder**, Laguna Niguel, CA  
(US)

(73) Assignee: **JST Performance, LLC**, Gilbert, AZ  
(US)

(\*\*) Term: **15 Years**

(21) Appl. No.: **29/543,956**

(22) Filed: **Oct. 29, 2015**

(51) **LOC (10) Cl.** ..... **26-99**

(52) **U.S. Cl.**  
USPC ..... **D26/118**

(58) **Field of Classification Search**  
USPC ..... D10/18, 21, 24, 25, 27, 28, 46, 93,  
104,D10/106, 113, 116.1, 121, 110, 111;  
D26/1, 24, D26/118, 28  
CPC ..... A63H 30/04; G05G 2009/04748;  
H04B 1/1027; F21S 8/04; F21S  
2/005; F21S 2/00; F21V 15/015; F21V  
27/00; F21V 21/005; F21V 21/14; F21Y  
2103/00; B29D 21/04

See application file for complete search history.

(56) **References Cited**

**U.S. PATENT DOCUMENTS**

D372,677 S \* 8/1996 Albinson ..... D10/25  
D408,310 S \* 4/1999 Hashizume ..... D10/111  
D471,124 S \* 3/2003 Brown ..... D10/111  
D544,640 S \* 6/2007 Sase ..... D26/118  
D621,993 S \* 8/2010 Jong ..... D26/118

D625,880 S \* 10/2010 Leung ..... D26/118  
D650,515 S \* 12/2011 Bradley, Jr. .... D26/118  
D673,067 S \* 12/2012 Kim ..... D26/118

(Continued)

*Primary Examiner* — Brian N Vinson

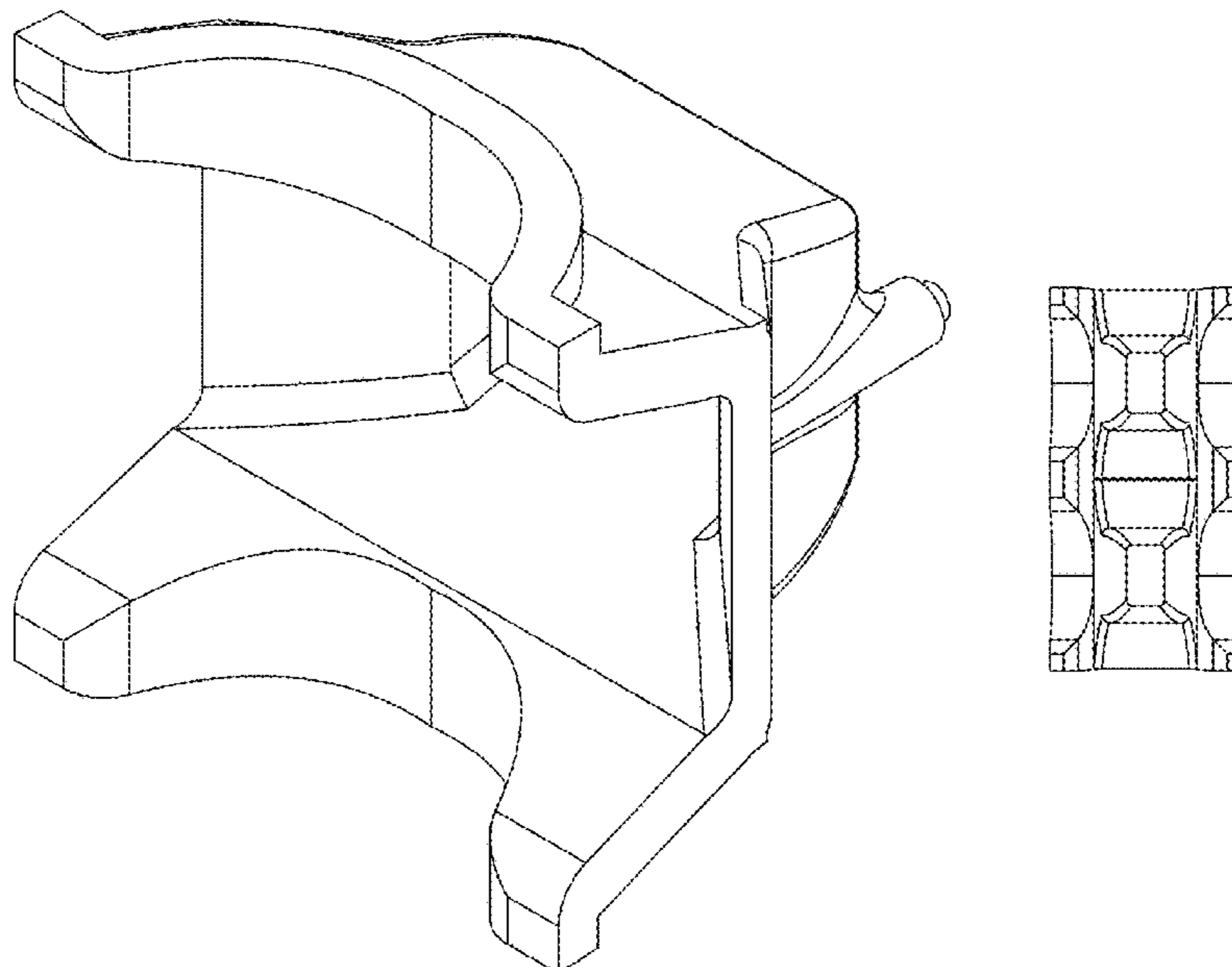
(57) **CLAIM**

The ornamental design for a light reflector, as shown and described.

**DESCRIPTION**

FIG. 1 is a front, right, top perspective view of a light reflector showing our new design;  
FIG. 2 is a front, left, top perspective view thereof;  
FIG. 3 is a front, right, bottom perspective view thereof;  
FIG. 4 is a front, left, bottom perspective view thereof;  
FIG. 5 is a back, right, top perspective view thereof;  
FIG. 6 is a back, left, top perspective view thereof;  
FIG. 7 is a back, right, bottom perspective view thereof;  
FIG. 8 is a back, left, bottom perspective view thereof;  
FIG. 9 is a front side view thereof;  
FIG. 10 is a back side view thereof;  
FIG. 11 is a right side view thereof;  
FIG. 12 is a left side view thereof;  
FIG. 13 is a top view thereof;  
FIG. 14 is a bottom view thereof;  
FIG. 15 is an additional front side view thereof, shown in a different orientation;  
FIG. 16 is a front side view of a second embodiment thereof, the only difference being the number of reflectors;  
FIG. 17 is front side view of a third embodiment thereof, the only difference being the number of reflectors; and,  
FIG. 18 is a front side view of a fourth embodiment thereof, the only difference being the number of reflectors.

**1 Claim, 15 Drawing Sheets**



(56)

**References Cited**

U.S. PATENT DOCUMENTS

D686,362 S	*	7/2013	Melrose .....	D26/118
D717,478 S	*	11/2014	Perini .....	D26/28
D731,702 S	*	6/2015	Ye .....	D26/118
D756,023 S	*	5/2016	Hoffer .....	D26/118
D760,944 S	*	7/2016	Kaminski .....	D26/118

\* cited by examiner

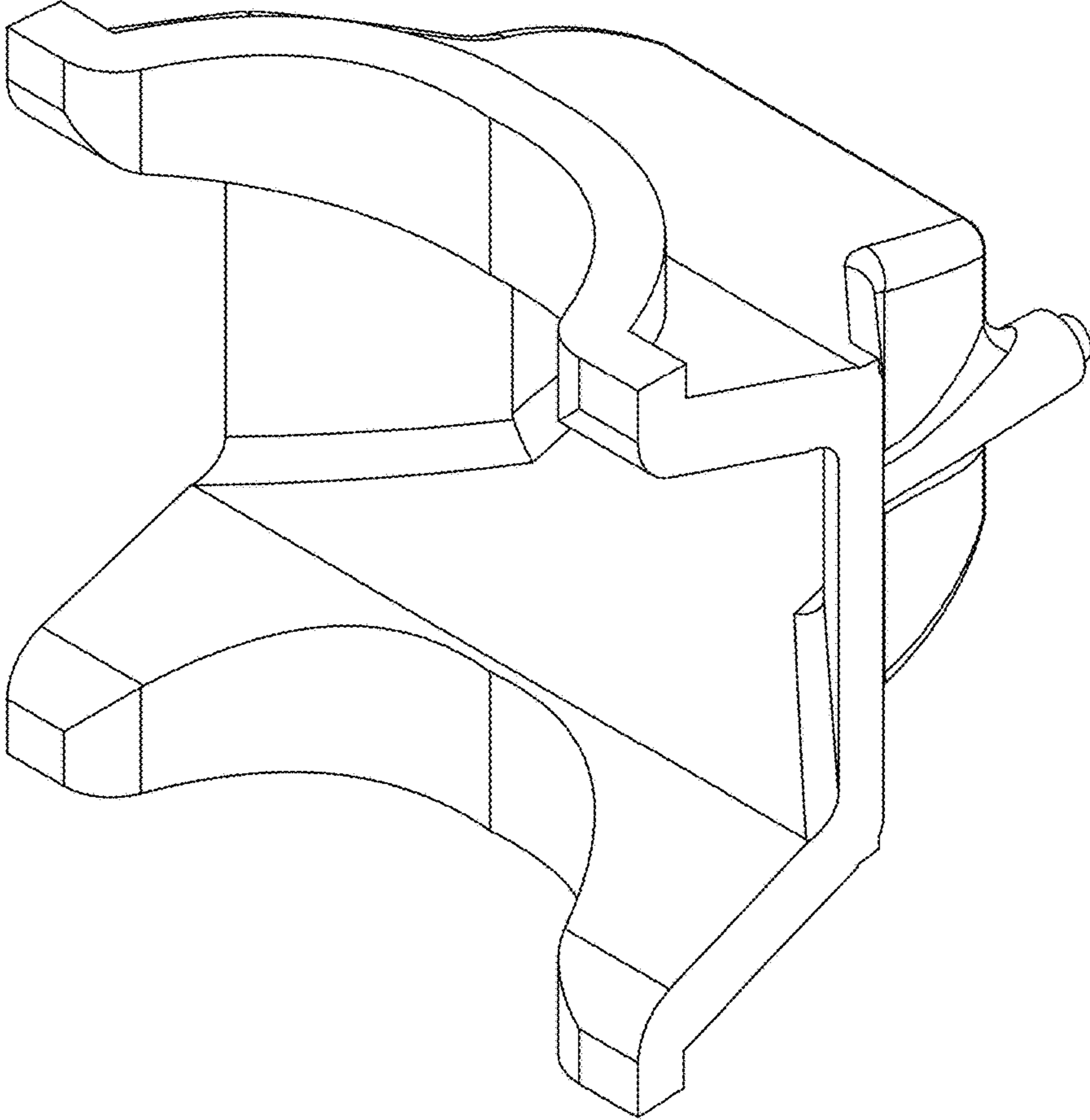


FIG. 1

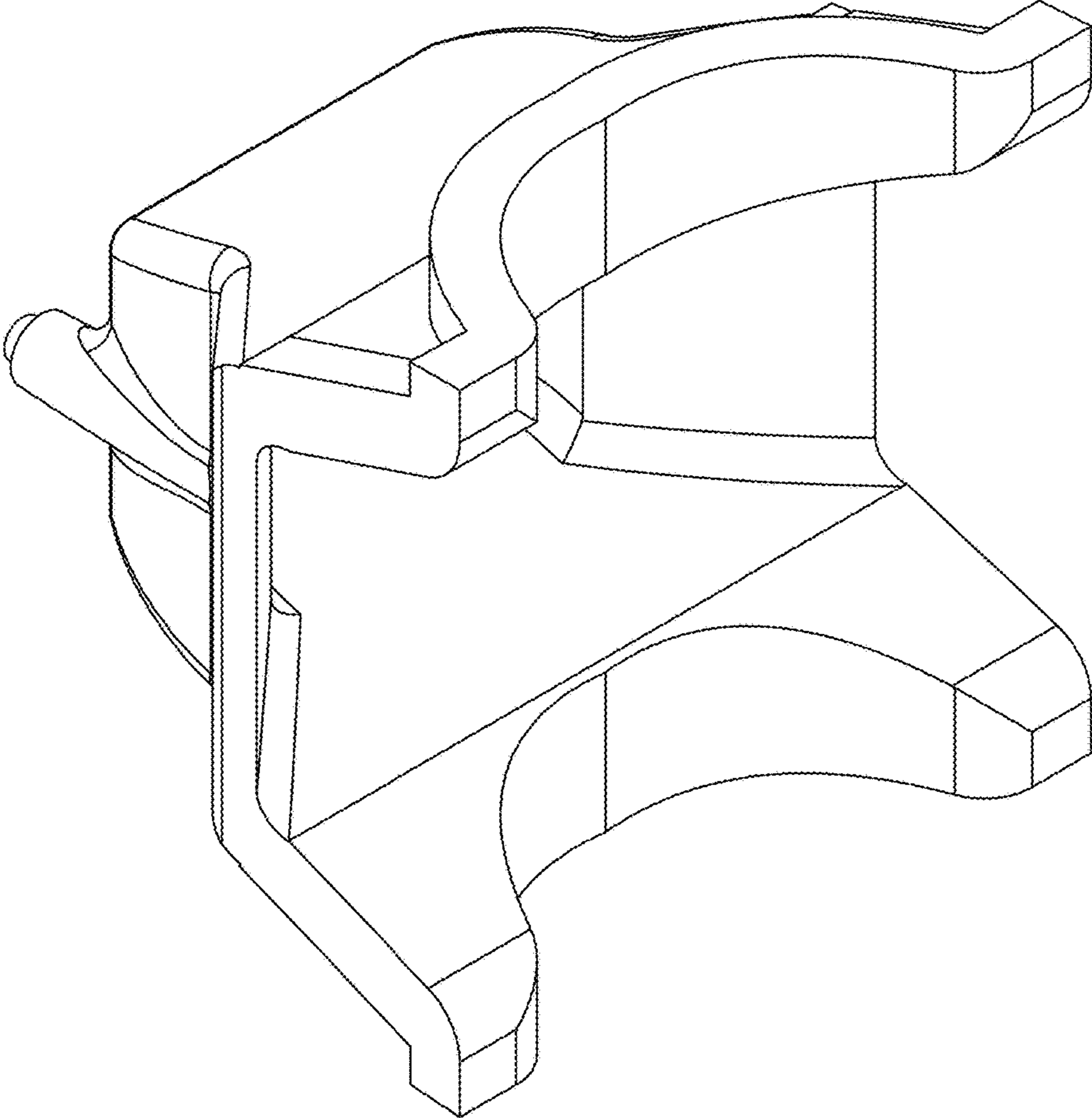


FIG. 2

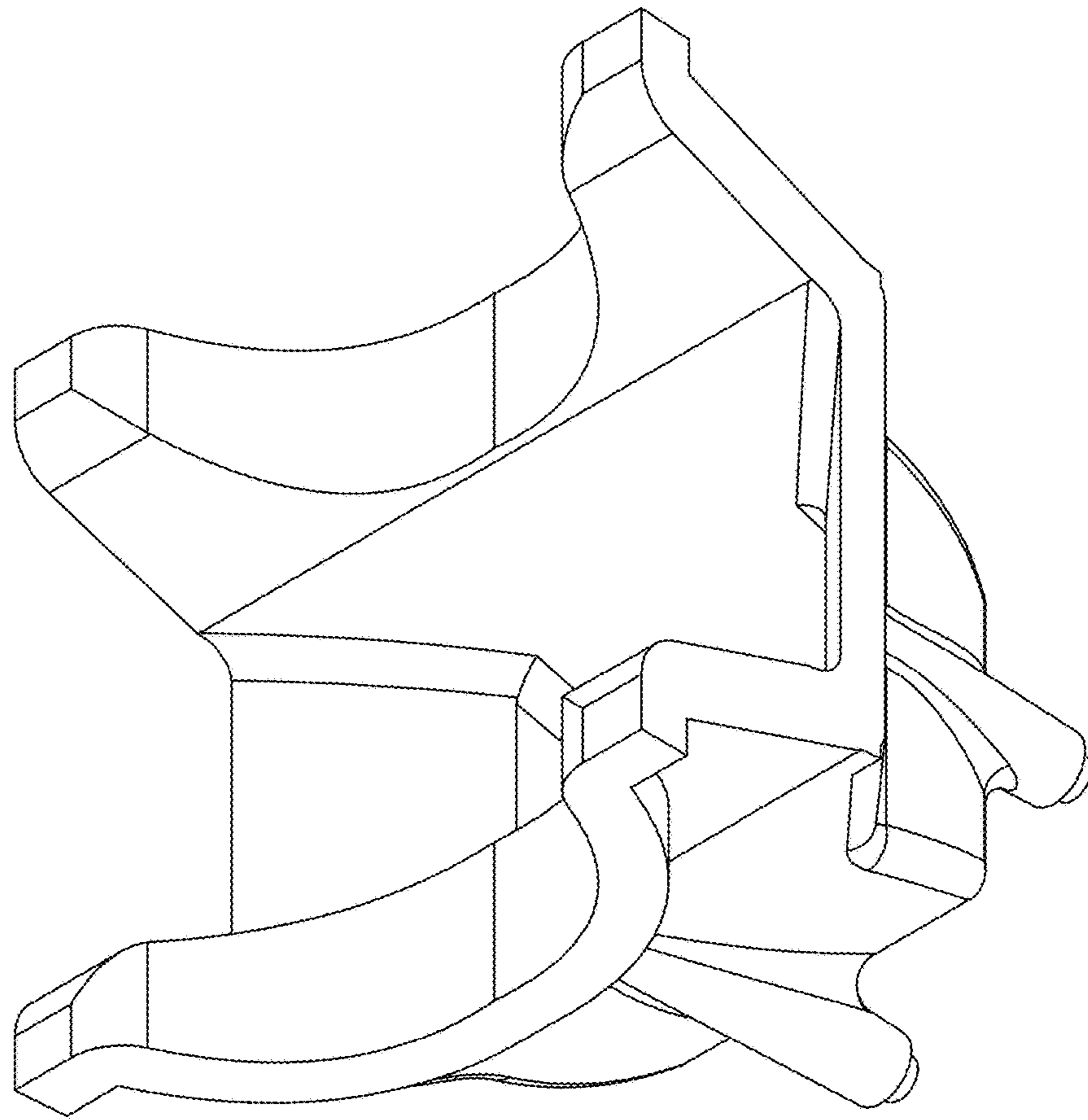


FIG. 3

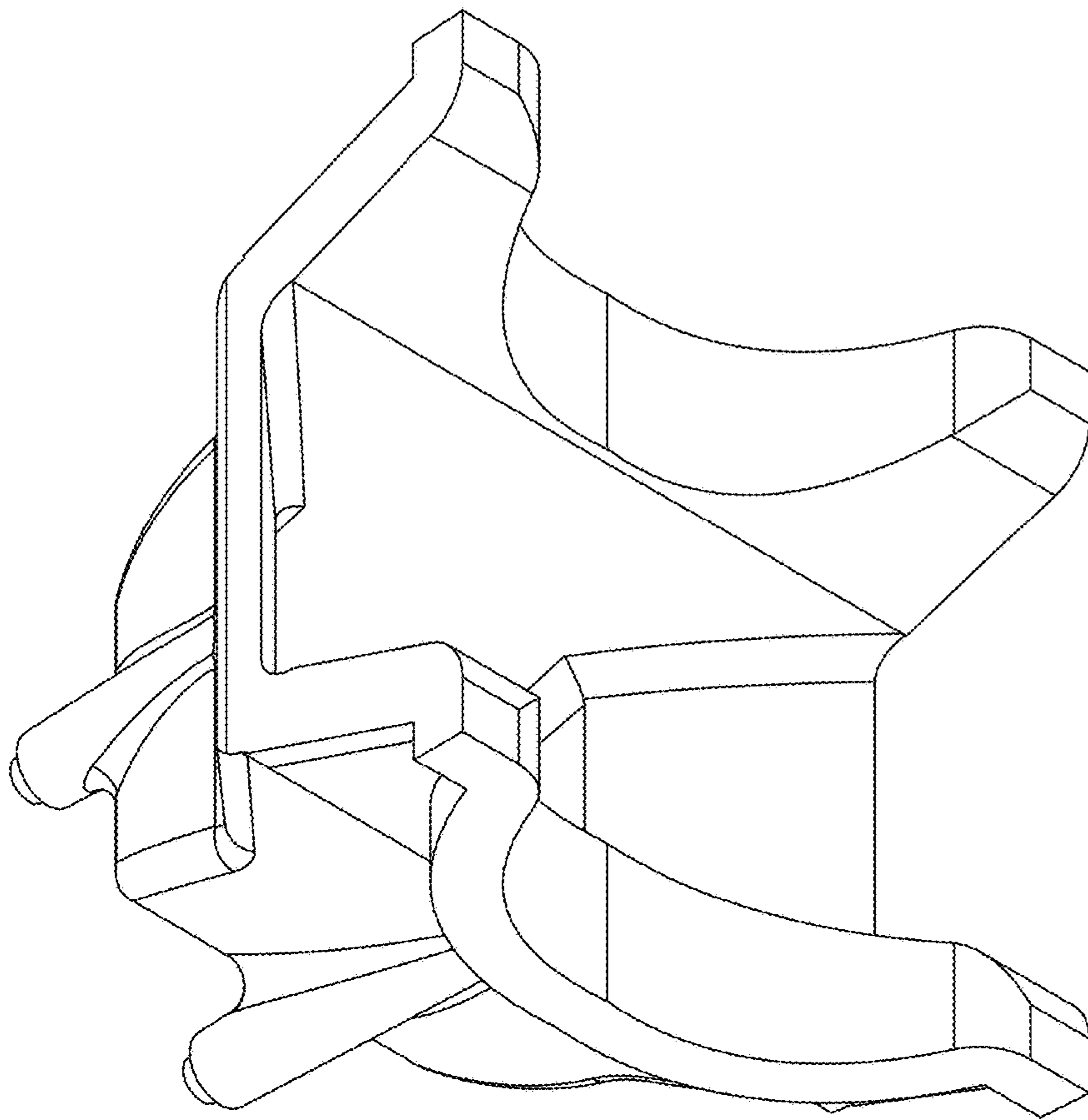


FIG. 4

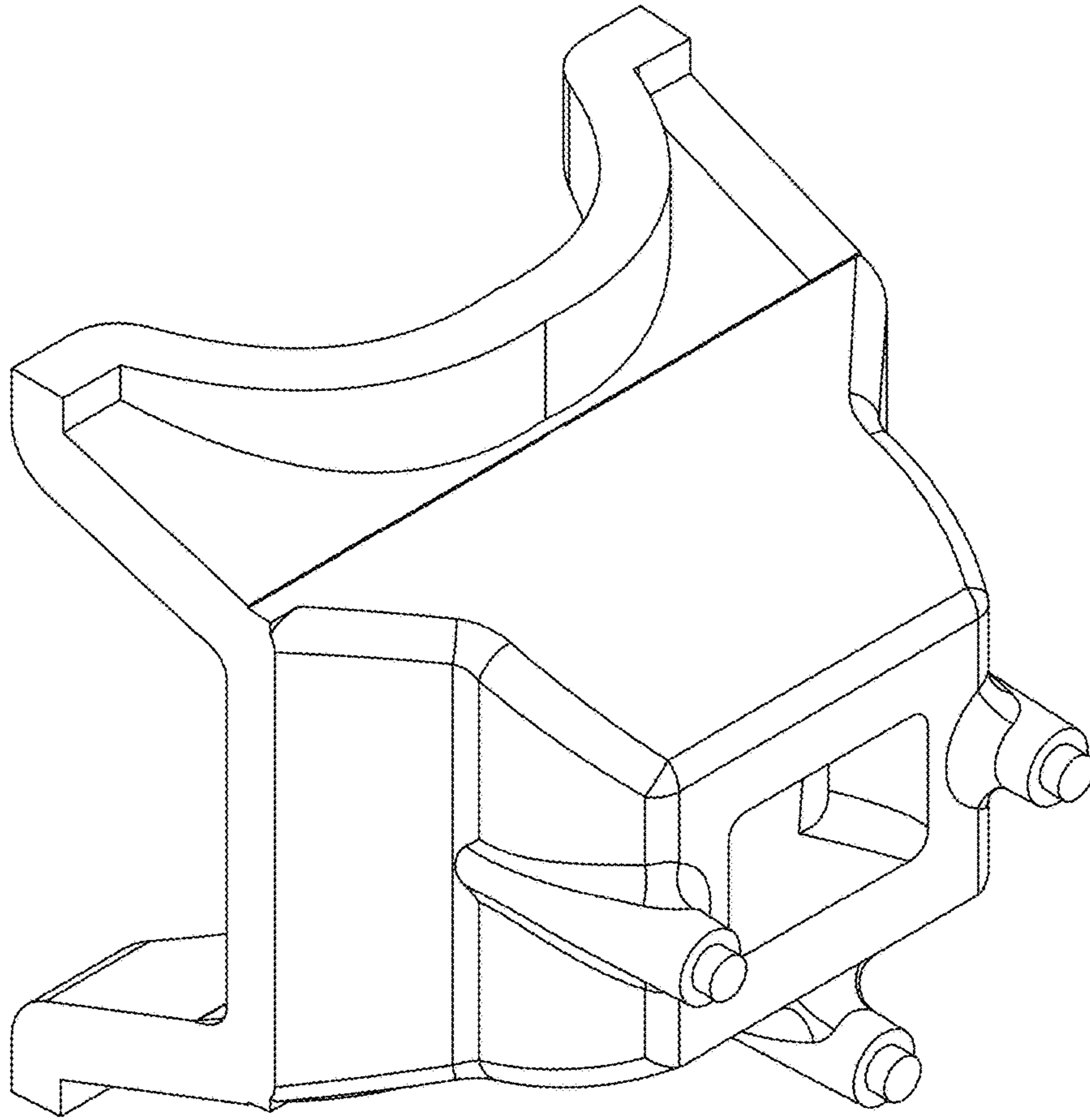


FIG. 5

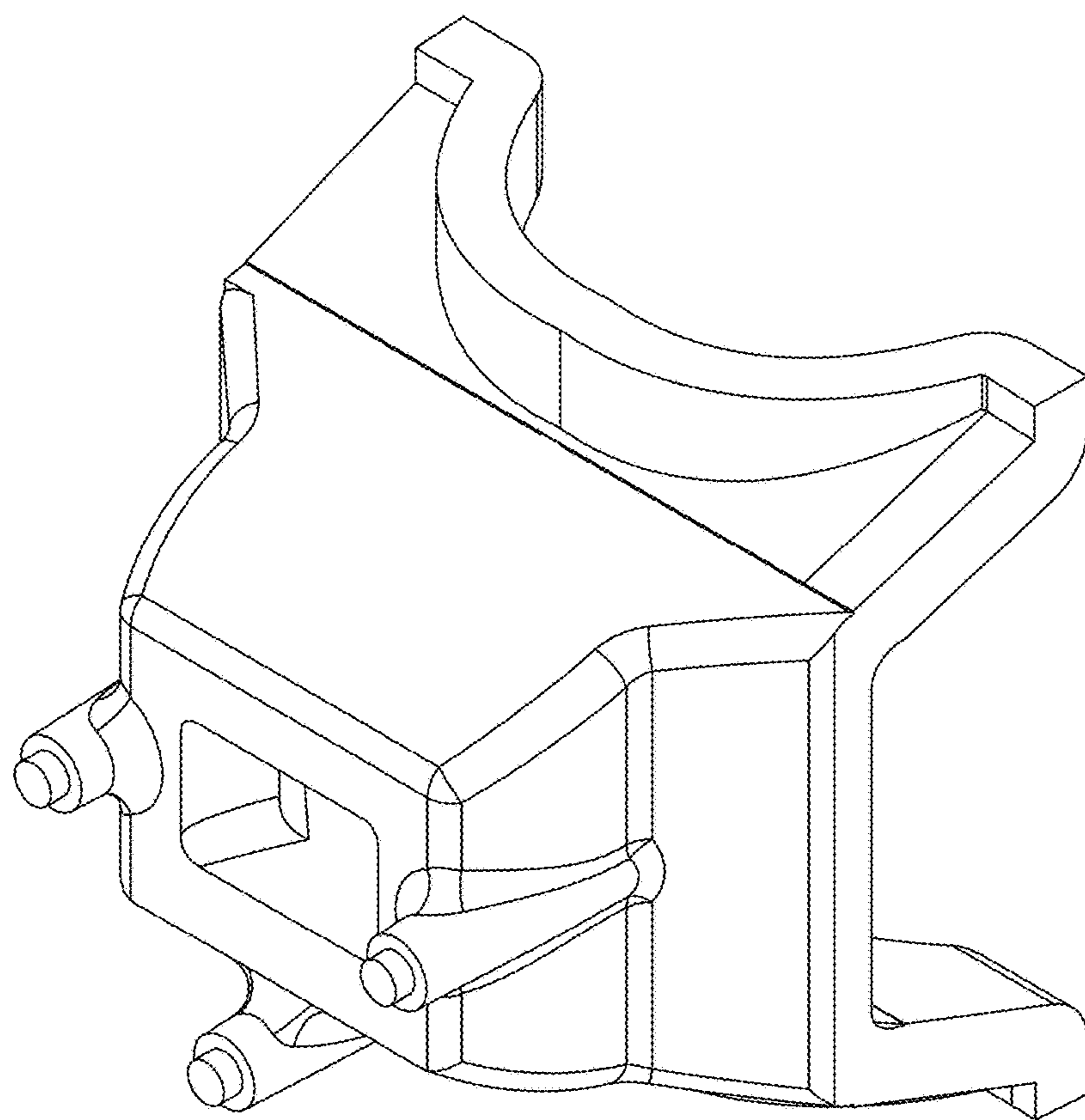


FIG. 6



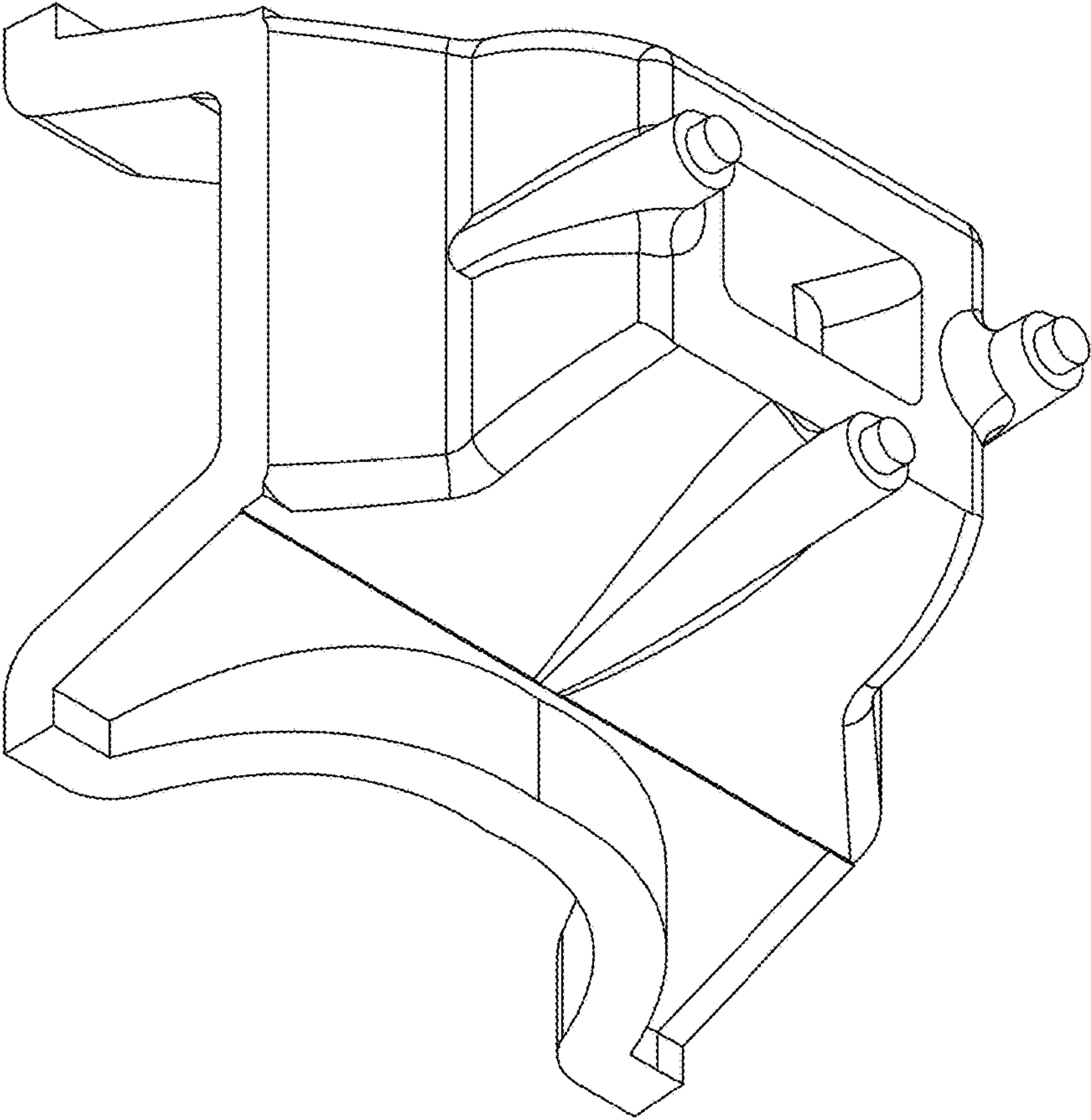


FIG. 7

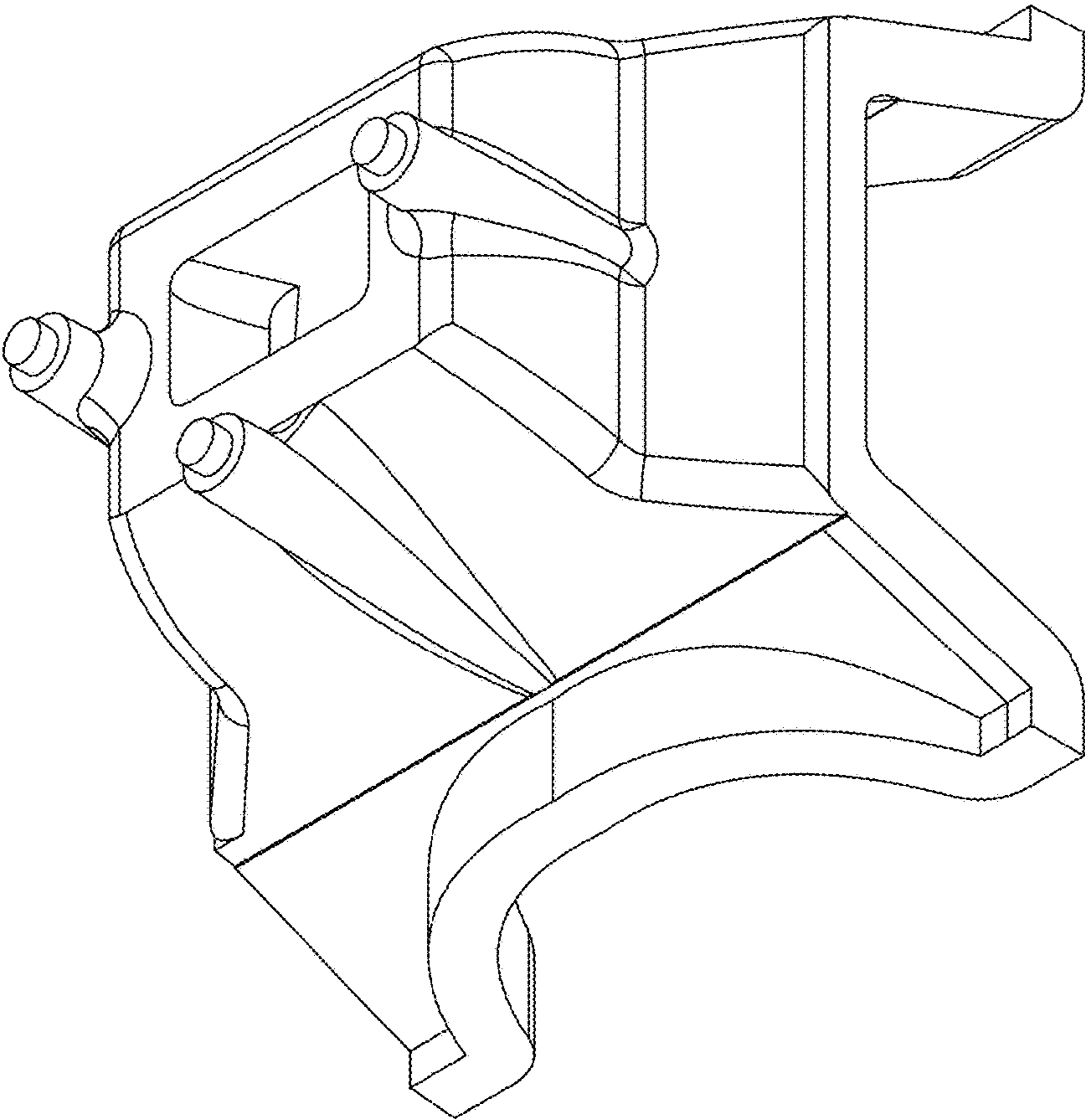


FIG. 8

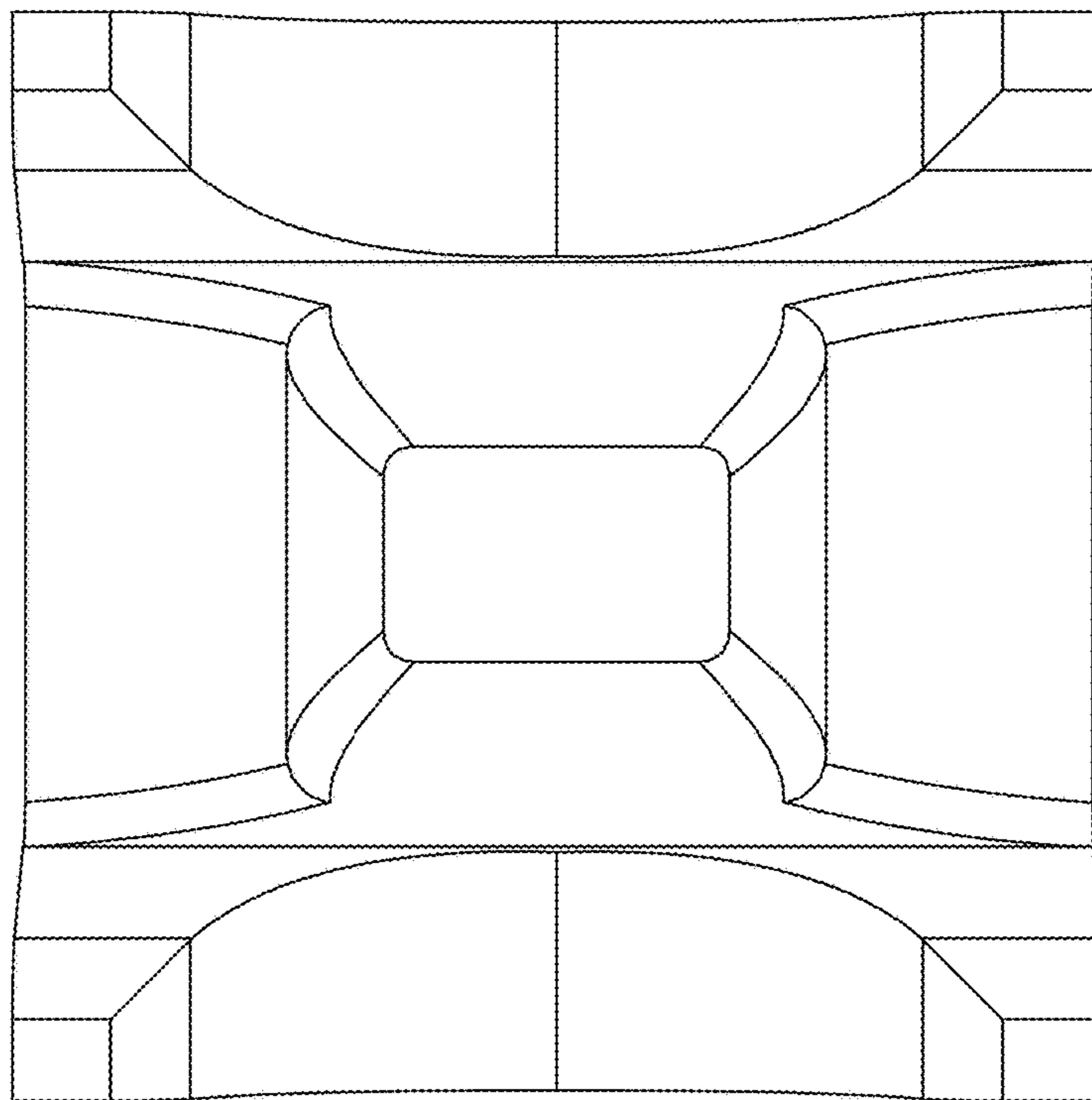


FIG. 9

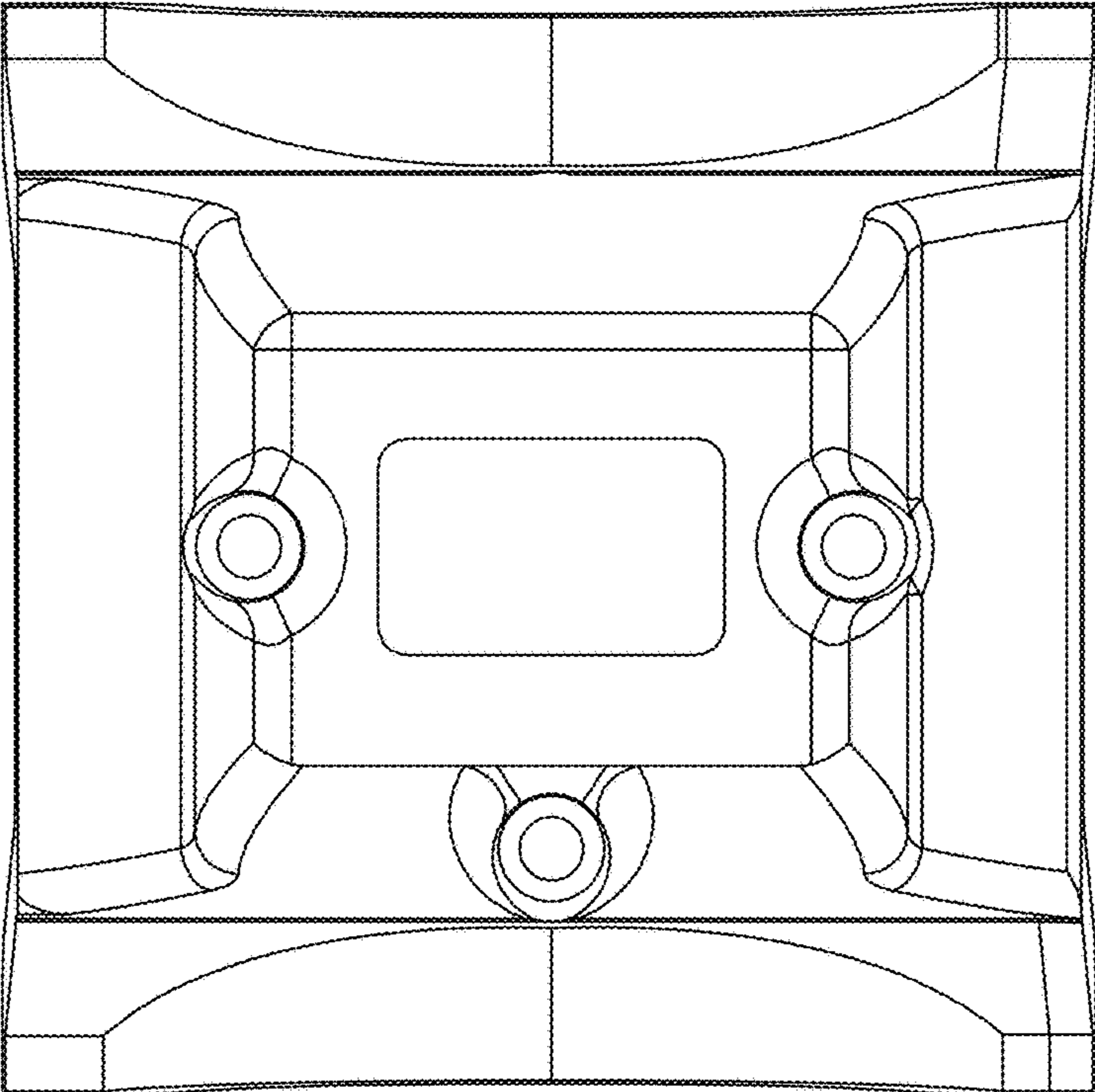


FIG. 10

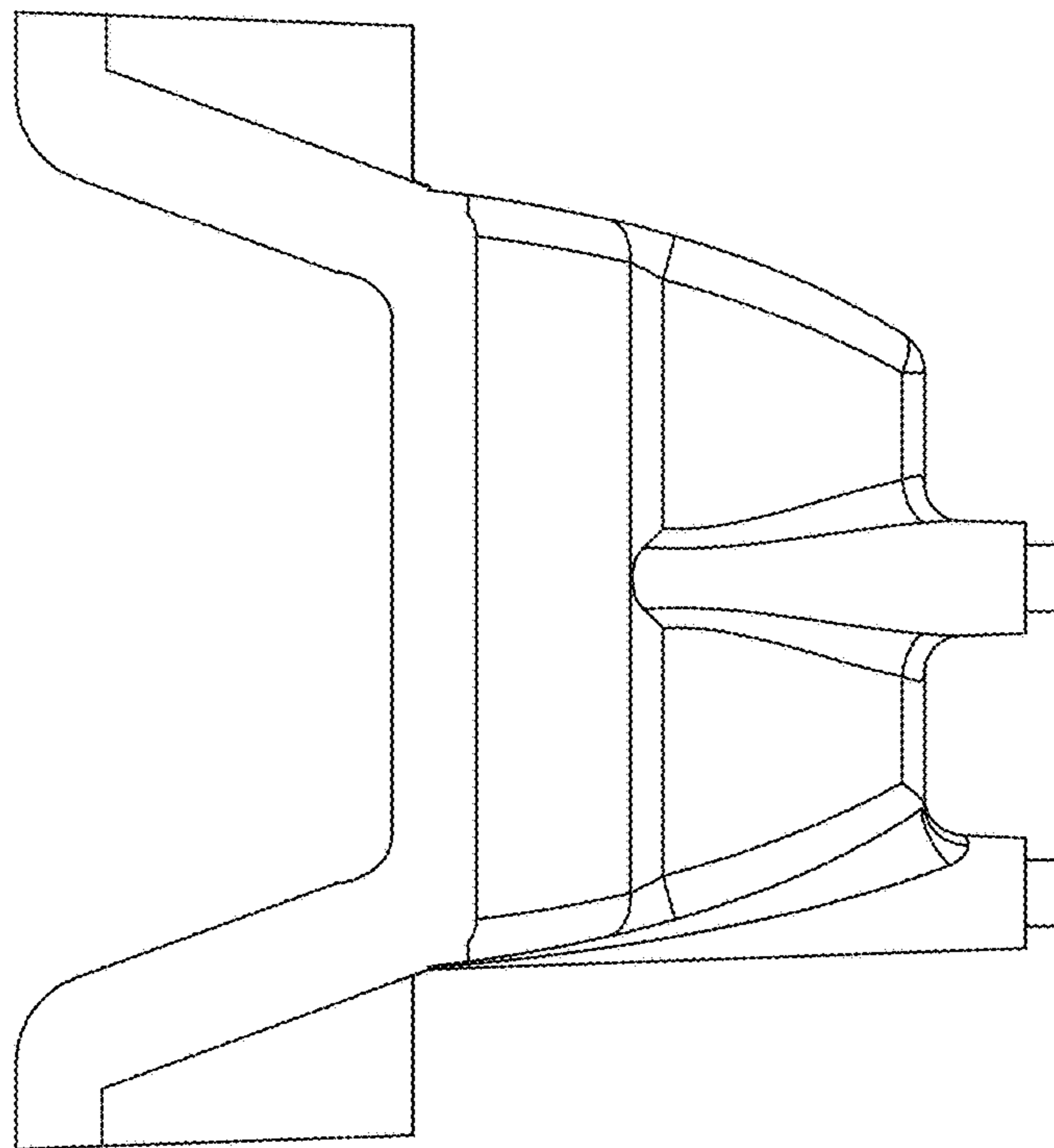


FIG. 11

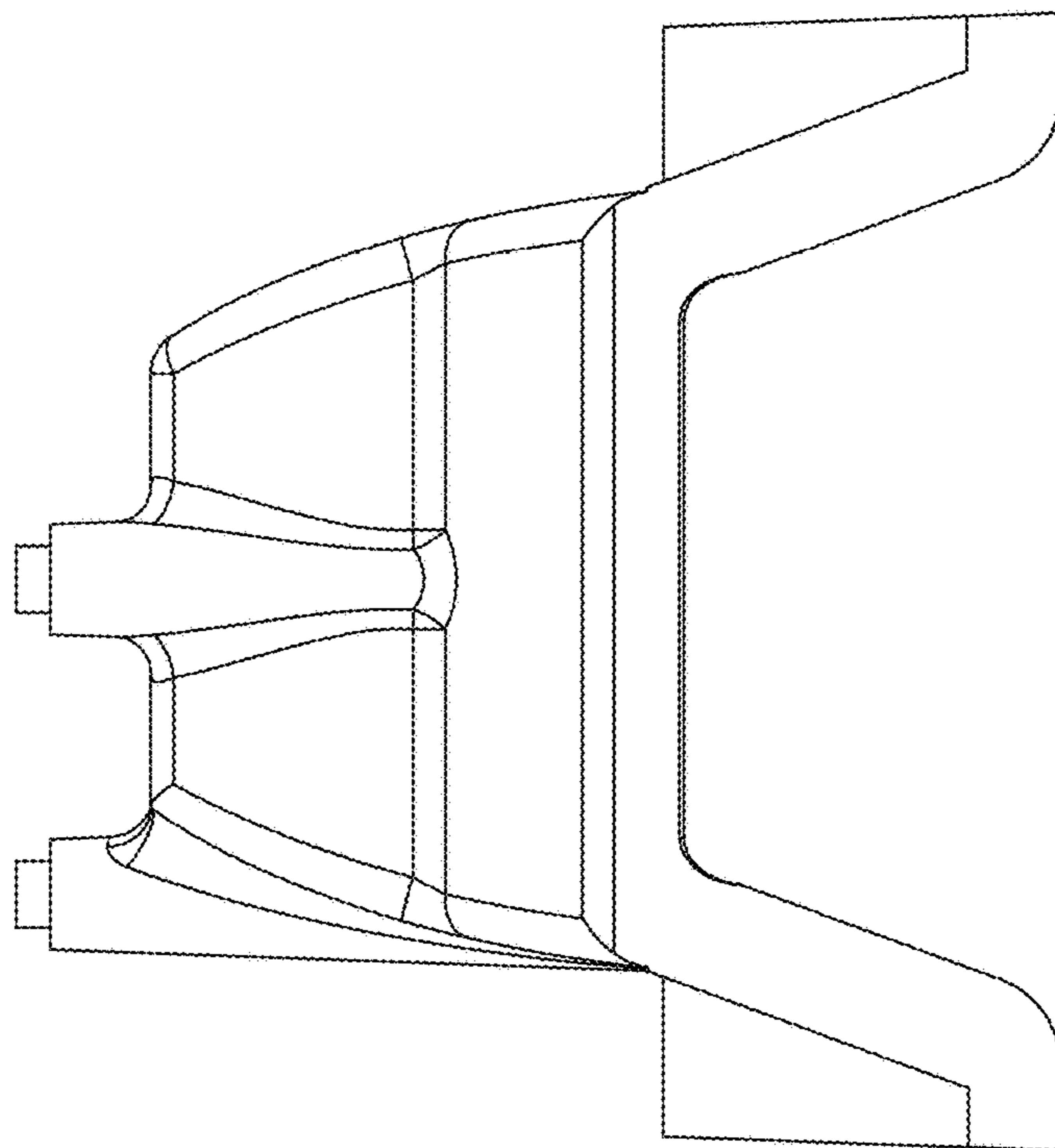


FIG. 12

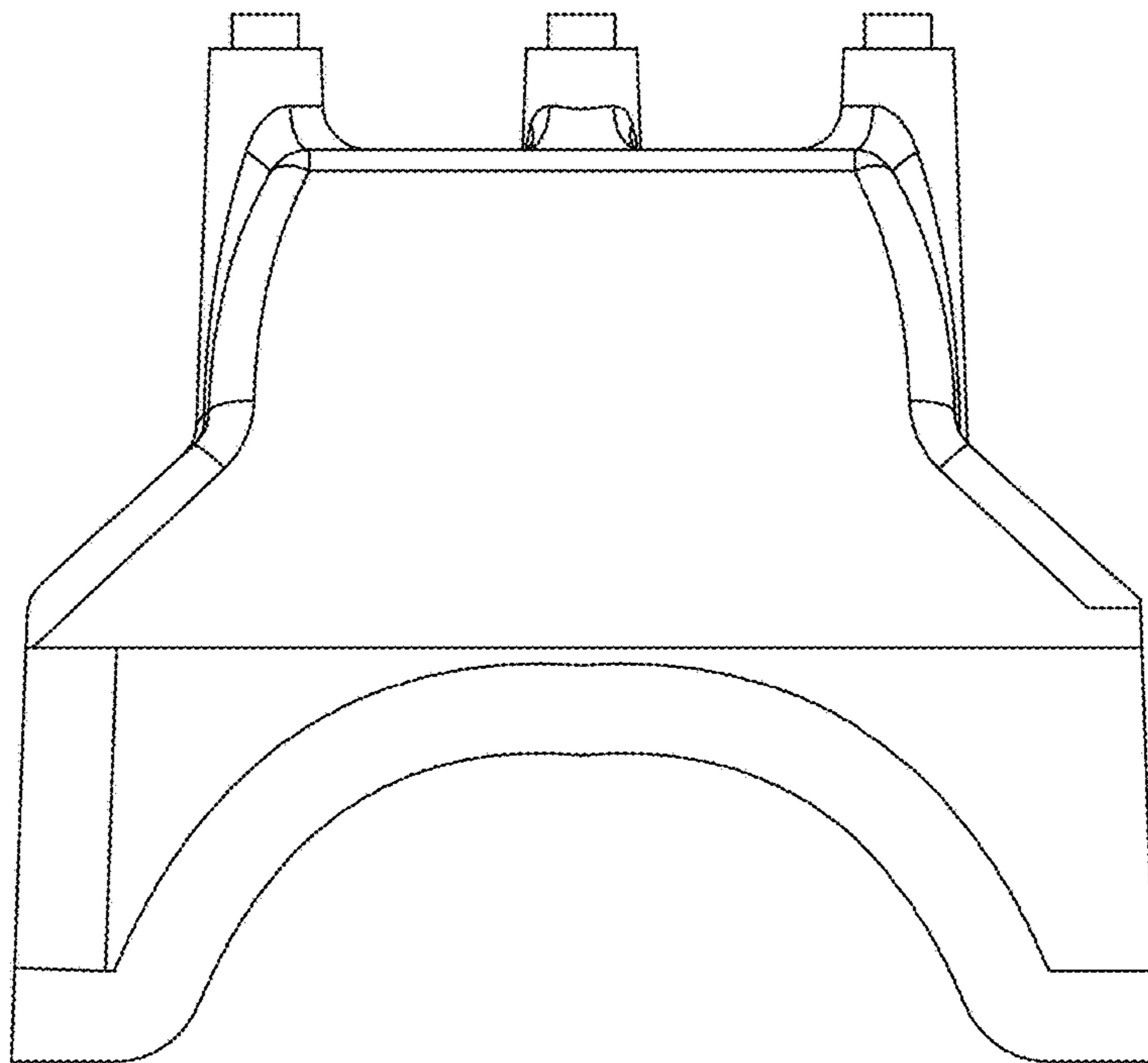


FIG. 13

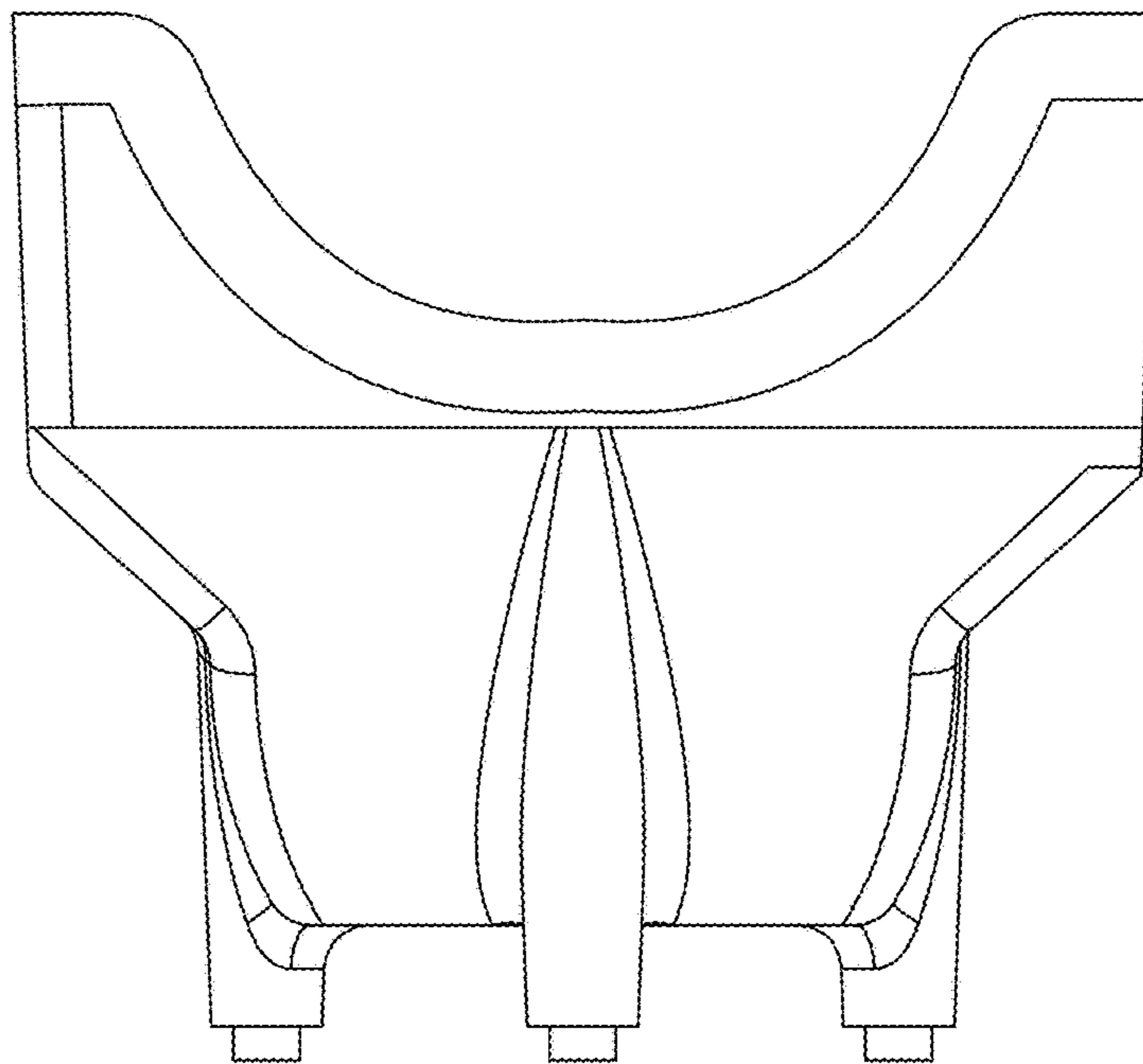


FIG. 14



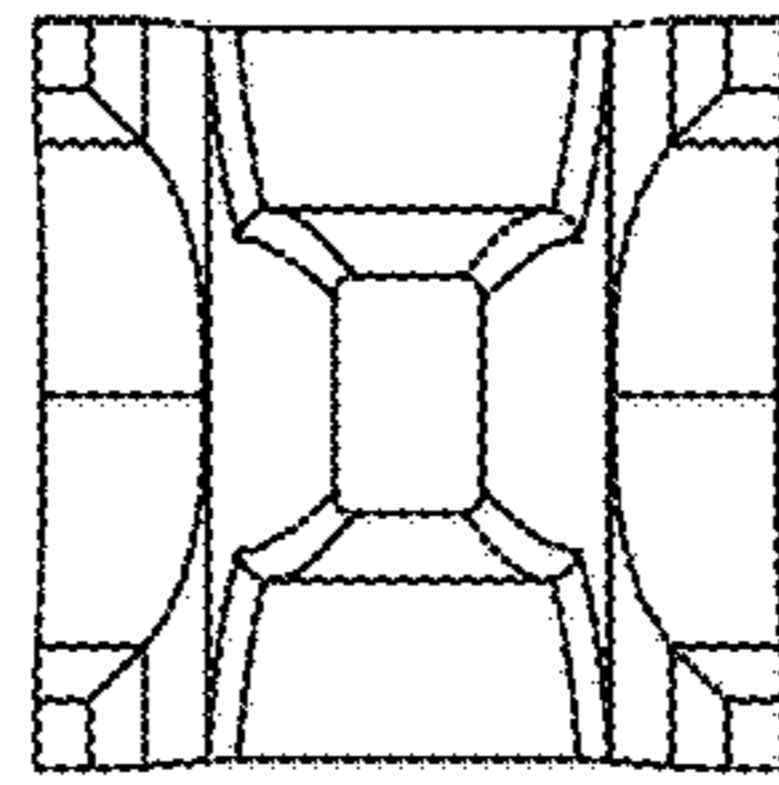


FIG. 15

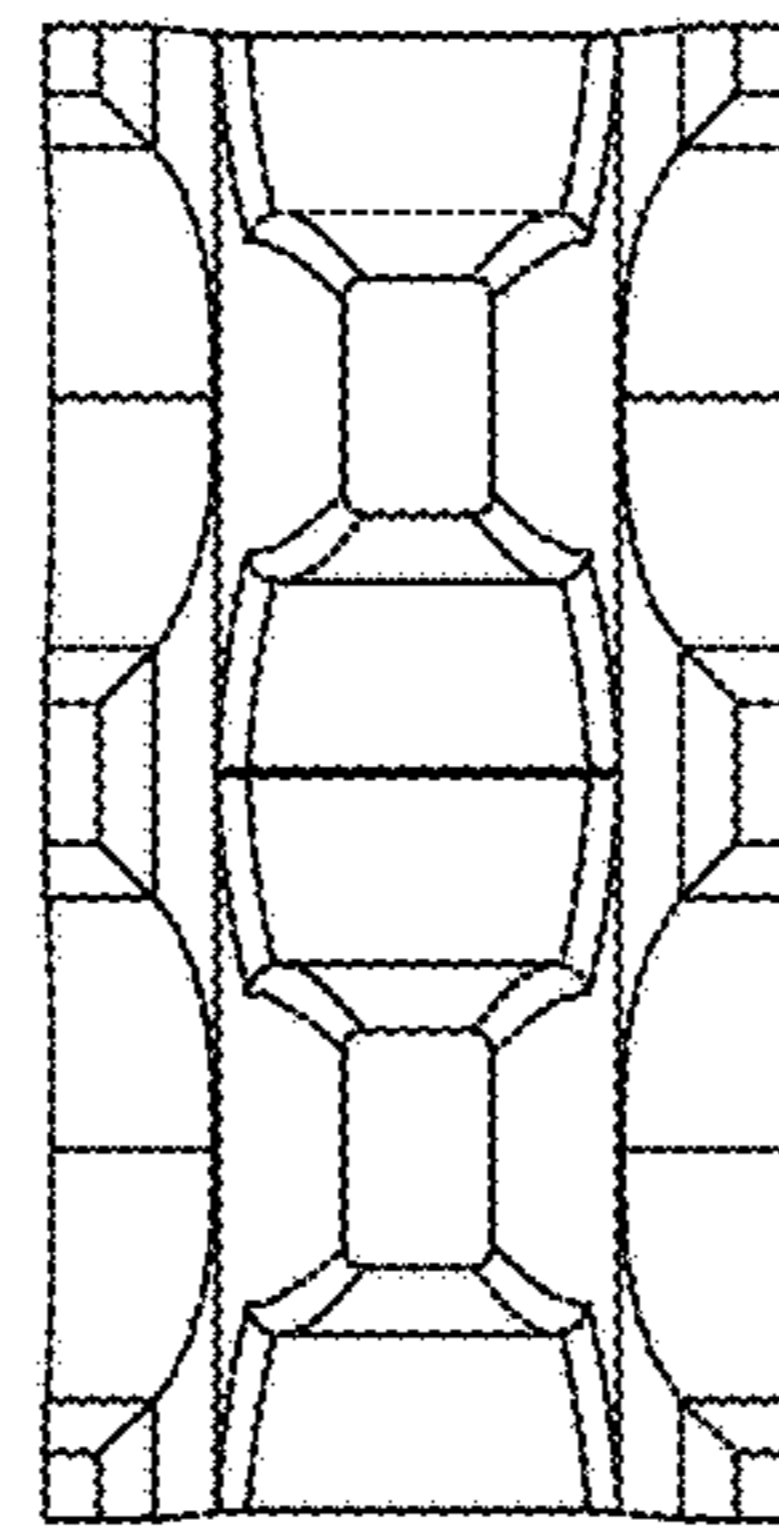


FIG. 16

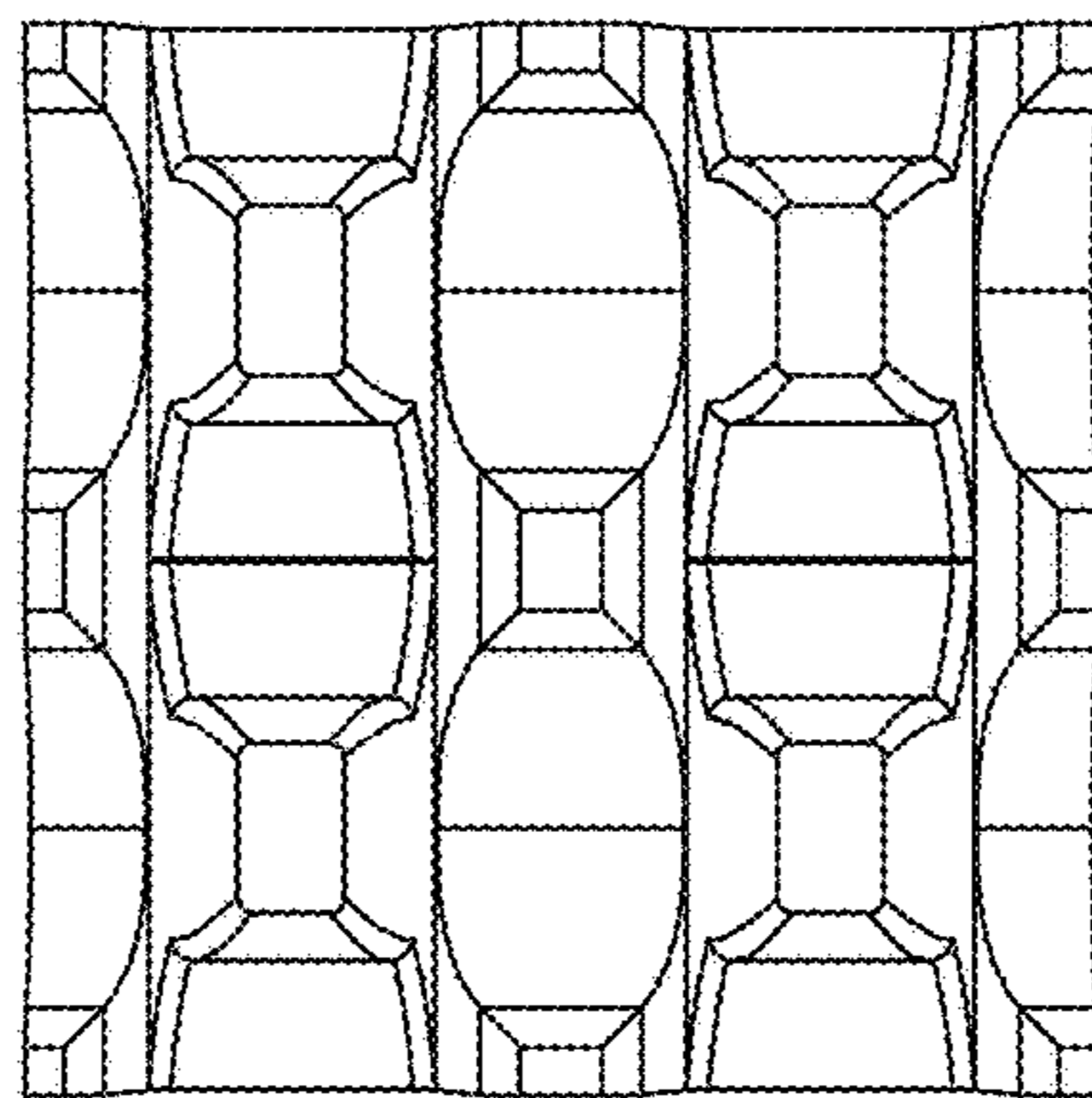


FIG. 17

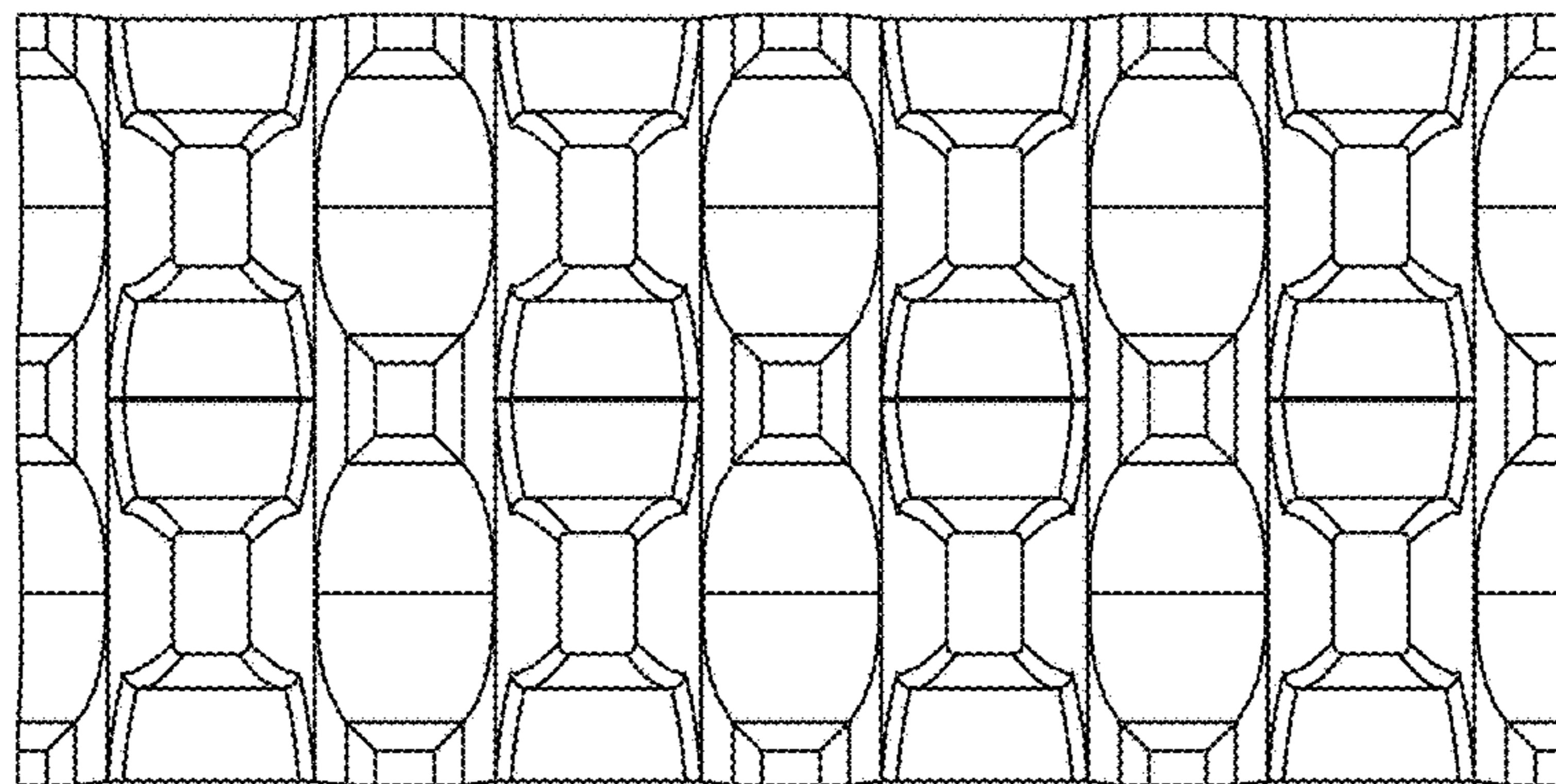


FIG. 18