



US00D774242S

(12) **United States Design Patent** (10) **Patent No.:** **US D774,242 S**
Meise (45) **Date of Patent:** **** Dec. 13, 2016**

(54) **LUMINAIRE**

(71) Applicant: **Meise und Kugler GbR**, Steinebach (DE)

(72) Inventor: **Axel Meise**, Munich (DE)

(73) Assignee: **Meise und Kugler GbR**, Steinebach (DE)

(**) Term: **14 Years**

(21) Appl. No.: **29/503,508**

(22) Filed: **Sep. 26, 2014**

(30) **Foreign Application Priority Data**

Mar. 27, 2014 (EM) 002434183-0003

(51) **LOC (10) Cl.** **26-05**

(52) **U.S. Cl.**
USPC **D26/113**

(58) **Field of Classification Search**

USPC D26/1, 24, 61, 63, 65, 85, 92, 113, 118
CPC F21V 21/14; F21V 15/01; F21V 14/02;
F21V 21/30; F21V 21/00; F21V
14/00; F21S 8/00; F21S 8/003; F21S
8/043; F21Y 2105/001

See application file for complete search history.

(56) **References Cited**

U.S. PATENT DOCUMENTS

D670,425 S	*	11/2012	Bouroullec	D26/118
D696,452 S	*	12/2013	Gordin	D26/118
D713,595 S	*	9/2014	Lechtenberg	D26/118
D734,531 S	*	7/2015	Tragatschnig	D26/118
D745,207 S	*	12/2015	Guzzini	D26/118
D767,198 S	*	9/2016	Chan	D26/118

OTHER PUBLICATIONS

Extract from OHIM-Register for Registered Community Design 001119655-0014, printed Apr. 3, 2015, in 3 pages.

Extract from OHIM-Register for Registered Community Design 001119655-0016, printed Apr. 3, 2015, in 3 pages.

Extract from OHIM-Register for Registered Community Design 001119655-0020, printed Apr. 3, 2015, in 3 pages.

Extract from OHIM-Register for Registered Community Design 002434183-0007, printed Apr. 3, 2015, in 3 pages.

* cited by examiner

Primary Examiner — Brian N Vinson

(74) *Attorney, Agent, or Firm* — Knobbe Martens Olson & Bear LLP

(57) **CLAIM**

The ornamental design for a luminaire, as shown and described.

DESCRIPTION

FIG. 1 is a left front top perspective view of a luminaire showing my new design.

FIG. 2 is a left bottom perspective view thereof, showing two tubular elements separated by a gap, the depth of said gap forming no part of the claimed design.

FIG. 3 is a rear elevational view thereof.

FIG. 4 is a left side elevational view thereof.

FIG. 5 is a front elevational view thereof.

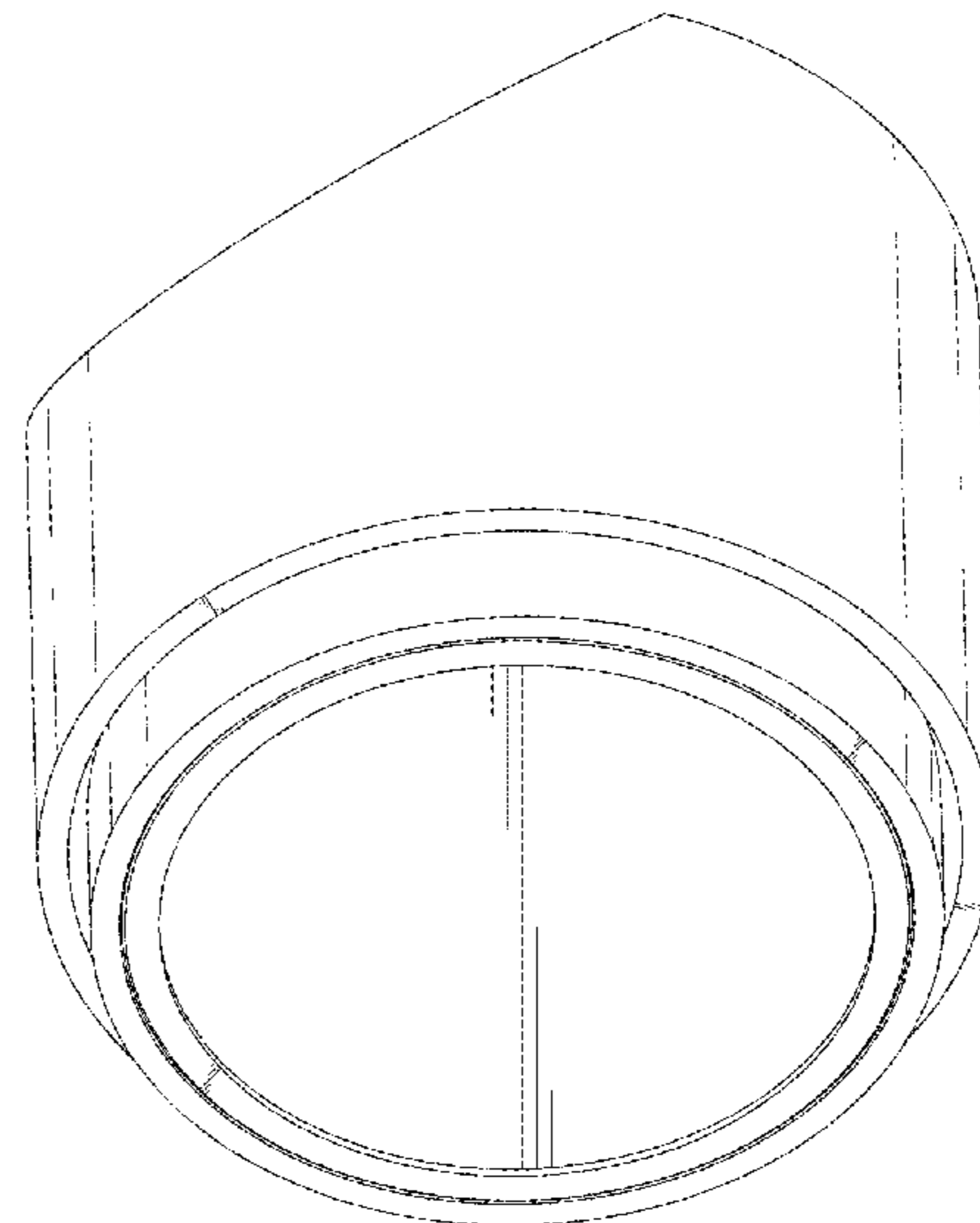
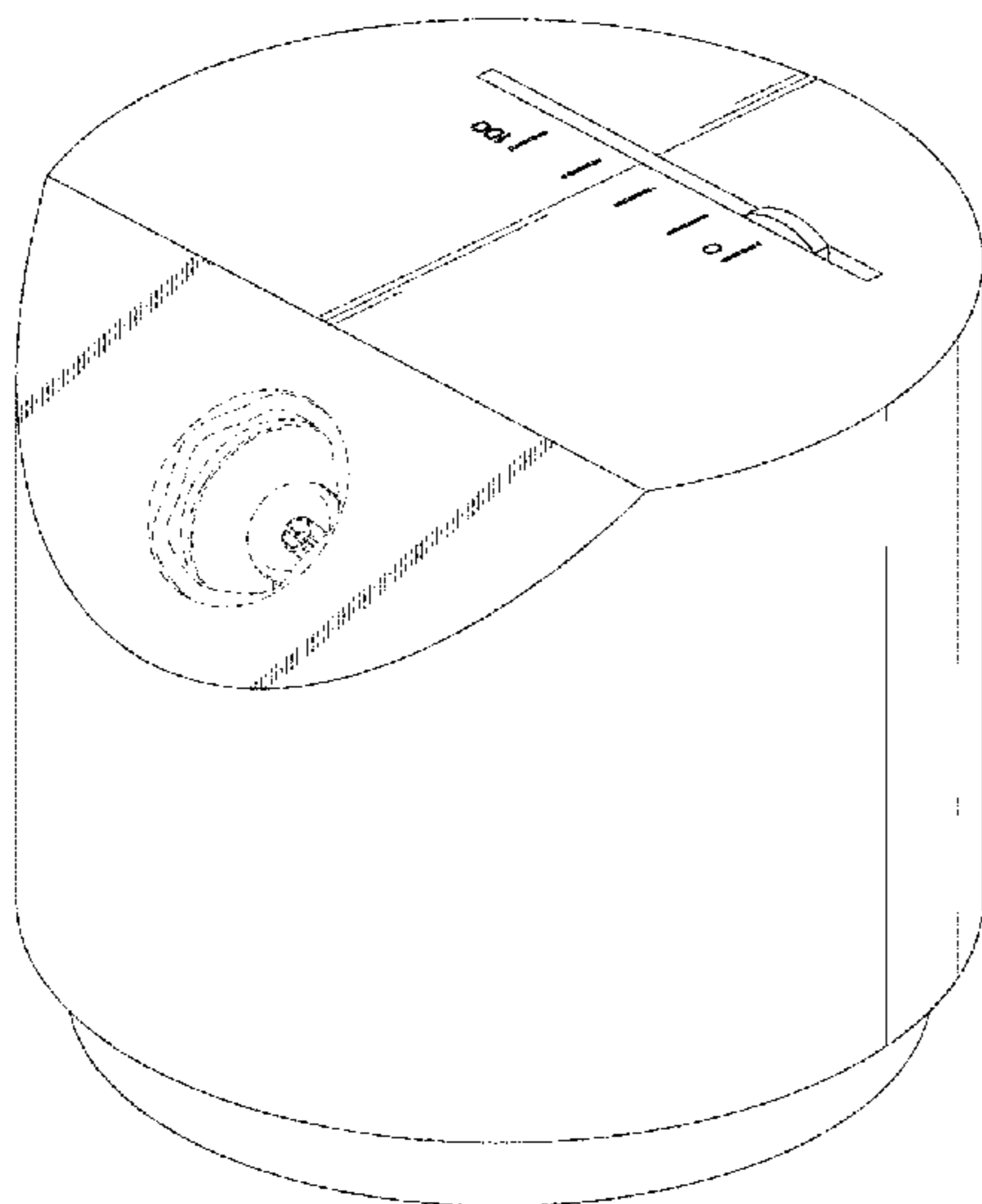
FIG. 6 is a right side elevational view thereof.

FIG. 7 is a top plan view thereof; and,

FIG. 8 is a bottom plan view thereof.

The broken lines in FIGS. 1, 5, and 7 form no part of the claimed design.

1 Claim, 5 Drawing Sheets



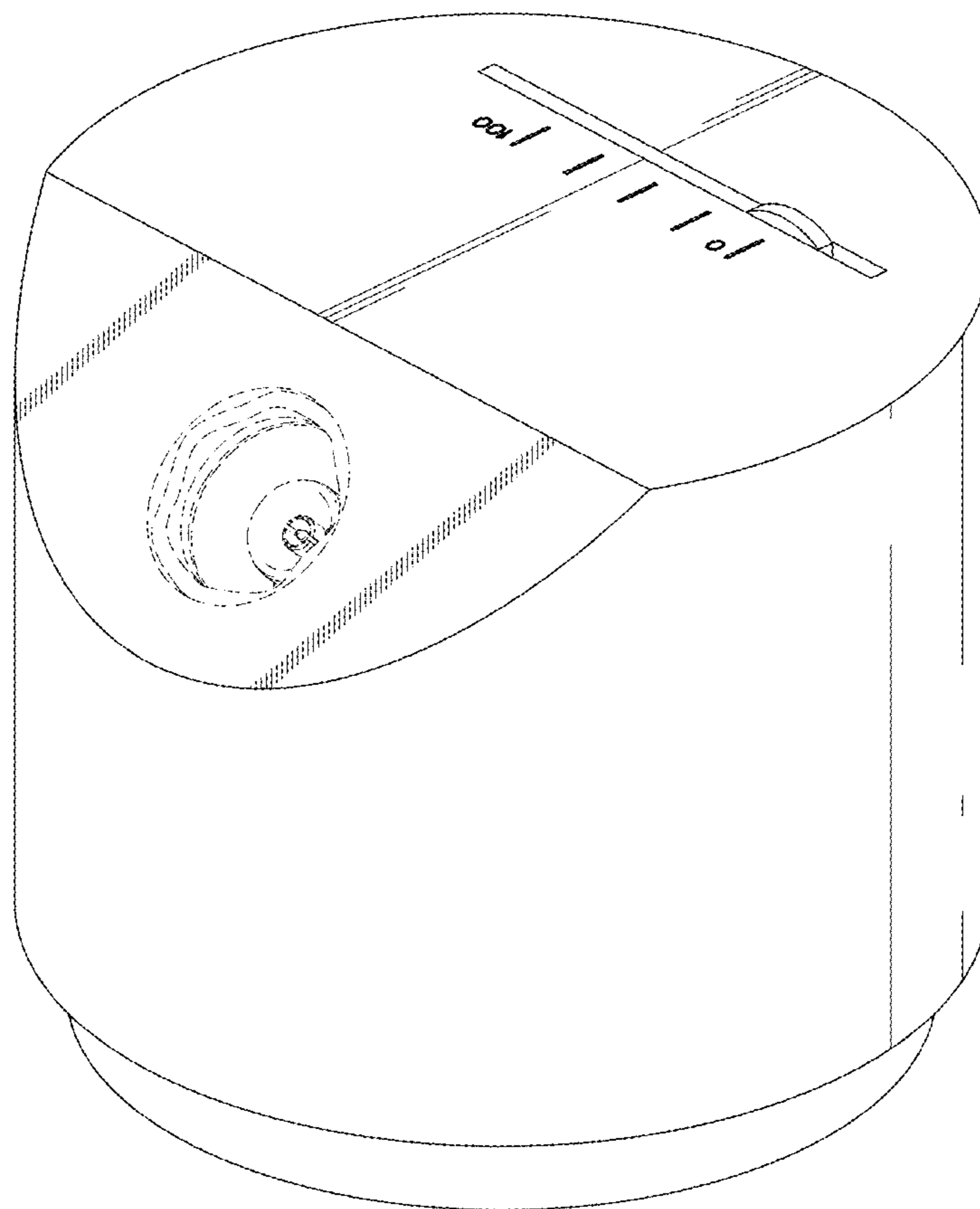


FIG. 1

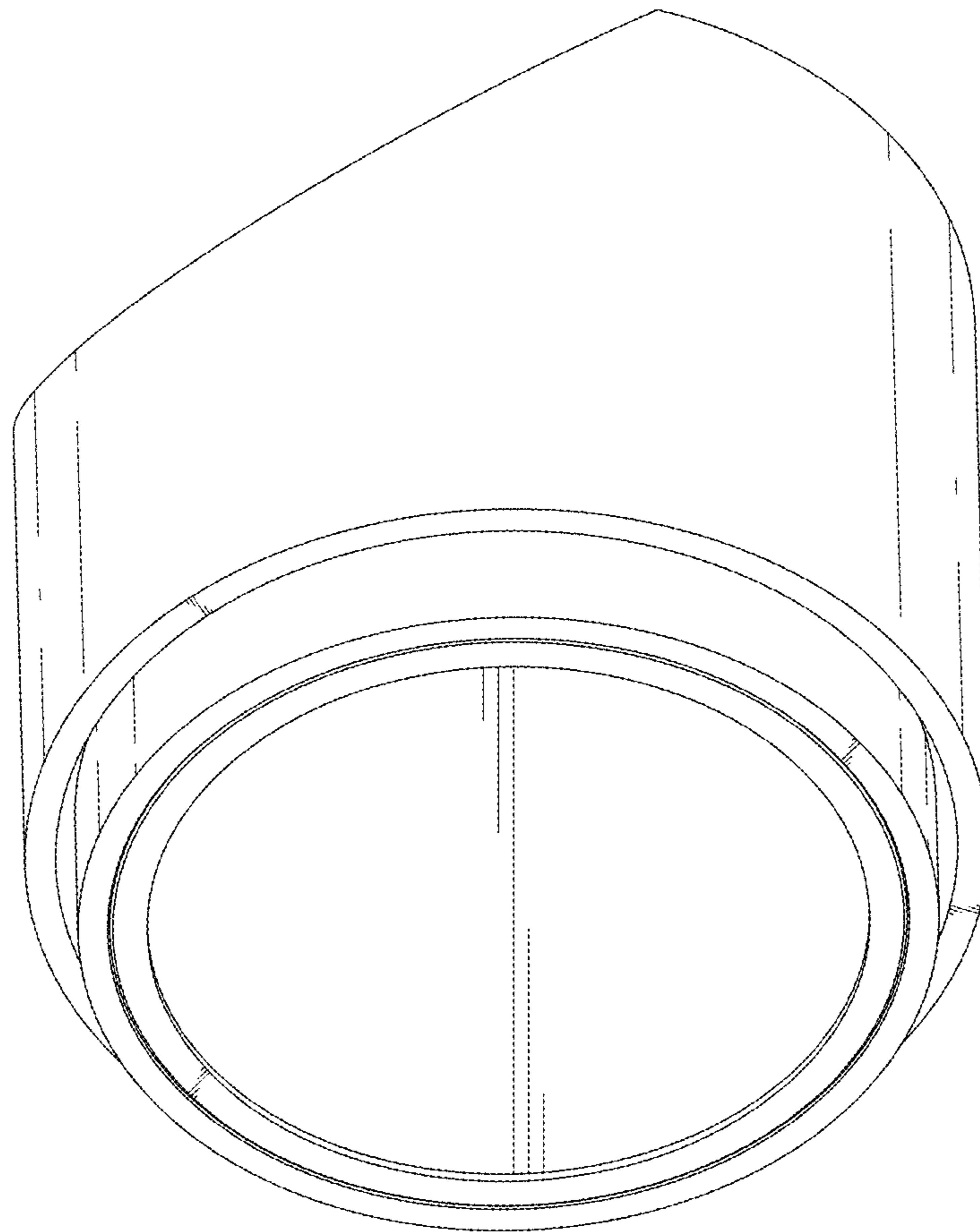


FIG. 2

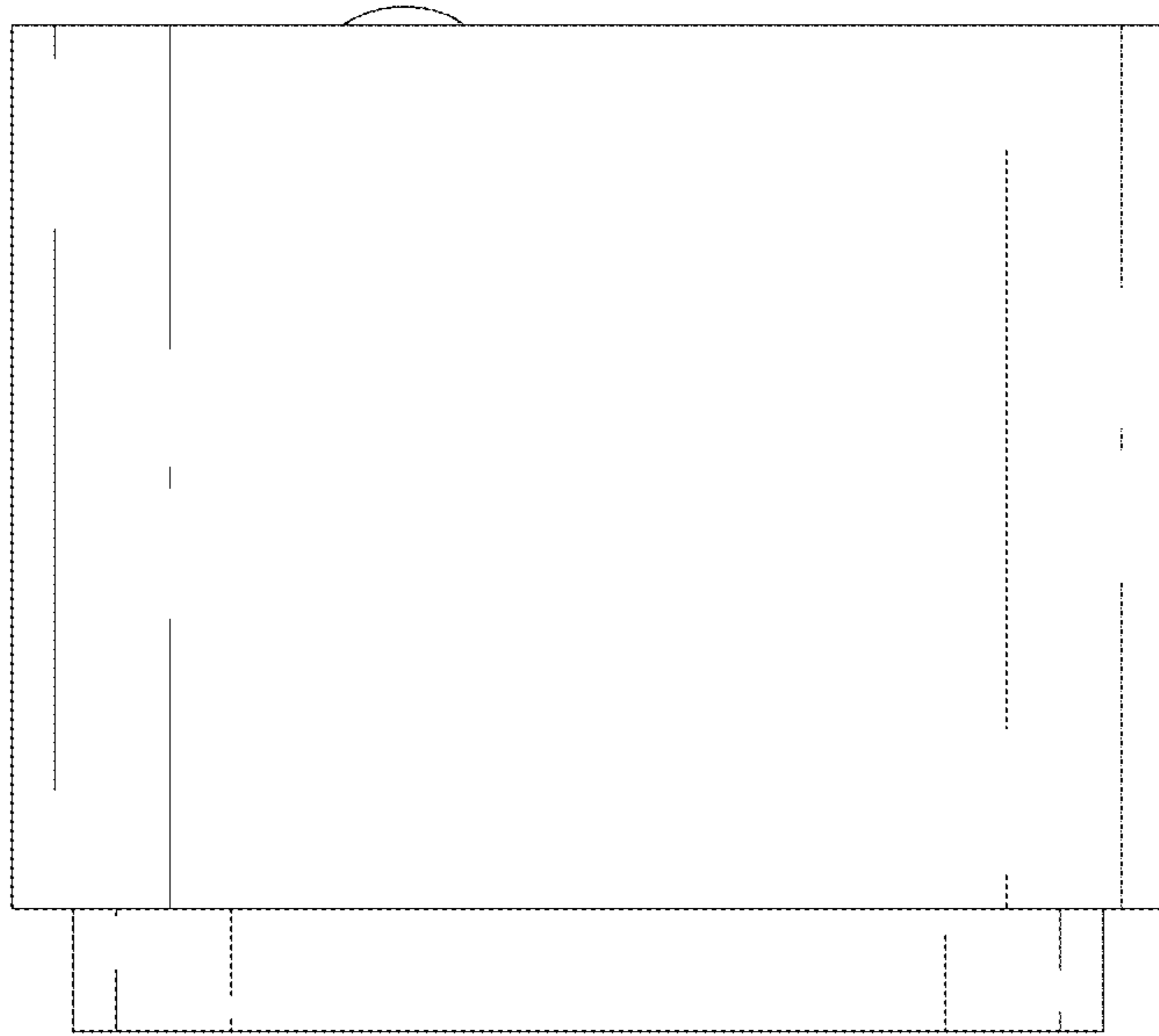


FIG. 3

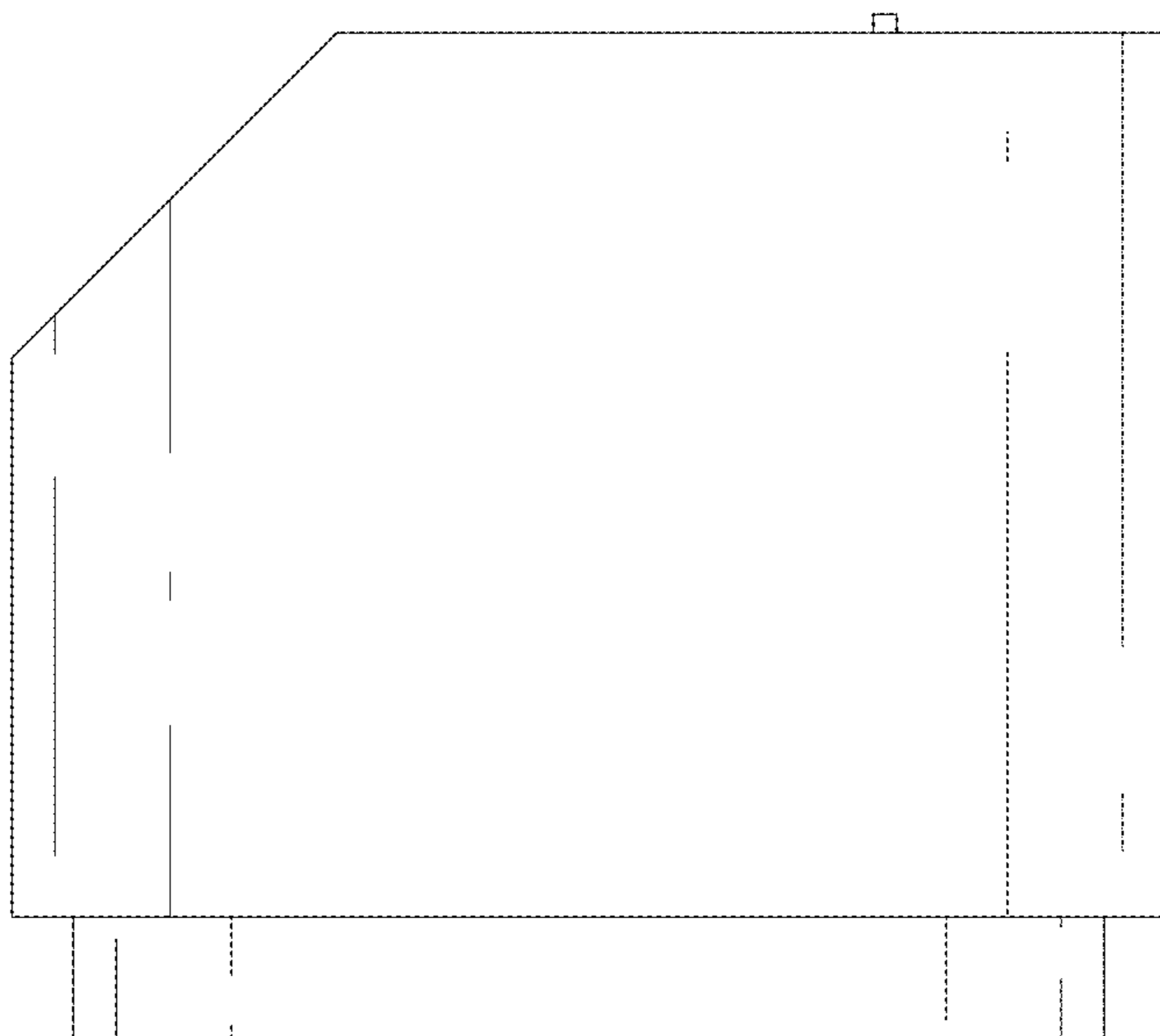


FIG. 4

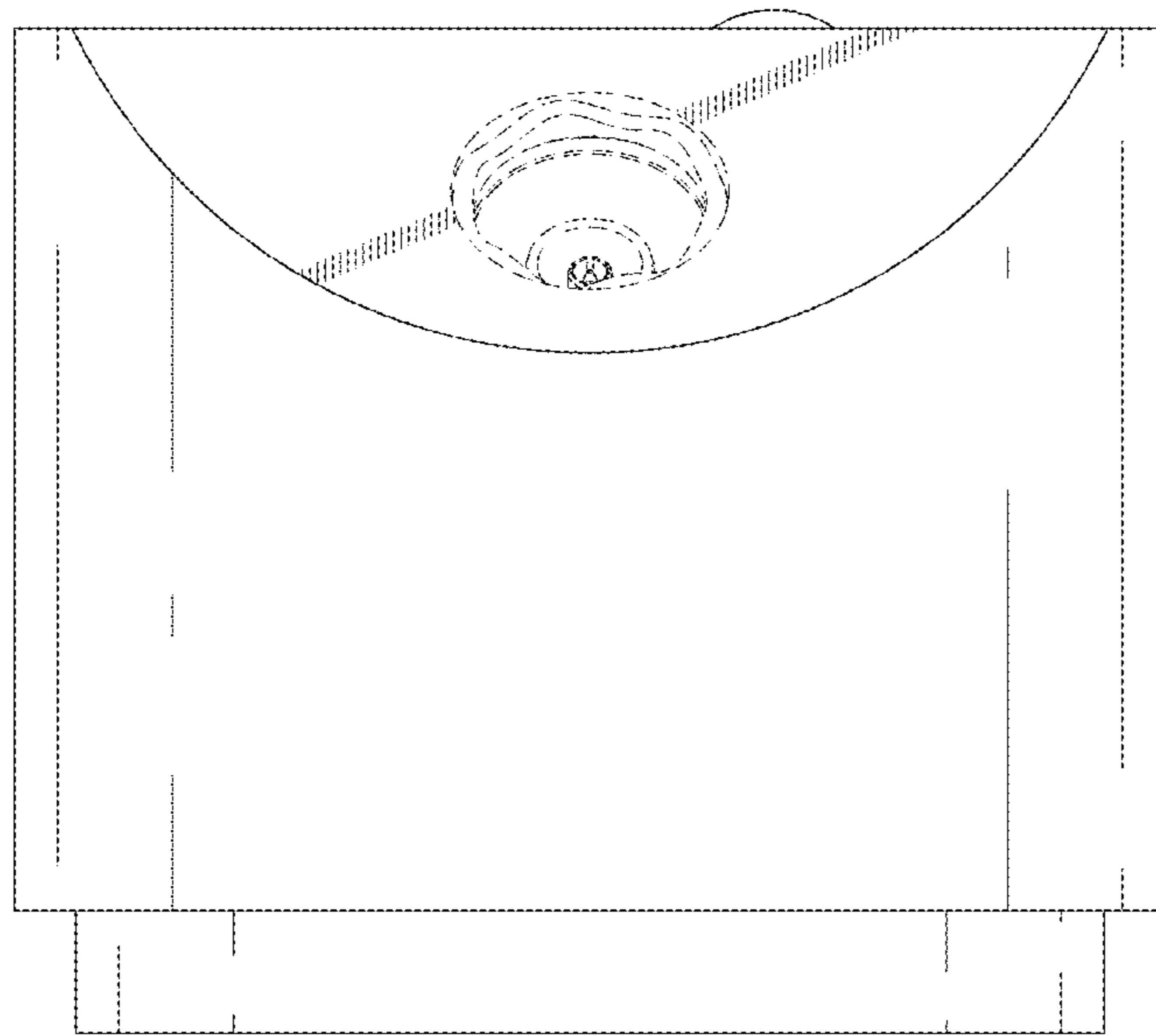


FIG. 5

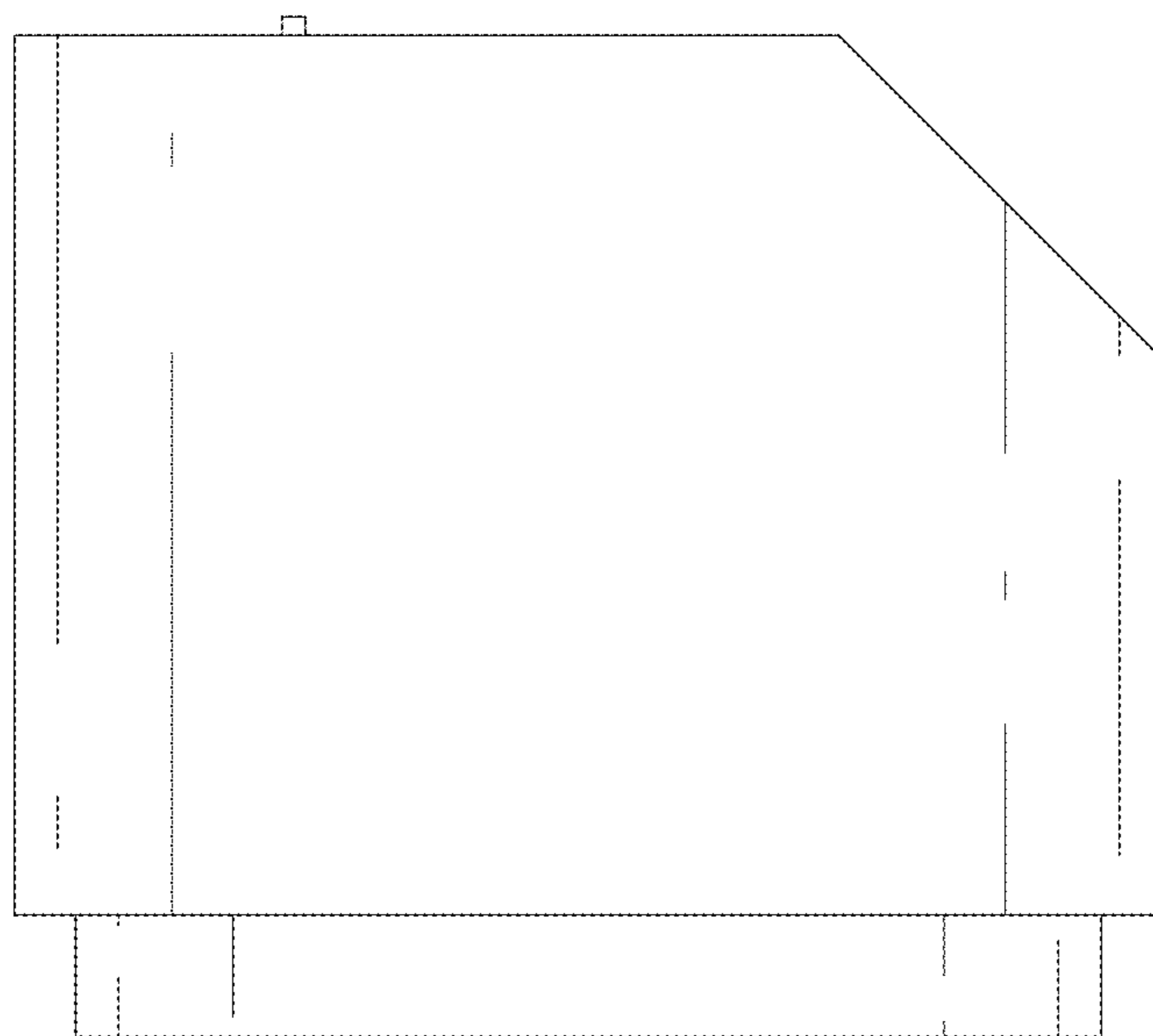


FIG. 6

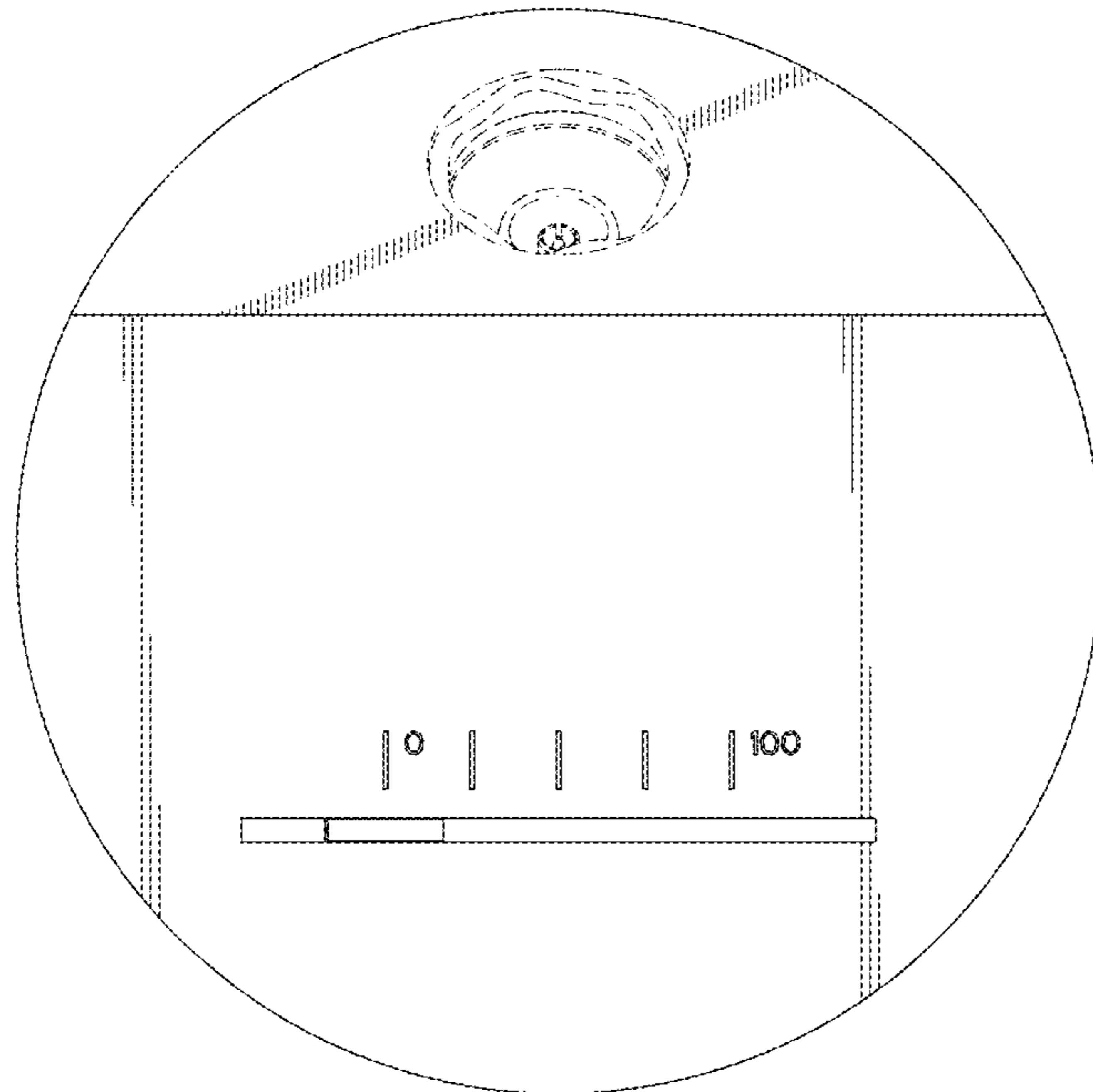


FIG. 7

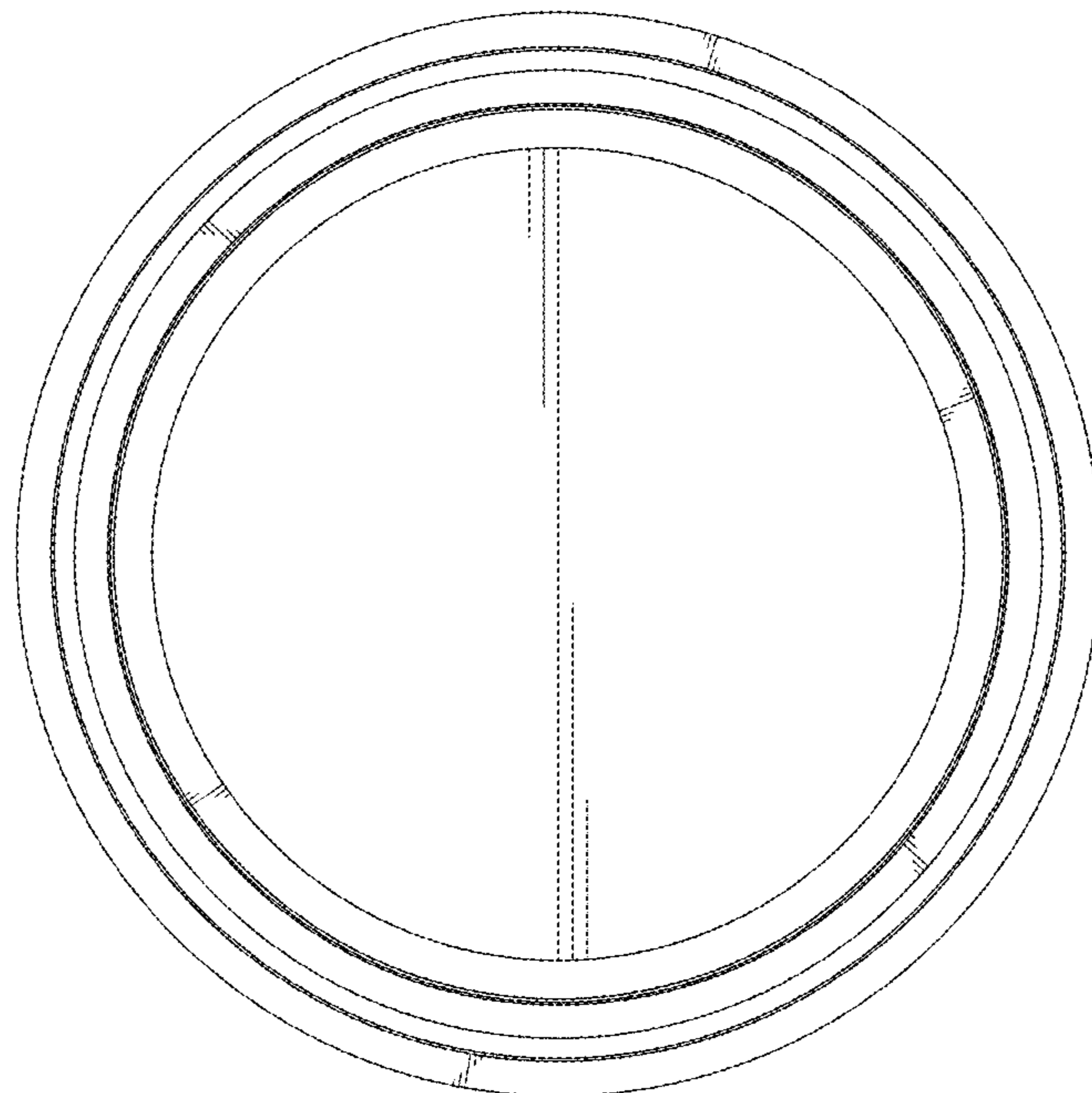


FIG. 8