



US00D774240S

(12) **United States Design Patent**
Velez

(10) **Patent No.:** **US D774,240 S**
(45) **Date of Patent:** **** Dec. 13, 2016**

(54) **FLOOR LAMP**

(71) Applicant: **Holly Hunt Enterprises, Inc.**, Chicago, IL (US)

(72) Inventor: **Alberto Velez**, Chicago, IL (US)

(73) Assignee: **Holly Hunt Enterprises, Inc.**, Chicago, IL (US)

(**) Term: **15 Years**

(21) Appl. No.: **29/527,904**

(22) Filed: **May 22, 2015**

(51) **LOC (10) Cl.** **26-03**

(52) **U.S. Cl.**
USPC **D26/106**

(58) **Field of Classification Search**
USPC D26/24, 93, 106, 138, 141, 142
CPC F21S 6/00; F21S 6/002; F21S 8/043;
F21V 21/02; F21V 21/116; F21W
2131/30

See application file for complete search history.

(56) **References Cited**

U.S. PATENT DOCUMENTS

D337,392 S *	7/1993	Lin	D26/106
D409,791 S *	5/1999	Schlesinger	D26/110
D603,084 S *	10/2009	Lewis	D26/93
D642,323 S *	7/2011	Eusterbrock	D26/106
D663,066 S *	7/2012	Wang	D26/93
D748,844 S *	2/2016	Kern	D26/106

* cited by examiner

Primary Examiner — Brian N Vinson

(74) *Attorney, Agent, or Firm* — Blank Rome LLP

(57) **CLAIM**

I claim the ornamental design for a floor lamp, as shown and described.

DESCRIPTION

FIG. 1 is a top perspective view of a floor lamp of the present design.

FIG. 2 is a bottom perspective view of the floor lamp of FIG. 1.

FIG. 3 is a front elevation view of the floor lamp of FIG. 1.

FIG. 4 is a rear elevation view of the floor lamp of FIG. 1.

FIG. 5 is a left side elevation view of the floor lamp of FIG. 1.

FIG. 6 is a right side elevation view of the floor lamp of FIG. 1.

FIG. 7 is a top plan view of the floor lamp of FIG. 1.

FIG. 8 is a bottom plan view of the floor lamp of FIG. 1.

FIG. 9 is a top perspective view of the floor lamp of the present design.

FIG. 10 is a bottom perspective view of the floor lamp of FIG. 9.

FIG. 11 is a front elevation view of the floor lamp of FIG. 9.

FIG. 12 is a rear elevation view of the floor lamp of FIG. 9.

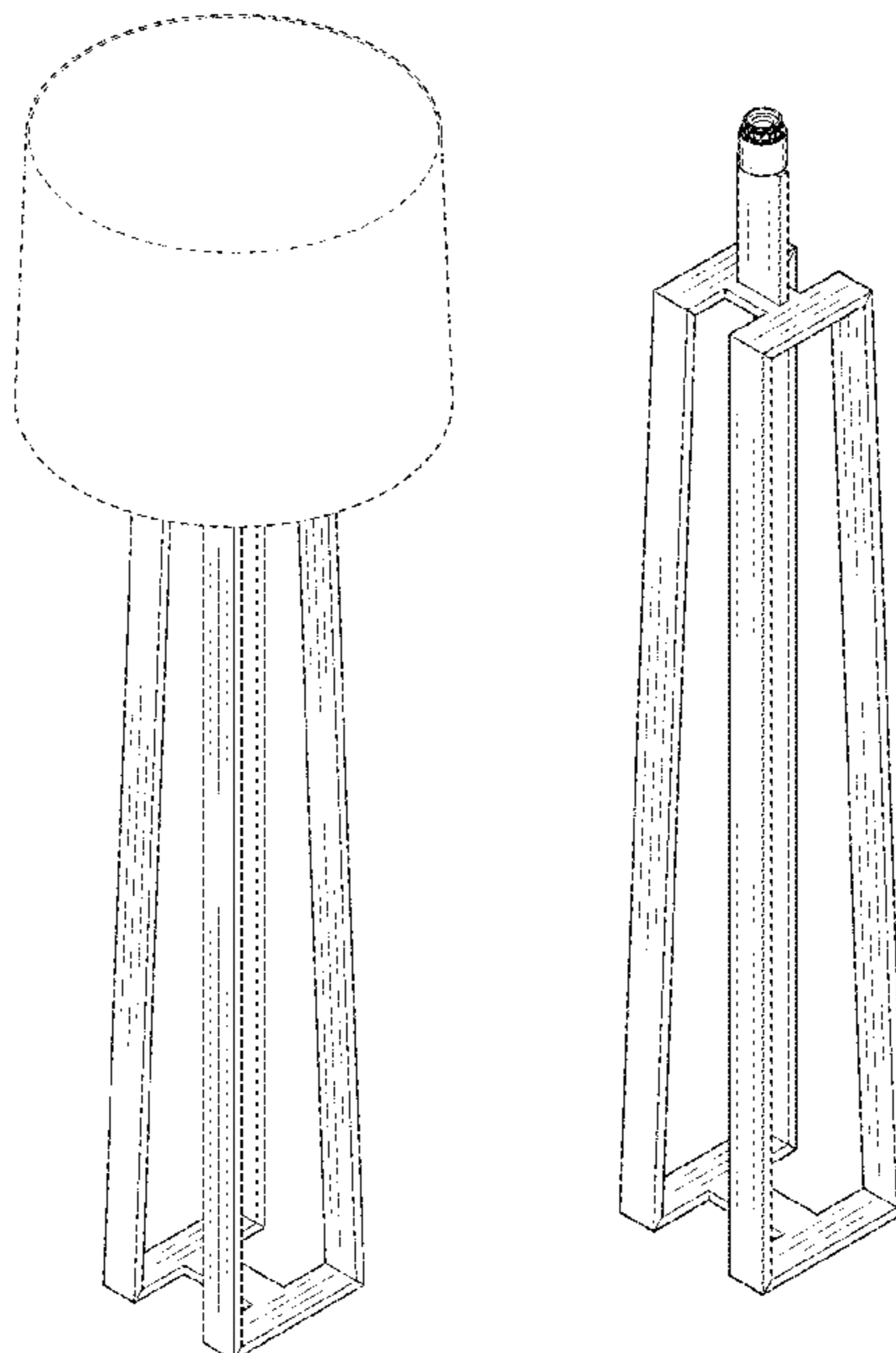
FIG. 13 is a left side elevation view of the floor lamp of FIG. 9.

FIG. 14 is a right side elevation view of the floor lamp of FIG. 9.

FIG. 15 is a top plan view of the floor lamp of FIG. 9; and, FIG. 16 is a bottom plan view of the floor lamp of FIG. 9.

The broken line disclosure of the shade represents a portion of the lamp which forms no part of the claimed design.

1 Claim, 8 Drawing Sheets



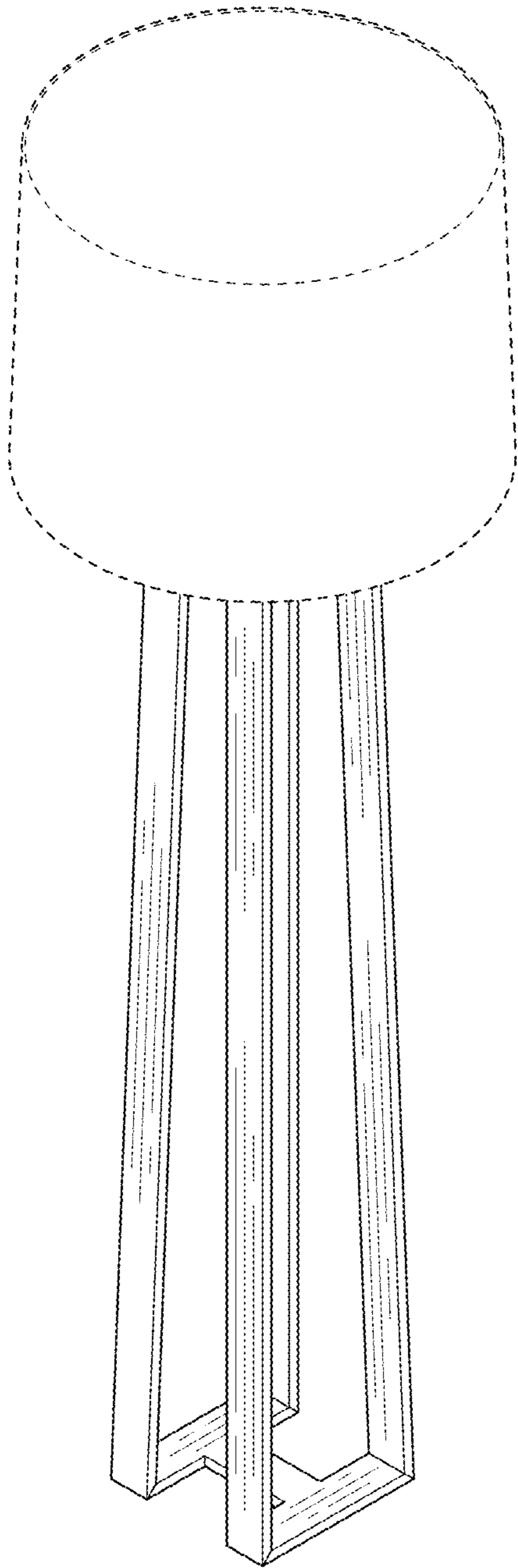


FIG. 1

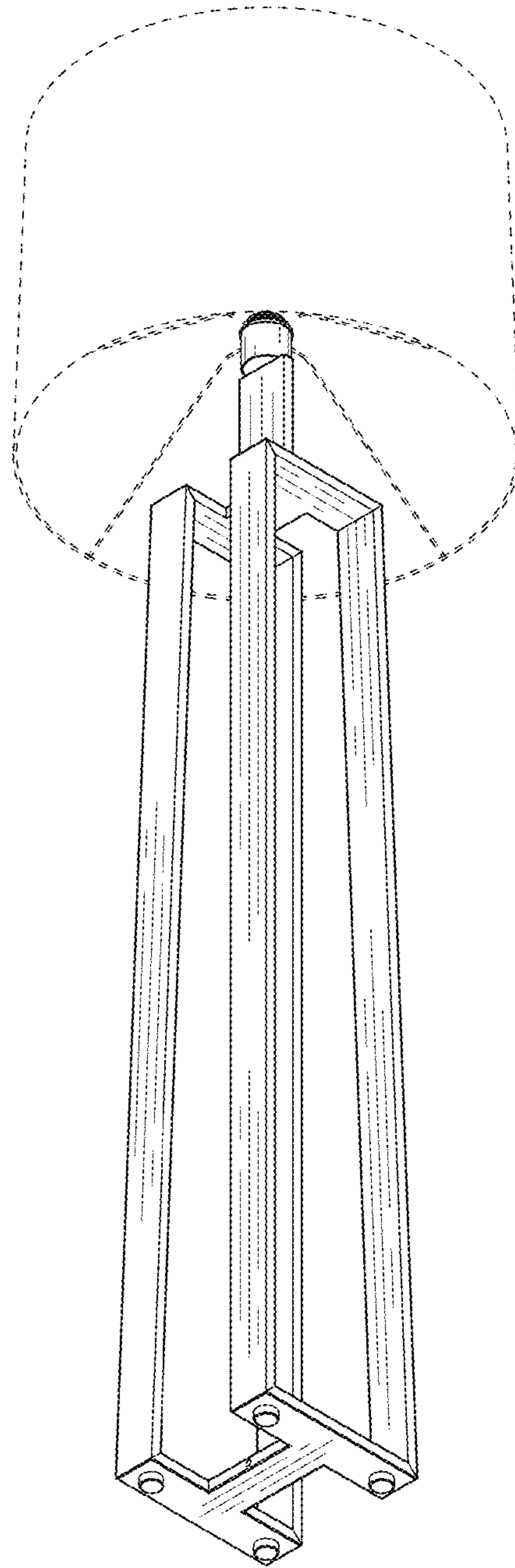


FIG. 2

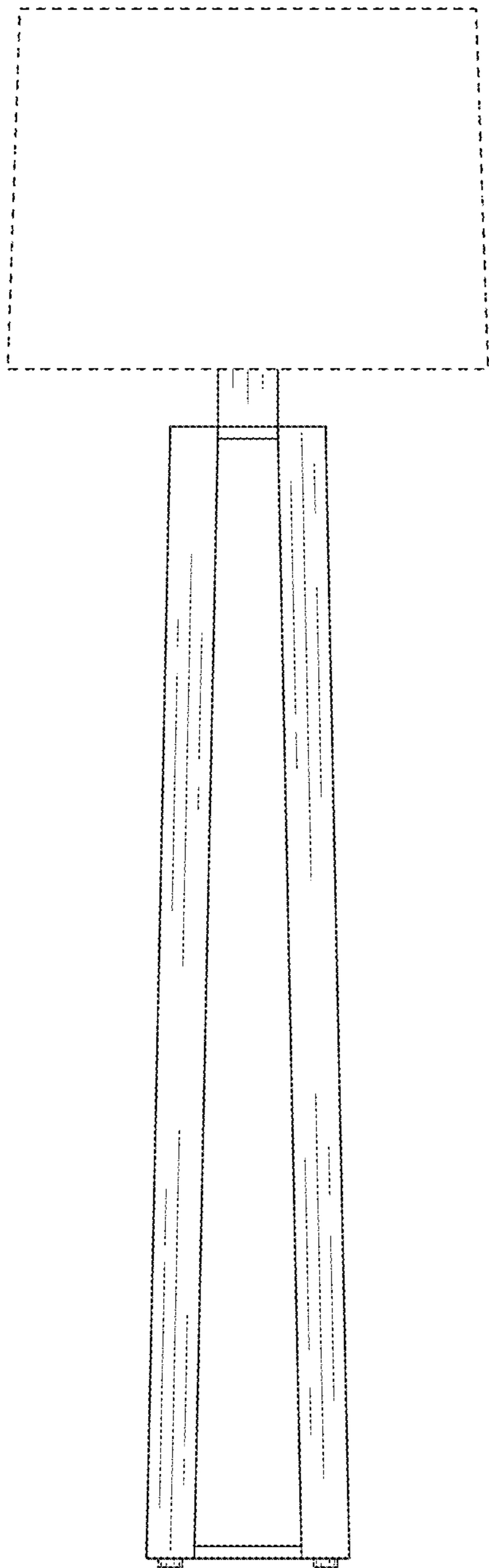


FIG. 3

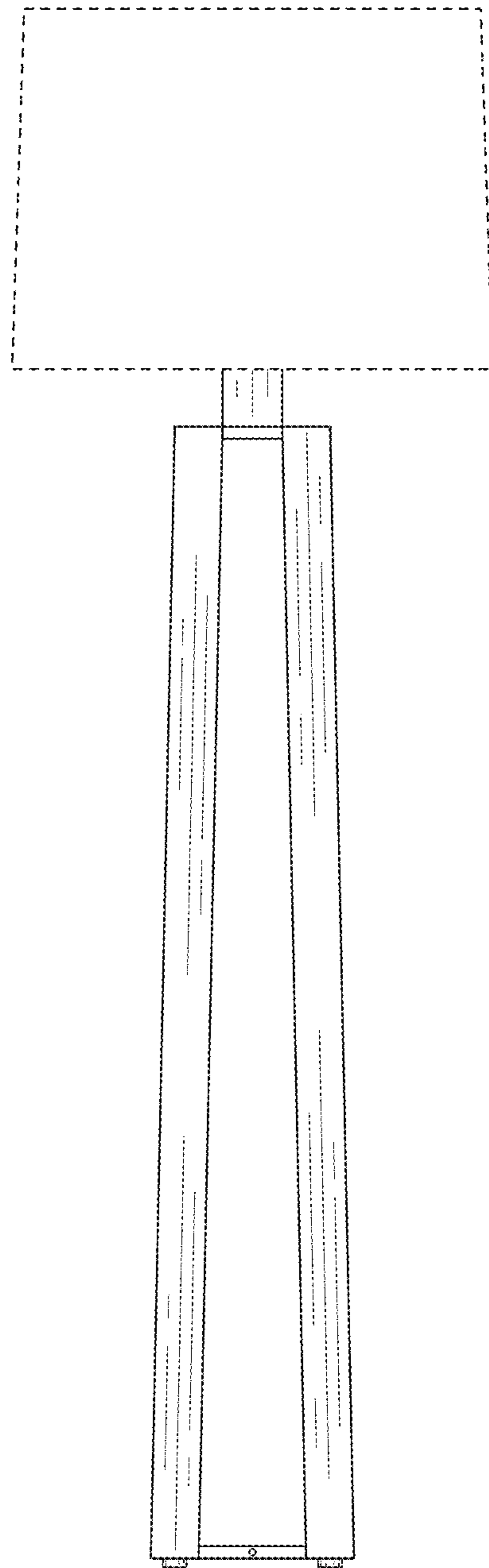


FIG. 4

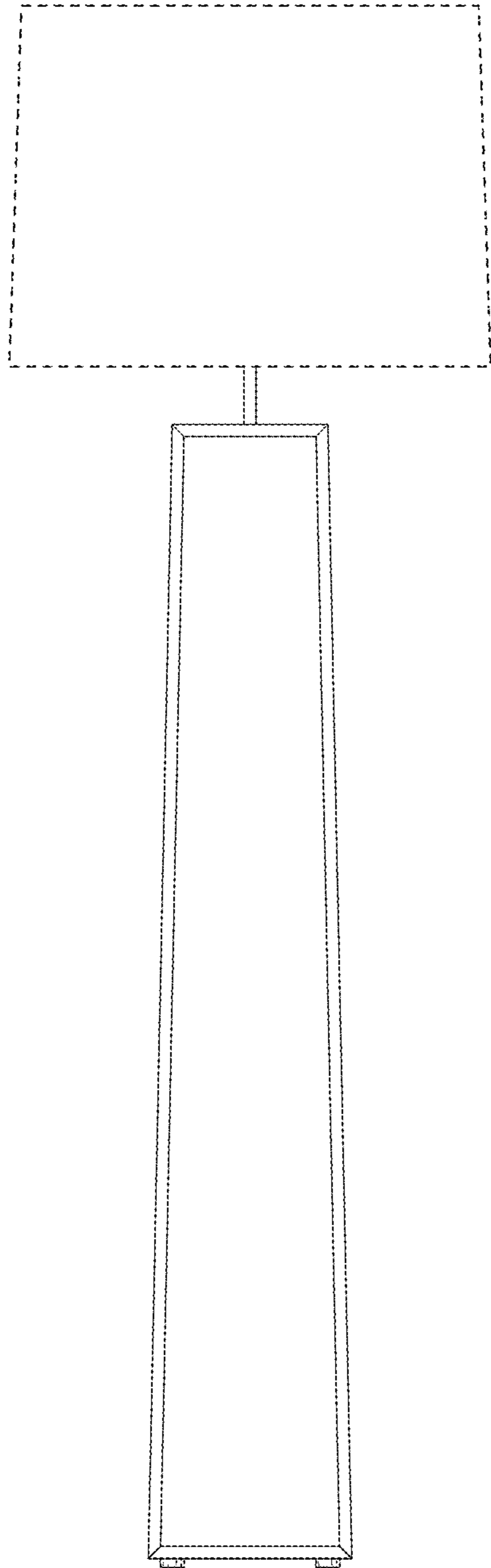


FIG. 5

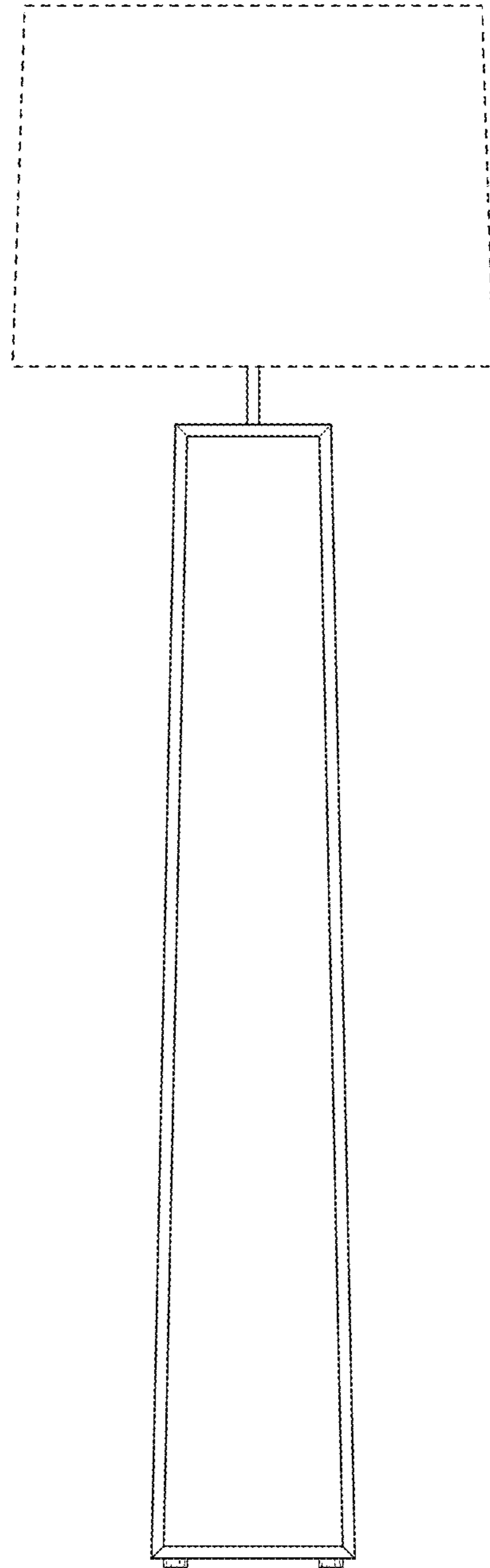


FIG. 6

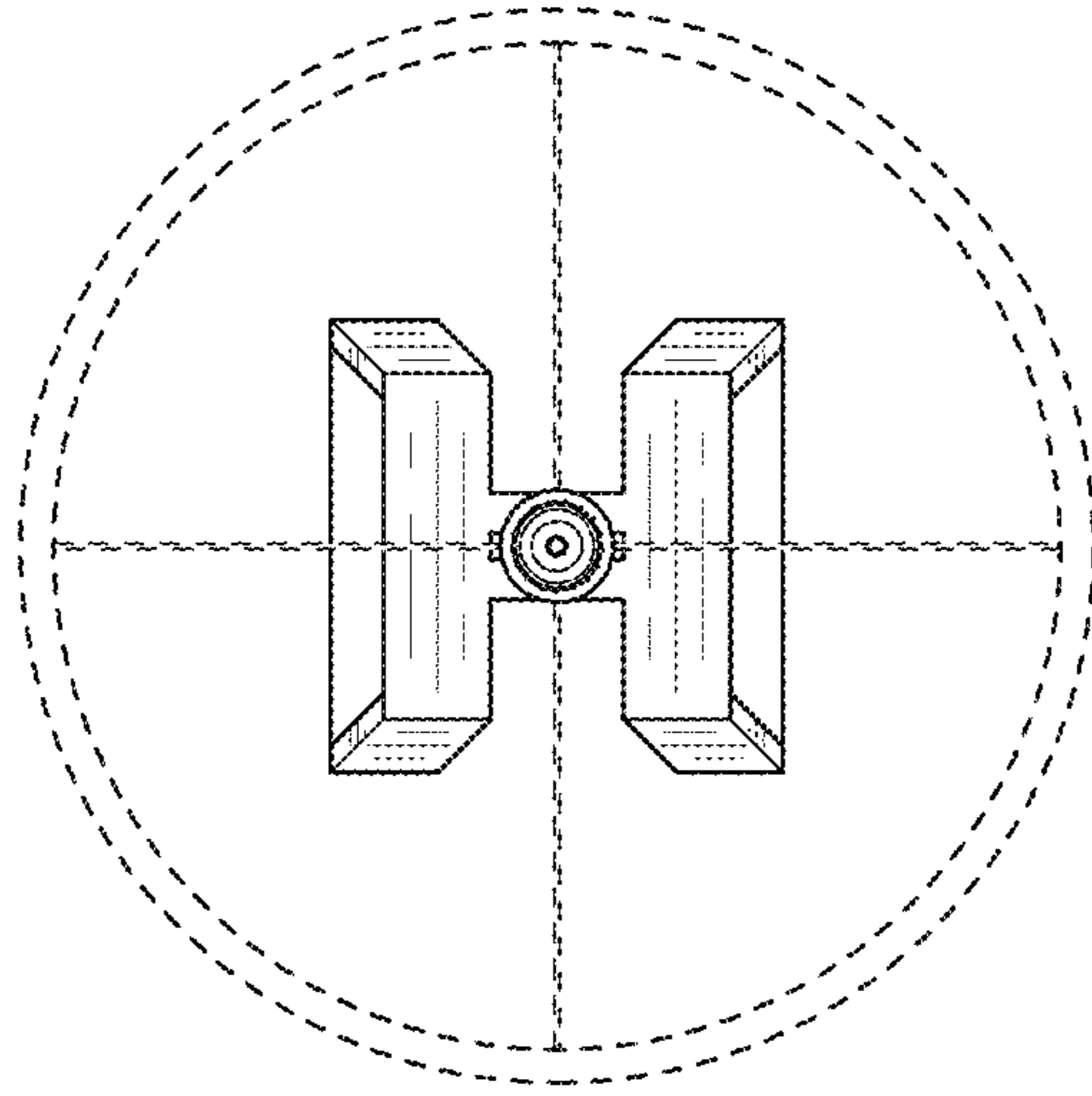


FIG. 7

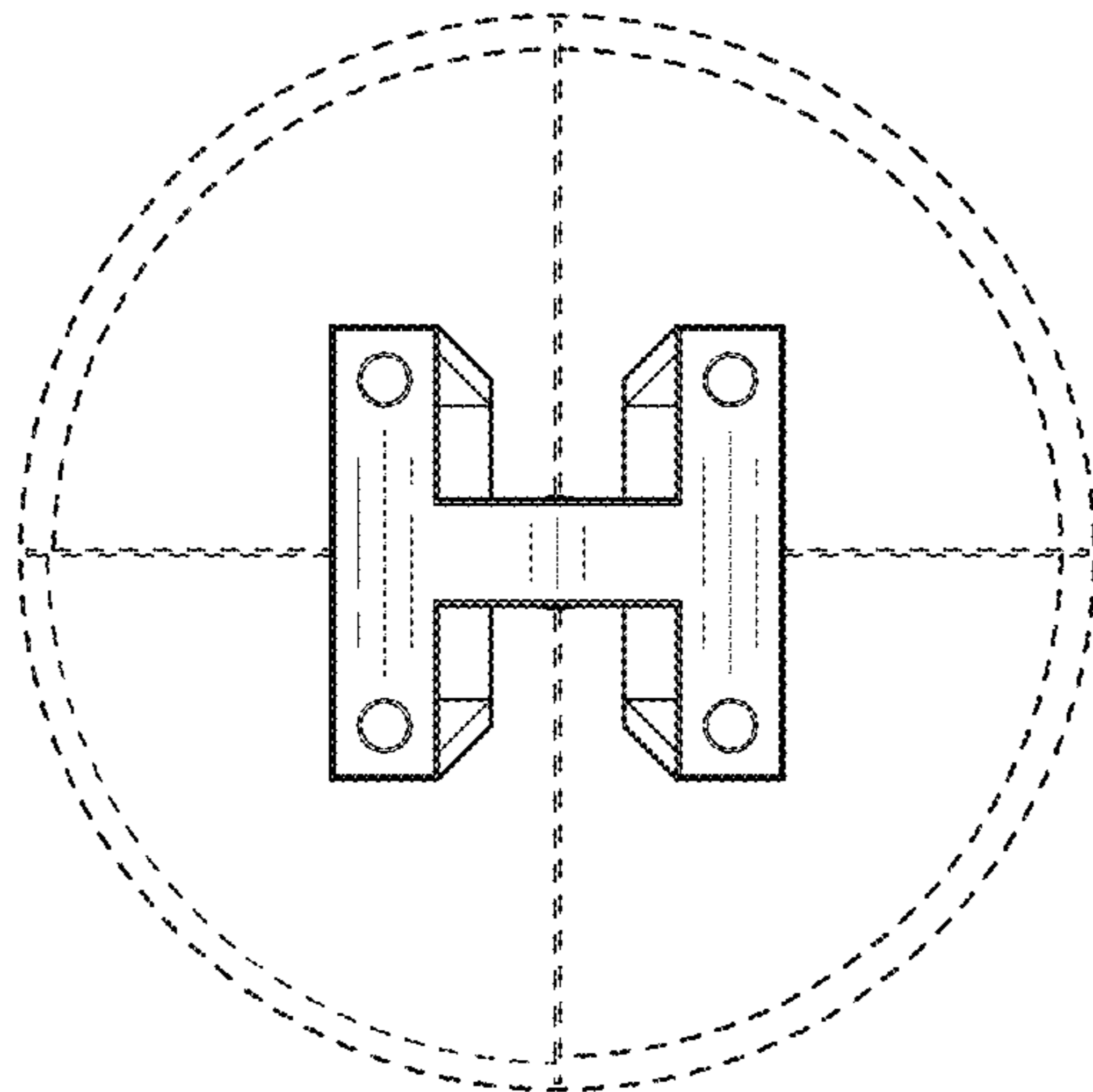


FIG. 8

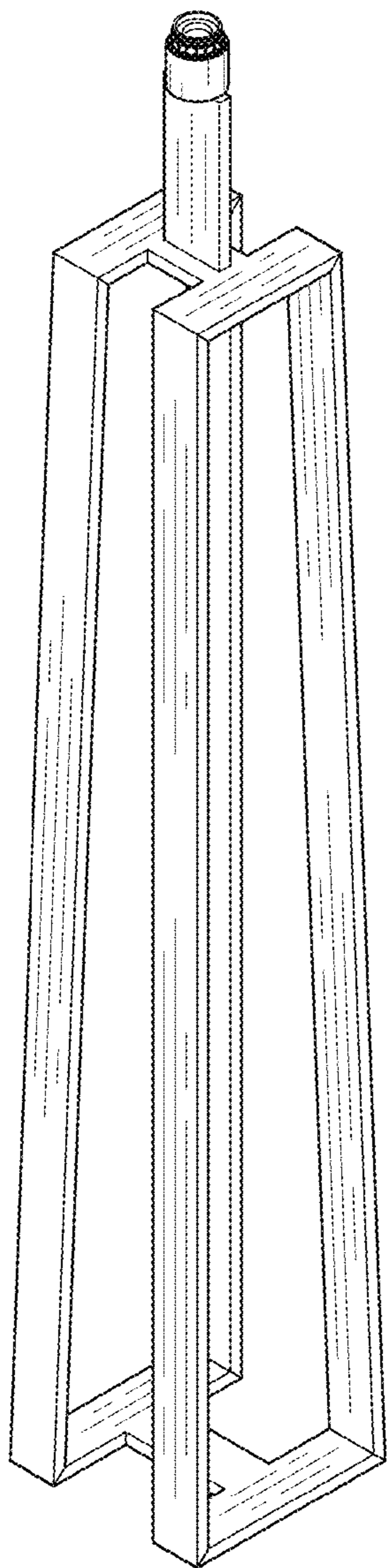


FIG. 9

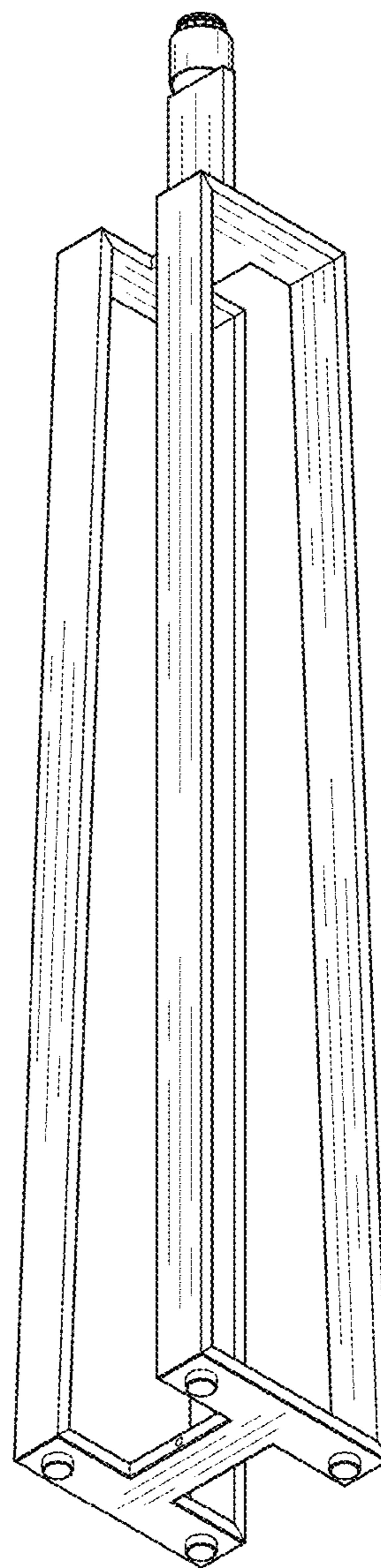


FIG. 10

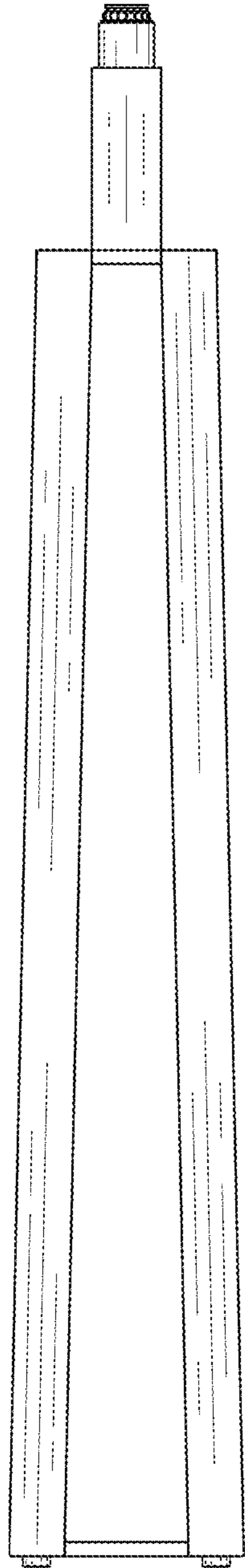


FIG. 11

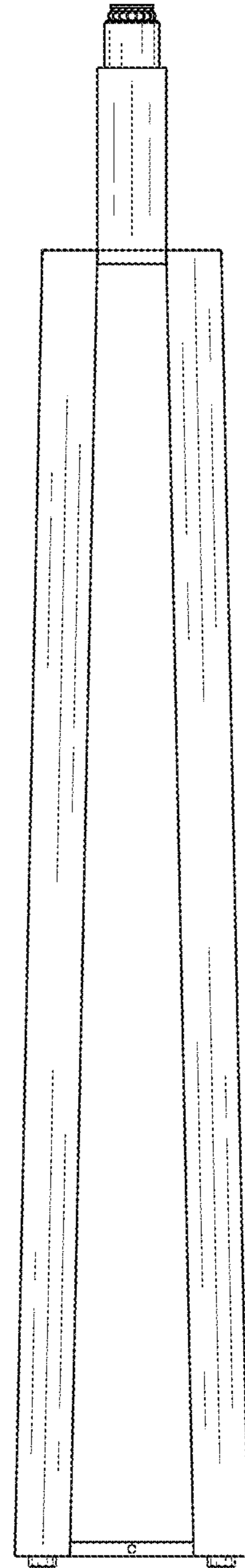


FIG. 12

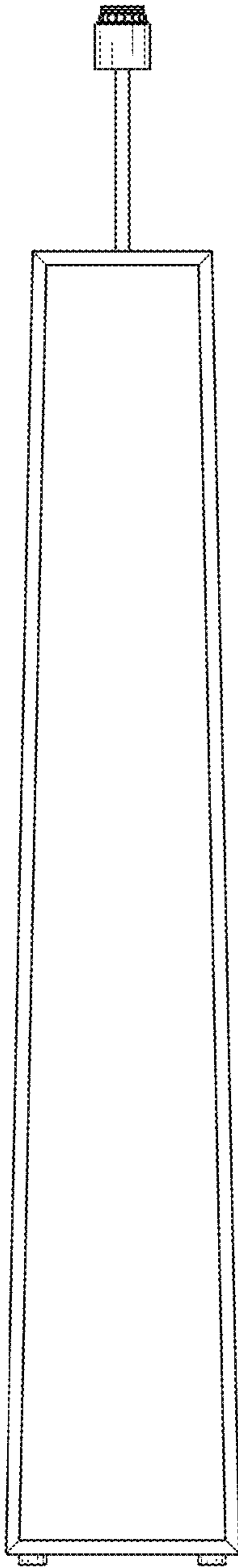


FIG. 13

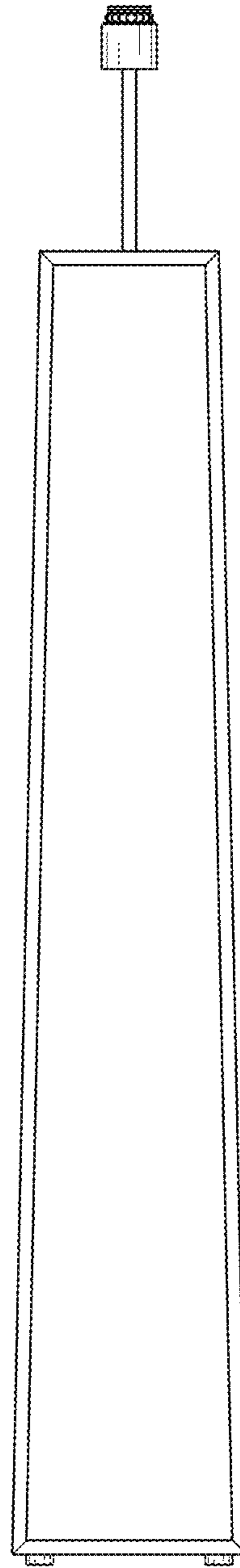


FIG. 14

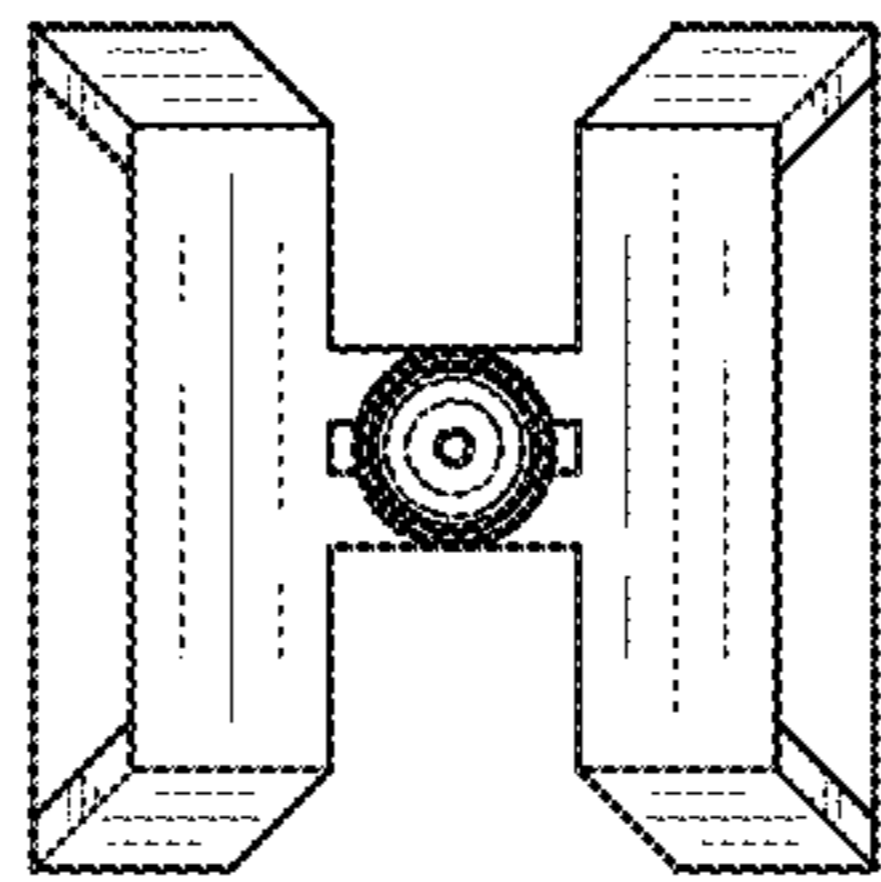


FIG. 15

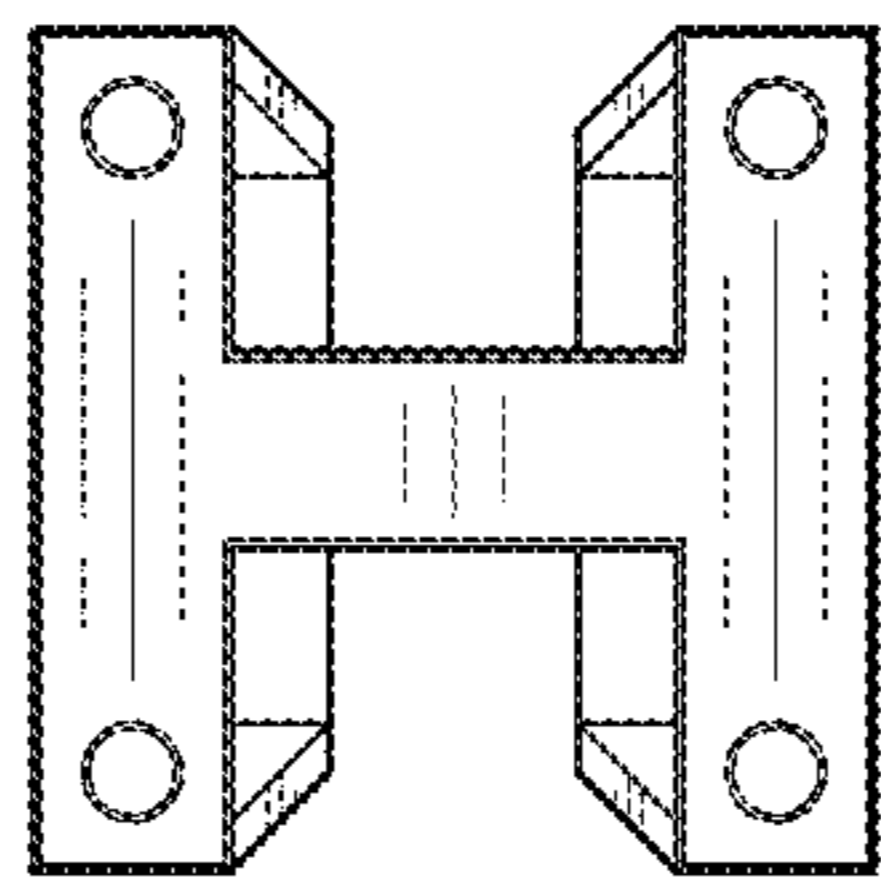


FIG. 16