



US00D774237S

(12) **United States Design Patent**  
**Stolte et al.**

(10) **Patent No.:** **US D774,237 S**

(45) **Date of Patent:** **\*\* Dec. 13, 2016**

(54) **LIGHTING FIXTURE**

(71) Applicant: **KENALL MANUFACTURING COMPANY**, Kenosha, WI (US)

(72) Inventors: **Brandon Stolte**, Lindenhurst, IL (US);  
**Brad Wilson**, Twin Lakes, WI (US)

(73) Assignee: **KENALL MANUFACTURING COMPANY**, Kenosha, WI (US)

(\*\*) Term: **14 Years**

(21) Appl. No.: **29/526,273**

(22) Filed: **May 7, 2015**

(51) **LOC (10) Cl.** ..... **26-03**

(52) **U.S. Cl.**

USPC ..... **D26/92**; D26/89

(58) **Field of Classification Search**

USPC ..... D26/67-72, 89, 92, 118

CPC ..... F21S 8/08; F21S 8/085; F21S 8/086;

F21S 8/088; F21V 21/13

See application file for complete search history.

(56) **References Cited**

**U.S. PATENT DOCUMENTS**

2,255,431 A \* 9/1941 Marden ..... C09K 11/025  
220/2.1 R

4,782,435 A \* 11/1988 Manzoni ..... F21S 8/033  
16/348

D465,599 S \* 11/2002 Thompson ..... D26/89

D571,034 S \* 6/2008 Goetz-Schaefer ..... D26/85

(Continued)

**OTHER PUBLICATIONS**

TekDek™ Advanced Lighting for Parking Garages Brochure, Kenall, 36 Pages.

*Primary Examiner* — Clare E Heflin

(74) *Attorney, Agent, or Firm* — Marshall, Gerstein & Borun LLP

(57) **CLAIM**

The ornamental design for a lighting fixture, as shown and described.

**DESCRIPTION**

FIG. 1 is a perspective view showing a first embodiment of a new design for a lighting fixture;

FIG. 2 is a bottom view of the lighting fixture of FIG. 1;

FIG. 3 is a front view of the lighting fixture of FIG. 1;

FIG. 4 is a right-side view of the lighting fixture of FIG. 1;

FIG. 5 is a back view of the lighting fixture of FIG. 1;

FIG. 6 is a left-side view of the lighting fixture of FIG. 1;

FIG. 7 is a top view of the lighting fixture of FIG. 1;

FIG. 8 is a perspective view showing a second embodiment of a new design for a lighting fixture;

FIG. 9 is a bottom view of the lighting fixture of FIG. 8;

FIG. 10 is a front view of the lighting fixture of FIG. 8;

FIG. 11 is a right-side view of the lighting fixture of FIG. 8;

FIG. 12 is a back view of the lighting fixture of FIG. 8;

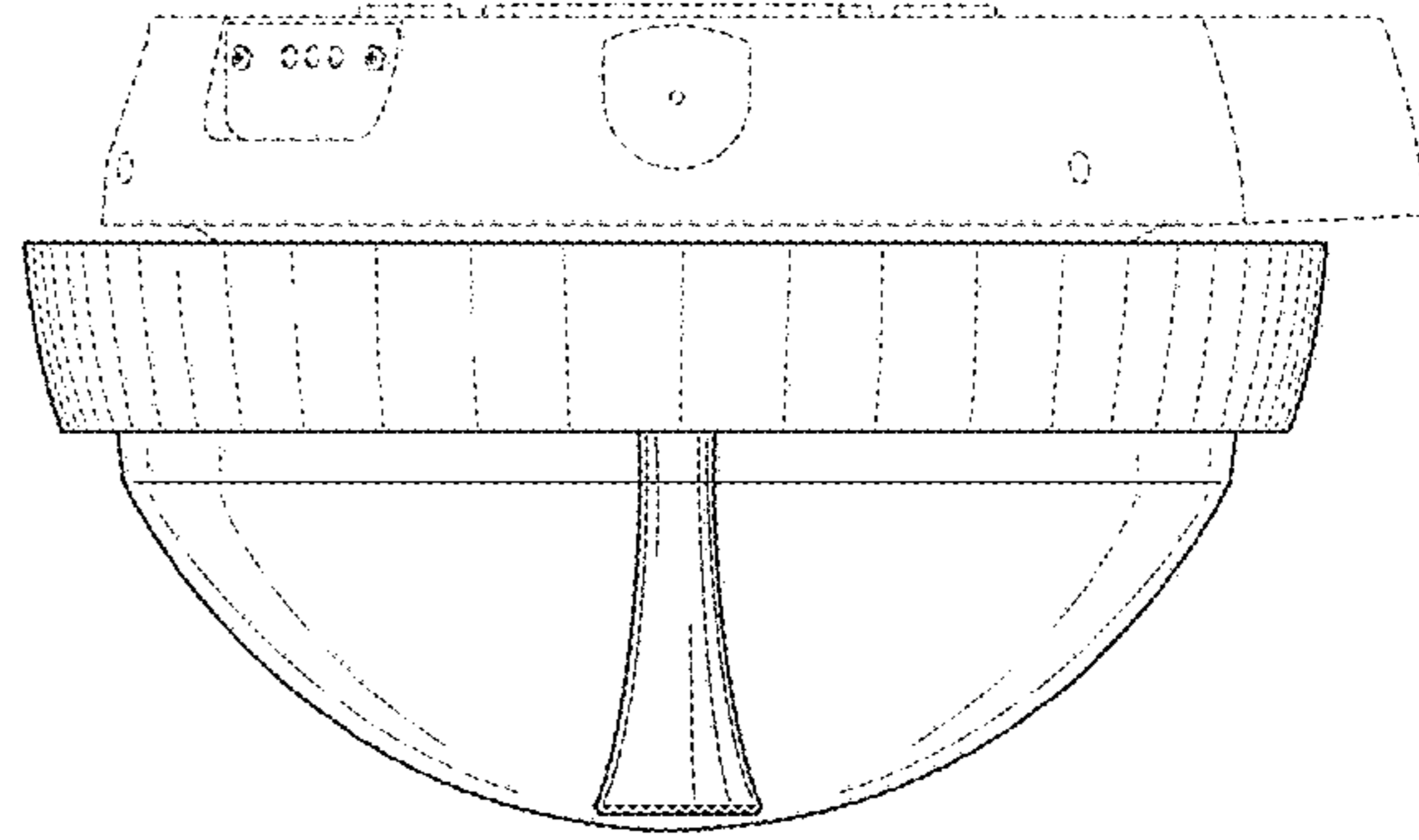
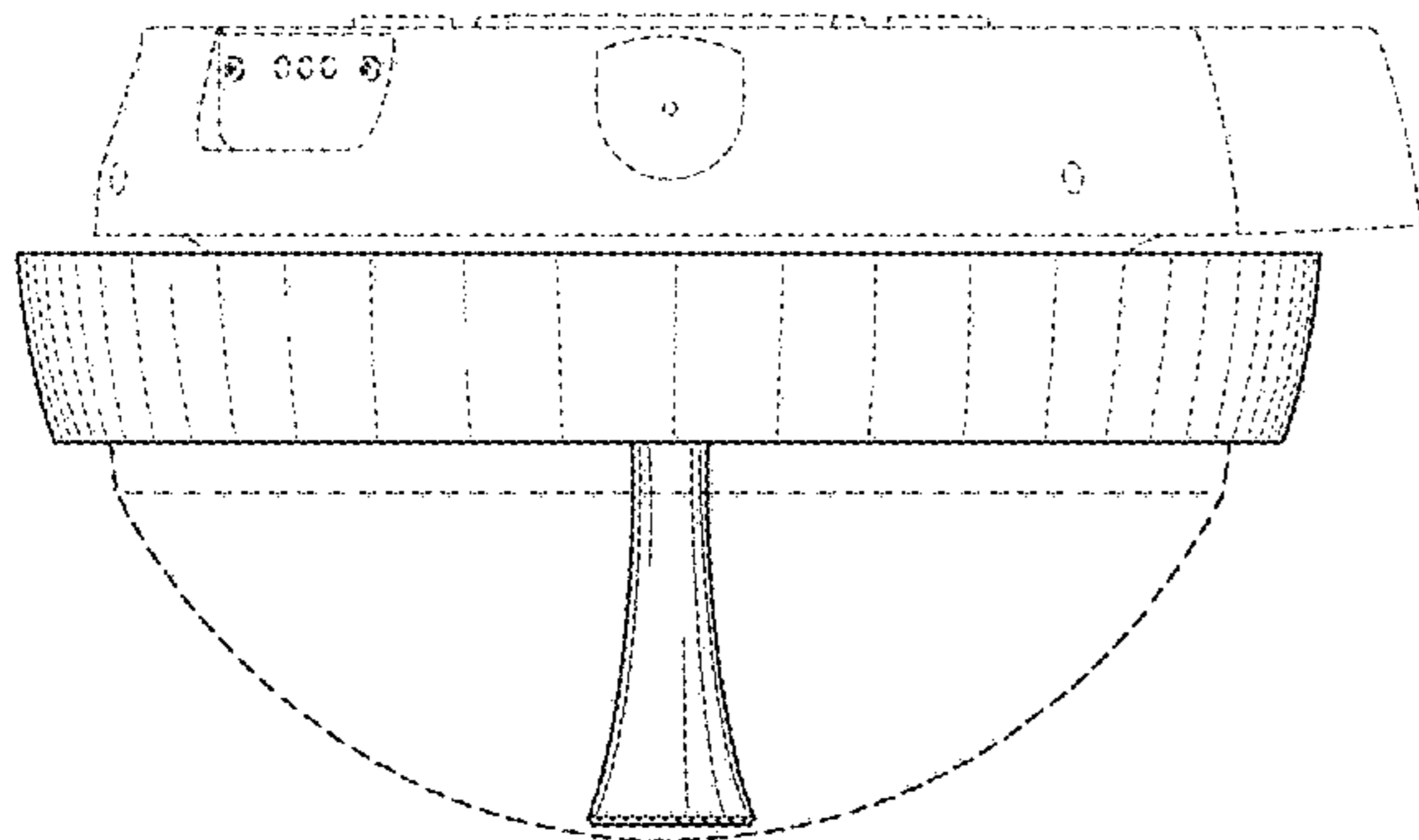
FIG. 13 is a left-side view of the lighting fixture of FIG. 8;

and,

FIG. 14 is a top view of the lighting fixture of FIG. 8.

The dashed lines showing portions of the lighting fixture are included for the purpose of illustrating environment and form no part of the claimed design.

**1 Claim, 14 Drawing Sheets**



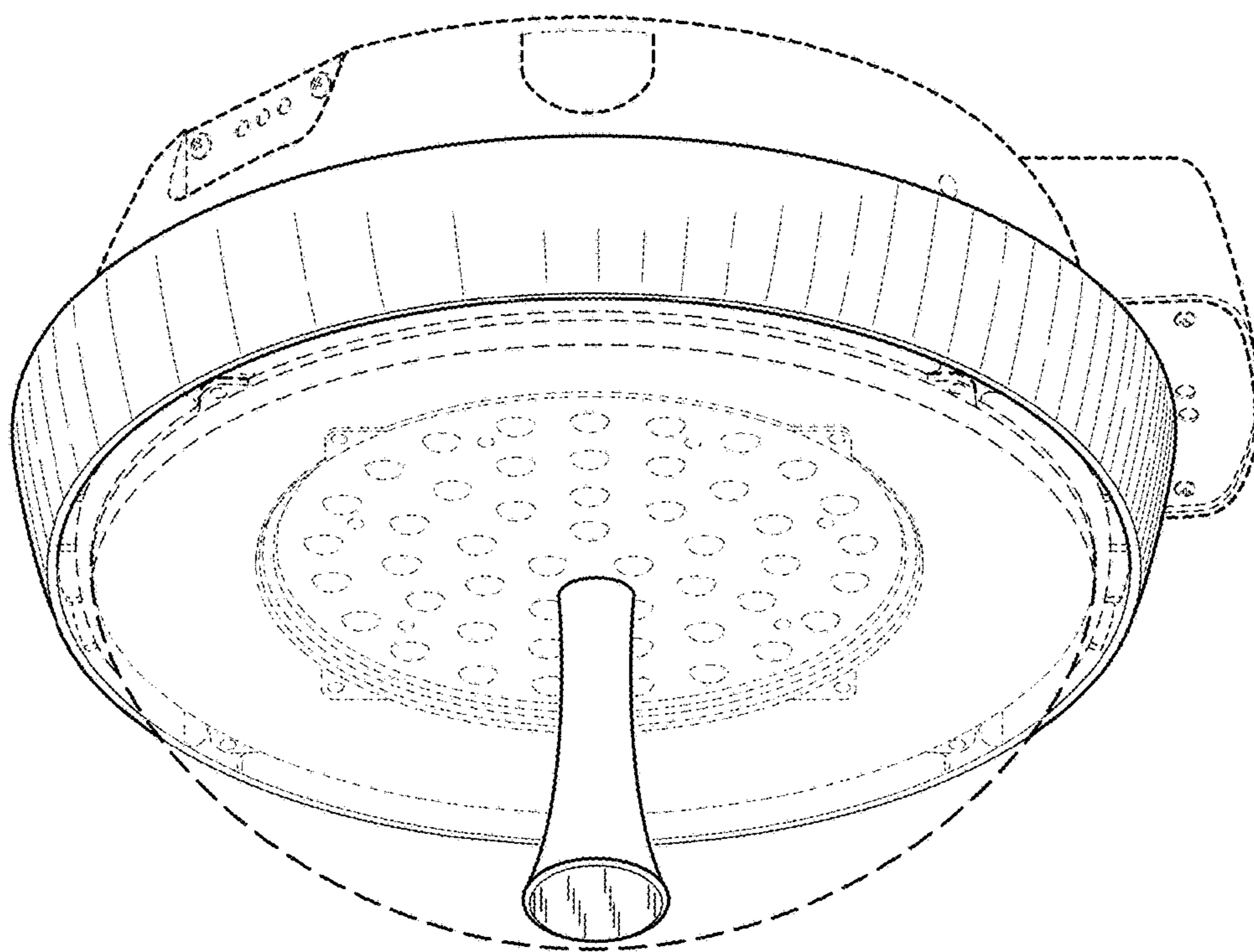
(56)

**References Cited**

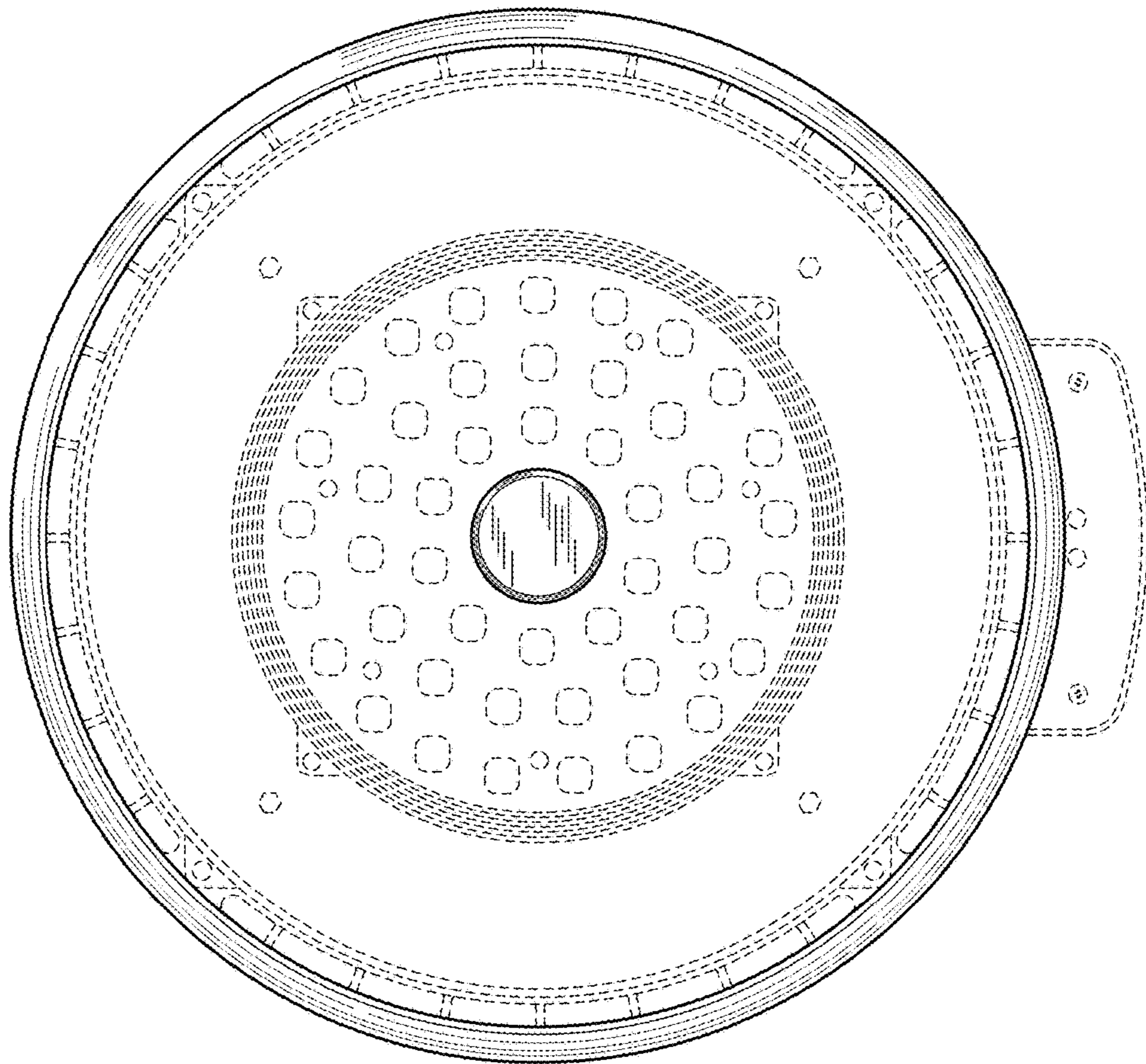
U.S. PATENT DOCUMENTS

D580,085 S \* 11/2008 Svensson ..... D26/71  
7,594,734 B2 \* 9/2009 Bacon ..... F21V 3/00  
362/147  
D628,738 S \* 12/2010 Chen ..... D26/89  
D634,053 S \* 3/2011 Guercio ..... D26/89  
D639,996 S \* 6/2011 Stolte ..... D26/89  
D657,088 S \* 4/2012 Miro ..... D26/85  
D673,723 S \* 1/2013 Cartwright ..... D26/142  
D694,459 S \* 11/2013 Fang ..... D26/87  
8,672,518 B2 \* 3/2014 Boomgaarden ..... F21S 8/026  
362/147  
D743,612 S \* 11/2015 Stolte ..... D26/92  
D747,824 S \* 1/2016 Stolte ..... D26/89  
D753,866 S \* 4/2016 Stolte ..... D26/89  
D758,638 S \* 6/2016 Stolte ..... D26/89  
2012/0176792 A1 7/2012 Stolte et al.

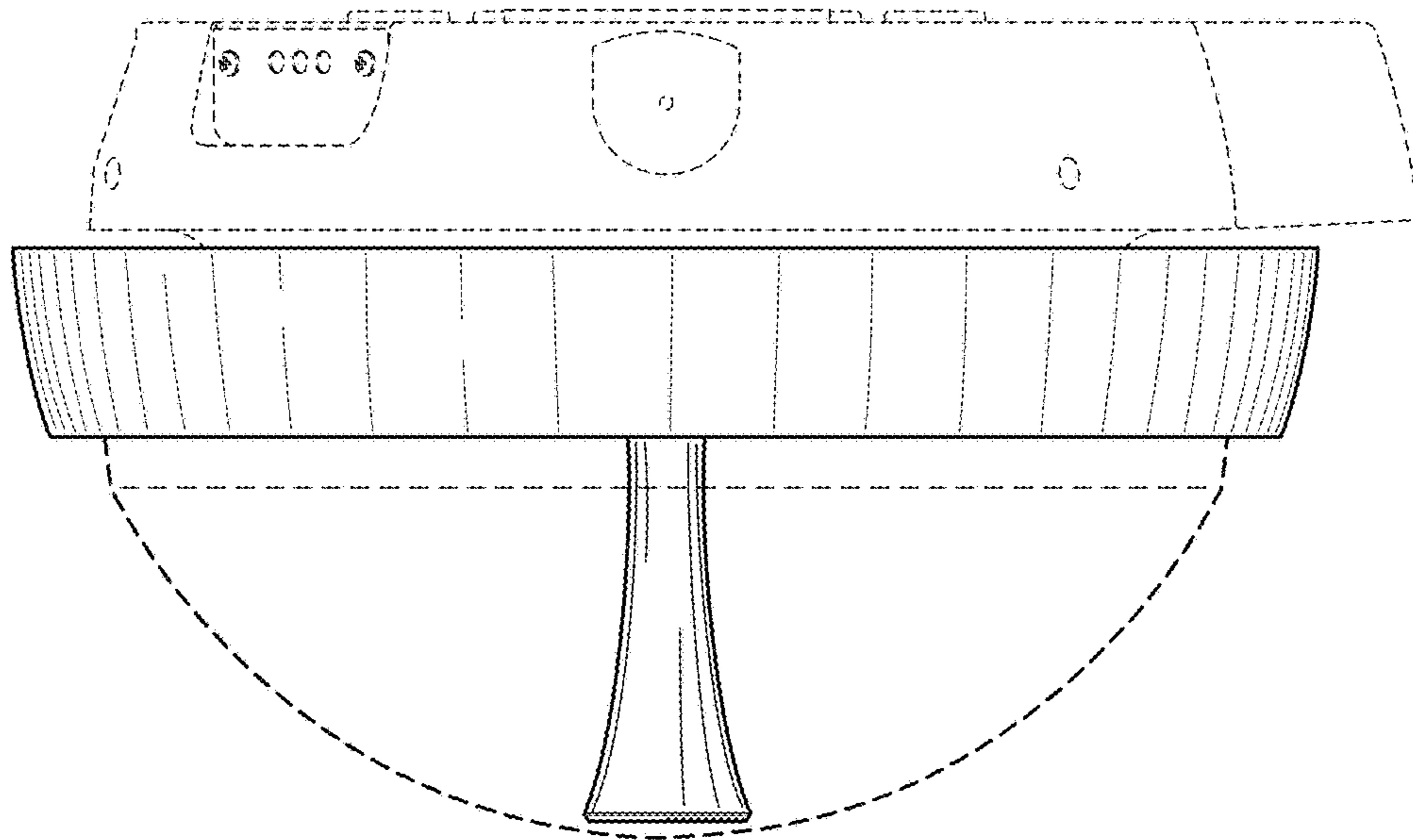
\* cited by examiner



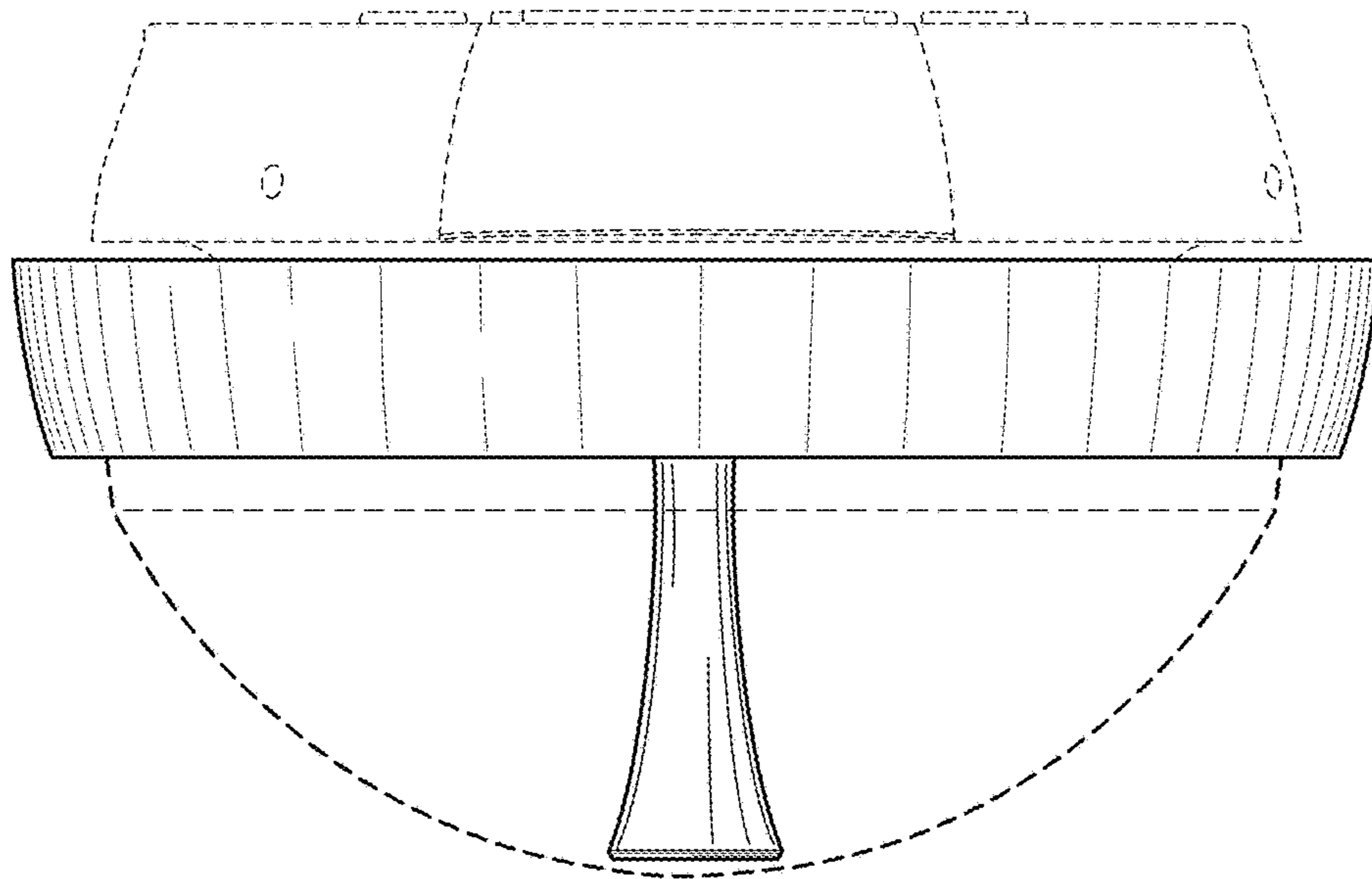
**FIG. 1**



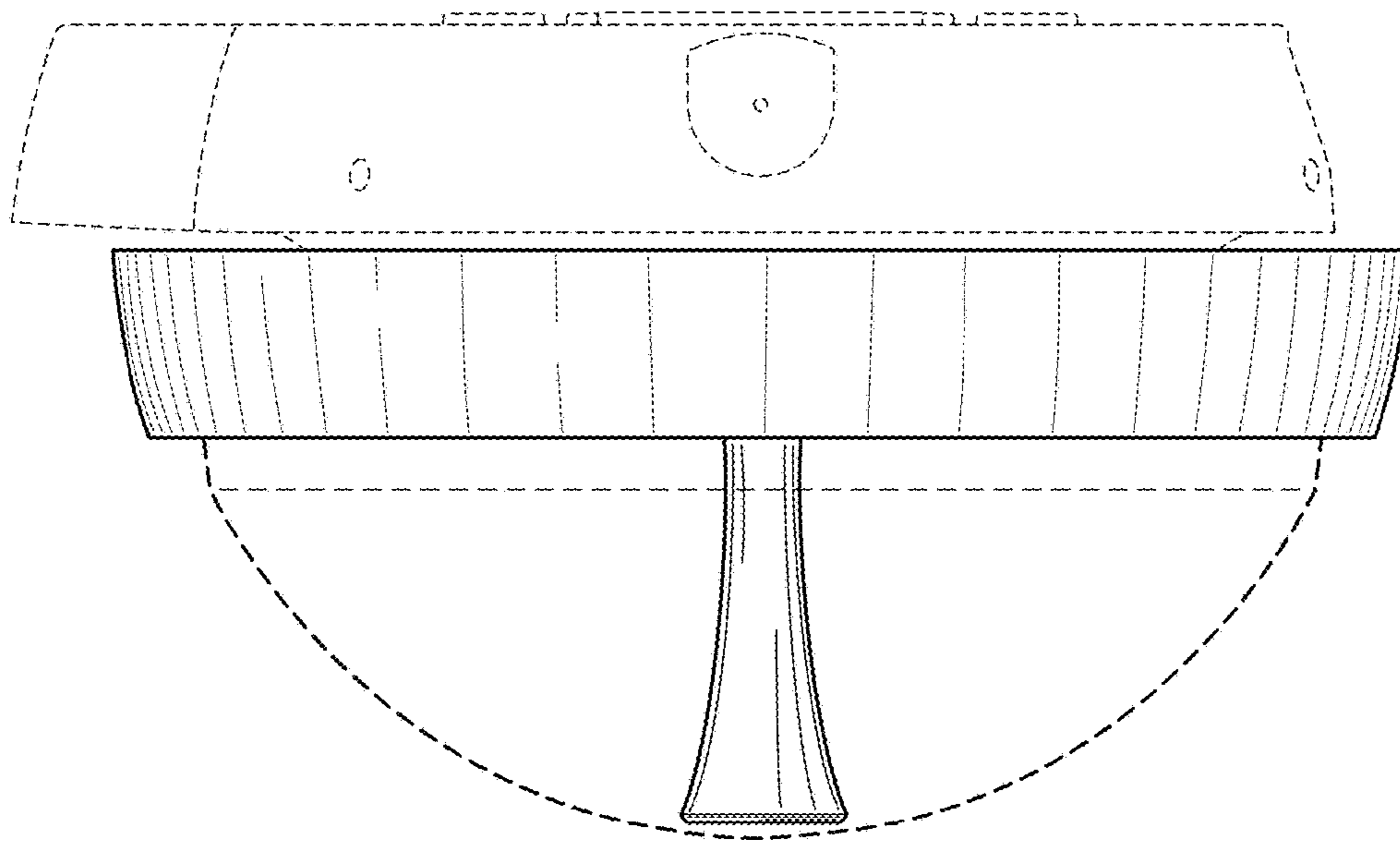
**FIG. 2**



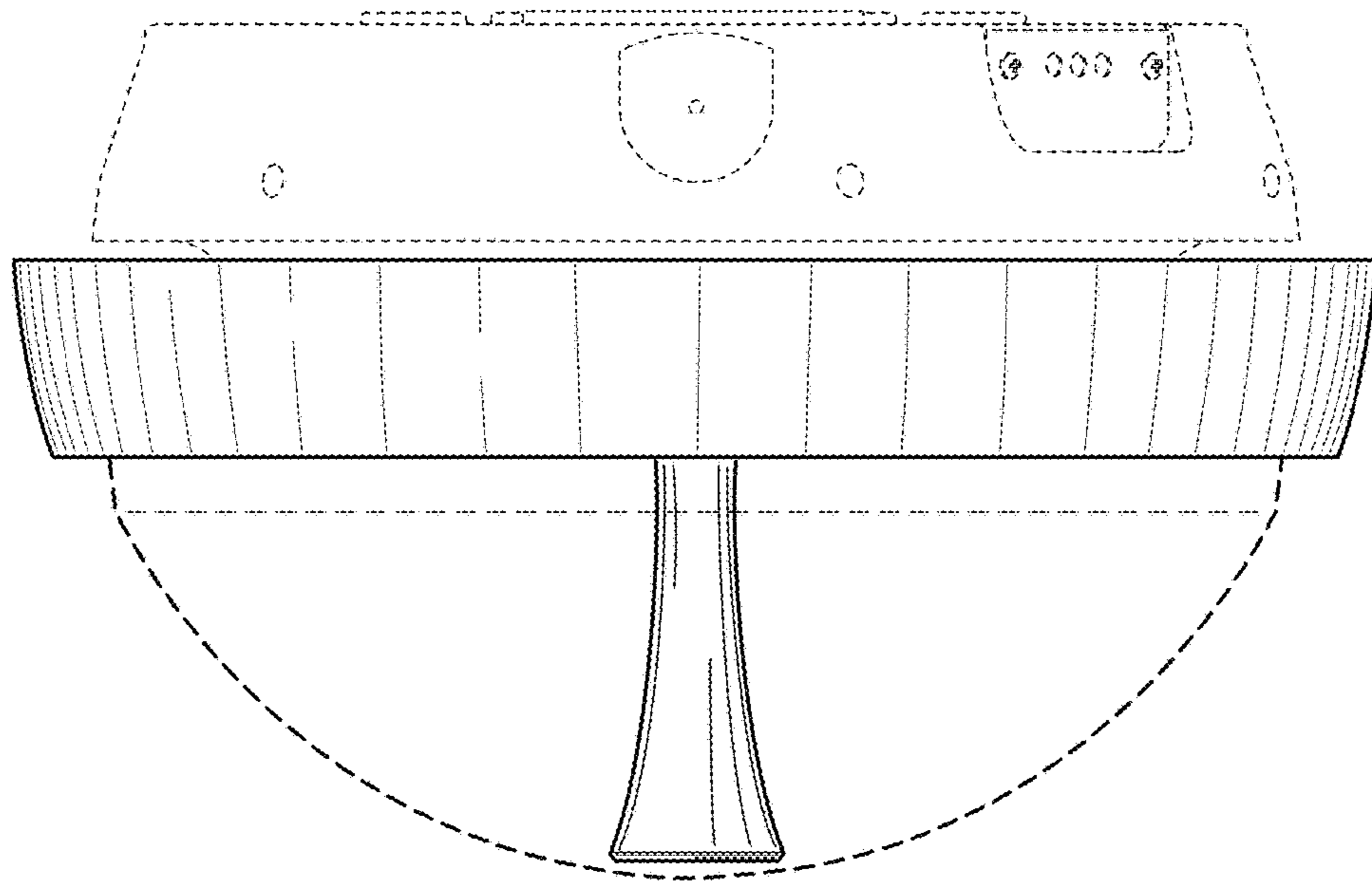
**FIG. 3**



**FIG. 4**

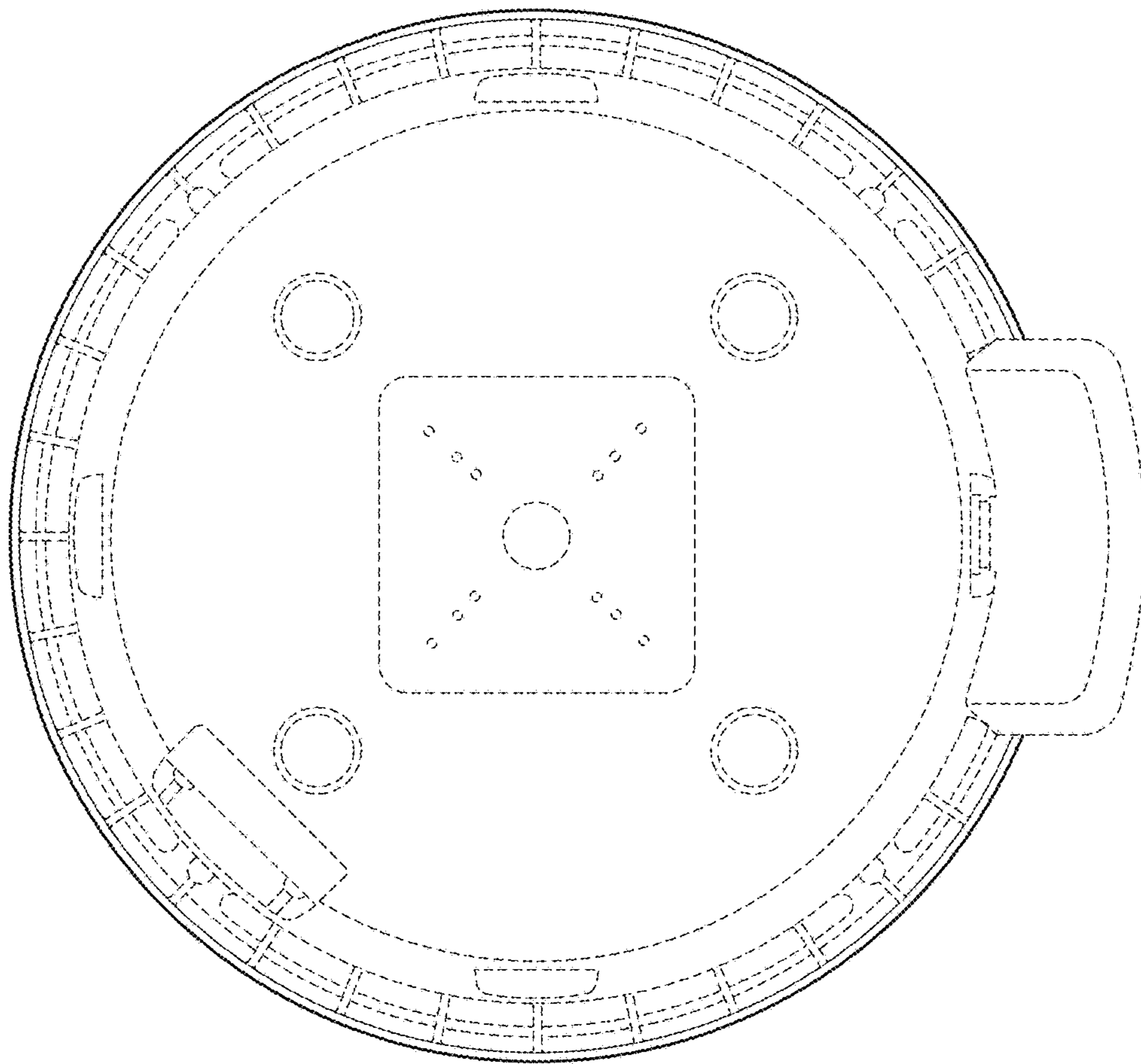


**FIG. 5**

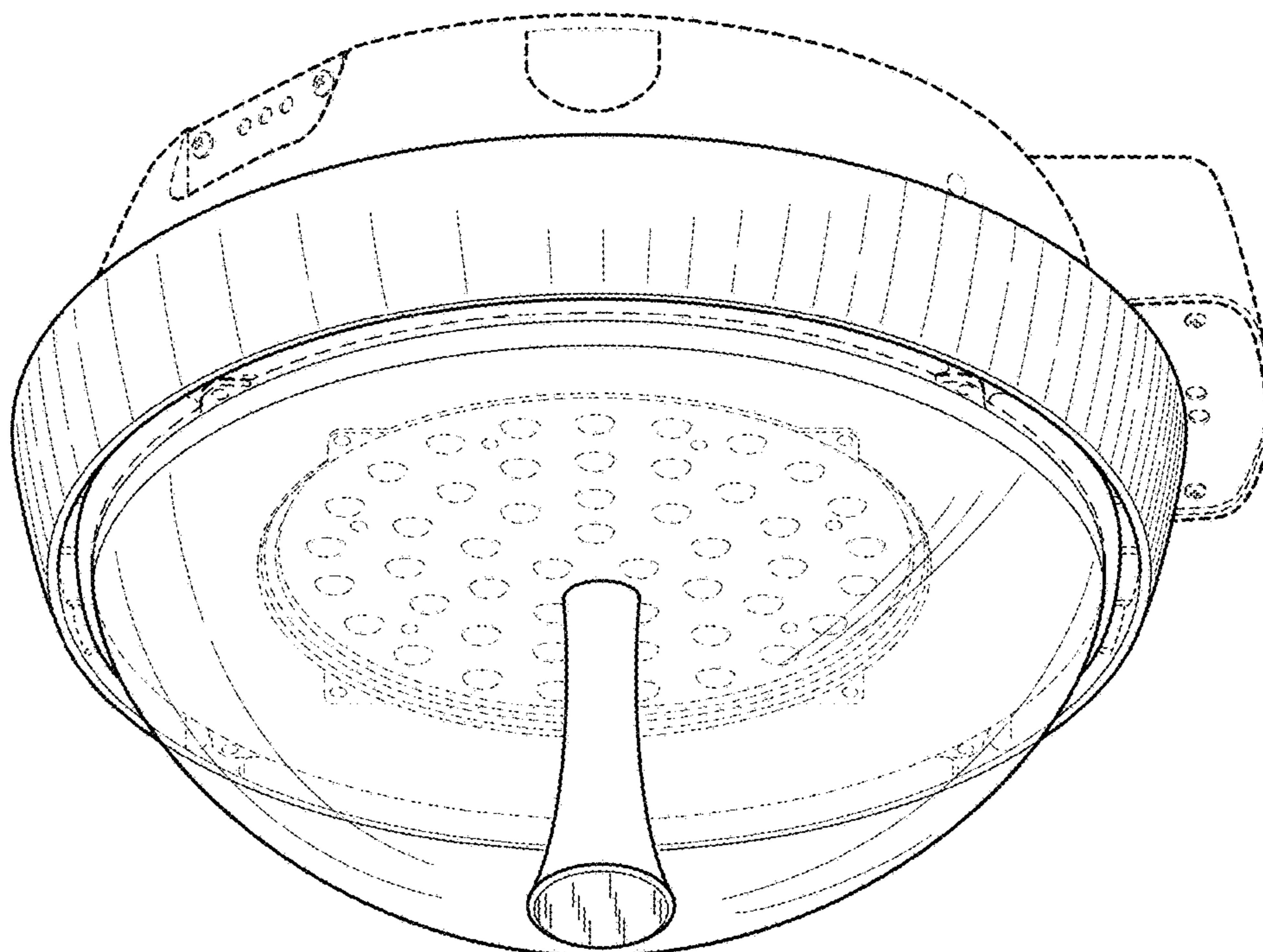


**FIG. 6**

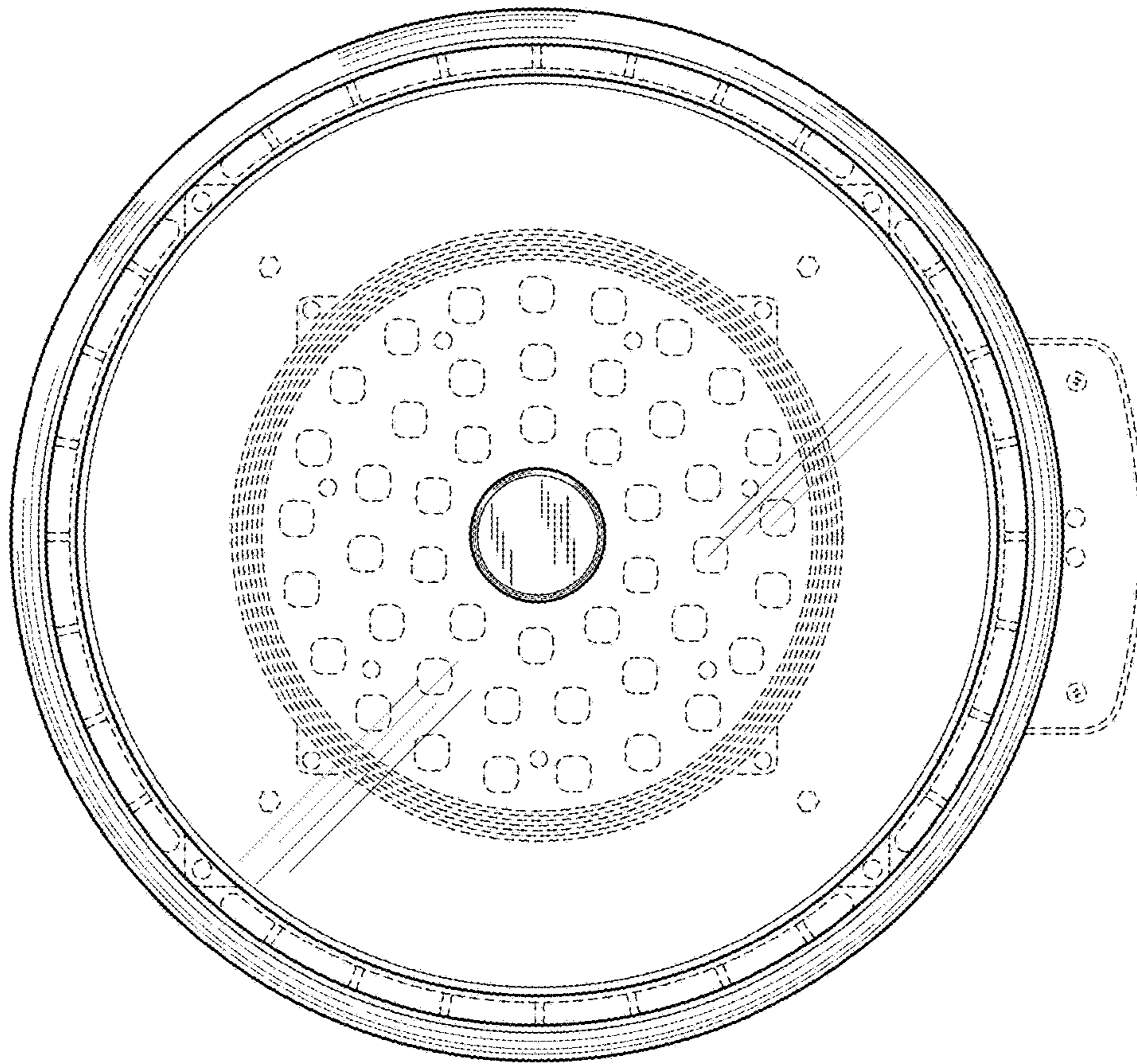




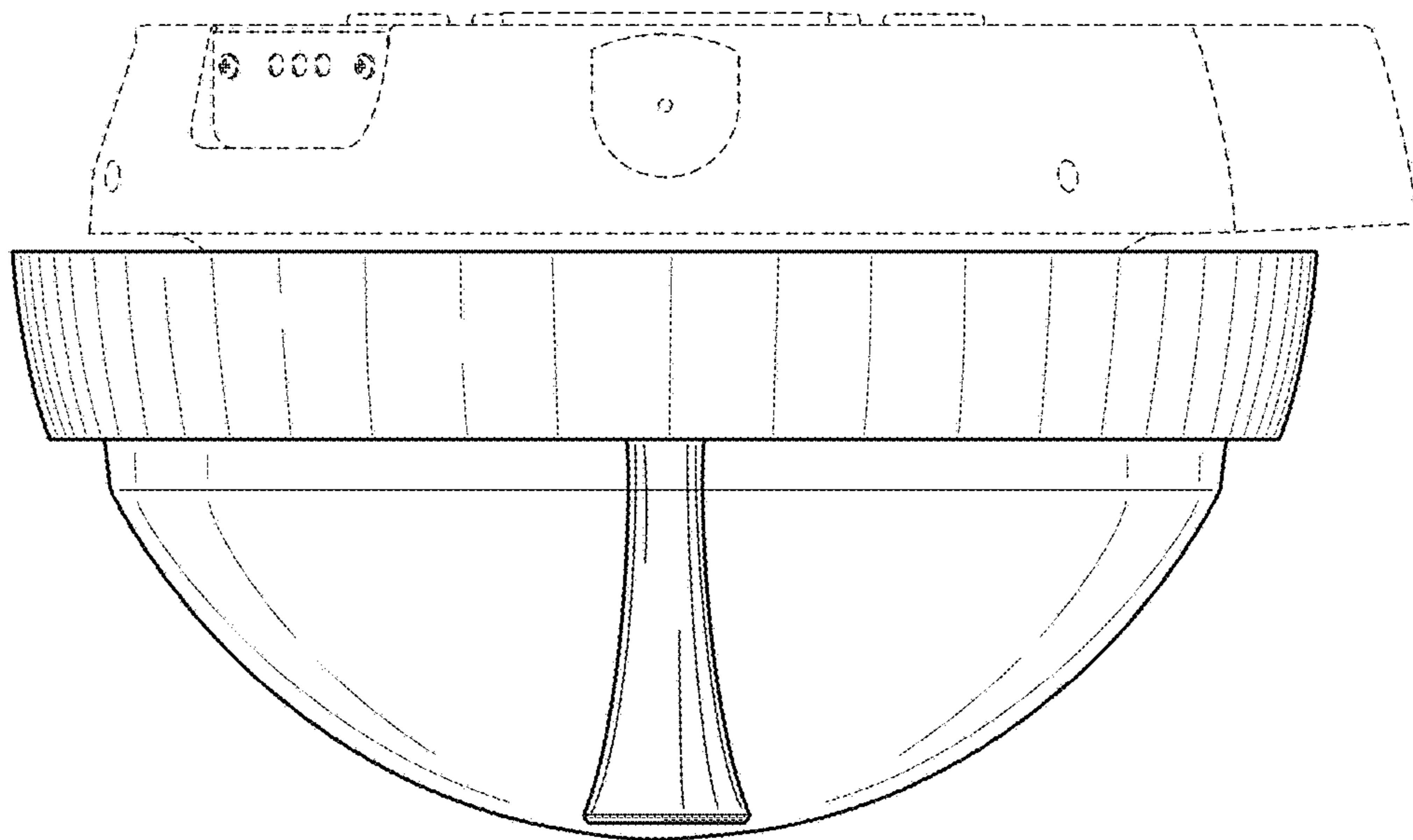
**FIG. 7**



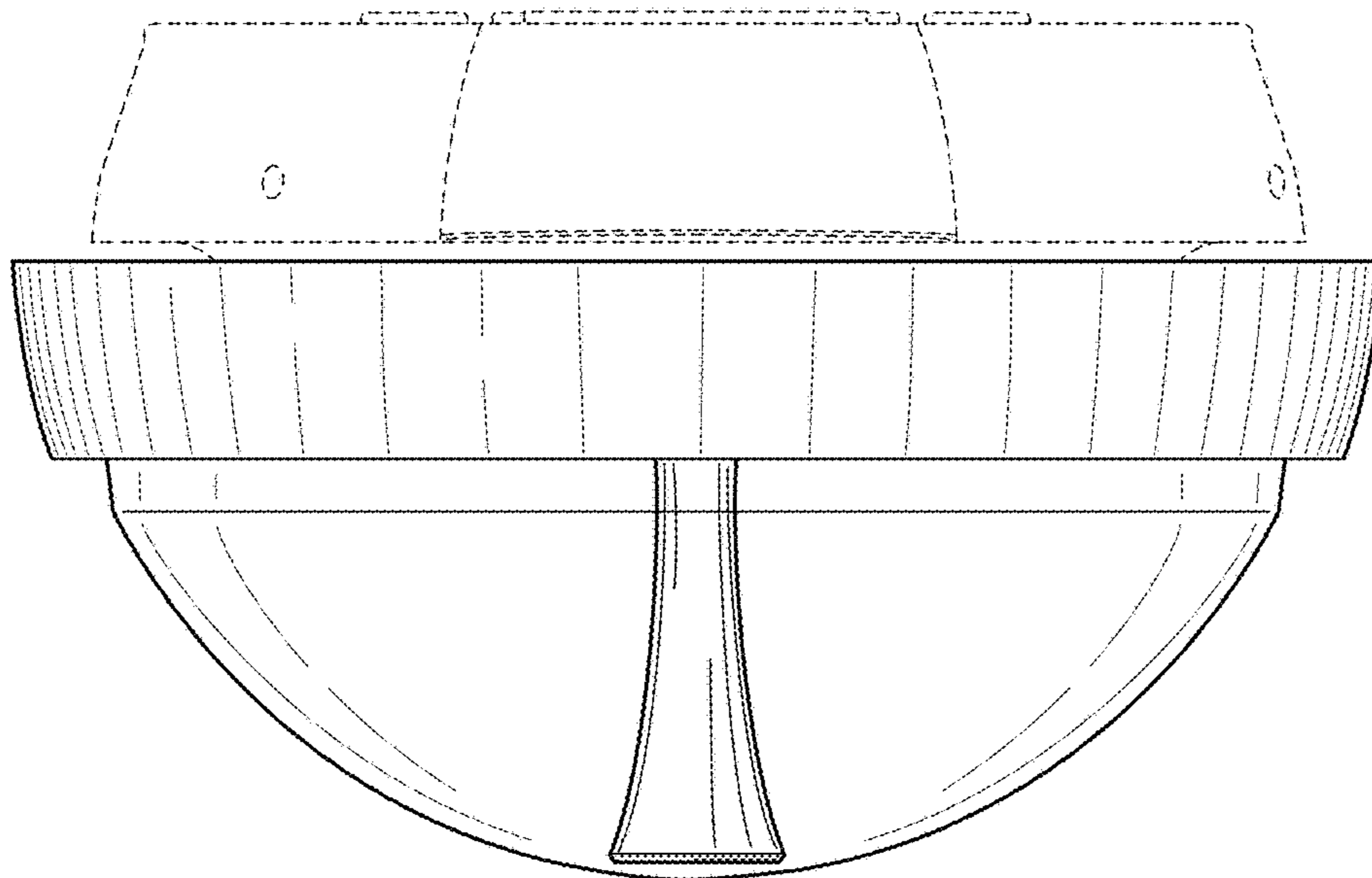
**FIG. 8**



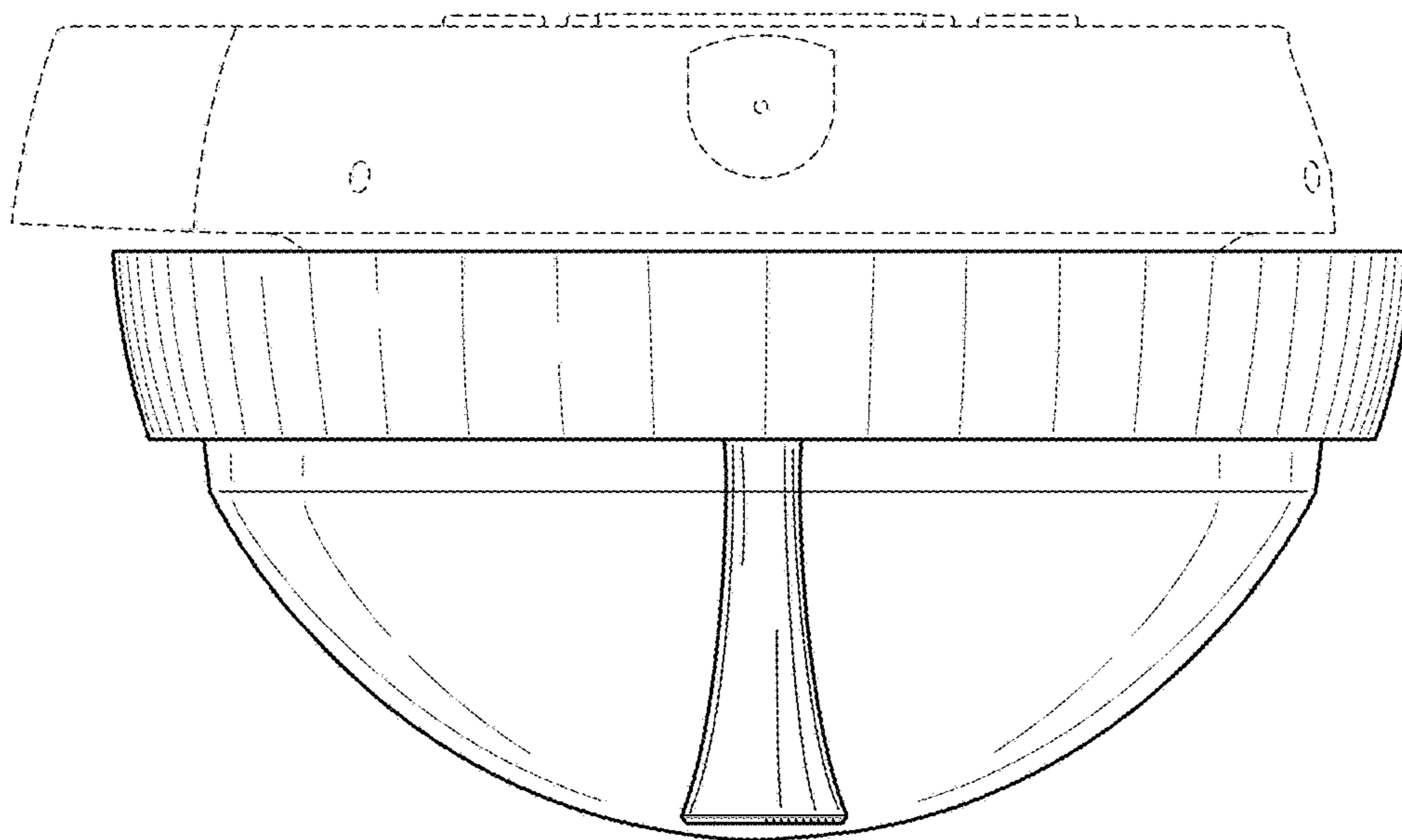
**FIG. 9**



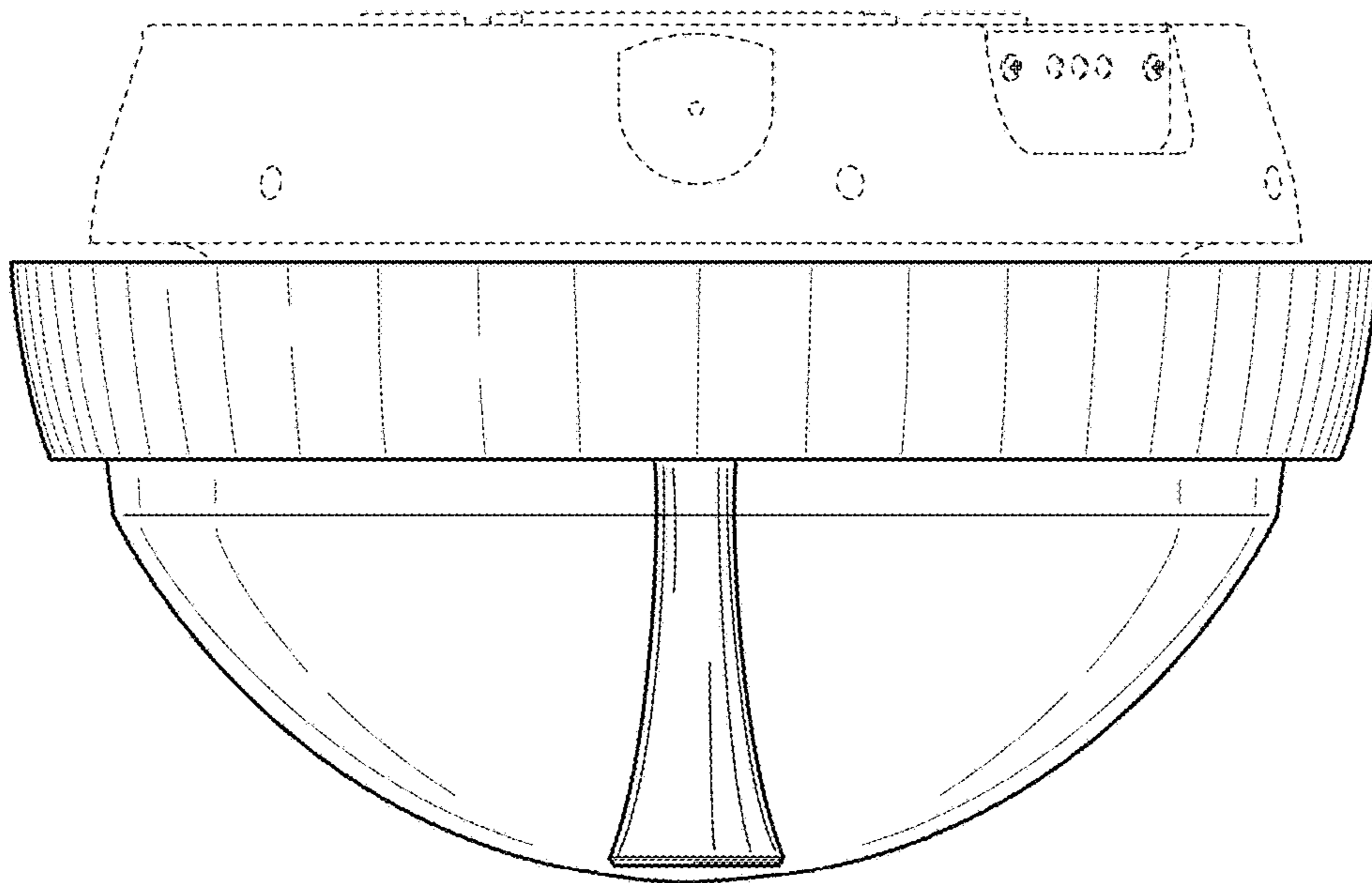
**FIG. 10**



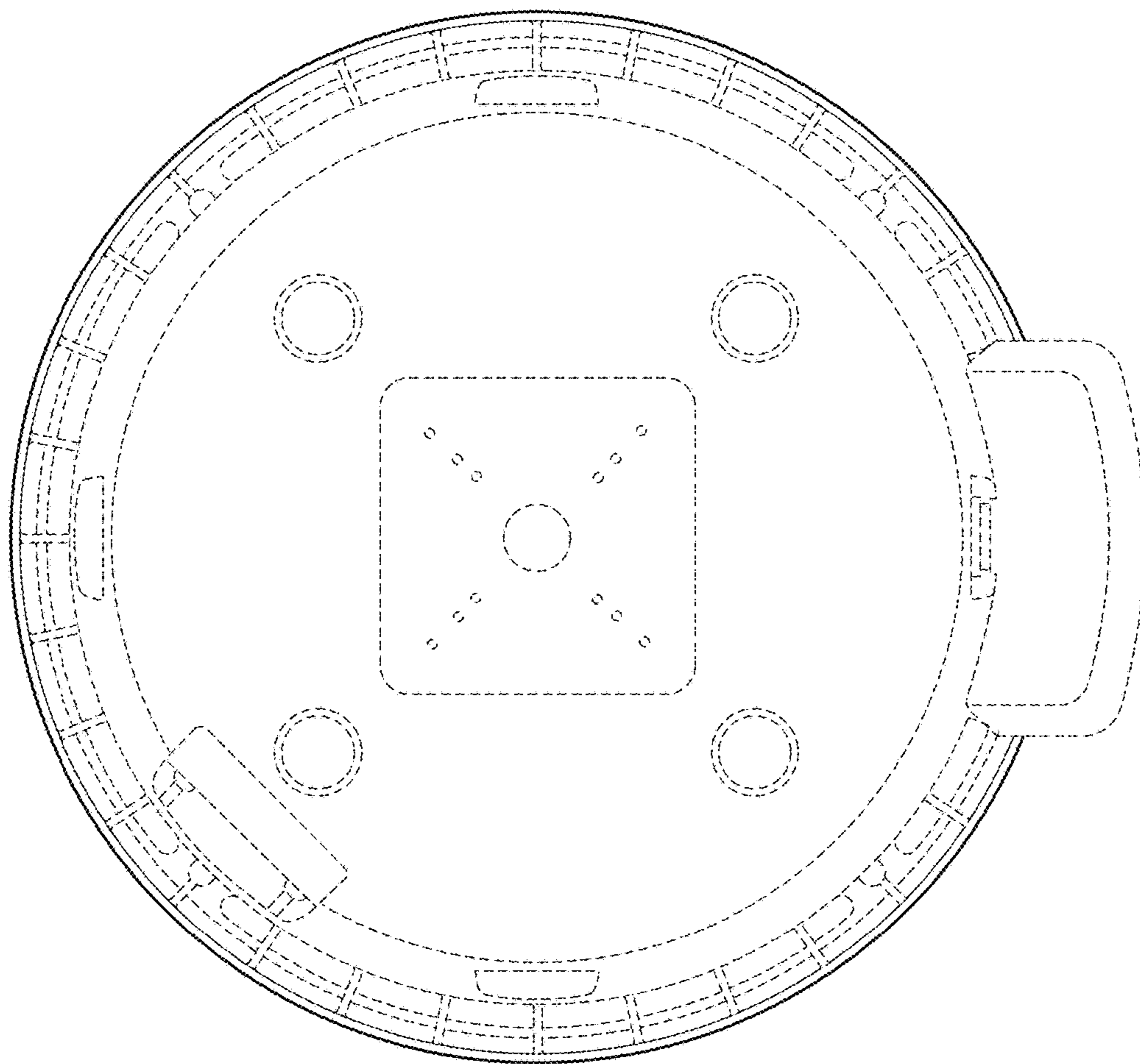
**FIG. 11**



**FIG. 12**



**FIG. 13**



**FIG. 14**