

US00D774236S

(12) **United States Design Patent** (10) **Patent No.:** **US D774,236 S**
Anderson et al. (45) **Date of Patent:** **** Dec. 13, 2016**

- (54) **LIGHTING FIXTURE**
- (71) Applicant: **Apparatus LLC**, New York, NY (US)
- (72) Inventors: **Jeremy R. Anderson**, Brooklyn, NY (US); **Gabriel Hendifar**, Brooklyn, NY (US)
- (73) Assignee: **APPARATUS LLC**, New York, NY (US)
- (**) Term: **15 Years**
- (21) Appl. No.: **29/527,196**
- (22) Filed: **May 16, 2015**
- (51) **LOC (10) Cl.** **26-03**
- (52) **U.S. Cl.**
USPC **D26/85**
- (58) **Field of Classification Search**
USPC D26/73, 85, 87, 88
See application file for complete search history.

D614,340 S *	4/2010	Thun	D26/88
D666,763 S *	9/2012	Gilad	D26/87
D671,255 S *	11/2012	Sonneman	D26/85
D674,954 S *	1/2013	Sonneman	D26/88
D680,675 S *	4/2013	Coury	D26/118
D694,943 S *	12/2013	Sonneman	D26/88
D697,660 S *	1/2014	Sabernig	D26/87
D712,583 S *	9/2014	Albicini	D26/88
D725,306 S *	3/2015	Salvagno	D26/84
D730,561 S *	5/2015	Loebach	D26/84

OTHER PUBLICATIONS

Horsehair Sconce from Apparatus Studio. © 2014. Found at apparatusstudio.com / 2 pages.*

* cited by examiner

Primary Examiner — Clare E Heflin
(74) *Attorney, Agent, or Firm* — Gottlieb, Rackman & Reisman P.C.

(57) **CLAIM**

We claim the ornamental design for a lighting fixture, as shown and described.

DESCRIPTION

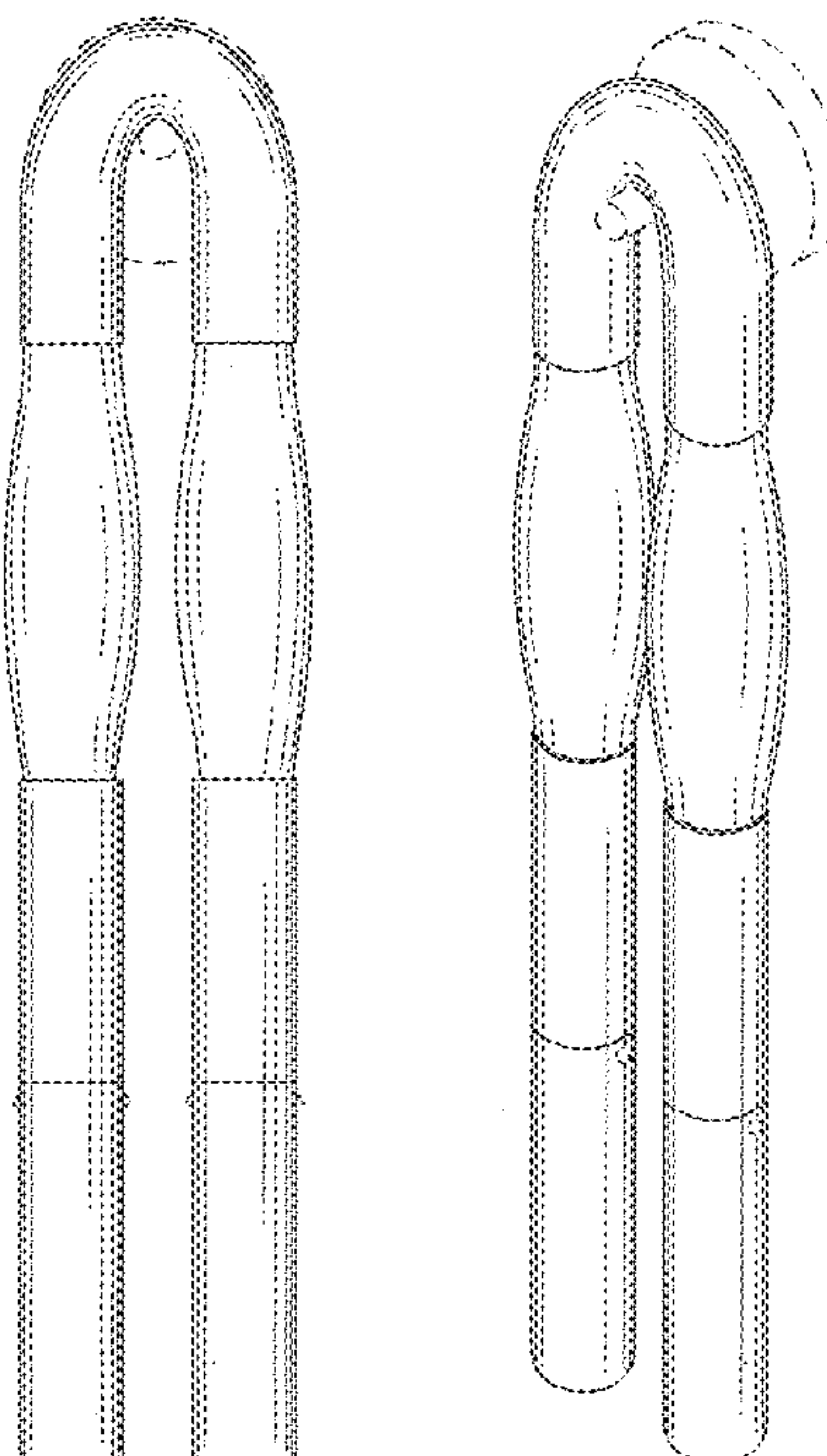
FIG. 1 is a left elevation view showing my new design of a lighting fixture;
FIG. 2 is a right elevation view thereof;
FIG. 3 is a front elevation view thereof;
FIG. 4 is a rear elevation view thereof;
FIG. 5 is an enlarged top plan view thereof;
FIG. 6 is an enlarged bottom plan view thereof; and,
FIG. 7 is a perspective view of the lighting fixture.
The broken lines shown on the drawings depict portions of the lighting fixture that form no part of the claimed design.

1 Claim, 7 Drawing Sheets

(56) **References Cited**

U.S. PATENT DOCUMENTS

D38,253 S *	9/1906	Chisholm	D26/88
D38,816 S *	9/1907	Campbell	D26/88
D73,675 S *	10/1927	Solomon	D26/88
D125,317 S *	2/1941	Sabatini	D26/88
D208,003 S *	6/1967	Eckert	D26/87
D304,863 S *	11/1989	Ohai	D26/85
D342,338 S *	12/1993	Thun	D26/63
D350,497 S *	9/1994	Lombardo	D11/118
D442,317 S *	5/2001	Crosby	D26/87
D549,383 S *	8/2007	Duggan	D26/85
D574,992 S *	8/2008	Citterio	D26/87
D597,244 S *	7/2009	Trumble	D26/88



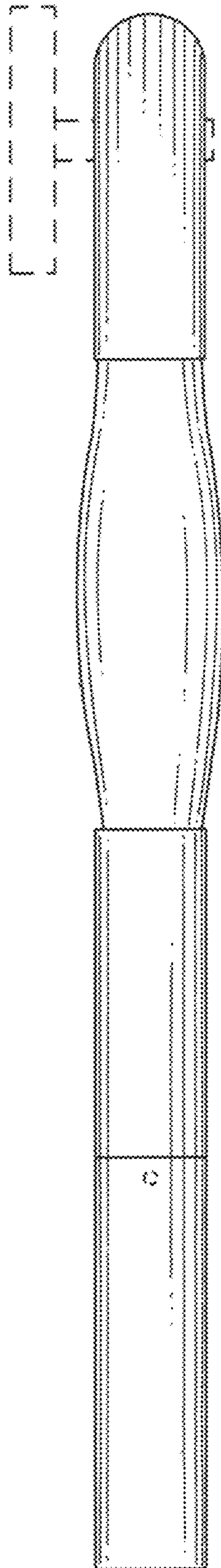


FIG. 1

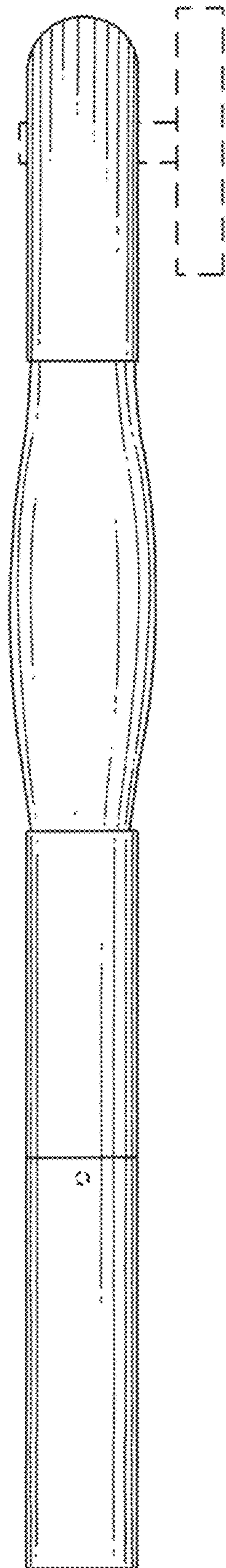
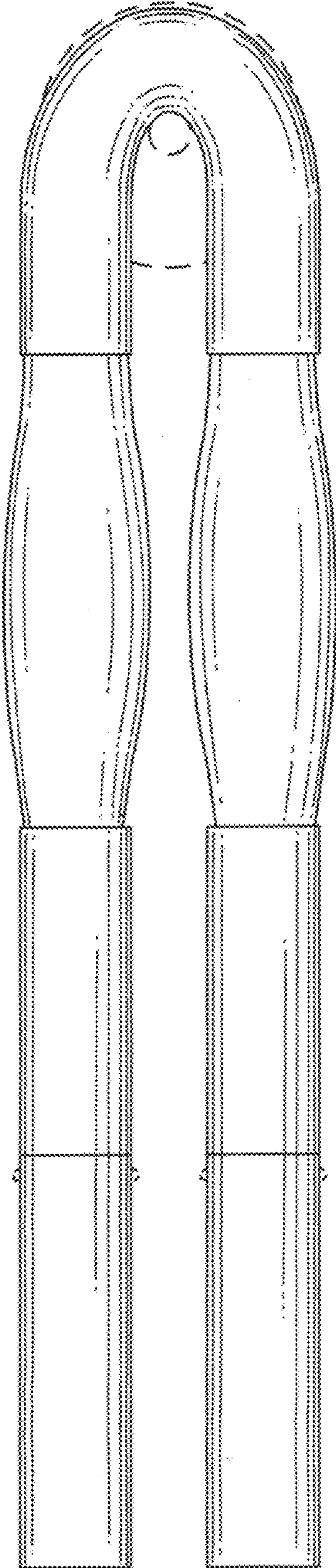


FIG. 2

FIG. 3



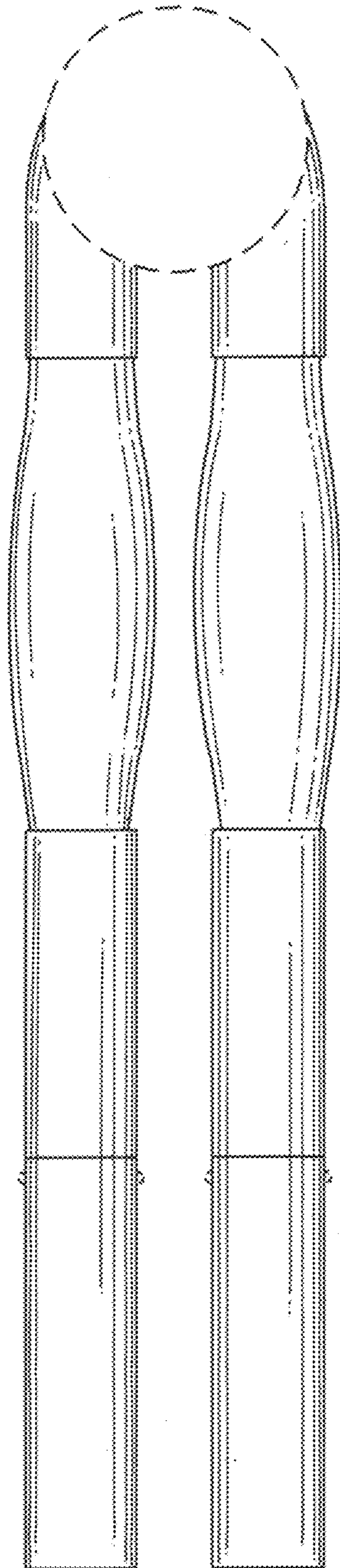


FIG. 4

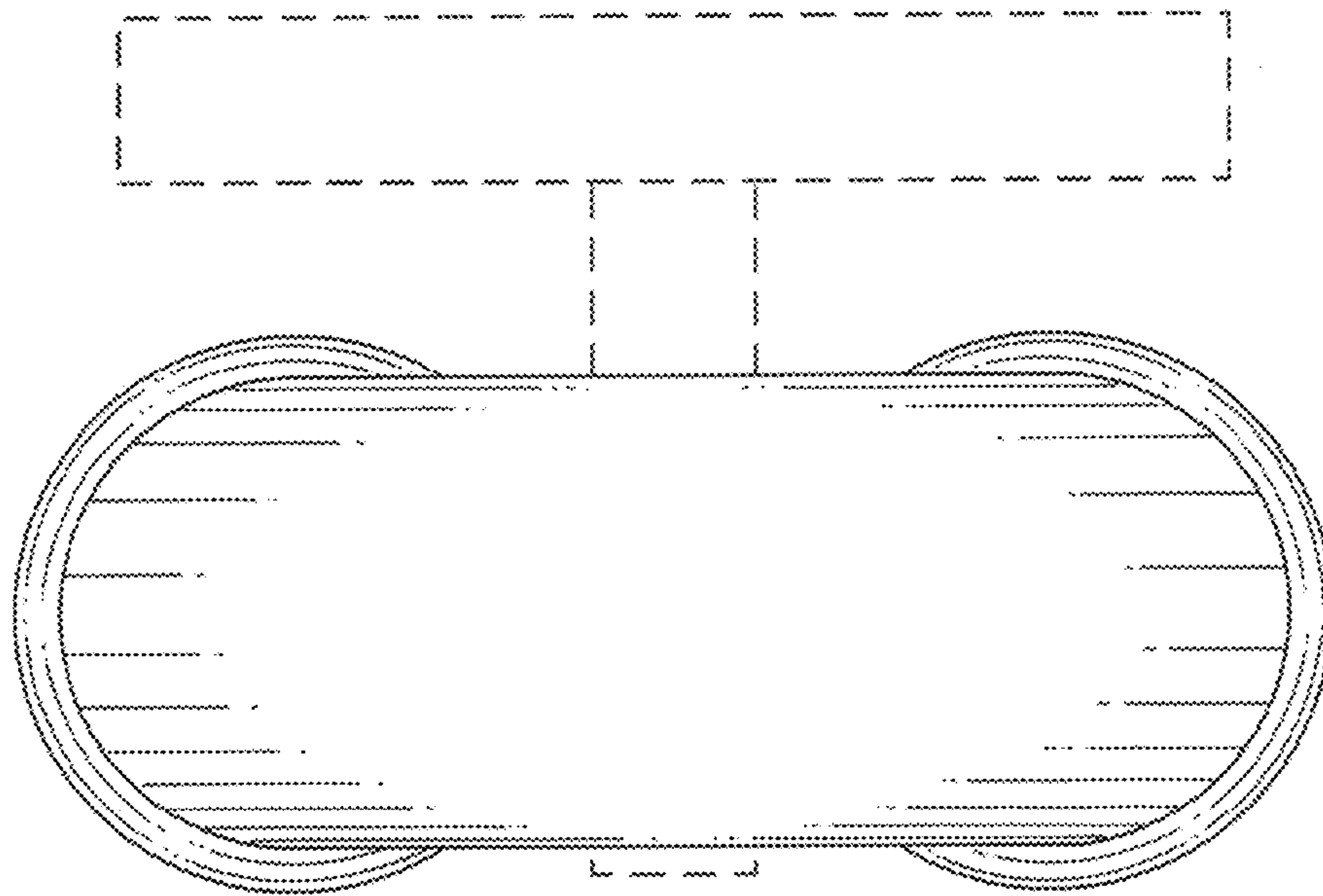


FIG. 5

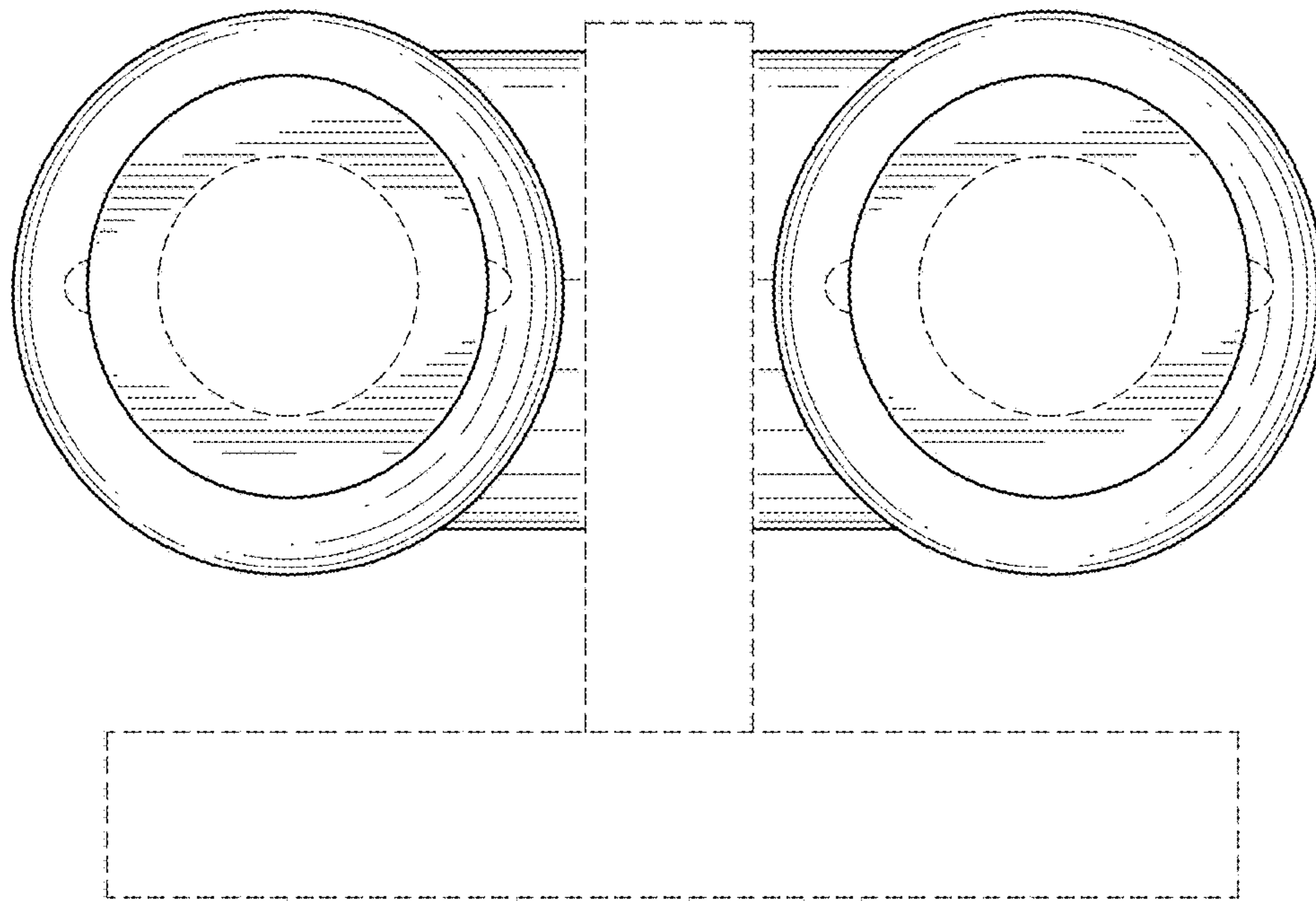


FIG.6

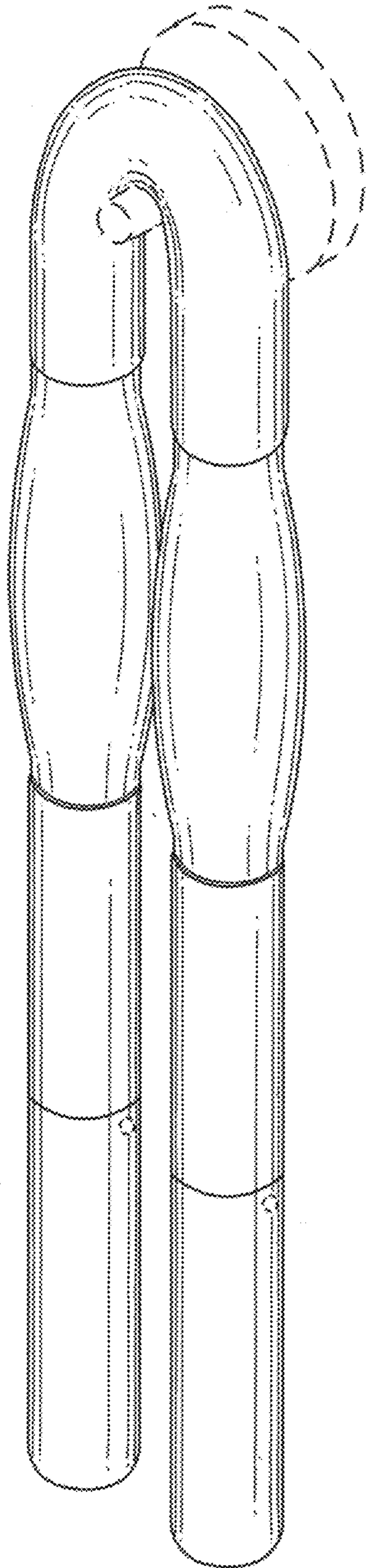


FIG. 7