



US00D774235S

(12) **United States Design Patent** (10) **Patent No.:** **US D774,235 S**
Wilke et al. (45) **Date of Patent:** **** Dec. 13, 2016**

(54) **GLARE SHIELD FOR LED LIGHT FIXTURE**

(71) Applicant: **Albeo Technologies, Inc.**, Boulder, CO (US)

(72) Inventors: **Christopher Wilke**, Louisville, CO (US); **Jeffrey Bisberg**, Boulder, CO (US); **Neil Cannon**, Eldorado Springs, CO (US); **Peter Van Laanen**, Boulder, CO (US); **Paul Winker**, Broomfield, CO (US); **Andrew Wetzig**, Broomfield, CO (US)

(73) Assignee: **ALBEO TECHNOLOGIES, INC.**, Boulder, CO (US)

(**) Term: **14 Years**

(21) Appl. No.: **29/524,696**

(22) Filed: **Apr. 22, 2015**

Related U.S. Application Data

(62) Division of application No. 29/449,296, filed on Mar. 14, 2013, now Pat. No. Des. 731,103.

(51) **LOC (10) Cl.** **26-99**

(52) **U.S. Cl.**
USPC **D26/76**

(58) **Field of Classification Search**
USPC ... D26/3, 24, 35, 39, 42, 71, 72, 75, 76, 78, D26/79, 80, 81, 82, 83, 85, 88, 90, 118, D26/119, 120, 121, 122, 138
CPC F21S 4/00; F21S 4/003; F21S 4/006; F21S 4/007; F21S 4/008; F21S 6/004; F21S 6/005; F21K 9/54; F21V 15/01; F21V 15/013
See application file for complete search history.

(56) **References Cited**

U.S. PATENT DOCUMENTS

D123,761 S 12/1940 Brighton
D387,333 S 12/1997 Pellow et al.

D476,753 S 7/2003 Chelf et al.
D480,172 S 9/2003 Herst et al.
D521,172 S 5/2006 Chen
7,813,131 B2 10/2010 Liang
D629,958 S 12/2010 Kong et al.
D641,908 S 7/2011 McKee
7,972,035 B2 7/2011 Boyer
D643,960 S 8/2011 Waldmann
D663,885 S 7/2012 Maxik et al.
D669,204 S * 10/2012 Snell D26/76
D674,964 S * 1/2013 Bailey D26/118
D714,486 S * 9/2014 Wilke D26/113
D731,103 S * 6/2015 Wilke D26/72

(Continued)

Primary Examiner — George D Kirschbaum

Assistant Examiner — Natasha Vujcic

(74) *Attorney, Agent, or Firm* — Lathrop & Gage LLP

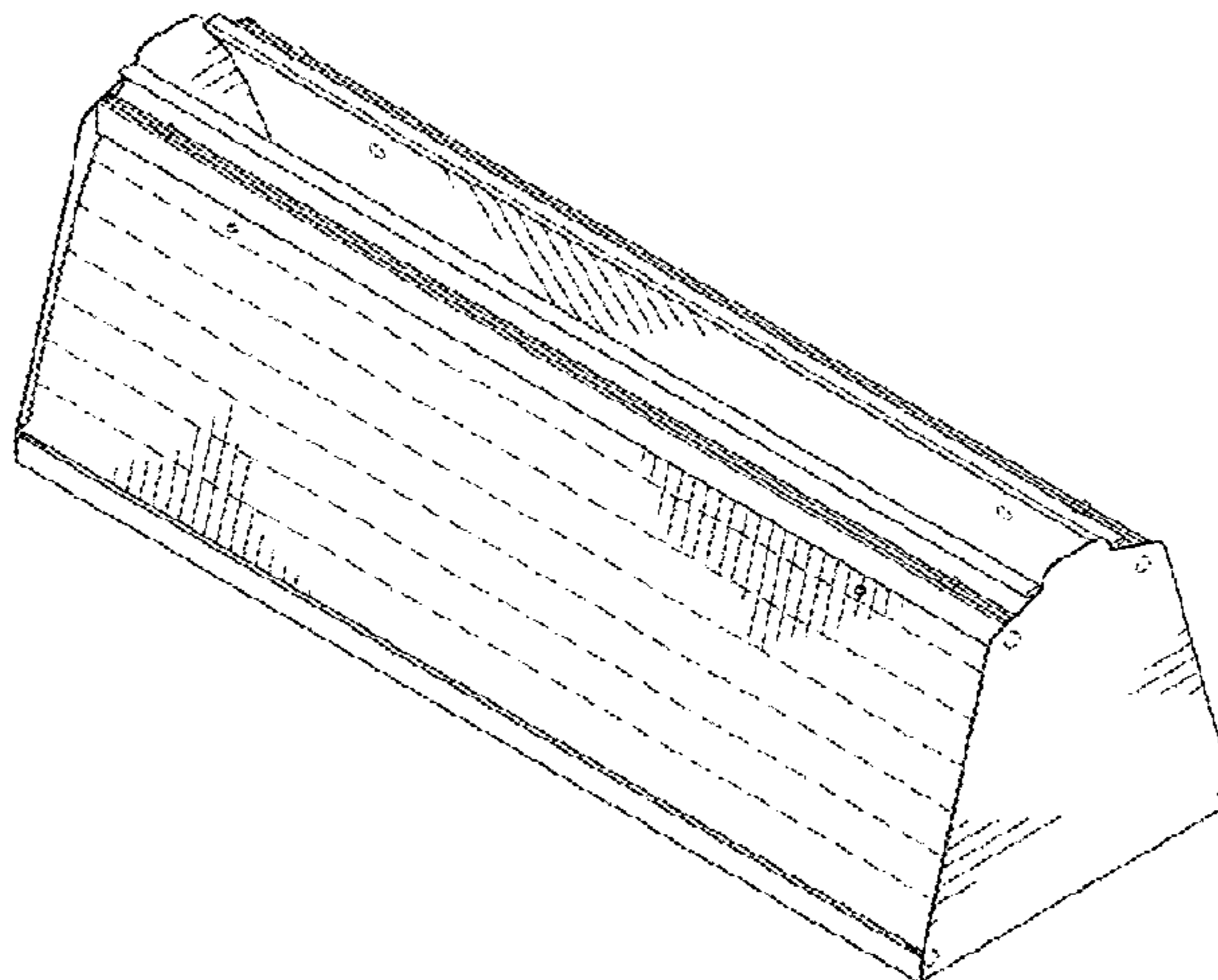
(57) **CLAIM**

The ornamental design for a glare shield for an LED light fixture, as shown and described.

DESCRIPTION

FIG. 1 is a top perspective view of a glare shield for the LED light fixture, showing the new design;
FIG. 2 is a bottom perspective view of the glare shield for the LED light fixture;
FIG. 3 is a top plan view of the glare shield for the LED light fixture;
FIG. 4 is a left side elevation of the glare shield for the LED light fixture;
FIG. 5 is a bottom plan view of the glare shield for the LED light fixture; and,
FIG. 6 is an end elevation of the glare shield for the LED light fixture, an opposing end elevation thereof being identical.
The broken lines in the drawings illustrate portions of the glare shield for an LED light fixture that form no part of the claimed design.

1 Claim, 4 Drawing Sheets



(56)

References Cited

U.S. PATENT DOCUMENTS

D747,029 S * 1/2016 Reynolds D26/118
D757,331 S * 5/2016 Sieczkowski D26/76
2006/0146531 A1 7/2006 Reo et al.
2009/0196037 A1 8/2009 Xiao et al.

* cited by examiner

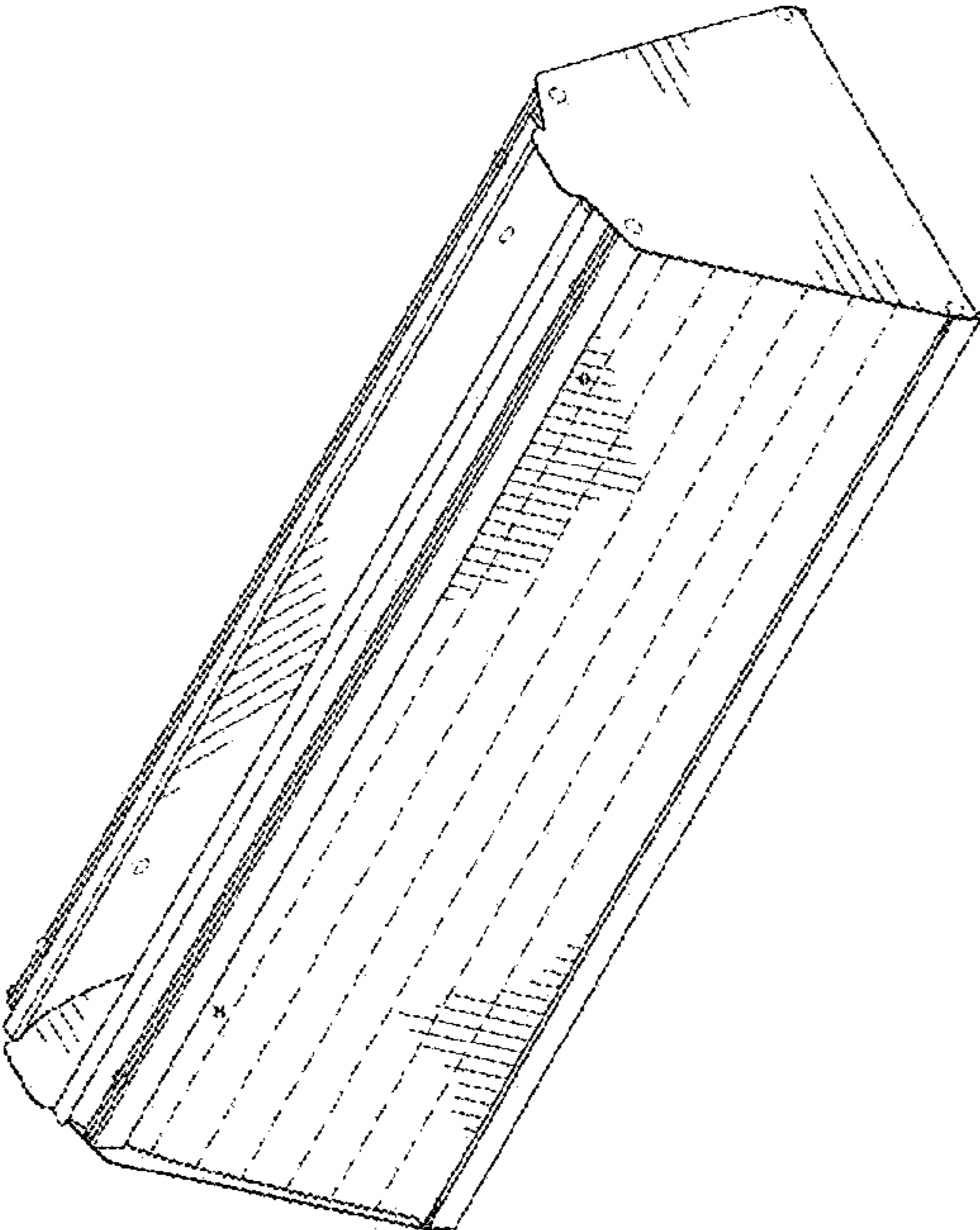


FIG. 1

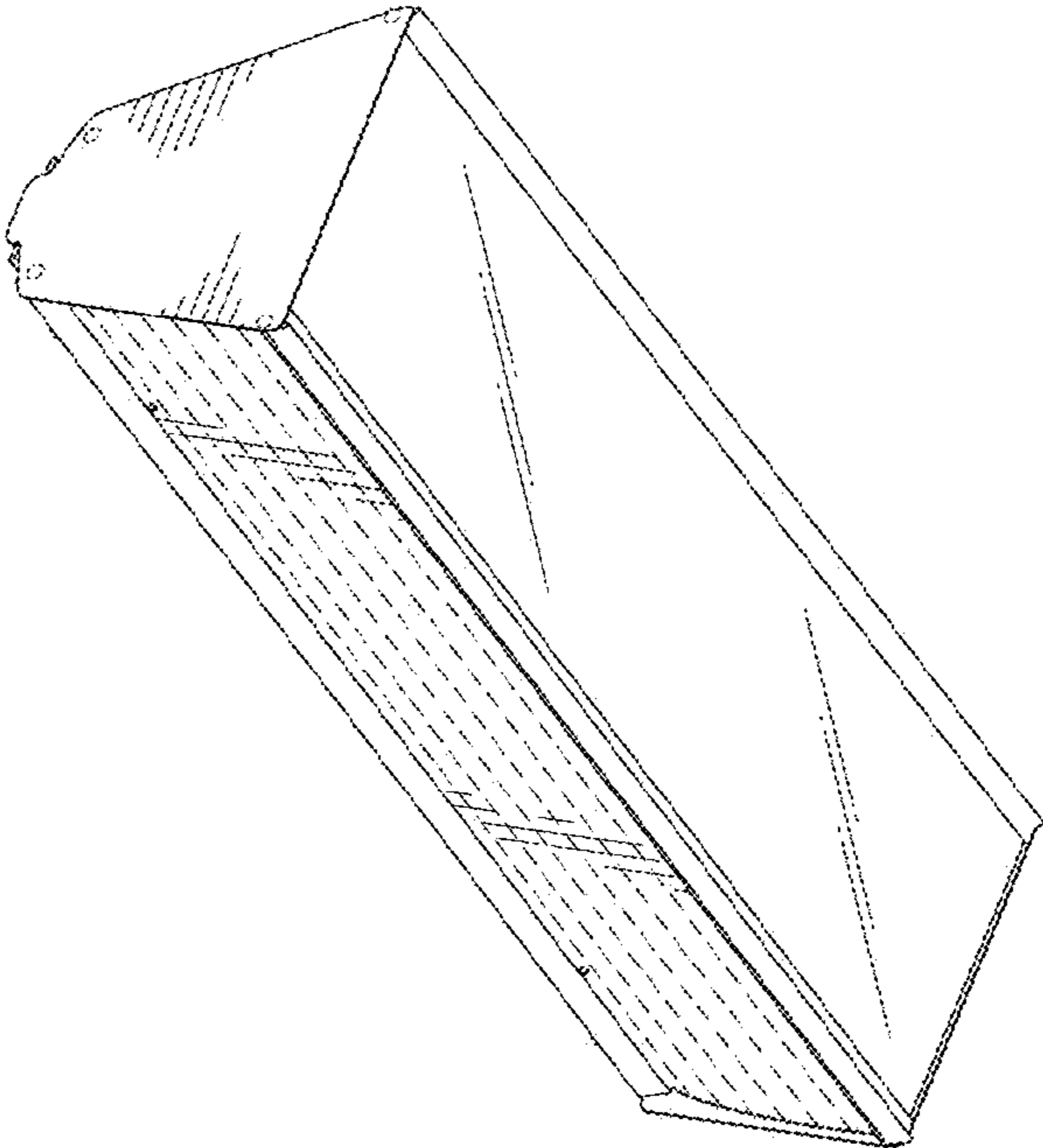


FIG. 2

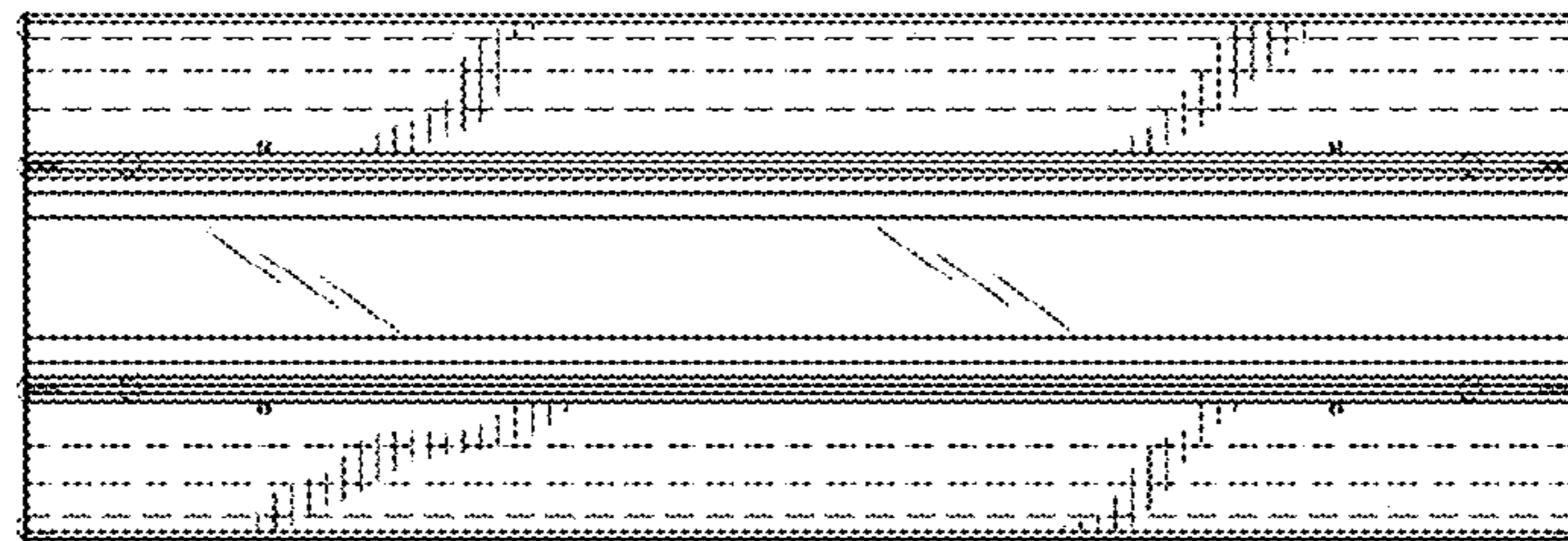


FIG. 3

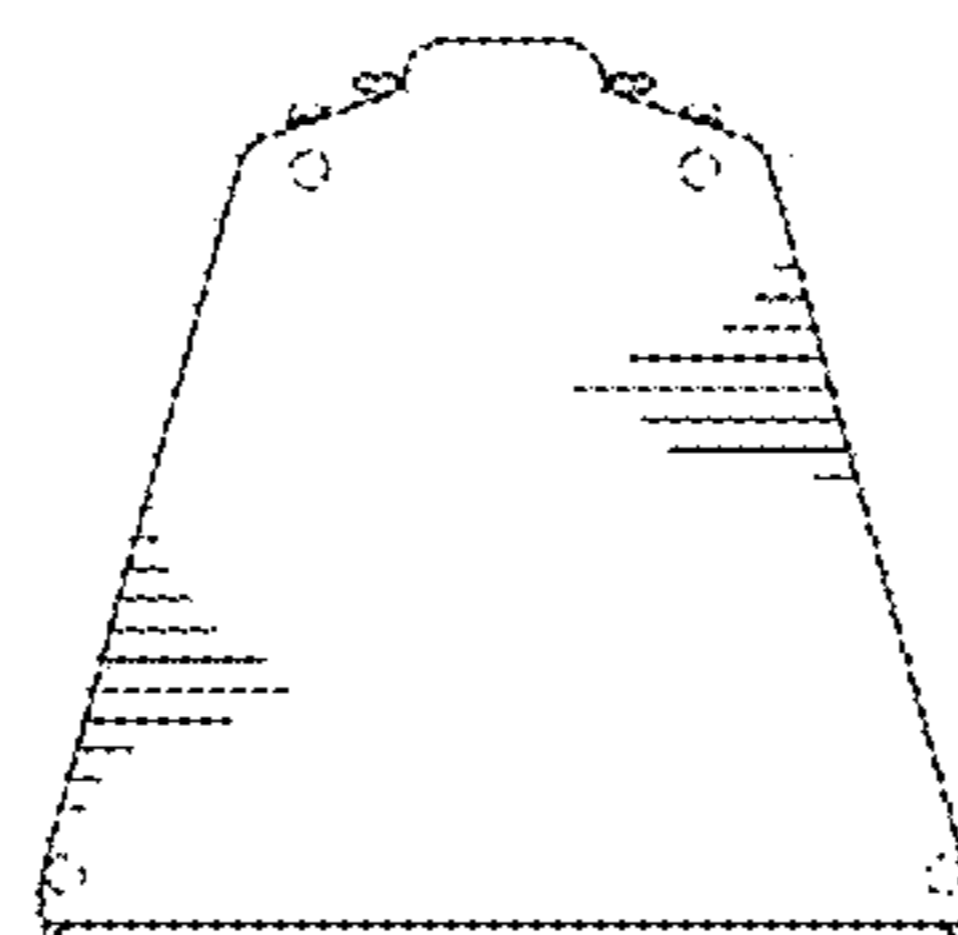


FIG. 4

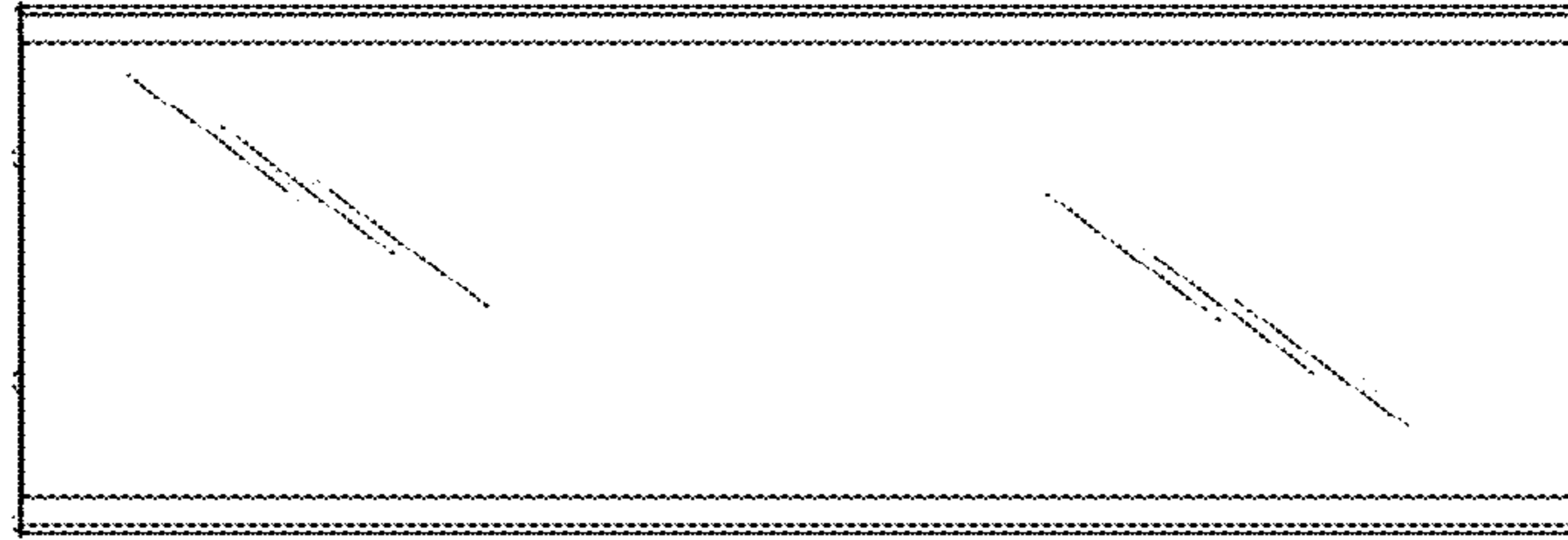


FIG. 5

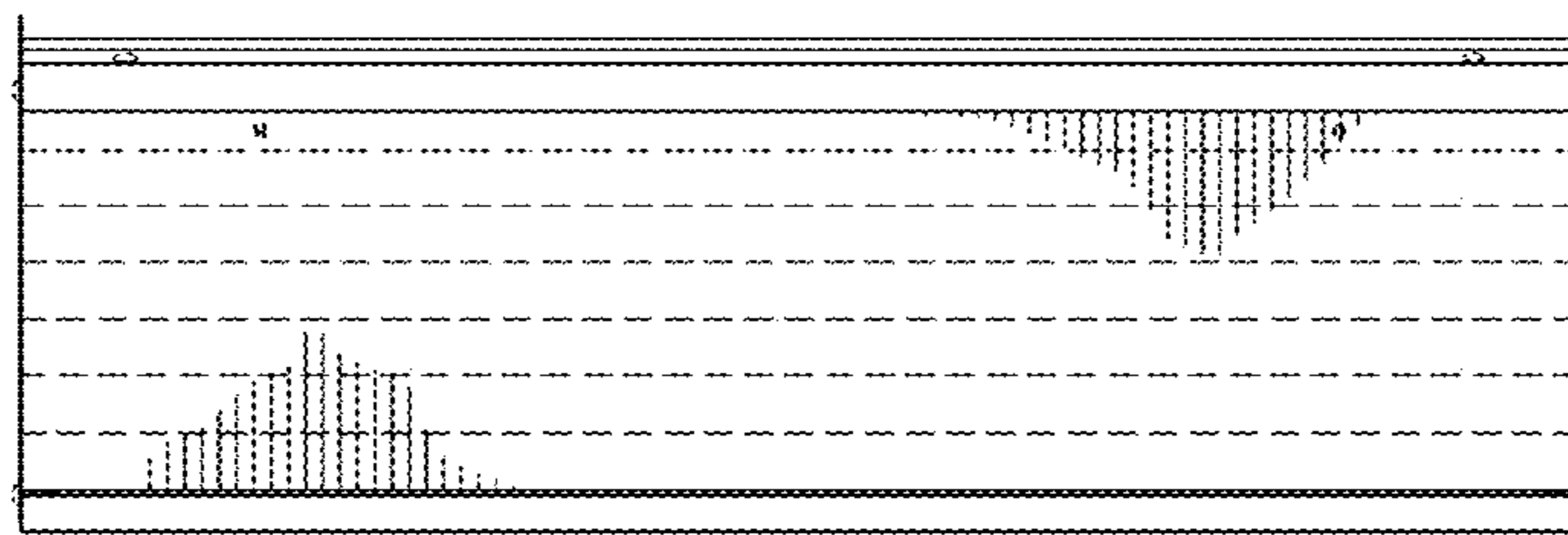


FIG. 6