



US00D774231S

(12) **United States Design Patent**
Recker et al.

(10) **Patent No.:** **US D774,231 S**

(45) **Date of Patent:** **** Dec. 13, 2016**

(54) **SPOTLIGHT**

(71) Applicants: **Michael V Recker**, Gaithersburg, MD
(US); **David B Levine**, Pepper Bike,
OH (US)

(72) Inventors: **Michael V Recker**, Gaithersburg, MD
(US); **David B Levine**, Pepper Bike,
OH (US)

(73) Assignee: **WIRELESS ENVIRONMENT, LLC**,
Solon, OH (US)

(**) Term: **15 Years**

(21) Appl. No.: **29/544,811**

(22) Filed: **Nov. 6, 2015**

(51) **LOC (10) Cl.** **26-03**

(52) **U.S. Cl.**
USPC **D26/63**

(58) **Field of Classification Search**
USPC D26/24, 51, 61, 63, 65, 72, 80
CPC F21S 8/04; F21S 8/00; F21V 21/00;
F21V 17/02; F21V 14/02; F21V
21/30; F21V 21/14; F21V 21/26; F21W
2131/10
See application file for complete search history.

(56) **References Cited**

U.S. PATENT DOCUMENTS

D264,253 S * 5/1982 Goldschmidt D26/63
5,649,761 A * 7/1997 Sandell F21V 17/02
362/276

D473,672 S * 4/2003 Lay D26/63
D628,329 S * 11/2010 Tuli D26/63
D713,579 S * 9/2014 Chen D26/63
D713,582 S * 9/2014 Liang D26/63
D742,053 S * 10/2015 Sussman D26/63
D745,201 S * 12/2015 Lee D26/63

* cited by examiner

Primary Examiner — Brian N Vinson

(74) *Attorney, Agent, or Firm* — Finnegan, Henderson,
Farabow, Garrett & Dunner LLP

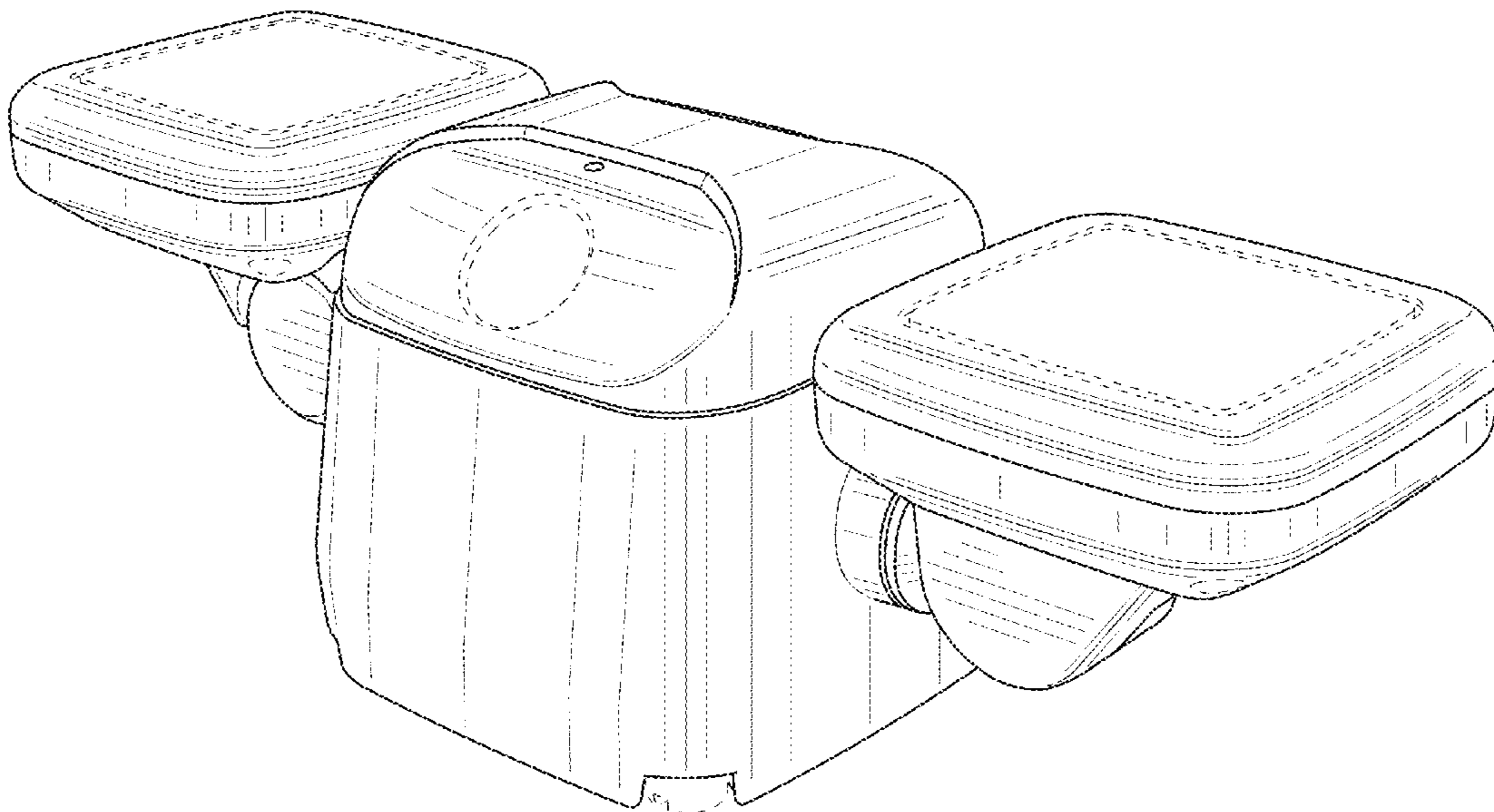
(57) **CLAIM**

The ornamental design for a spotlight, as shown and described.

DESCRIPTION

FIG. 1 is a front right top perspective view of a spotlight showing our new design;
FIG. 2 is a rear left bottom perspective view thereof;
FIG. 3 is a top plan view thereof;
FIG. 4 is a bottom view thereof;
FIG. 5 is a front elevation view thereof;
FIG. 6 is a rear view thereof;
FIG. 7 is a left side view thereof; and,
FIG. 8 is a right side view thereof.
The broken lines shown in the drawings illustrate portions of the spotlight that form no part of the claimed design.

1 Claim, 7 Drawing Sheets



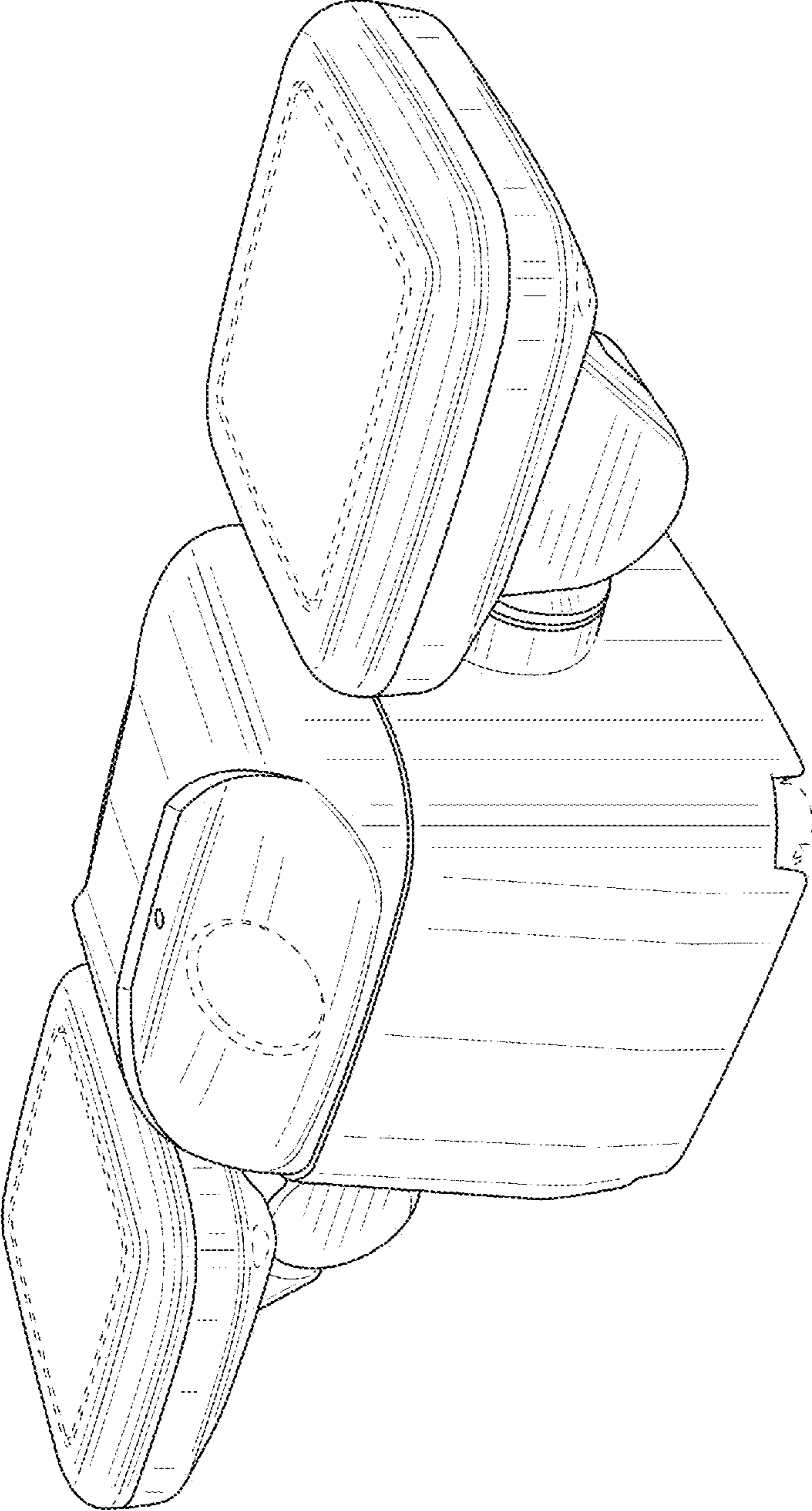


FIG. 1

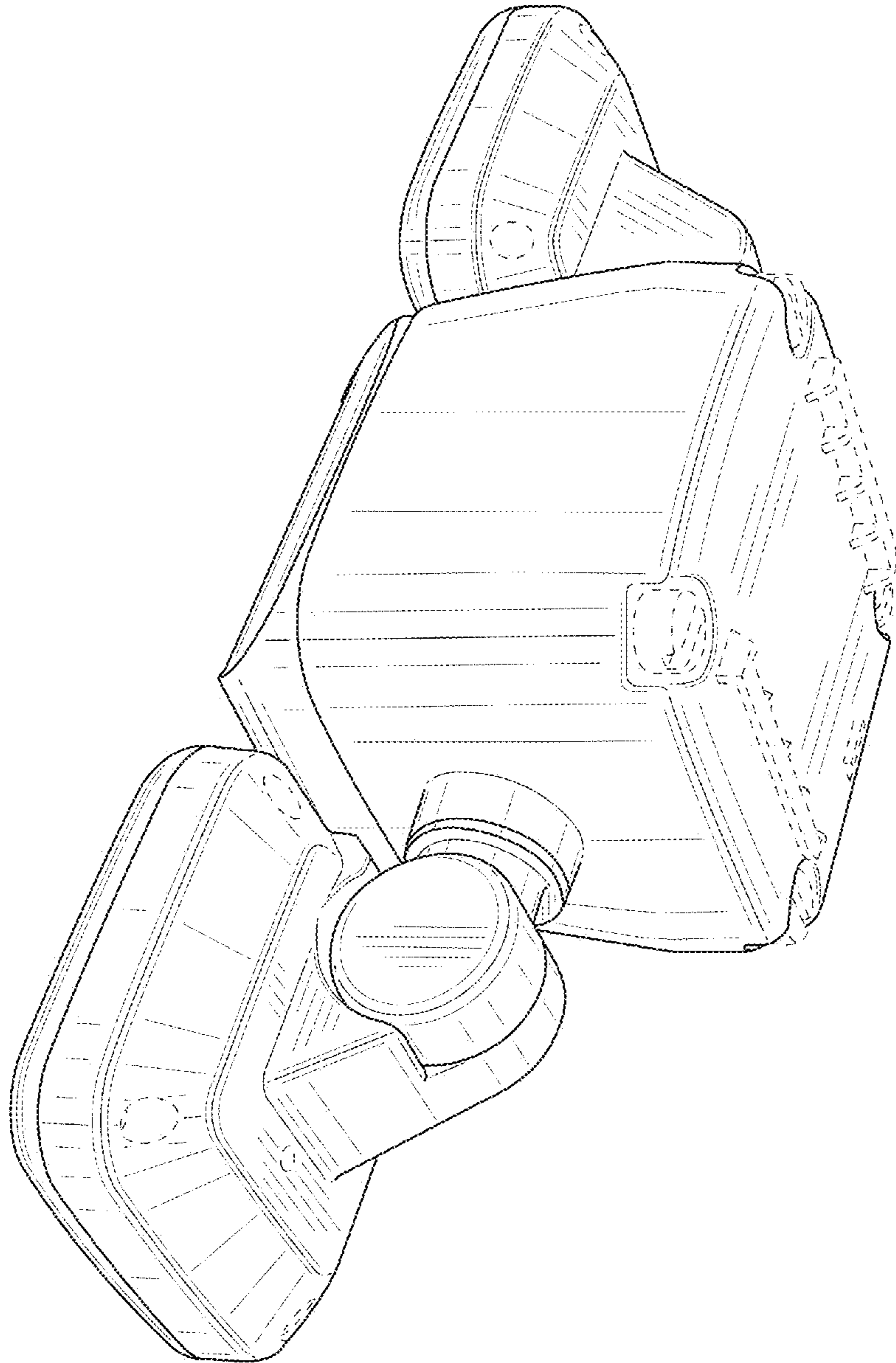


FIG. 2

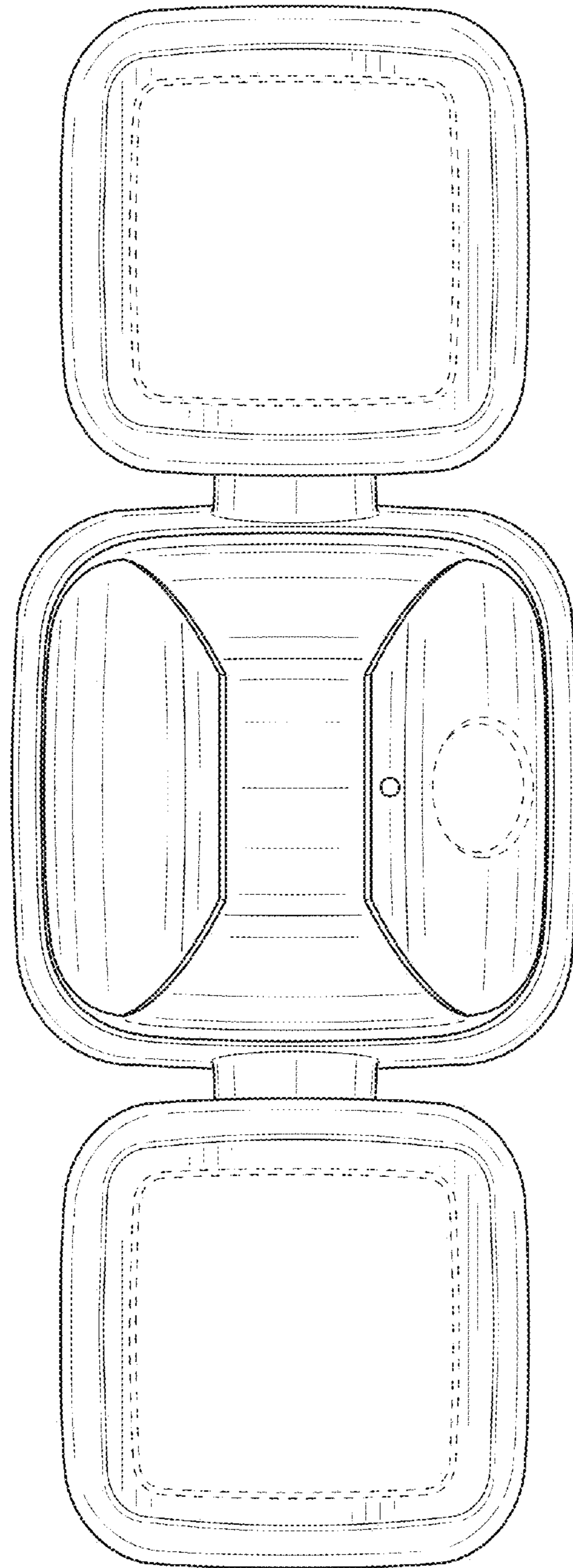


FIG. 3

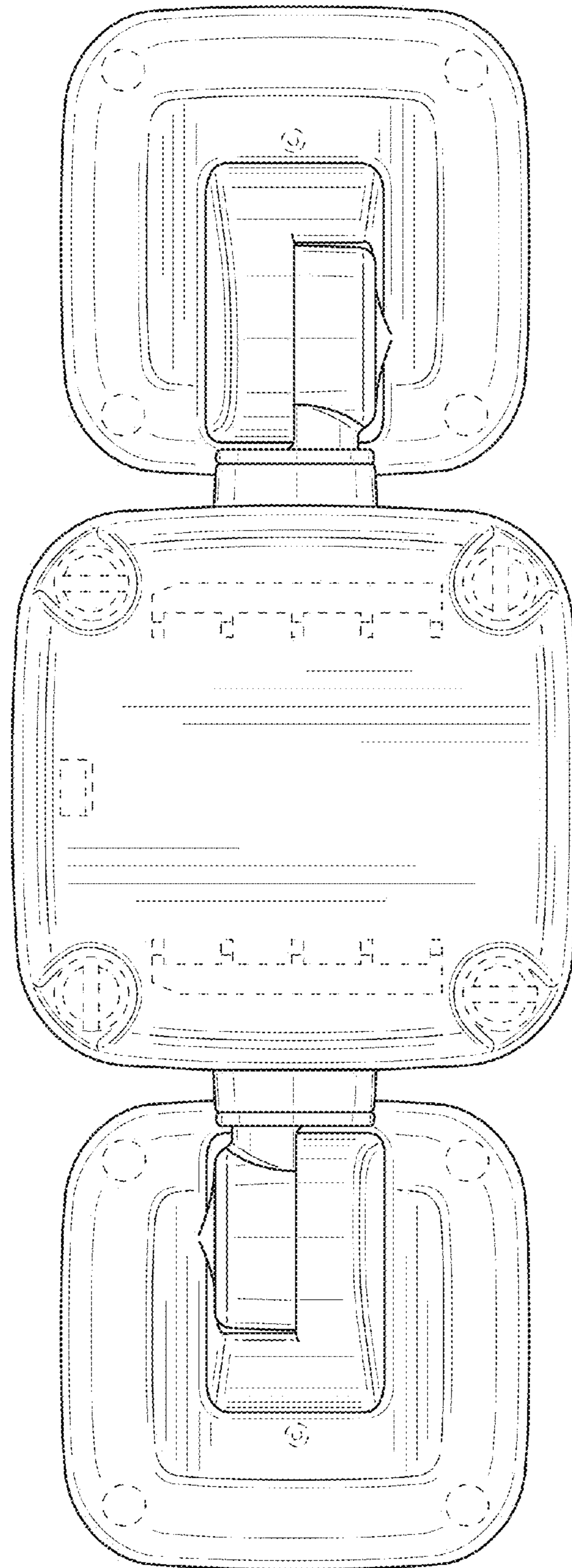


FIG. 4

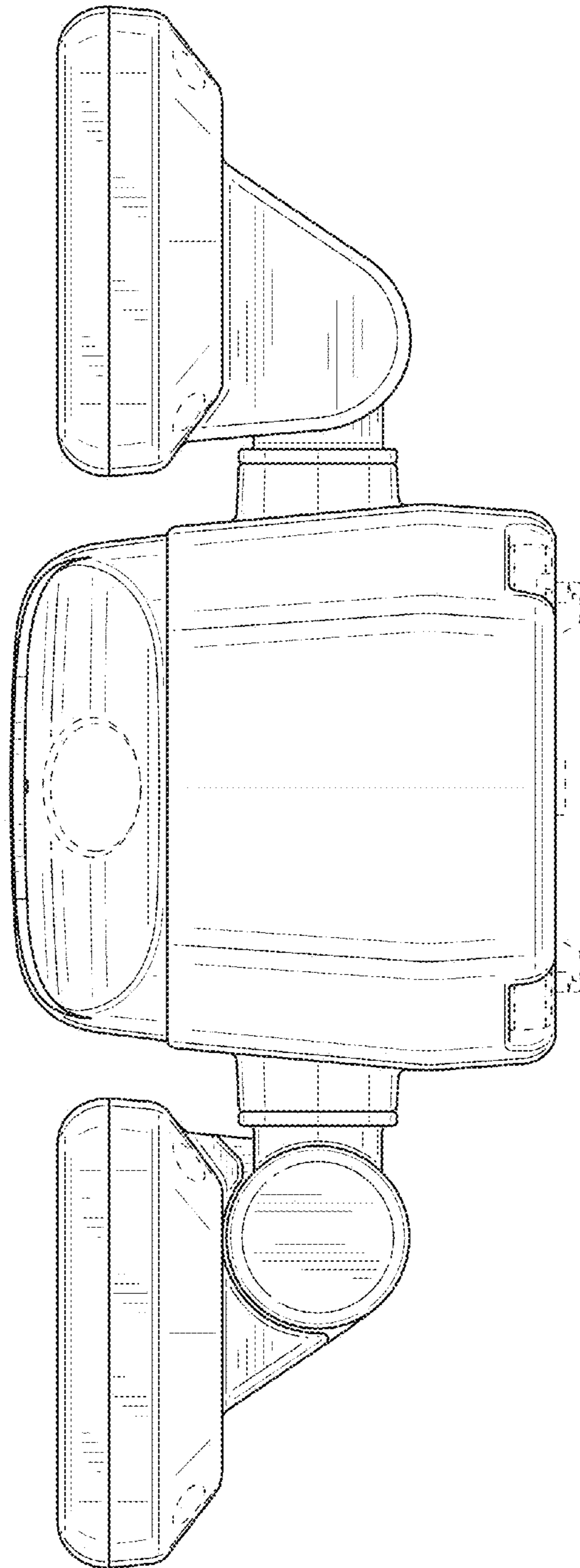


FIG. 5

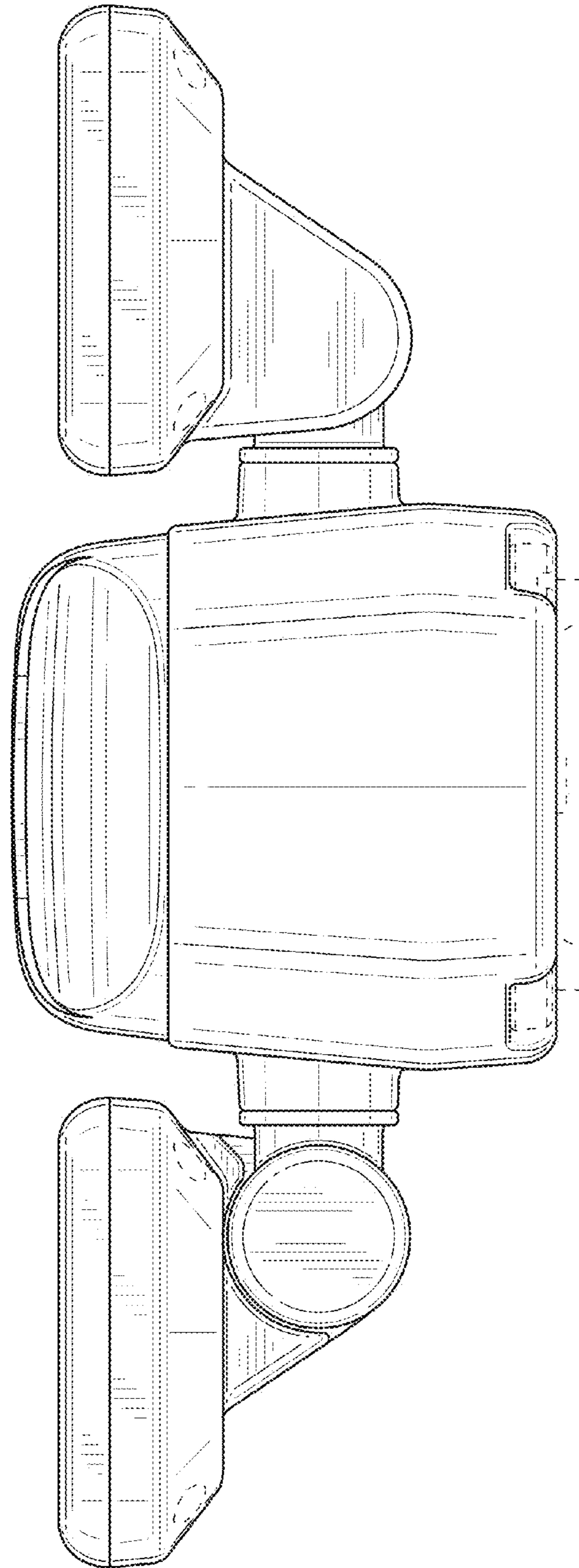


FIG. 6

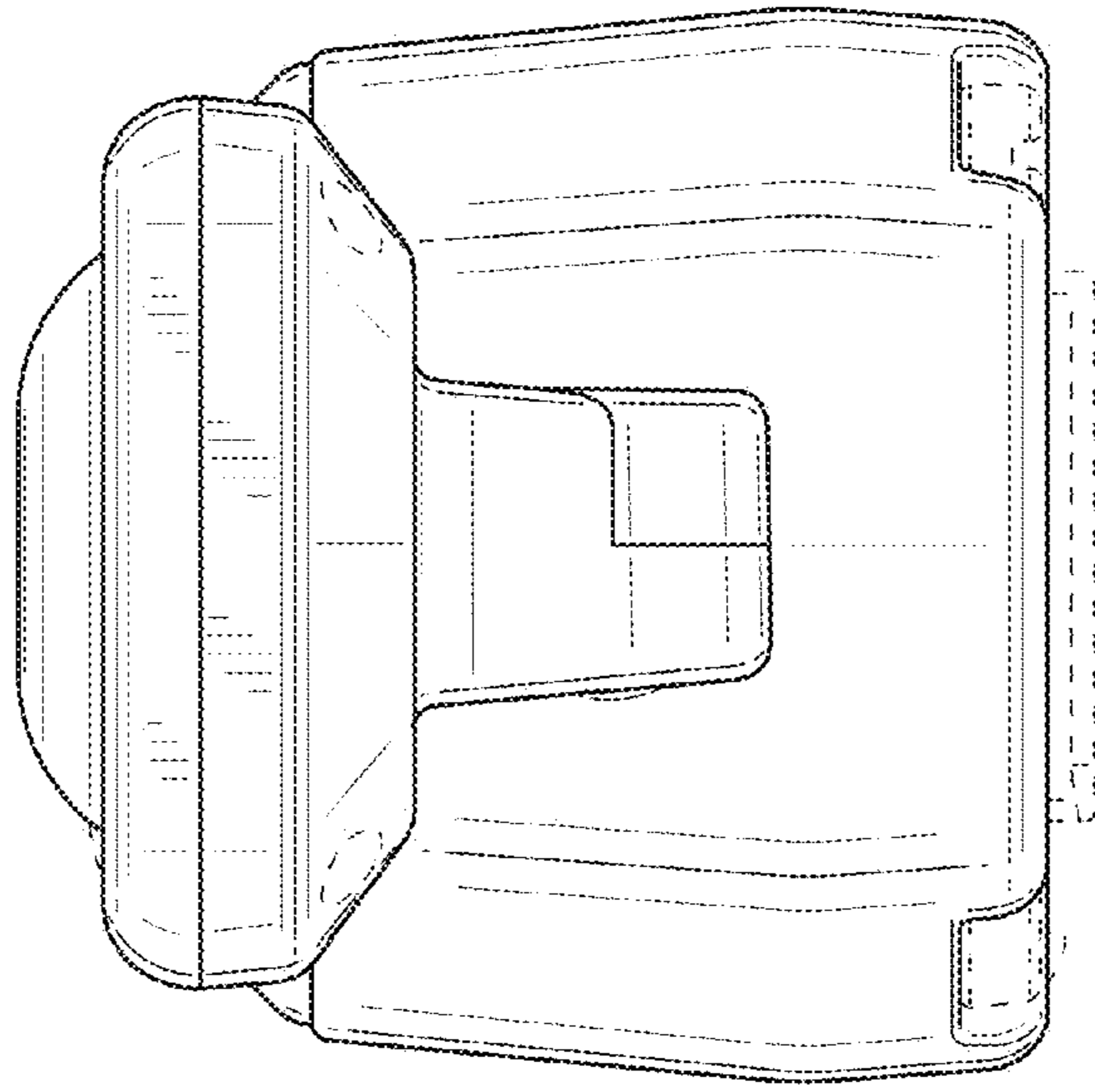


FIG. 8

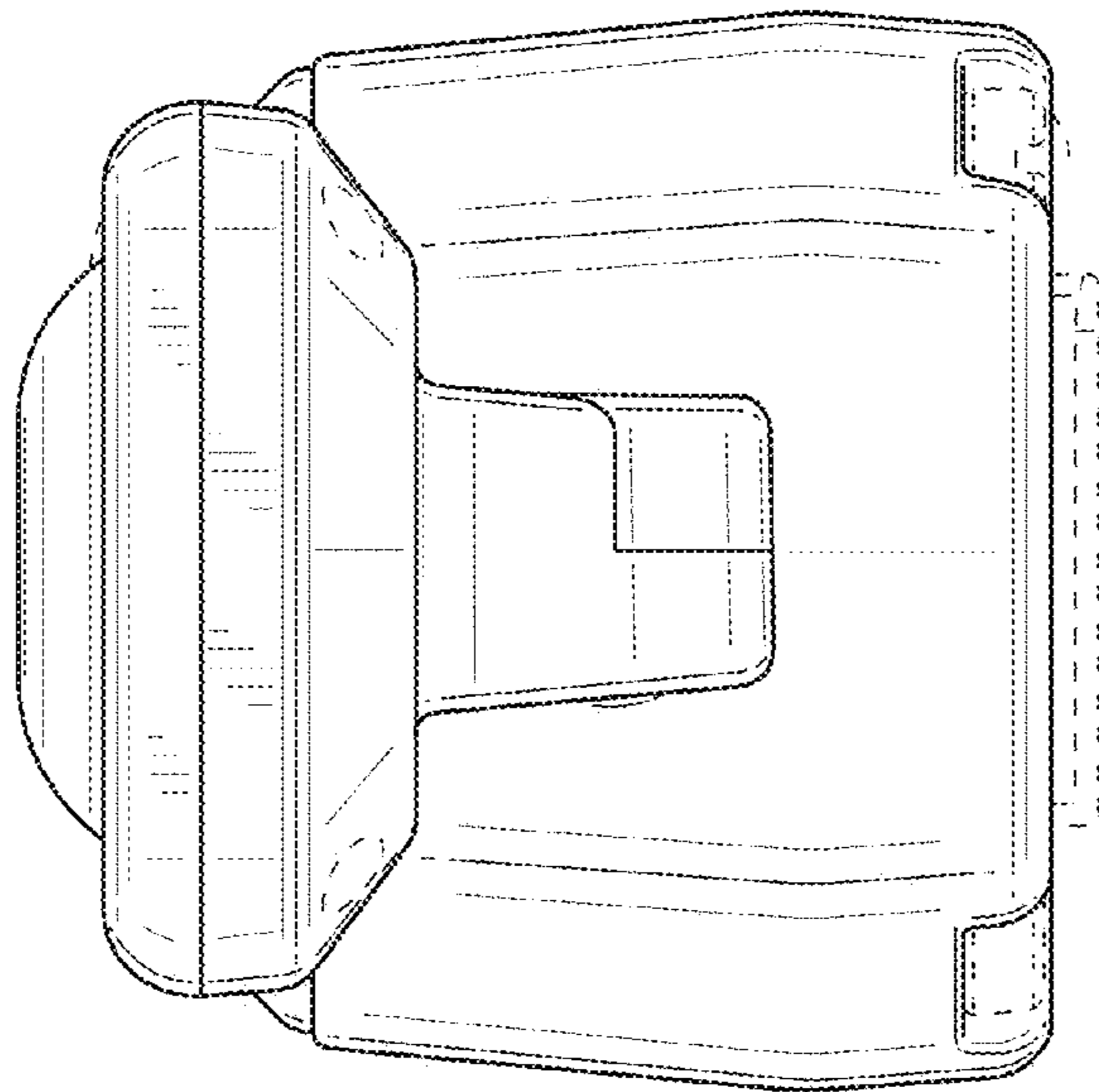


FIG. 7

UNITED STATES PATENT AND TRADEMARK OFFICE
CERTIFICATE OF CORRECTION

PATENT NO. : D774,231 S
APPLICATION NO. : 29/544811
DATED : December 13, 2016
INVENTOR(S) : Michael V Recker et al.

Page 1 of 1

It is certified that error appears in the above-identified patent and that said Letters Patent is hereby corrected as shown below:

On the Title Page

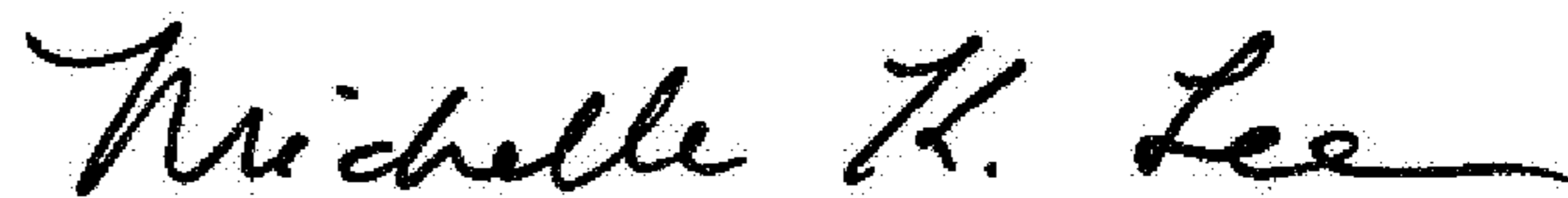
Item (71), in the Applicants, Lines 1-3:

“**Michael V Recker**, Gaithersburg, MD (US); **David B Levine**, Pepper Bike, OH (US)” should read
--**Michael V Recker**, Gaithersburg, MD (US); **David B Levine**, Pepper Pike, OH (US)--.

Item (72), in the Inventors, Lines 1-3:

“**Michael V Recker**, Gaithersburg, MD (US); **David B Levine**, Pepper Bike, OH (US)” should read
--**Michael V Recker**, Gaithersburg, MD (US); **David B Levine**, Pepper Pike, OH (US)--.

Signed and Sealed this
Twenty-fifth Day of April, 2017



Michelle K. Lee
Director of the United States Patent and Trademark Office