



US00D774230S

(12) **United States Design Patent** (10) **Patent No.:** **US D774,230 S**  
**Prieto et al.** (45) **Date of Patent:** **\*\* Dec. 13, 2016**

(54) **FLASHLIGHT**

(71) Applicant: **Alliance Sports Group, L.P.**, Grand Prairie, TX (US)

(72) Inventors: **Jimmy Prieto**, Fort Worth, TX (US); **Steven Cramer**, Redmond, WA (US)

(73) Assignee: **Alliance Sports Group, L.P.**, Grand Prairie, TX (US)

(\*\*) Term: **14 Years**

(21) Appl. No.: **29/517,311**

(22) Filed: **Feb. 11, 2015**

(51) **LOC (10) Cl.** ..... **26-02**

(52) **U.S. Cl.**  
USPC ..... **D26/49**

(58) **Field of Classification Search**  
USPC ..... D26/37, 38, 46, 49, 51; 362/157, 158, 362/183, 184, 194–196, 202–208, 253  
CPC ..... F21L 2003/00; F21L 4/00; F21L 4/005; F21L 4/02; F21L 4/025; F21L 4/027; F21L 4/04; F21L 4/08; F21L 2005/00; F21L 7/00; F21L 11/00; F21L 13/00; F21L 13/04; F21L 13/08; F21L 14/02; F21L 17/00; F21L 19/00; F21L 25/00

See application file for complete search history.

(56) **References Cited**

**U.S. PATENT DOCUMENTS**

D576,757 S *	9/2008	Hesse	.....	D26/49
D583,087 S *	12/2008	Opolka	.....	D26/49
D639,478 S *	6/2011	Nguyen	.....	D26/49
D644,365 S *	8/2011	Yuen	.....	D26/49
D644,775 S *	9/2011	Nguyen	.....	D26/49
D659,270 S *	5/2012	Nguyen	.....	D26/49
D706,476 S *	6/2014	Lee	.....	D26/49
D709,234 S *	7/2014	Inskeep	.....	D26/49

D710,526 S *	8/2014	Lee	.....	D26/49
D716,984 S *	11/2014	Inskeep	.....	D26/49
D717,480 S *	11/2014	Hsu	.....	D26/49
D719,694 S *	12/2014	Nawaz	.....	D22/117
D732,721 S *	6/2015	Popper	.....	D26/49
D738,021 S *	9/2015	Wang	.....	D26/41
D745,200 S *	12/2015	Inskeep	.....	D26/49
D745,732 S *	12/2015	Inskeep	.....	D26/49

(Continued)

*Primary Examiner* — Ian Simmons

*Assistant Examiner* — Carissa C Fitts

(74) *Attorney, Agent, or Firm* — Thorpe North & Western LLP

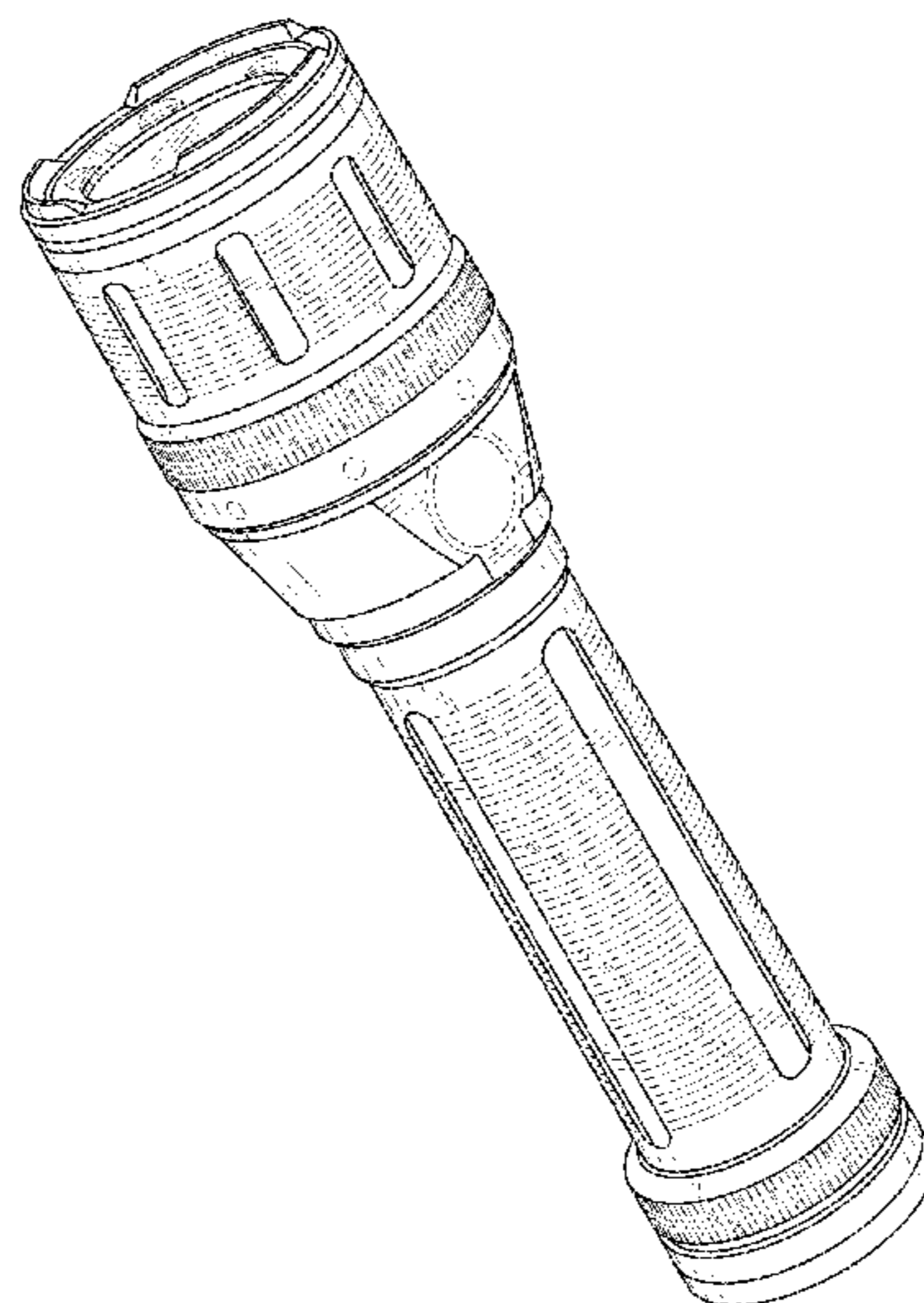
(57) **CLAIM**

The ornamental design for the flashlight, as shown and described.

**DESCRIPTION**

FIG. 1 is an elevated, perspective view of the flashlight in accordance with the invention;  
 FIG. 2 is a side view thereof;  
 FIG. 3 is an opposite side view of FIG. 2;  
 FIG. 4 is another side view of the invention as shown in FIG. 1;  
 FIG. 5 is an opposite side view of FIG. 4;  
 FIG. 6 is a top view of the invention;  
 FIG. 7 is a bottom view of the invention;  
 FIG. 8 is an elevated, perspective view of the flashlight of FIG. 1 in an extended position;  
 FIG. 9 is a side view of FIG. 8;  
 FIG. 10 is a an opposite side view of FIG. 9;  
 FIG. 11. is another side view of the invention shown in FIG. 9  
 FIG. 12 is an opposite view of FIG. 11;  
 FIG. 13 is a top view of the invention; and,  
 FIG. 14 is a bottom view of the invention.  
 The broken line showing represents unclaimed portions of the article and forms no part of the claimed design.

**1 Claim, 8 Drawing Sheets**



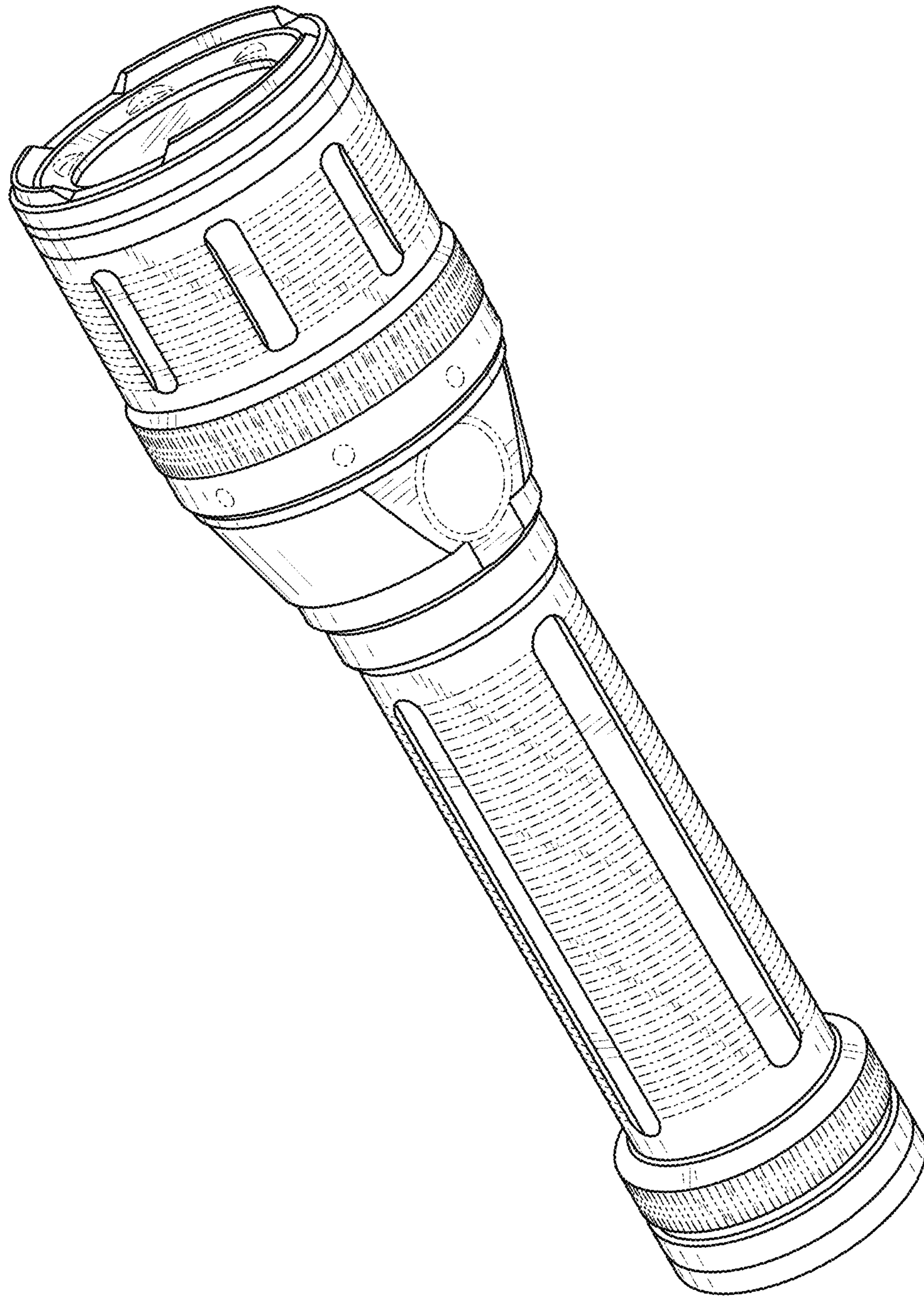
(56)

**References Cited**

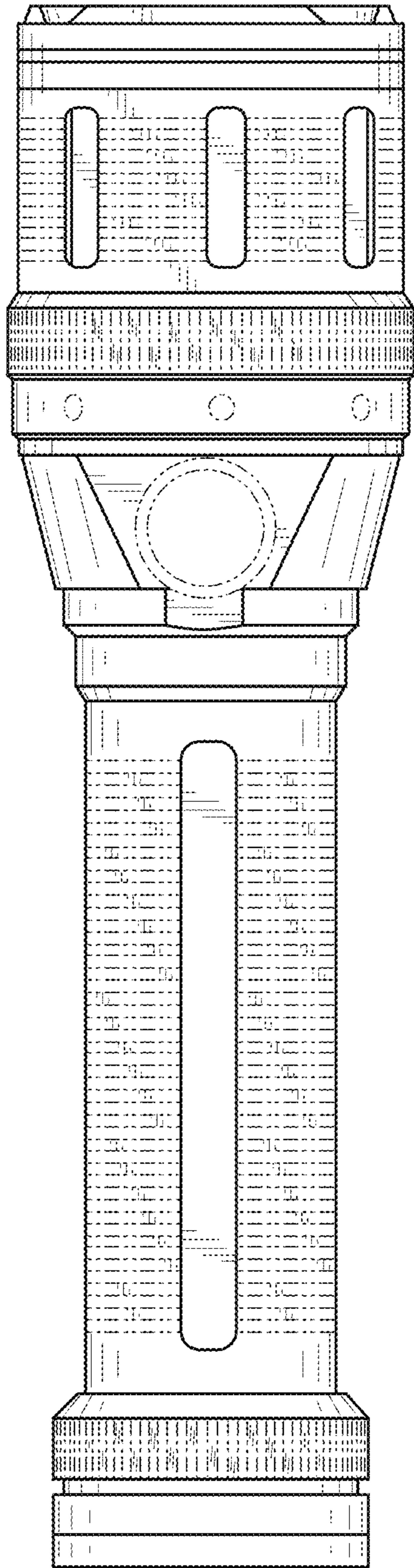
U.S. PATENT DOCUMENTS

D745,987 S \* 12/2015 Nawaz ..... D22/117  
D747,024 S \* 1/2016 Windom ..... D26/49

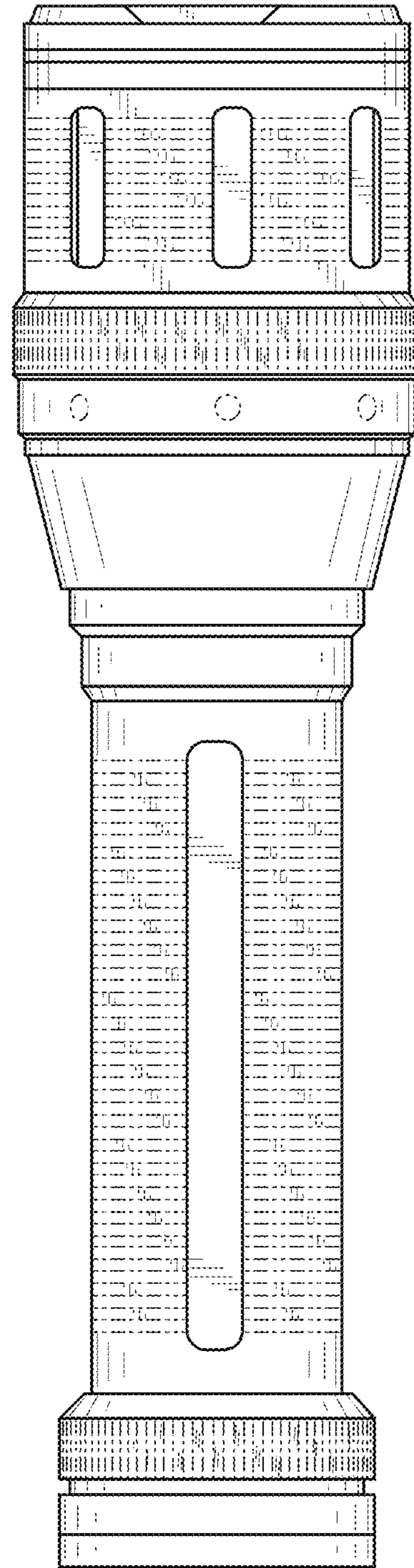
\* cited by examiner



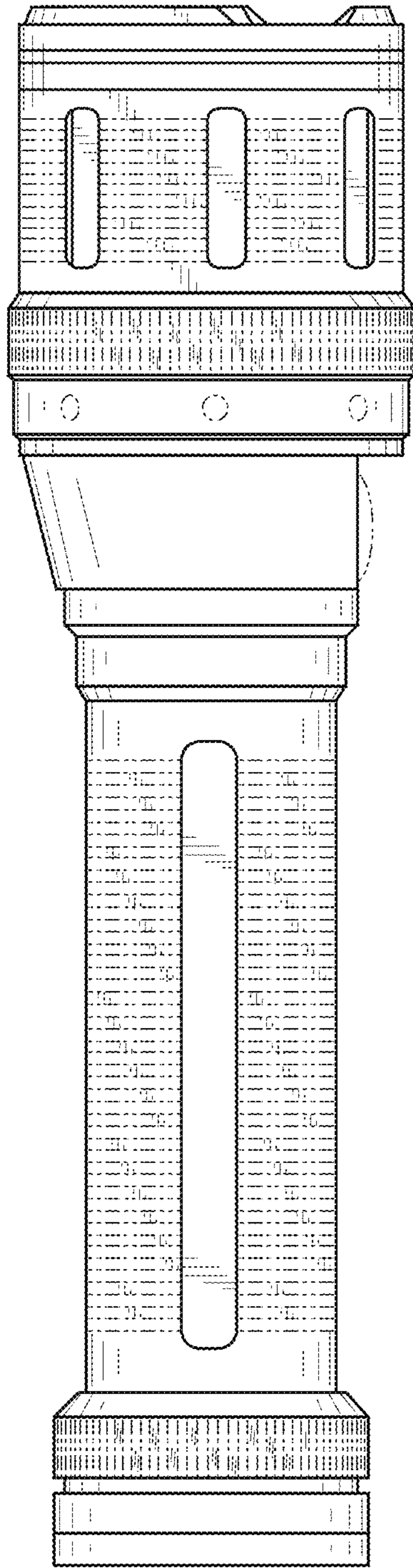
**FIG. 1**



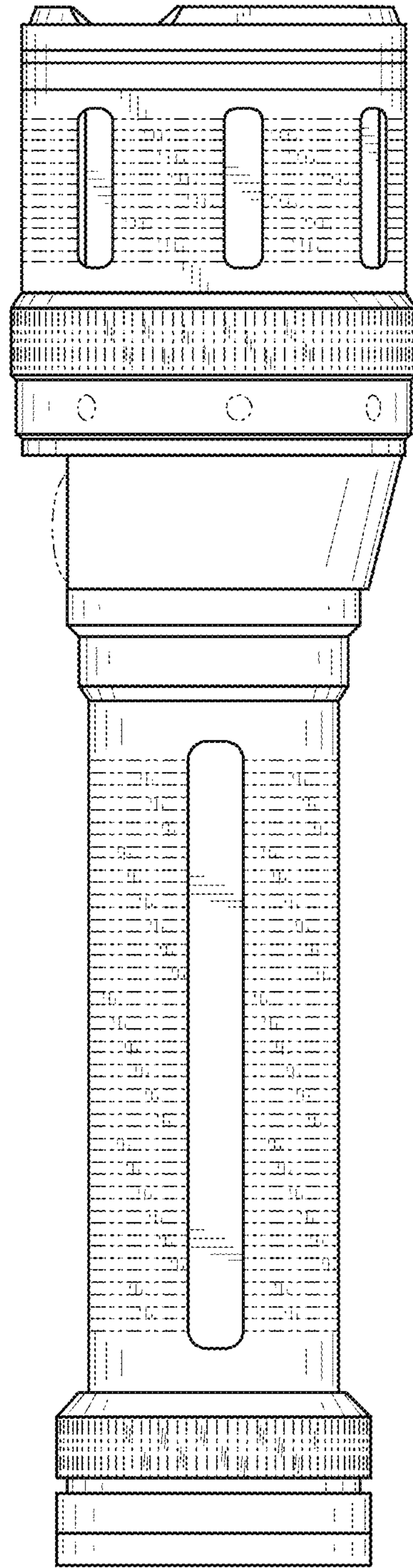
**FIG. 2**



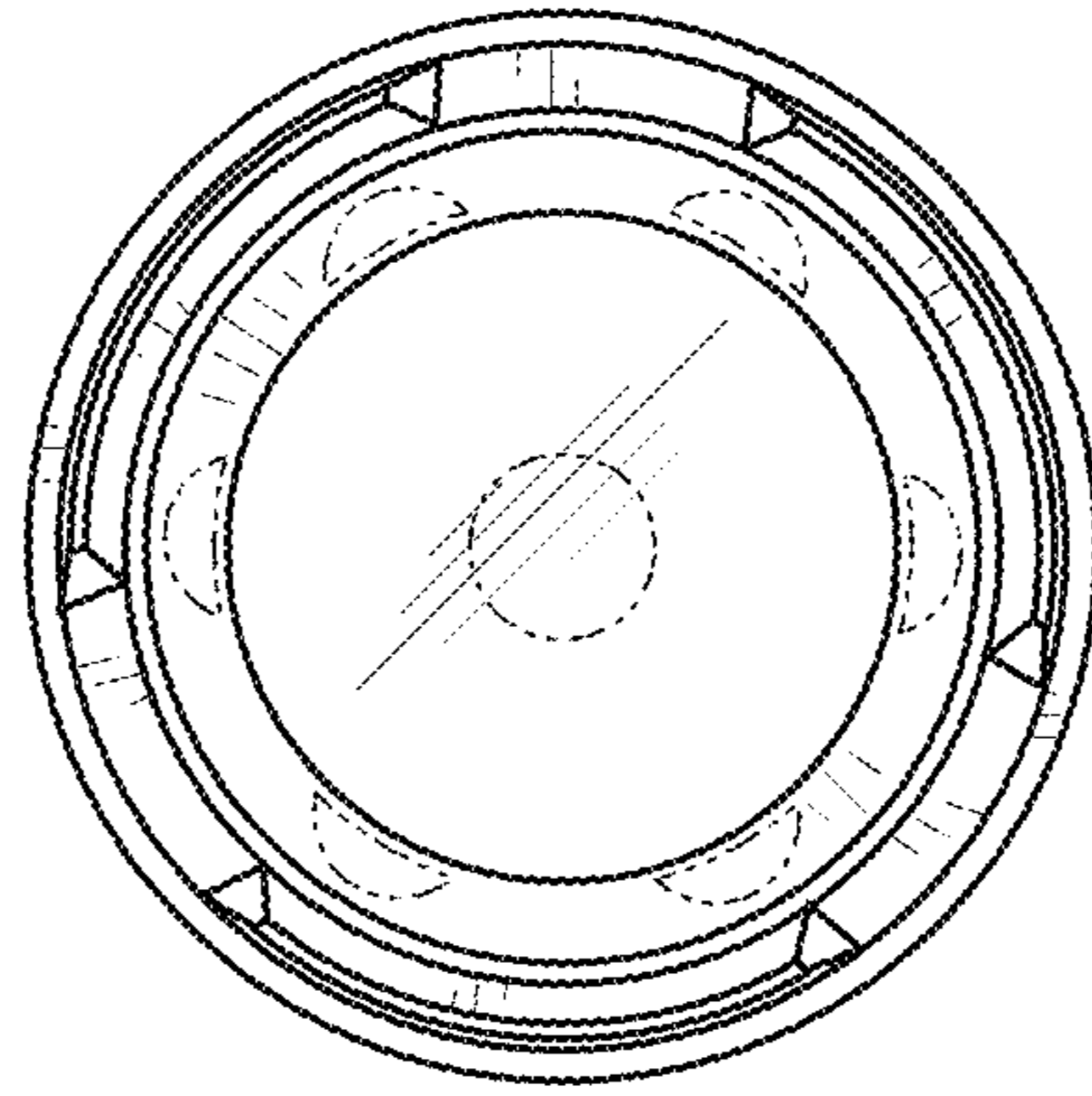
**FIG. 3**



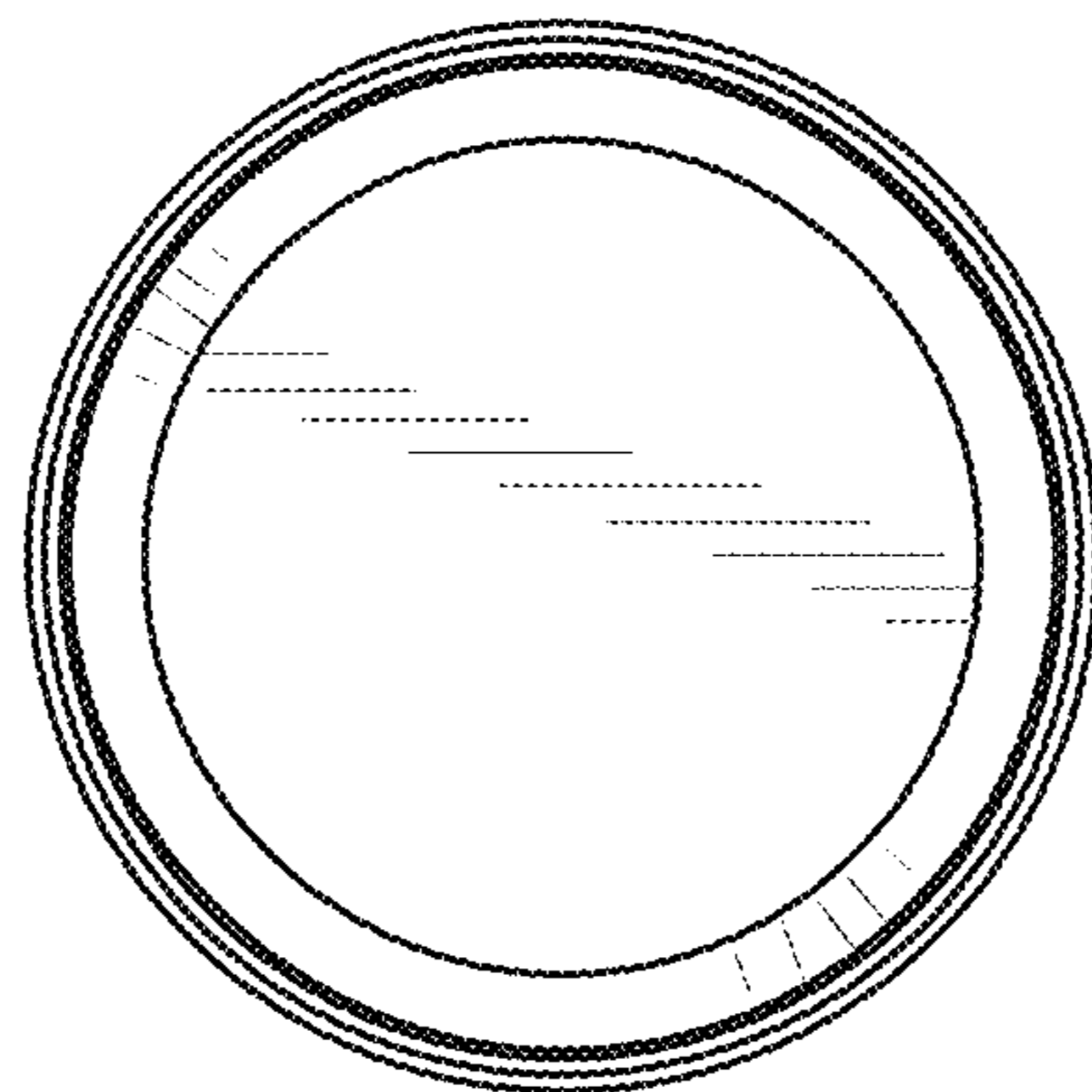
**FIG. 4**



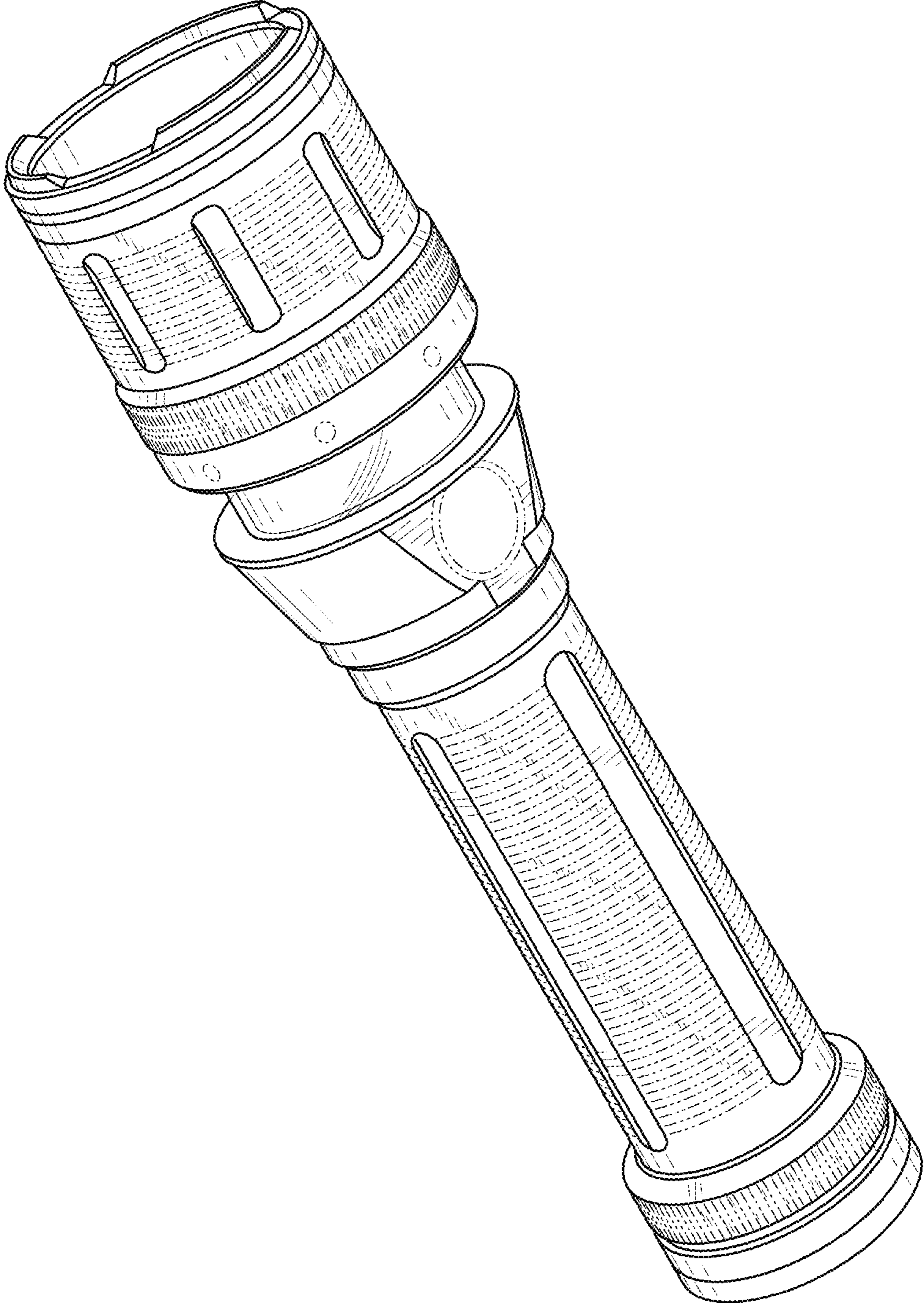
**FIG. 5**



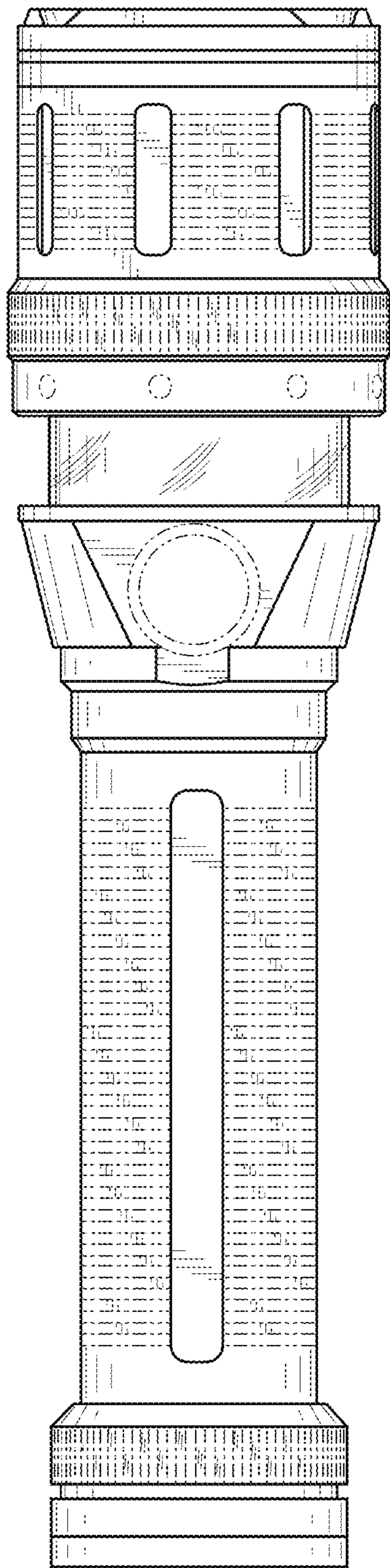
**FIG. 6**



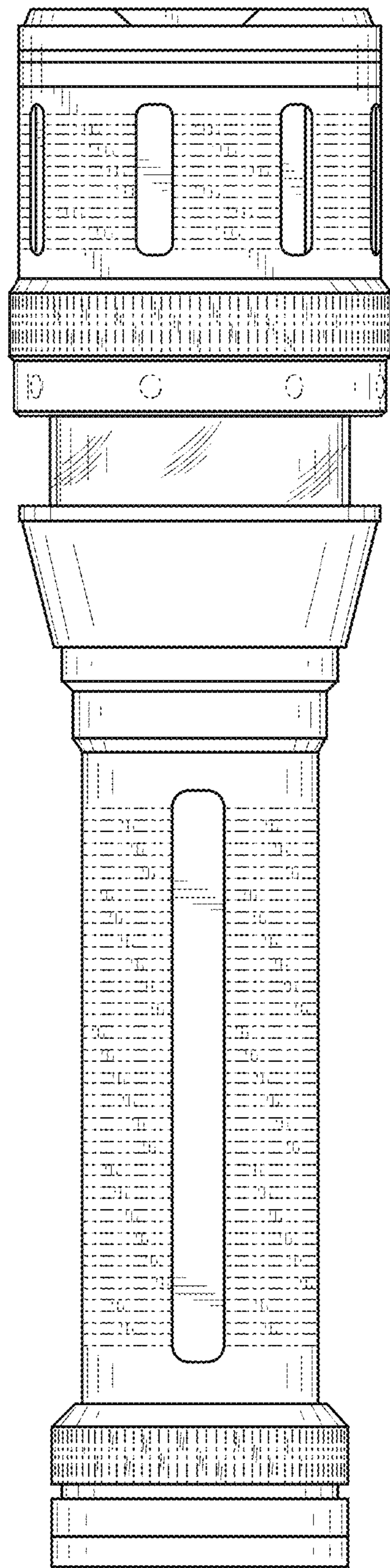
**FIG. 7**



**FIG. 8**

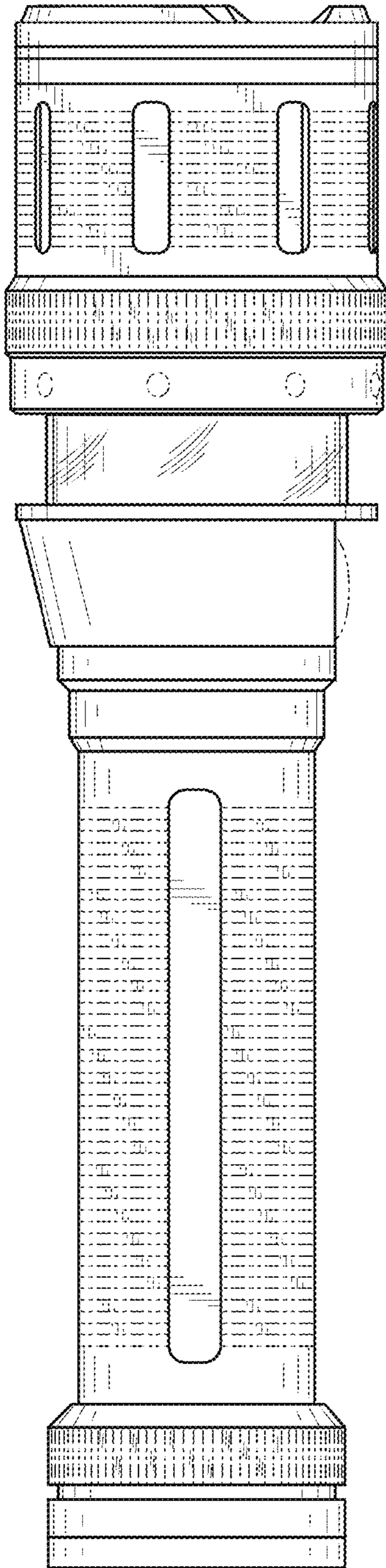


**FIG. 9**

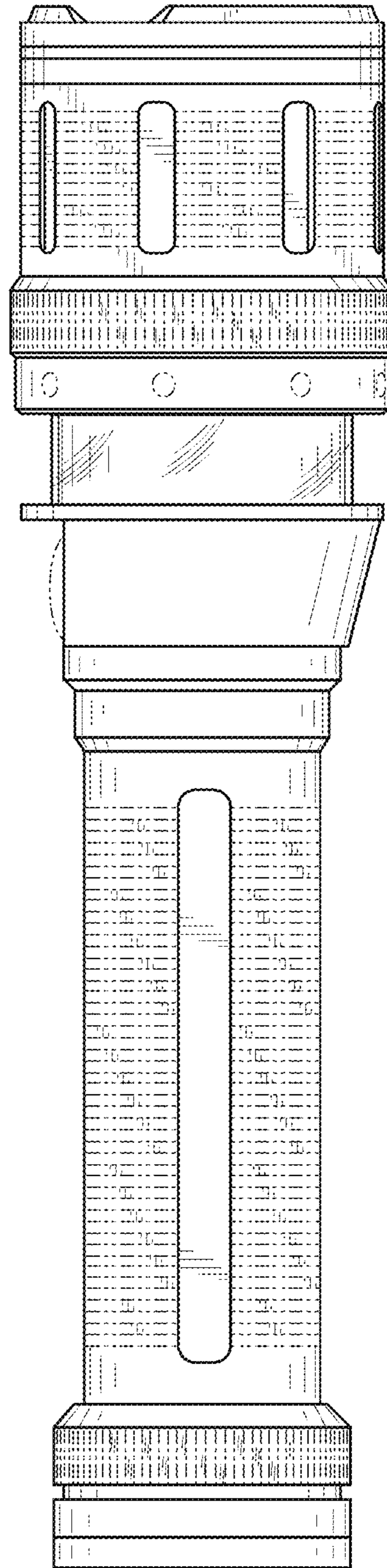


**FIG. 10**

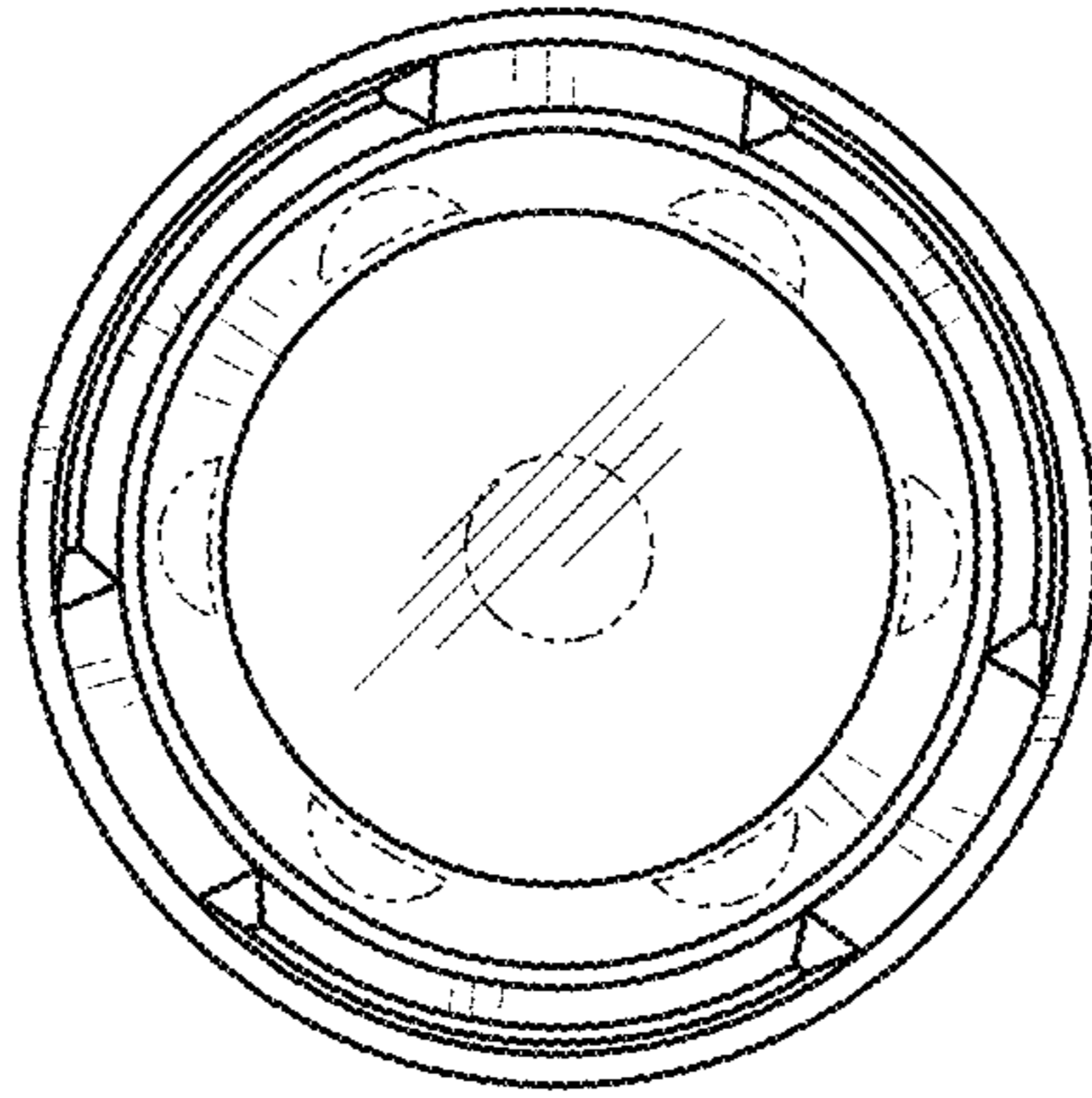




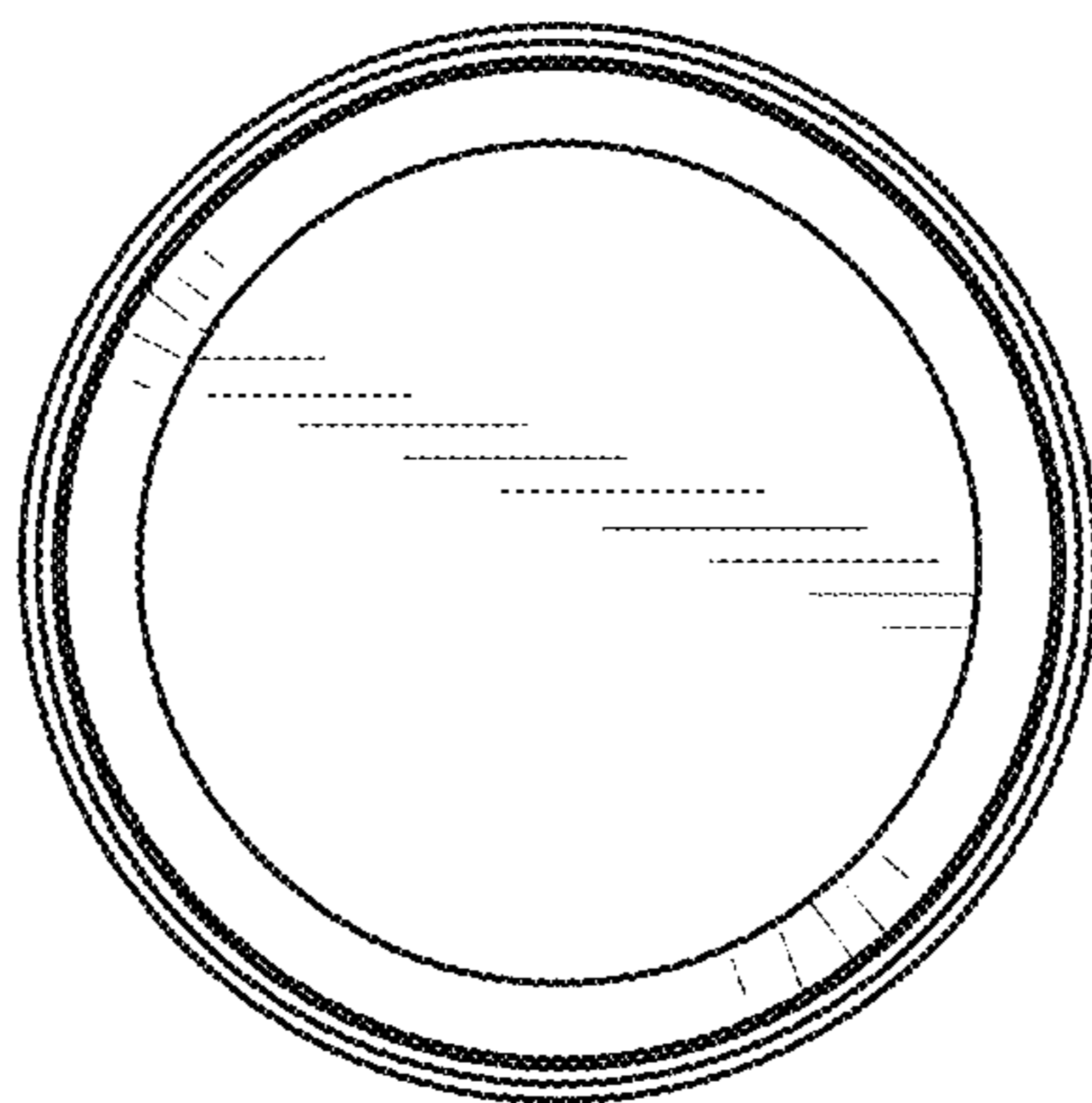
**FIG. 11**



**FIG. 12**



**FIG. 13**



**FIG. 14**