



US00D774229S

(12) **United States Design Patent** (10) **Patent No.:** **US D774,229 S**
Prieto et al. (45) **Date of Patent:** **** Dec. 13, 2016**

(54) **FLASHLIGHT**
(71) Applicant: **Alliance Sports Group, L.P.**, Grand Prairie, TX (US)
(72) Inventors: **Jimmy Prieto**, Fort Worth, TX (US); **Steven Cramer**, Redmond, WA (US)
(73) Assignee: **Alliance Sports Group, L.P.**, Grand Prairie, TX (US)
(**) Term: **14 Years**
(21) Appl. No.: **29/517,308**
(22) Filed: **Feb. 11, 2015**
(51) **LOC (10) Cl.** **26-02**
(52) **U.S. Cl.**
USPC **D26/49**
(58) **Field of Classification Search**
USPC D26/37, 38, 46, 49, 51; 362/157, 158, 362/183, 184, 194-196, 202-208, 253
CPC F21L 2003/00; F21L 4/00; F21L 4/005; F21L 4/02; F21L 4/025; F21L 4/027; F21L 4/04; F21L 4/08; F21L 2005/00; F21L 7/00; F21L 11/00; F21L 13/00; F21L 13/04; F21L 13/08; F21L 14/02; F21L 17/00; F21L 19/00; F21L 25/00
See application file for complete search history.

D698,961 S * 2/2014 Dalton D26/49
D709,231 S * 7/2014 Nguyen D26/49
D716,984 S * 11/2014 Inskeep D26/49
D717,480 S * 11/2014 Hsu D26/49
D719,694 S * 12/2014 Nawaz D22/117
D738,021 S * 9/2015 Wang D26/41
D745,200 S * 12/2015 Inskeep D26/49
D745,987 S * 12/2015 Nawaz D22/117
D747,024 S * 1/2016 Windom D26/49

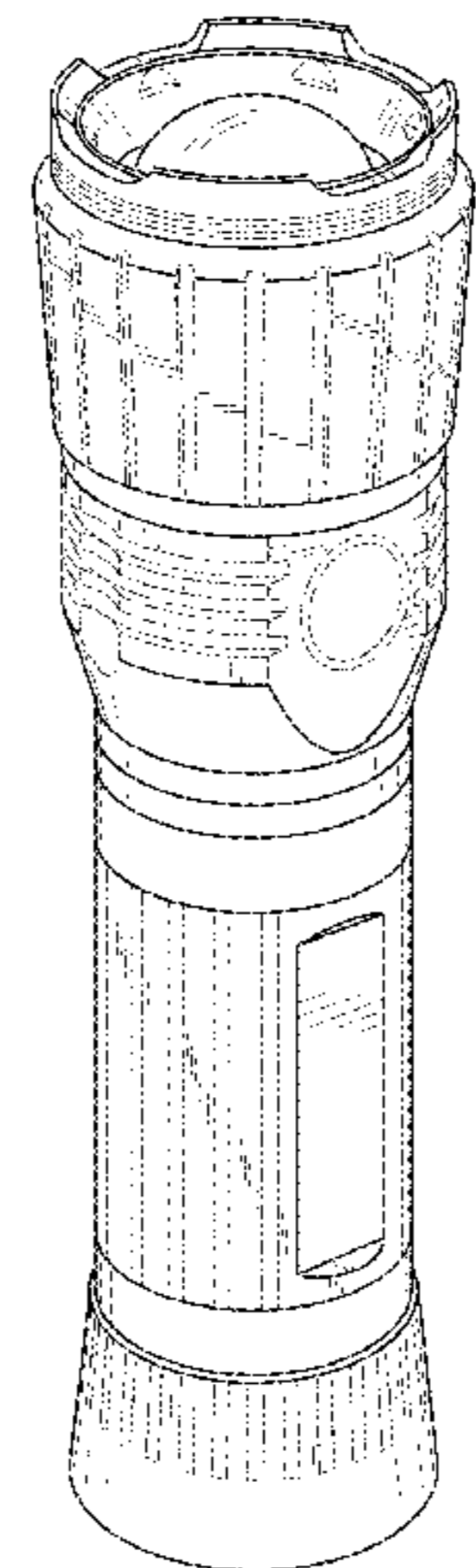
* cited by examiner
Primary Examiner — Ian Simmons
Assistant Examiner — Carissa C Fitts
(74) *Attorney, Agent, or Firm* — Thorpe North & Western LLP

(57) **CLAIM**
The ornamental design for flashlight, as shown and described.

DESCRIPTION
FIG. 1 is a perspective view of the flashlight in accordance with the invention;
FIG. 2 is a side view thereof;
FIG. 3 is an opposite side view of FIG. 2;
FIG. 4 is another side view of the invention as shown in FIG. 1;
FIG. 5 is an opposite side view of FIG. 4;
FIG. 6 is a top view of the invention;
FIG. 7 is a bottom view of the invention;
FIG. 8 is a perspective view of the flashlight of FIG. 1 in an extended position;
FIG. 9 is a side view of FIG. 8;
FIG. 10 is a an opposite side view of FIG. 9;
FIG. 11. is another side view of the invention shown in FIG. 9
FIG. 12 is an opposite view of FIG. 11;
FIG. 13 is a top view of the invention; and,
FIG. 14 is a bottom view of the invention.
The broken line showing represents unclaimed portions of the article and forms no part of the claimed design.

(56) **References Cited**
U.S. PATENT DOCUMENTS
D532,138 S * 11/2006 Wang D26/49
D576,757 S * 9/2008 Hesse D26/49
D577,452 S * 9/2008 Shiu D26/49
D577,844 S * 9/2008 Shiu D26/49
D601,286 S * 9/2009 Chen D26/49
D641,901 S * 7/2011 Opolka D26/49
D644,365 S * 8/2011 Yuen D26/49
D656,261 S * 3/2012 Lee D26/49
D659,270 S * 5/2012 Nguyen D26/49
D685,939 S * 7/2013 Cooper D26/49

1 Claim, 8 Drawing Sheets



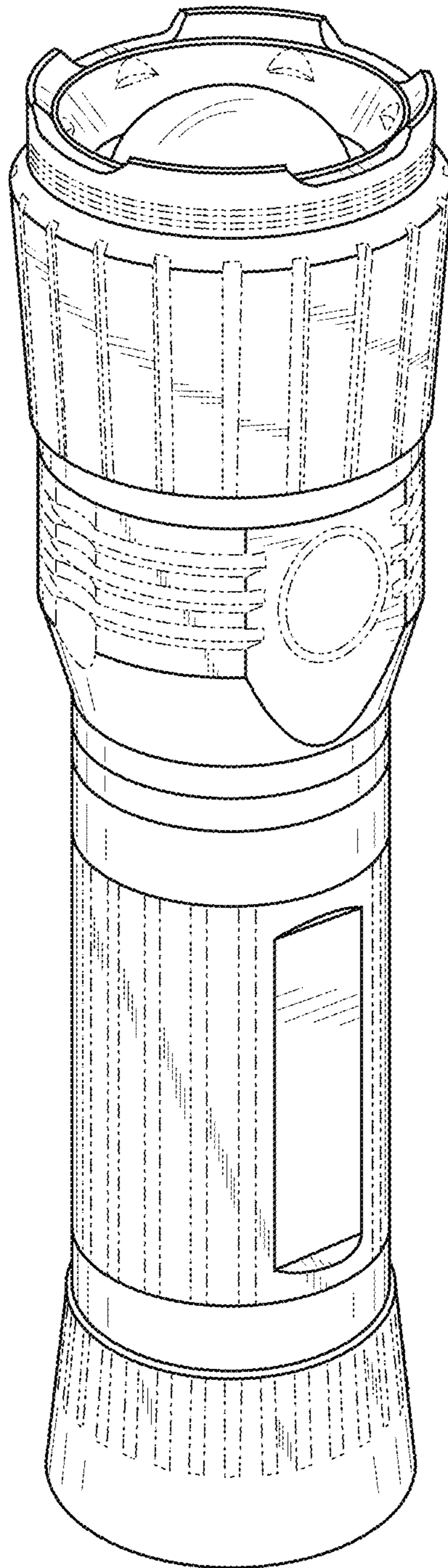


FIG. 1

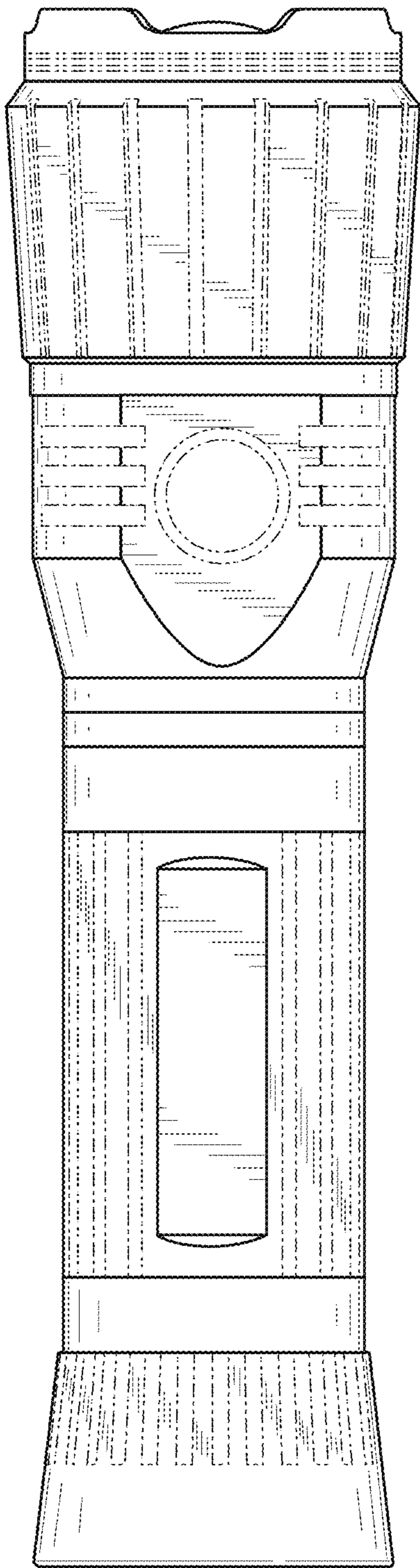


FIG. 2

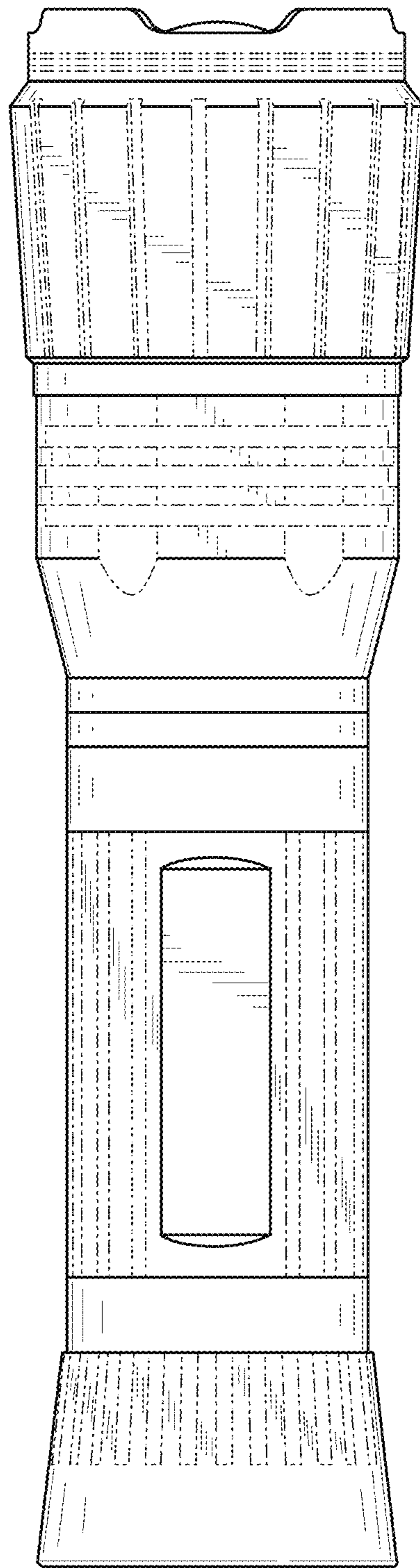


FIG. 3

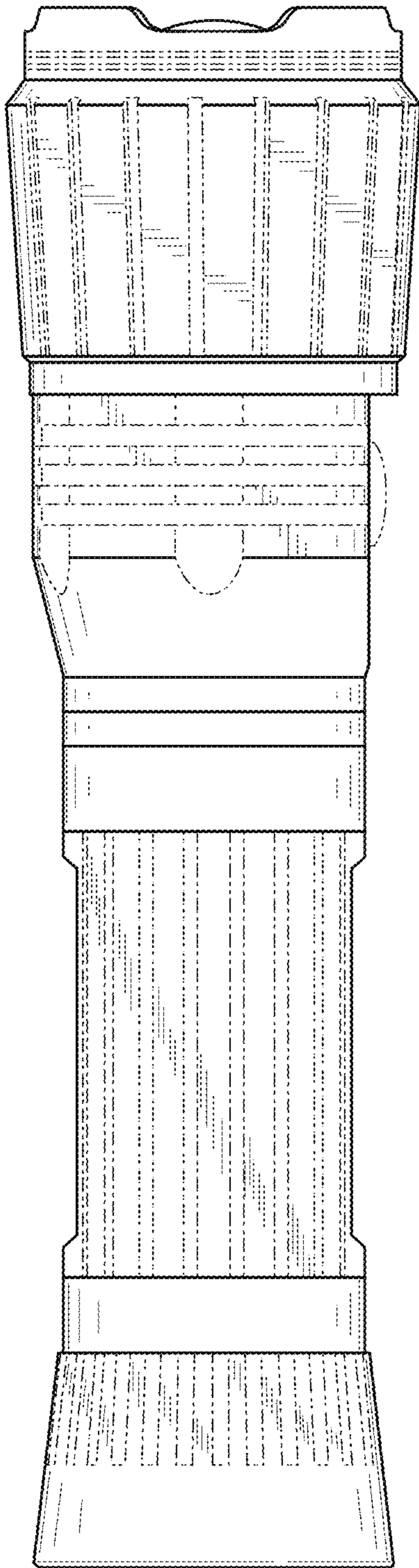


FIG. 4

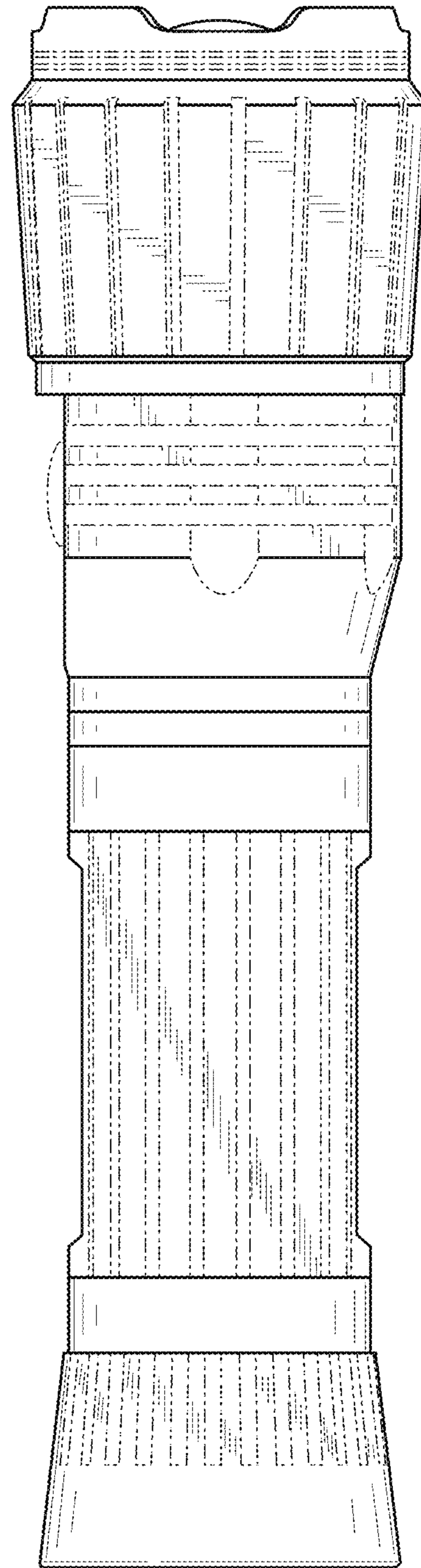


FIG. 5

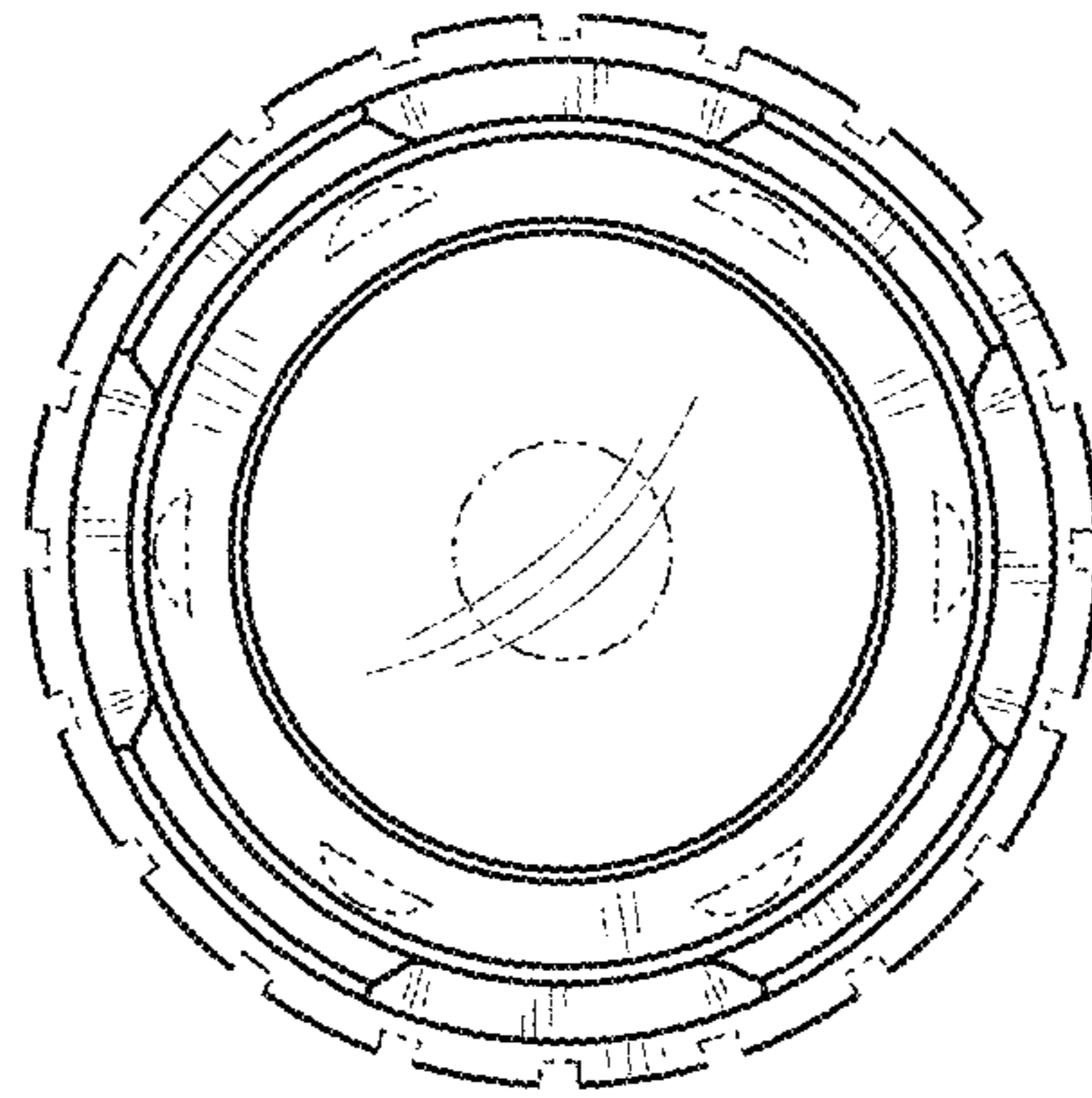


FIG. 6

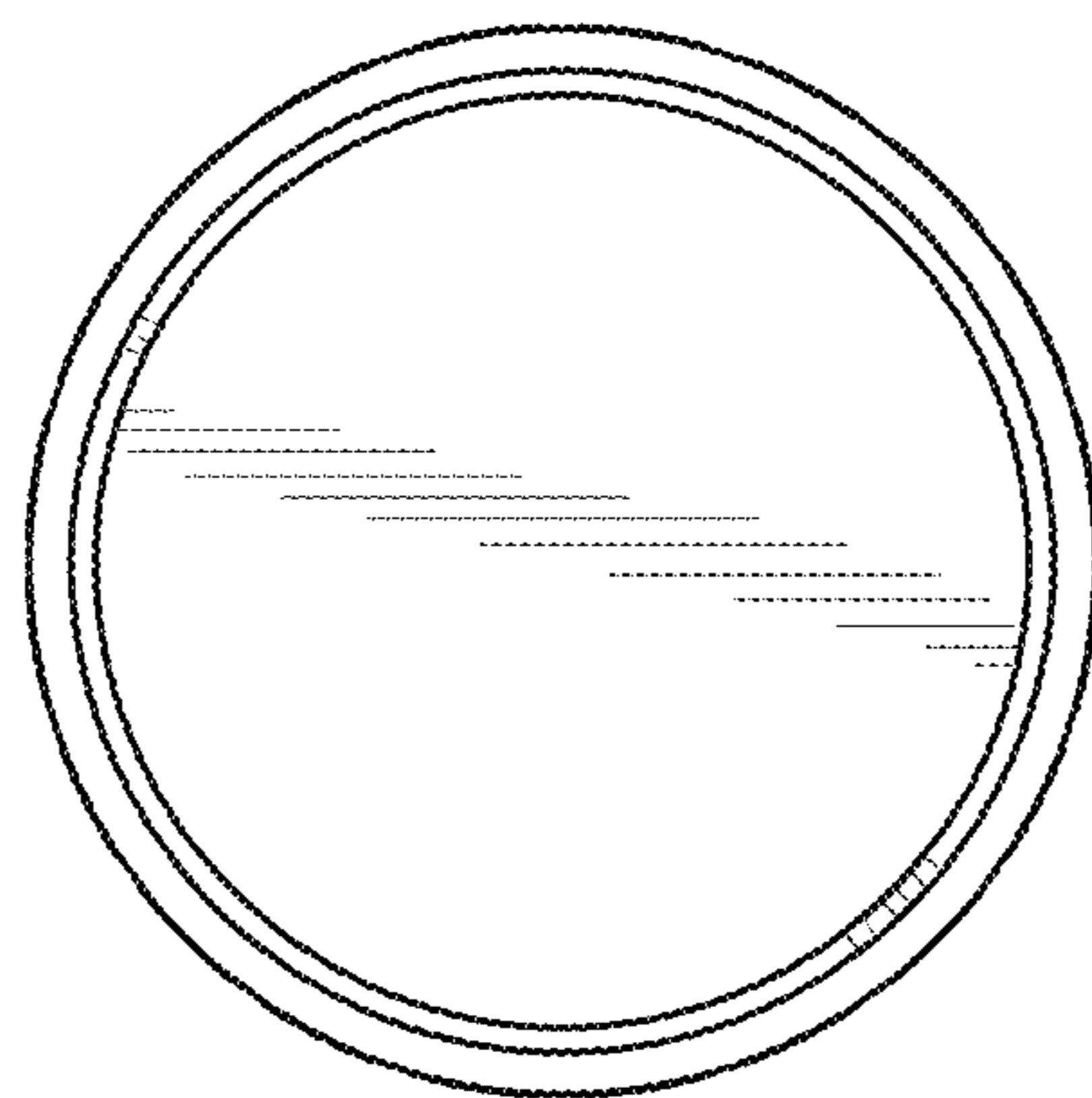


FIG. 7

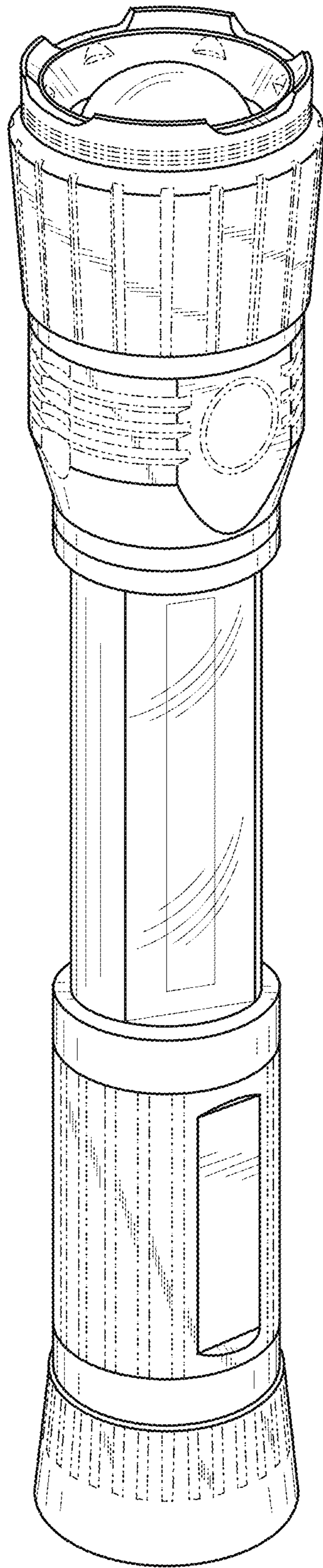


FIG. 8

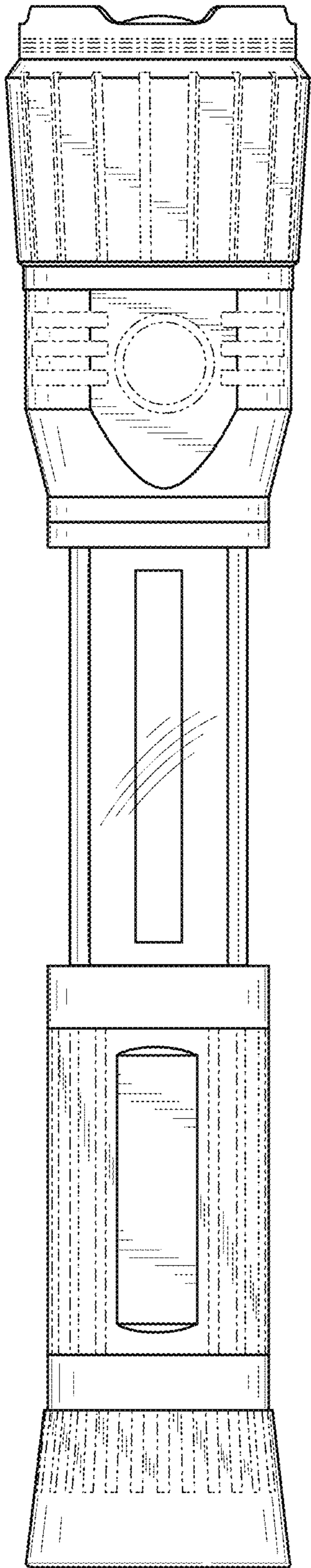


FIG. 9

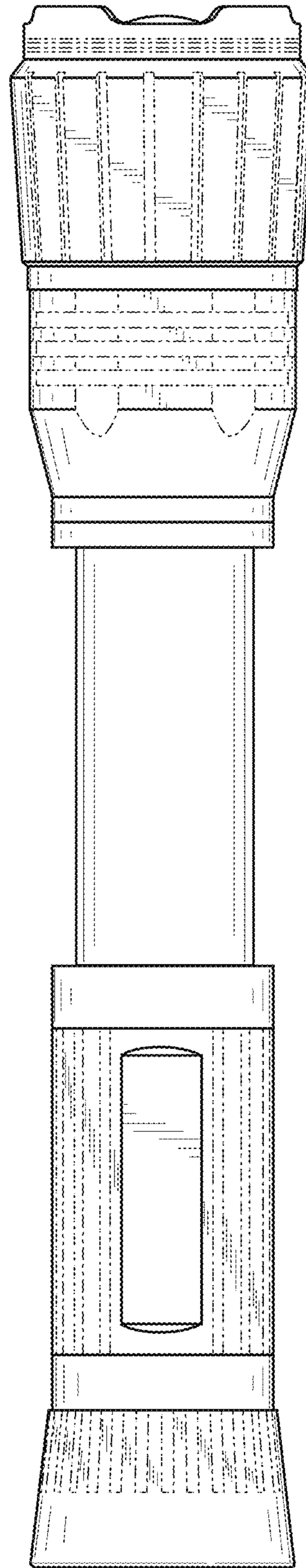


FIG. 10

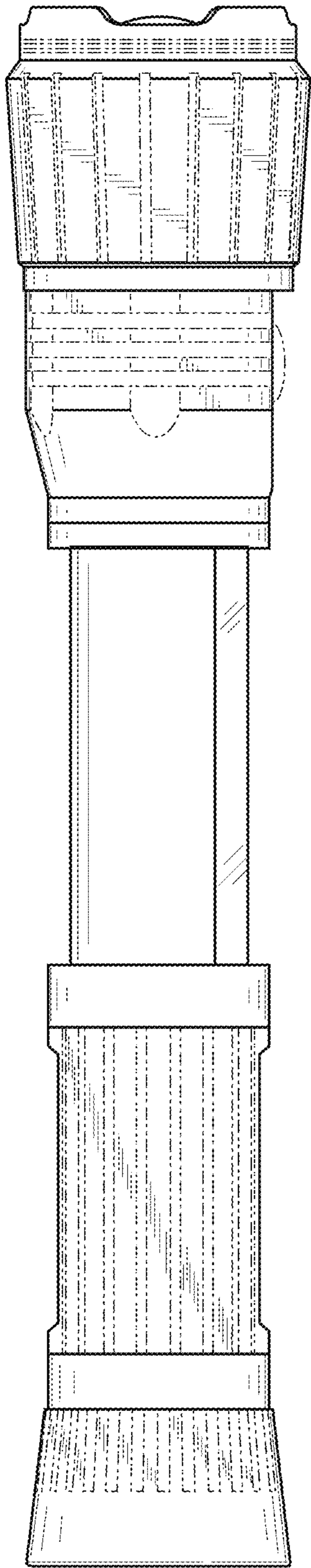


FIG. 11

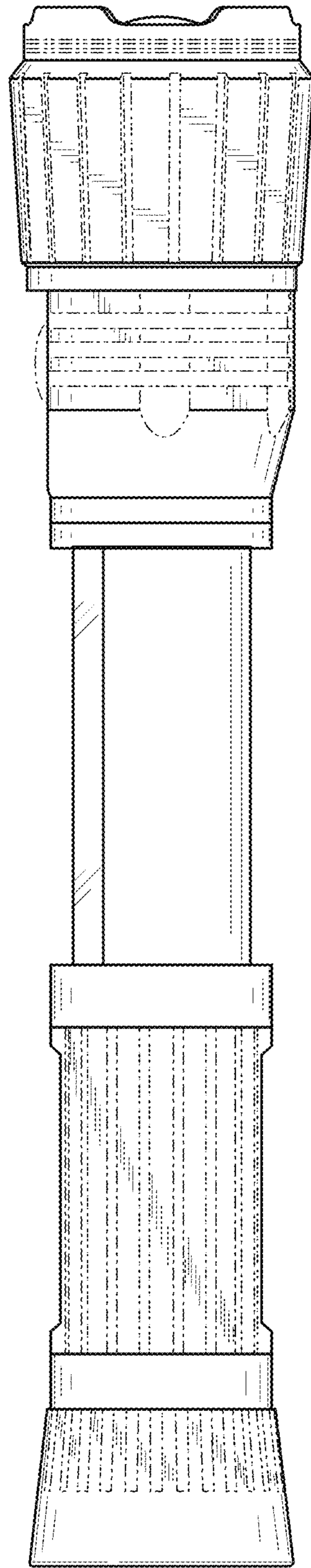


FIG. 12

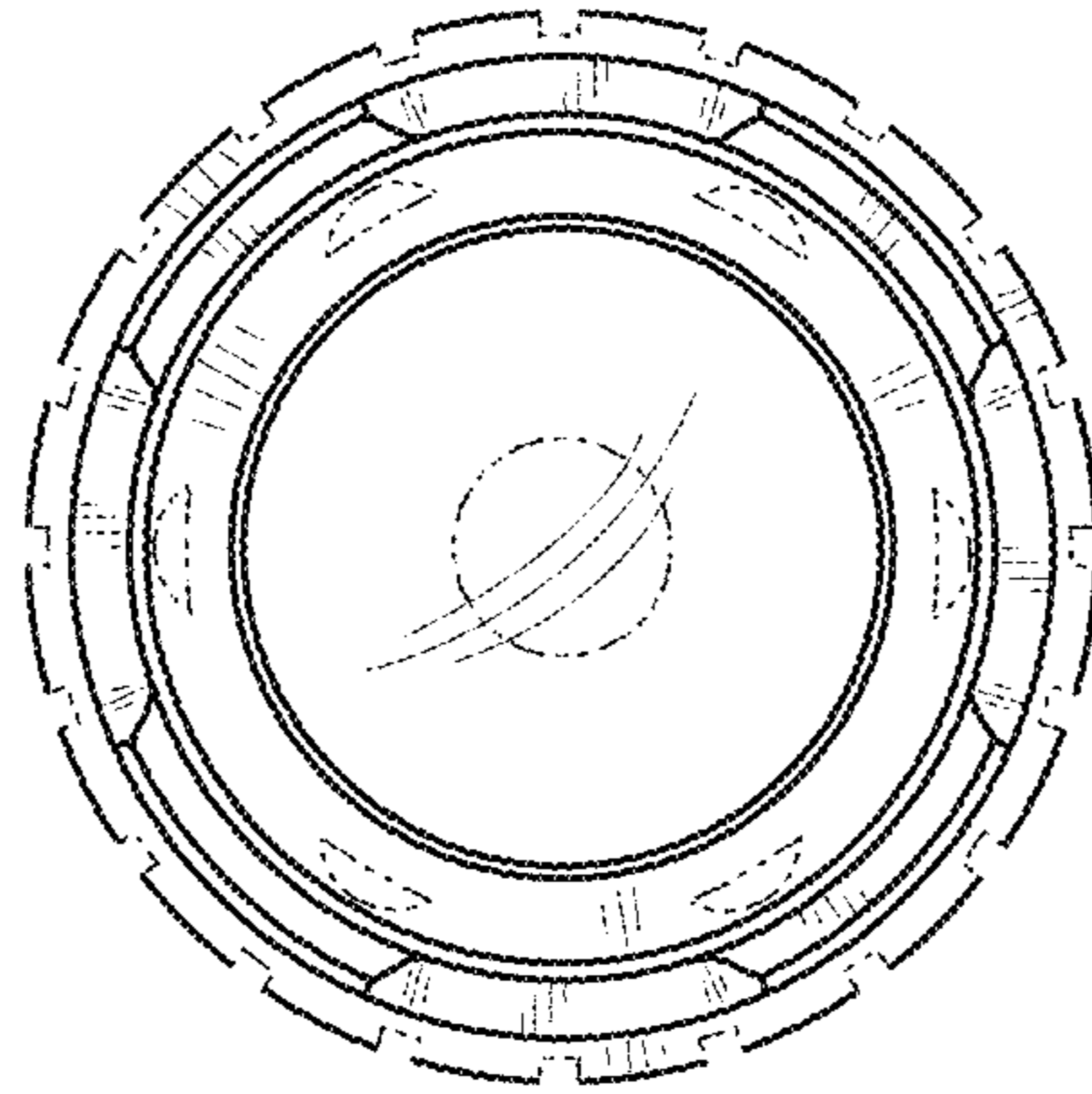


FIG. 13

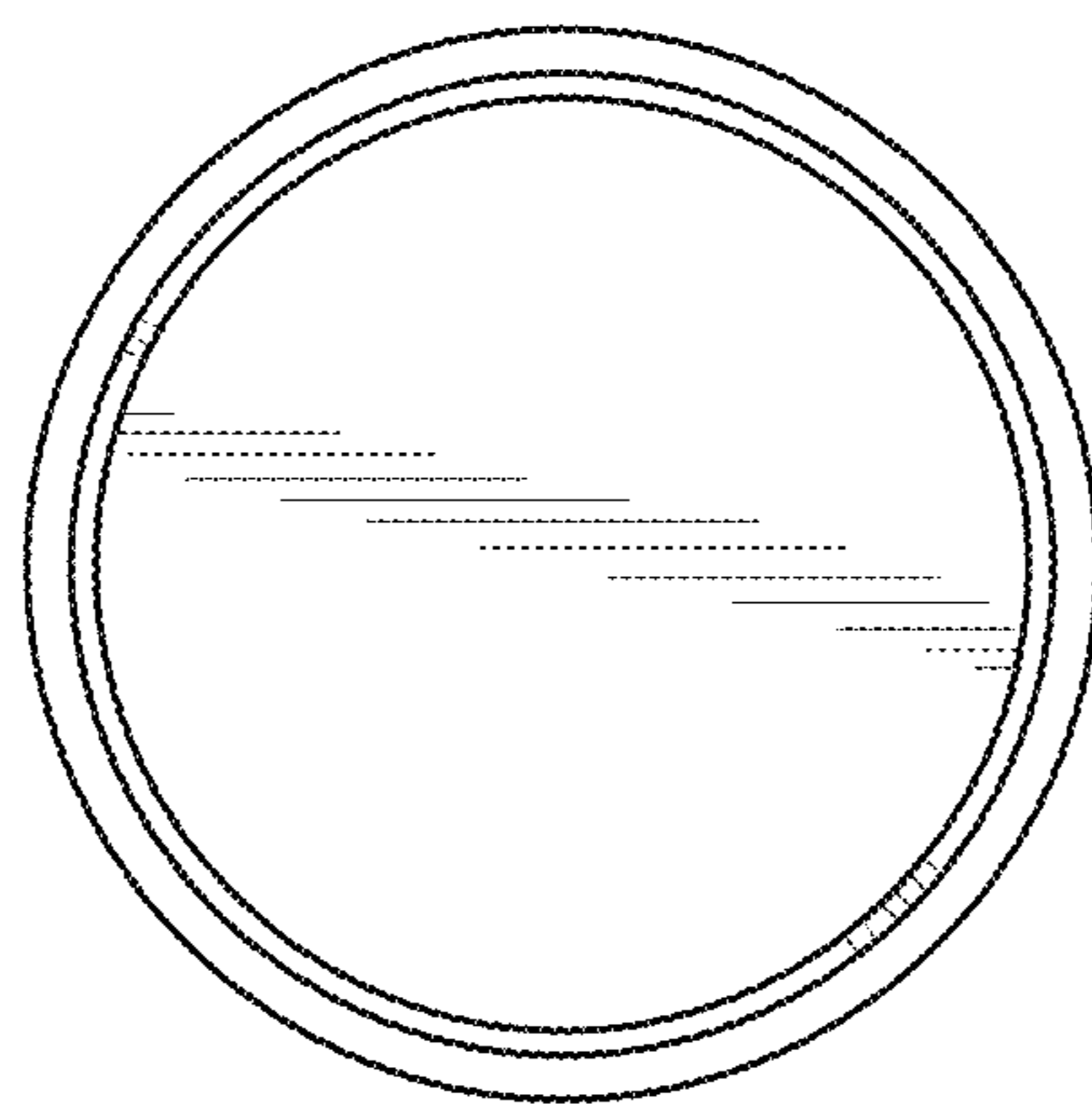


FIG. 14