



US00D774228S

(12) **United States Design Patent**
Workman et al.

(10) **Patent No.:** **US D774,228 S**

(45) **Date of Patent:** **** Dec. 13, 2016**

(54) **LANTERN DEVICE**

(71) Applicant: **Goal Zero LLC**, Bluffdale, UT (US)

(72) Inventors: **Robert E. Workman**, Morgan, UT (US); **Henry J. Howell**, Herriman, UT (US); **Norman L. Krantz**, Draper, UT (US)

(73) Assignee: **GOAL ZERO LLC**, Bluffdale, UT (US)

(**) Term: **14 Years**

(21) Appl. No.: **29/458,766**

(22) Filed: **Jun. 21, 2013**

(51) **LOC (10) Cl.** **26-02**

(52) **U.S. Cl.**
USPC **D26/41**

(58) **Field of Classification Search**
USPC D26/37, 38, 40, 41, 42, 50, 51; 362/157,
362/158, 183, 184, 194–196, 200–208,
362/253

(Continued)

(56) **References Cited**

U.S. PATENT DOCUMENTS

D343,242 S * 1/1994 Poon D26/42
D485,928 S * 1/2004 Leung D26/40

(Continued)

OTHER PUBLICATIONS

Goal Zero Lighthouse Lantern, product images from TigerDirect.com (www.tigerdirect.com/applications/SearchTools/item-details.asp?EdpNo=8021865&SRCCODE=WEBGOOKWL&cm_mmc_

o=mH4CjC7BBTkWcJCs81CjCE
&gclid=CPSs7u6O2rkCFctcMgodMRsArA), understood to be
publically available Jun. 29, 2011, 6 pages.

Primary Examiner — Ian Simmons
Assistant Examiner — Carissa C Fitts
(74) *Attorney, Agent, or Firm* — Foley & Lardner LLP

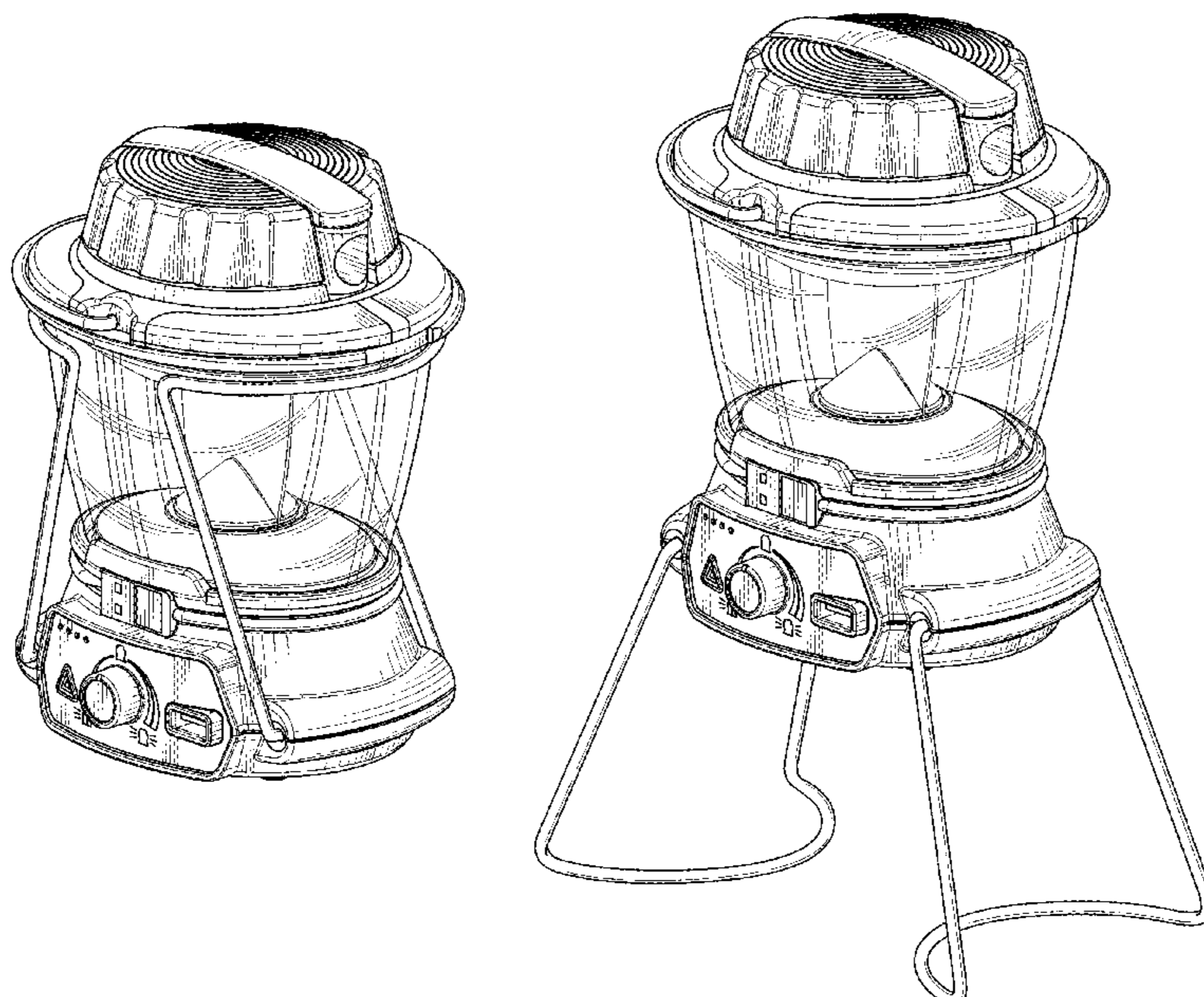
(57) **CLAIM**

We claim the ornamental design for a lantern device, as shown and described.

DESCRIPTION

FIG. 1 is a front perspective view of a first embodiment of the claimed design;
FIG. 2 is a front view of the embodiment of FIG. 1;
FIG. 3 is a rear view of the embodiment of FIG. 1;
FIG. 4 is a left side view of the embodiment of FIG. 1;
FIG. 5 is a right side view of the embodiment of FIG. 1;
FIG. 6 is a top view of the embodiment of FIG. 1;
FIG. 7 is a bottom view of the embodiment of FIG. 1;
FIG. 8 is a front perspective view of a second embodiment of the claimed design;
FIG. 9 is a front view of the embodiment of FIG. 8;
FIG. 10 is a rear view of the embodiment of FIG. 8;
FIG. 11 is a left side view of the embodiment of FIG. 8;
FIG. 12 is a right side view of the embodiment of FIG. 8;
FIG. 13 is a top view of the embodiment of FIG. 8; and
FIG. 14 is a bottom view of the embodiment of FIG. 8.
The broken line showing of the lantern device represents unclaimed portions of the article and forms no part of the claimed design. Broken lines formed by equal length dashes show unclaimed portions of the design. Broken lines formed of unequal length dashes (i.e. dash-dot) show boundaries between claimed and unclaimed portions of the design.

1 Claim, 12 Drawing Sheets



(58) **Field of Classification Search**
 CPC F21V 33/00; F21V 14/025; F21V 21/406;
 F21Y 2101/02; F21L 17/00; F21L 13/08
 See application file for complete search history.

(56) **References Cited**

U.S. PATENT DOCUMENTS

D486,932 S * 2/2004 Dario D26/40
 D487,809 S * 3/2004 Leung D26/40
 D513,336 S * 12/2005 Kung D26/40
 D545,984 S * 7/2007 Leung D26/40
 D604,436 S * 11/2009 Poon D26/40
 D608,920 S * 1/2010 Loibl D26/40
 D621,536 S * 8/2010 Lee D26/41
 D648,055 S * 11/2011 Poon D26/41

D666,343 S * 8/2012 Lee D26/39
 D667,577 S * 9/2012 Wu D26/49
 D670,013 S * 10/2012 Bertken D26/40
 D674,945 S * 1/2013 Bertken D26/40
 D690,856 S * 10/2013 Shiu D26/39
 D691,311 S * 10/2013 Chen D26/40
 D693,499 S * 11/2013 Bennett D26/37
 D694,445 S * 11/2013 Shiu D26/40
 D699,375 S * 2/2014 Ueda D26/28
 8,651,714 B1 * 2/2014 Hamasaki B62J 6/02
 362/473
 D711,572 S * 8/2014 Kwon D26/37
 8,876,341 B2 * 11/2014 Eagleman B62J 6/02
 362/473
 D722,716 S * 2/2015 Pamani D26/41
 D726,943 S * 4/2015 Petzl D26/39

* cited by examiner

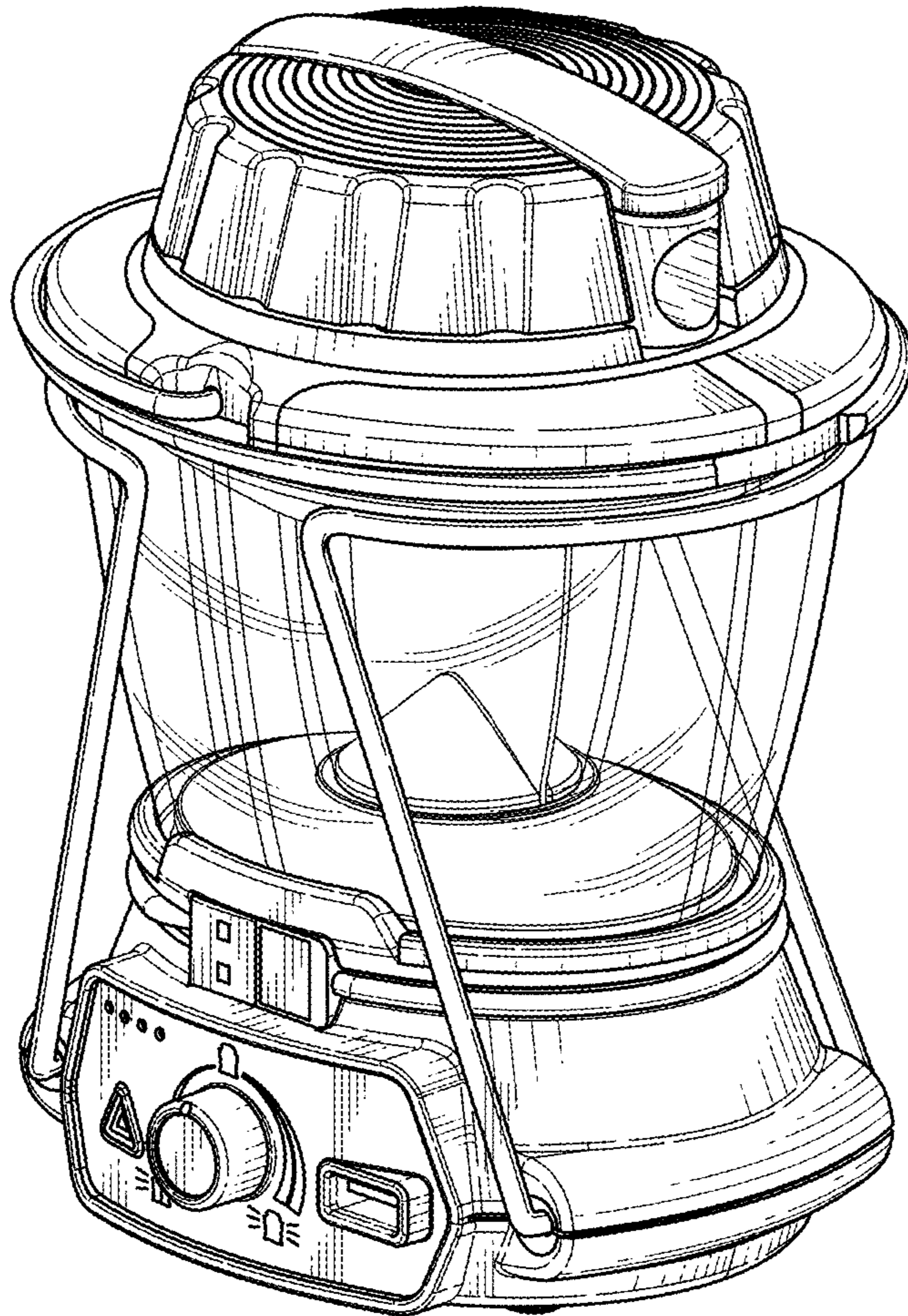


FIG. 1

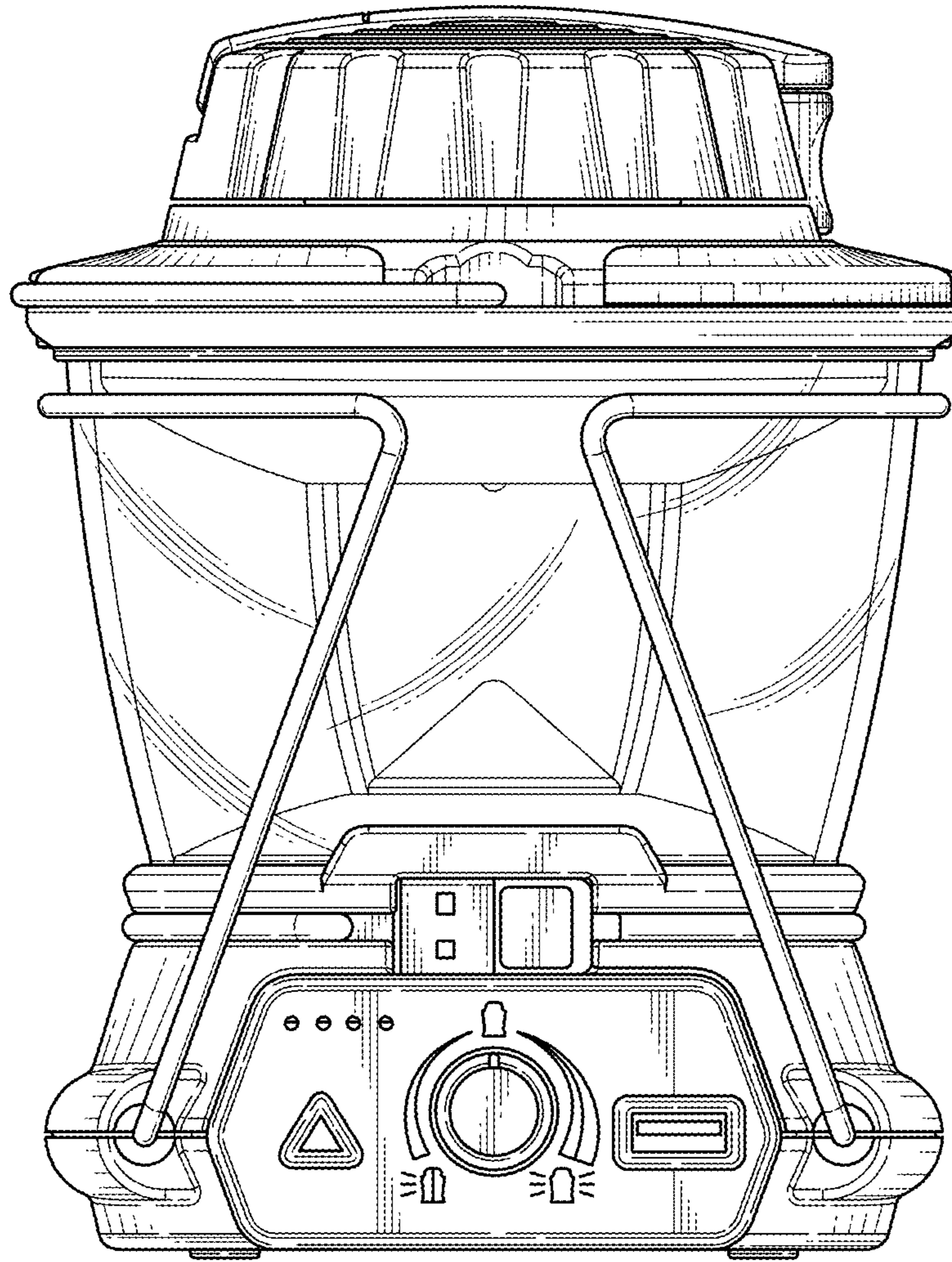


FIG. 2

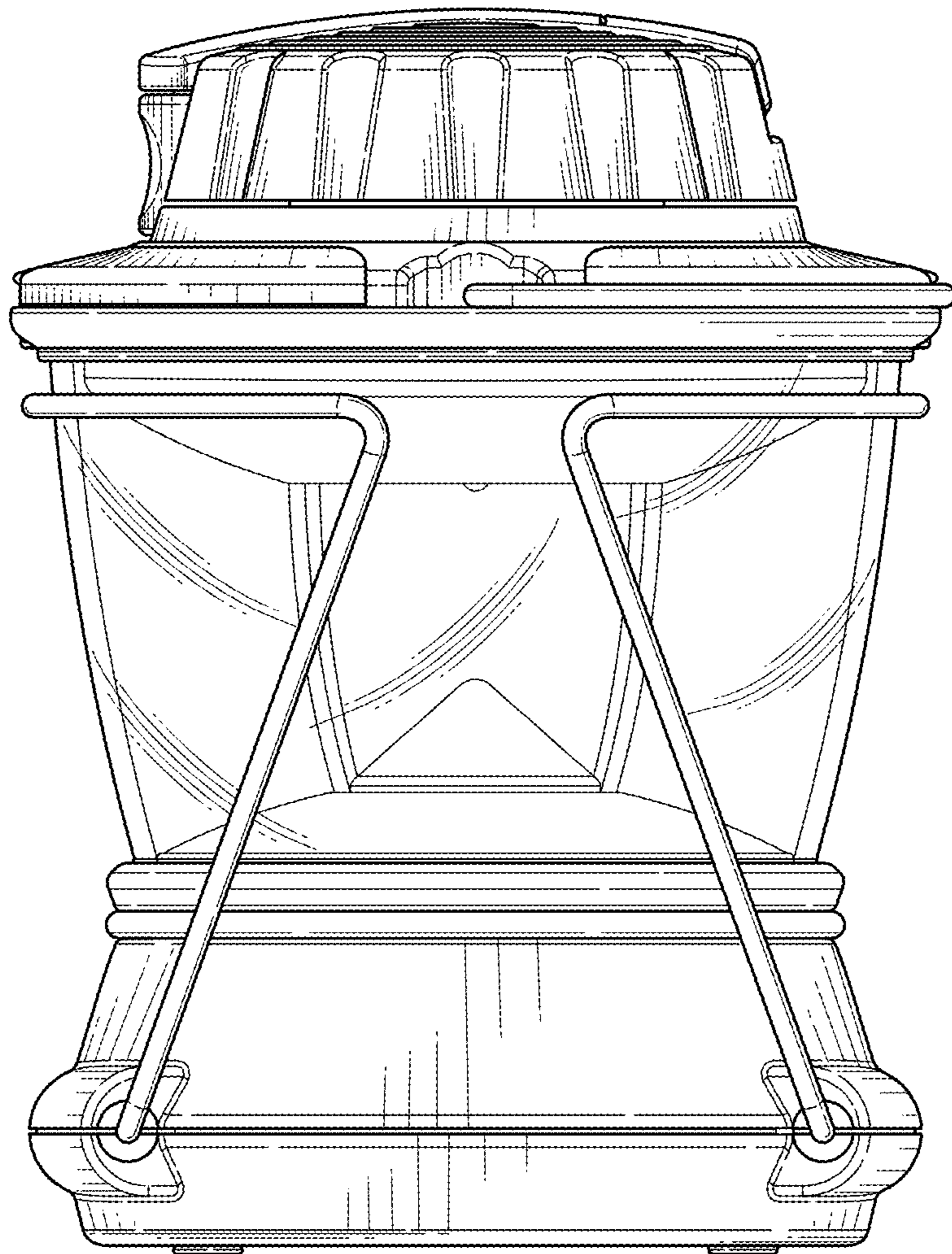


FIG. 3

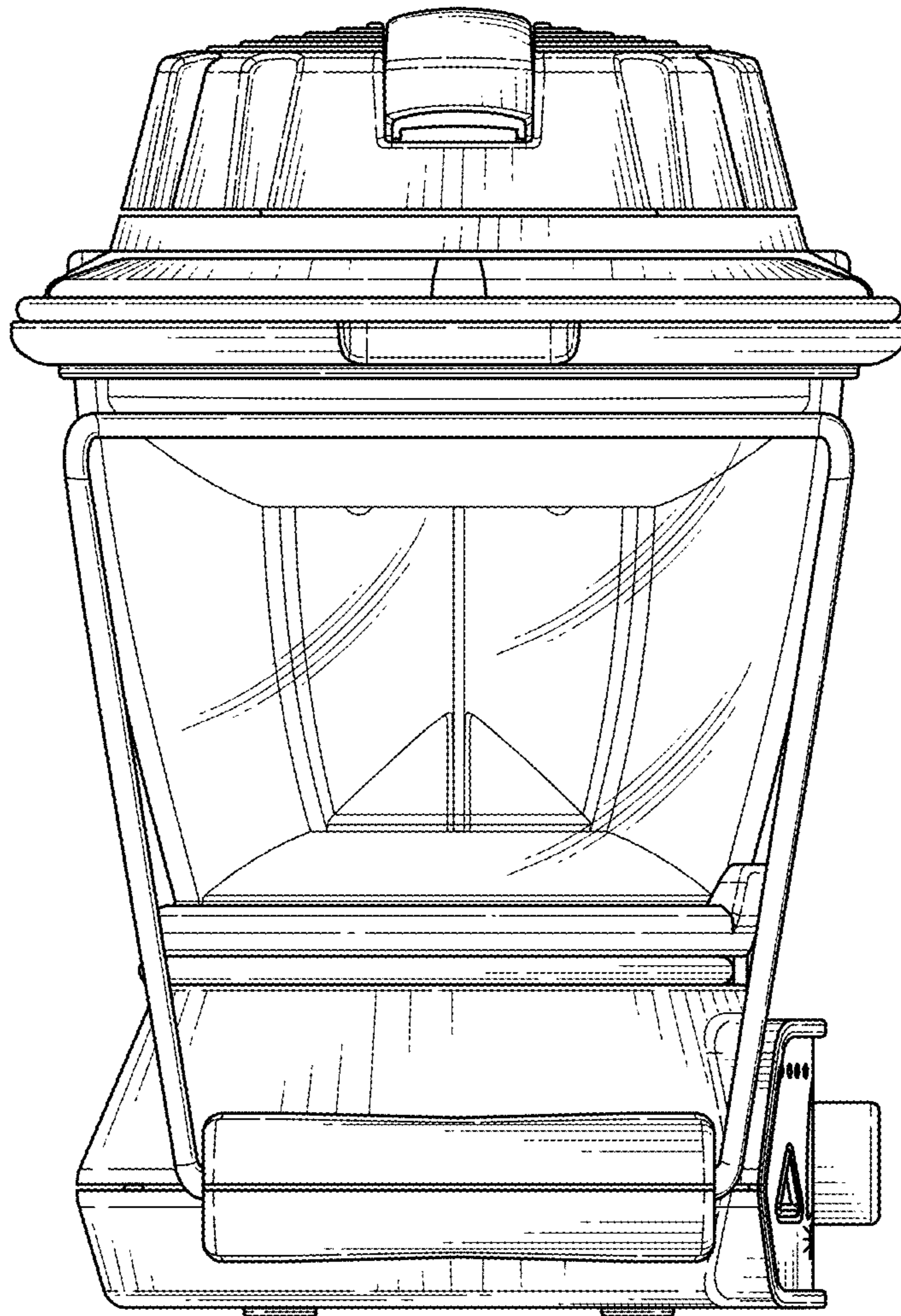


FIG. 4

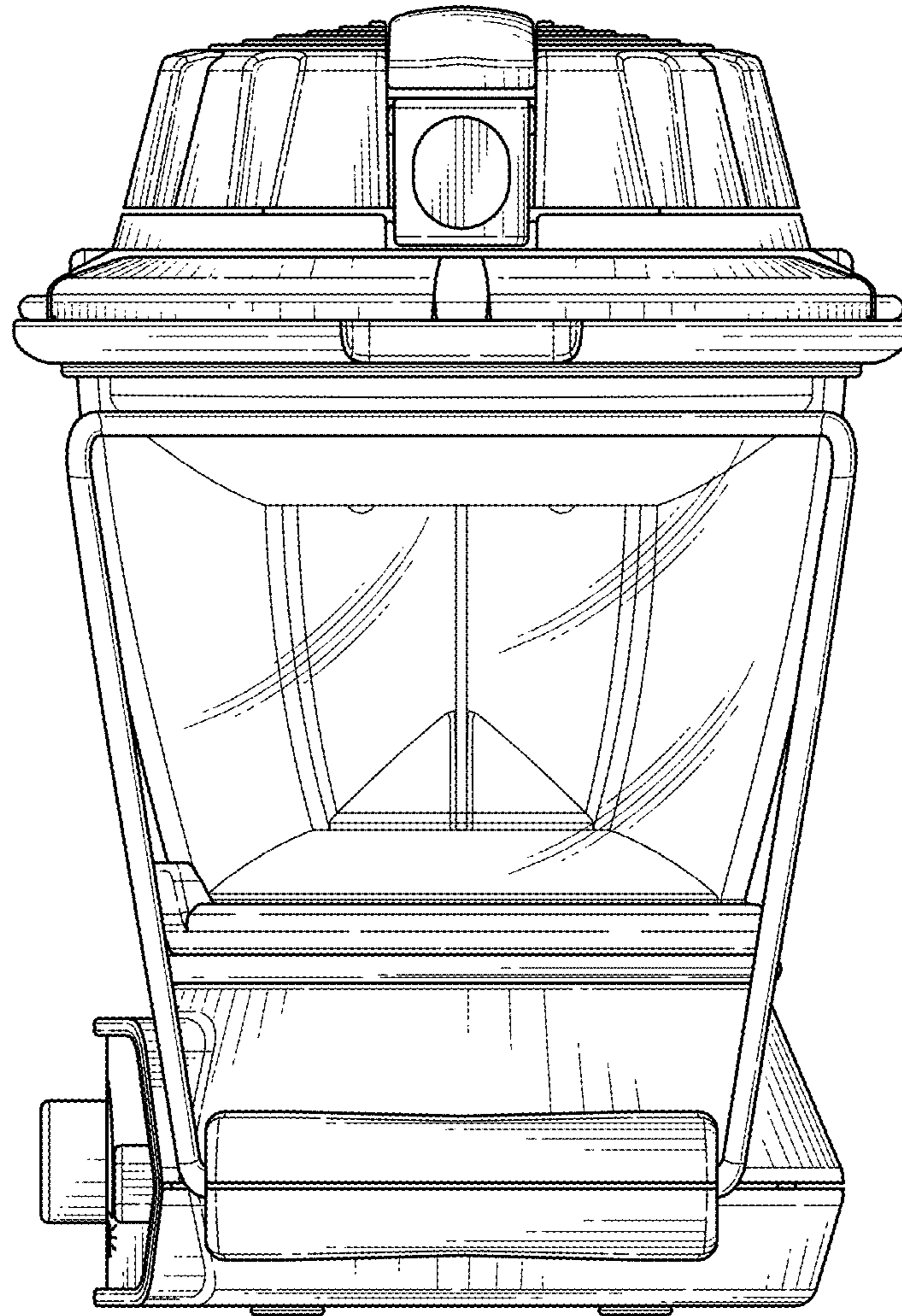


FIG. 5

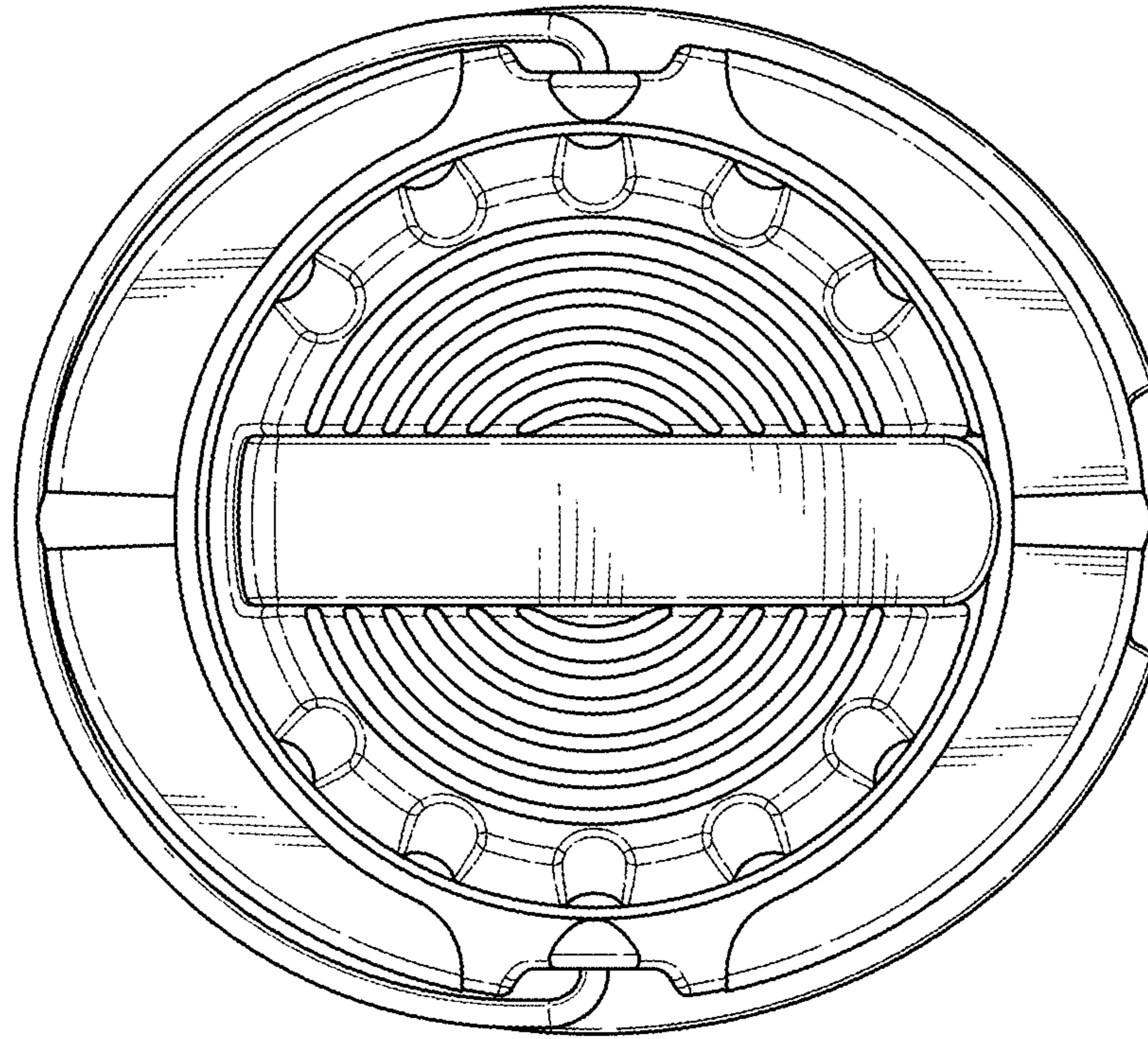


FIG. 6

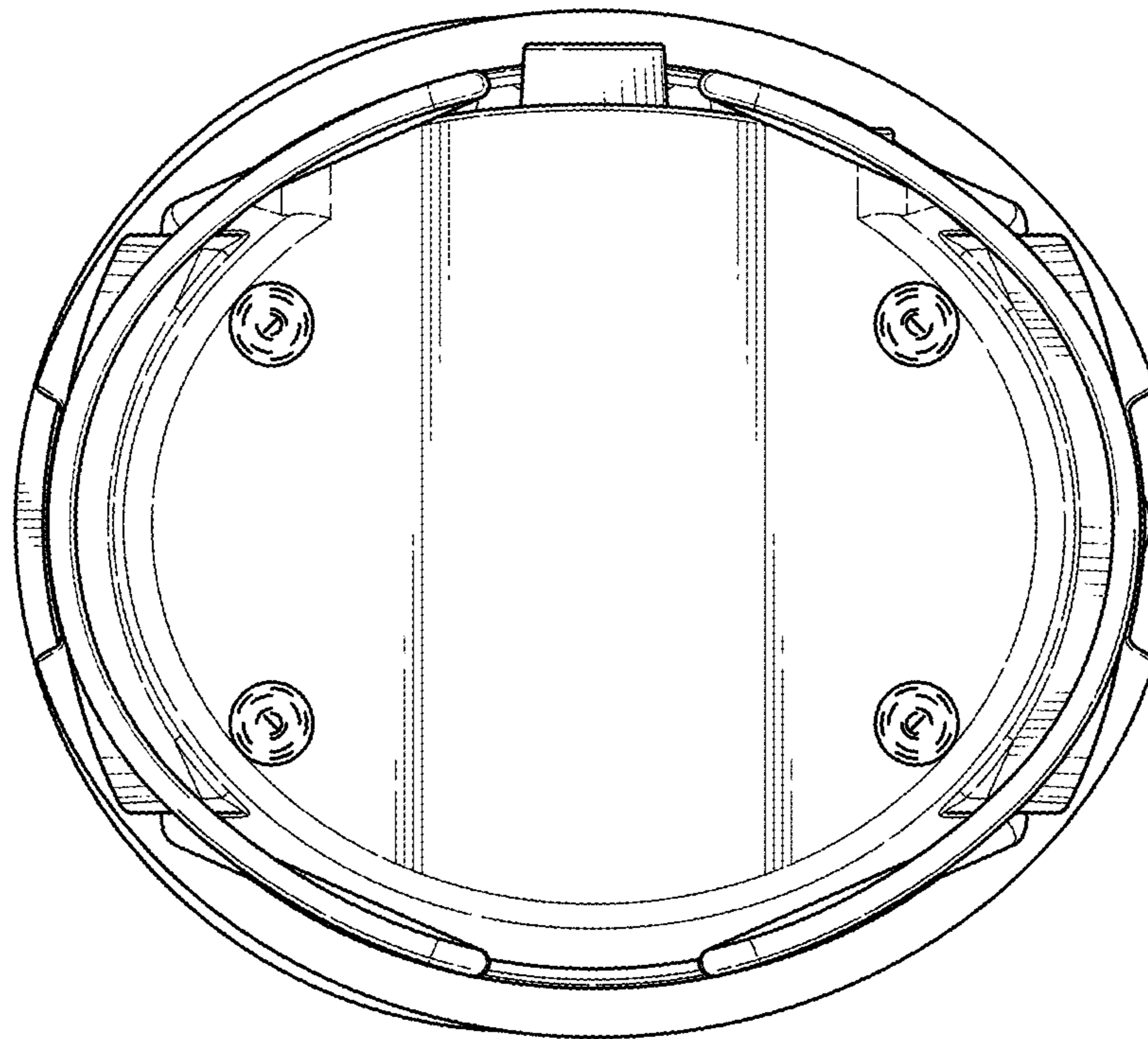


FIG. 7

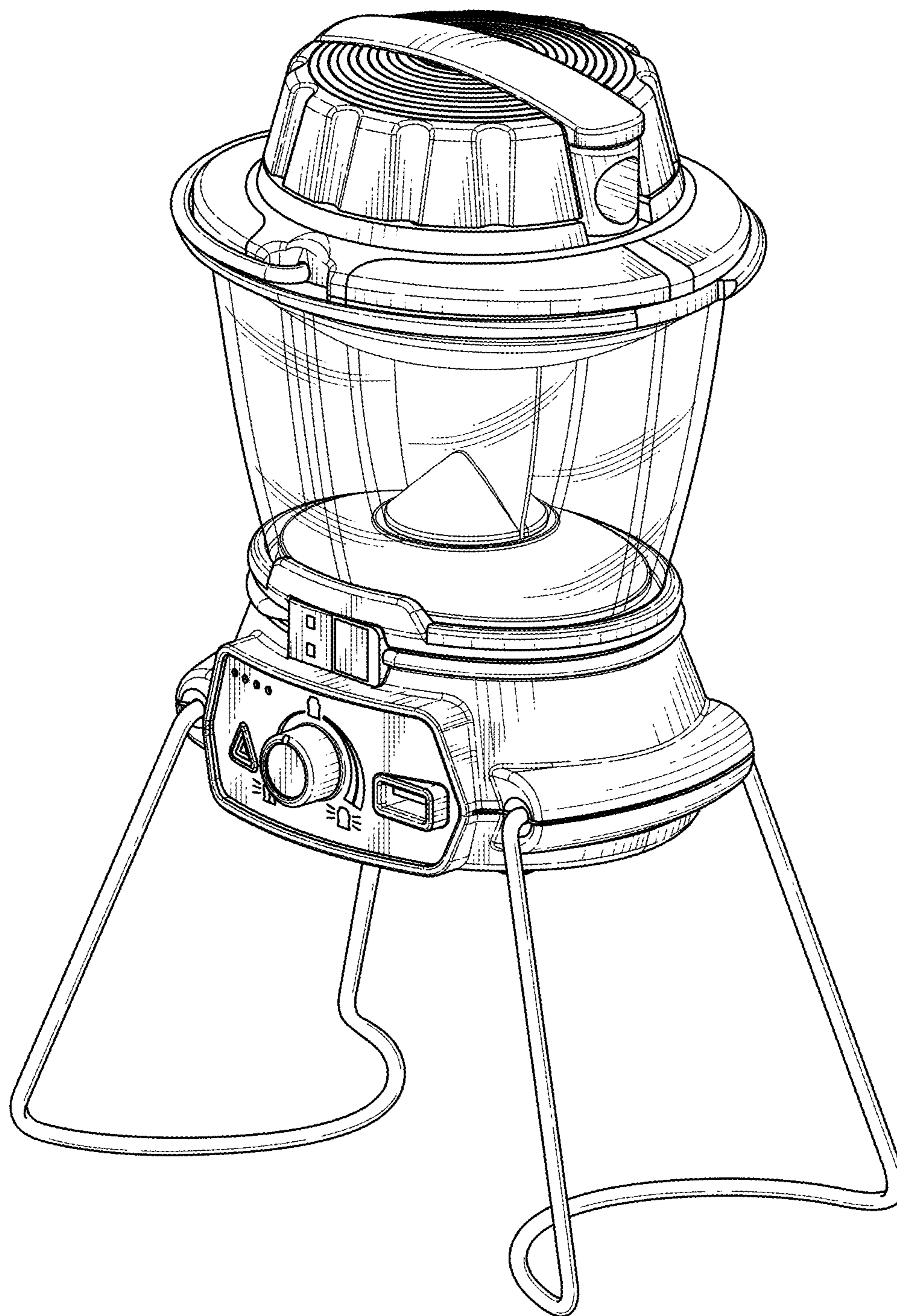


FIG. 8

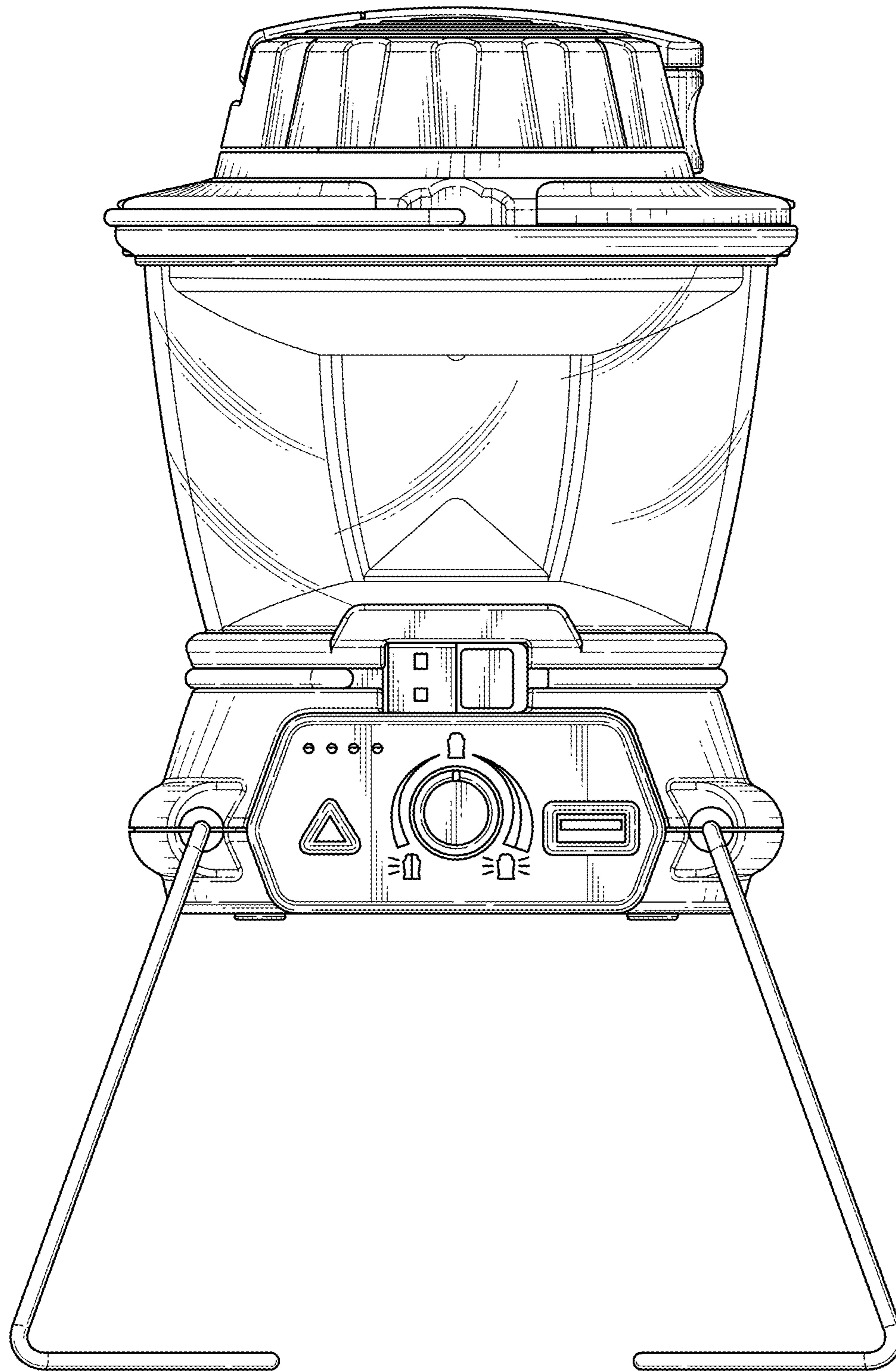


FIG. 9

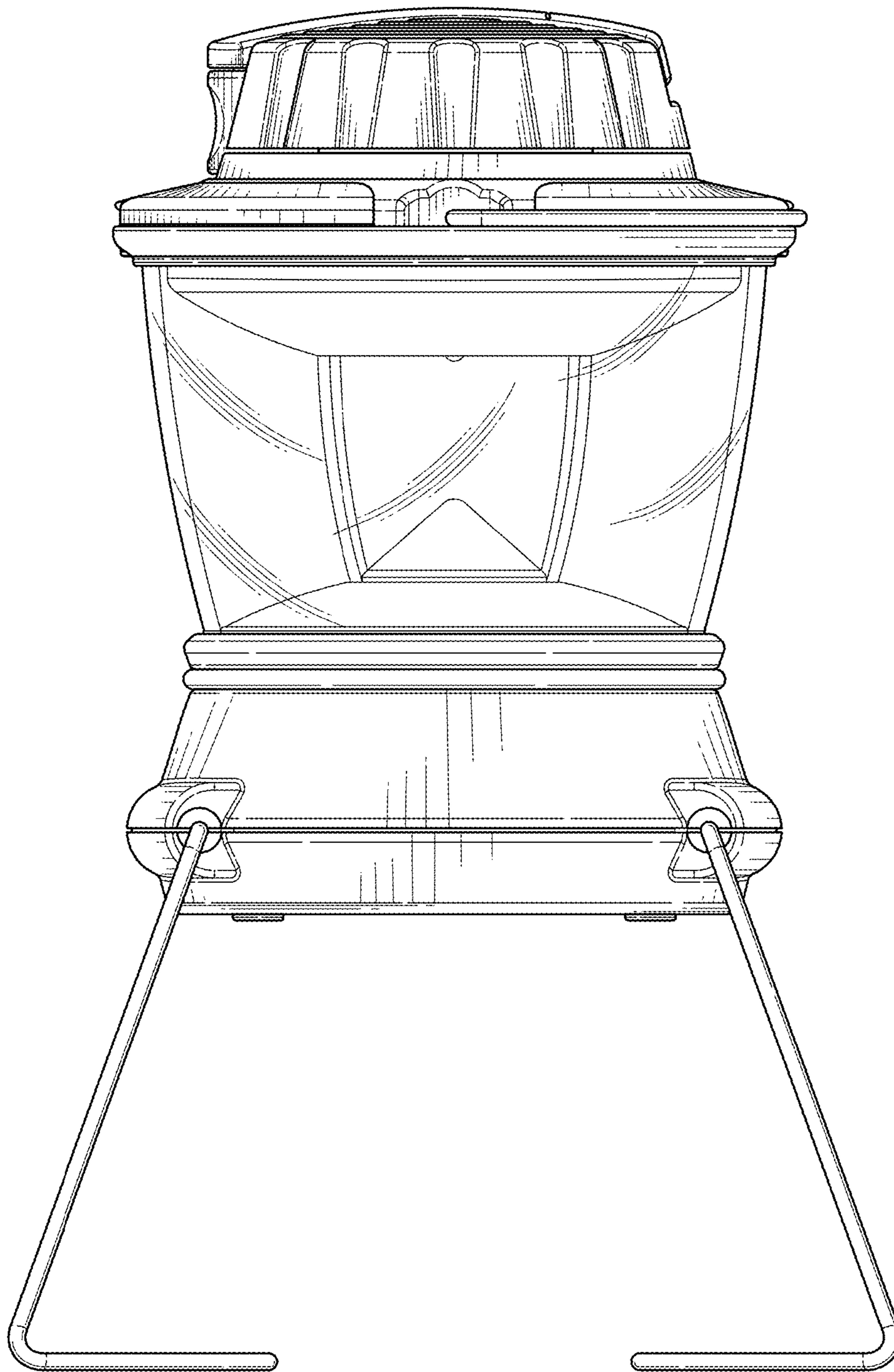


FIG. 10

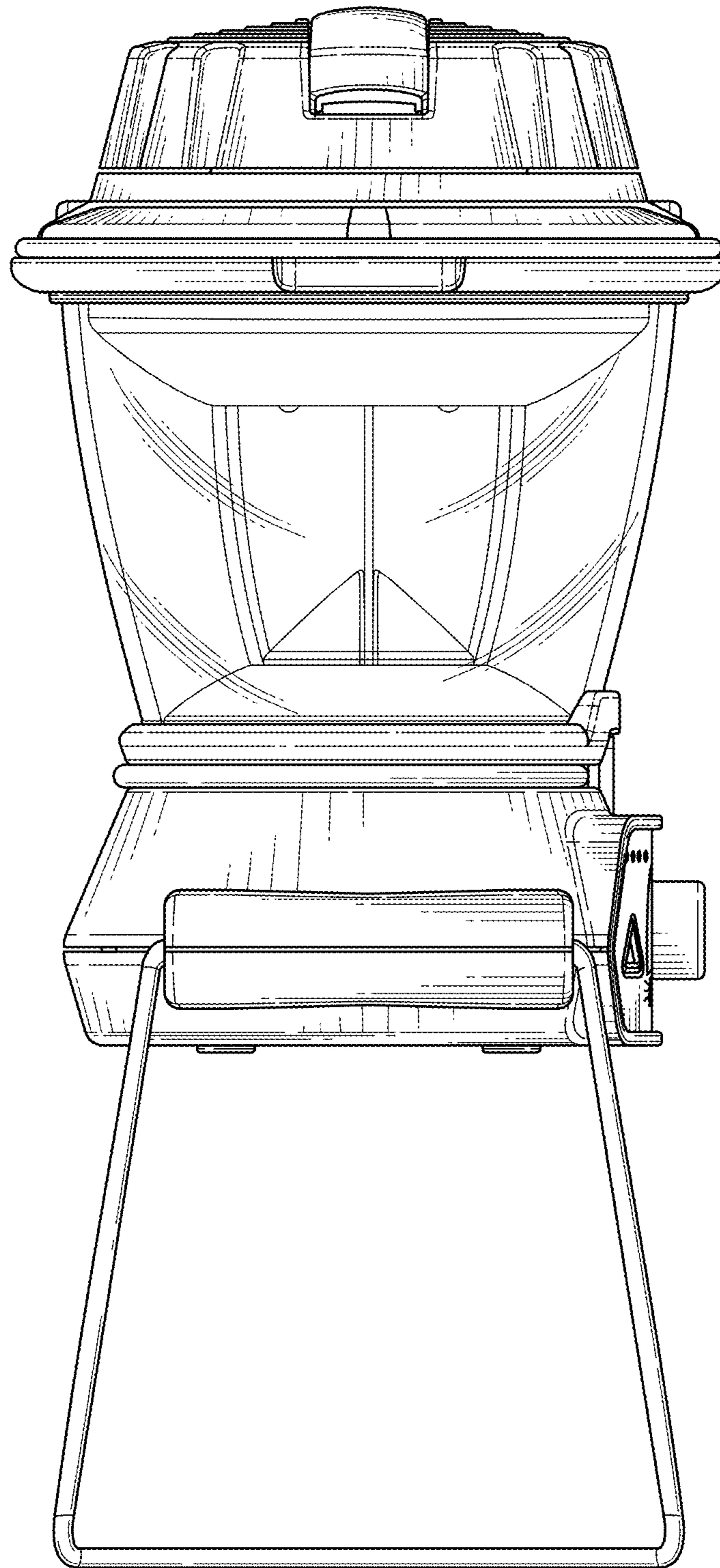


FIG. 11

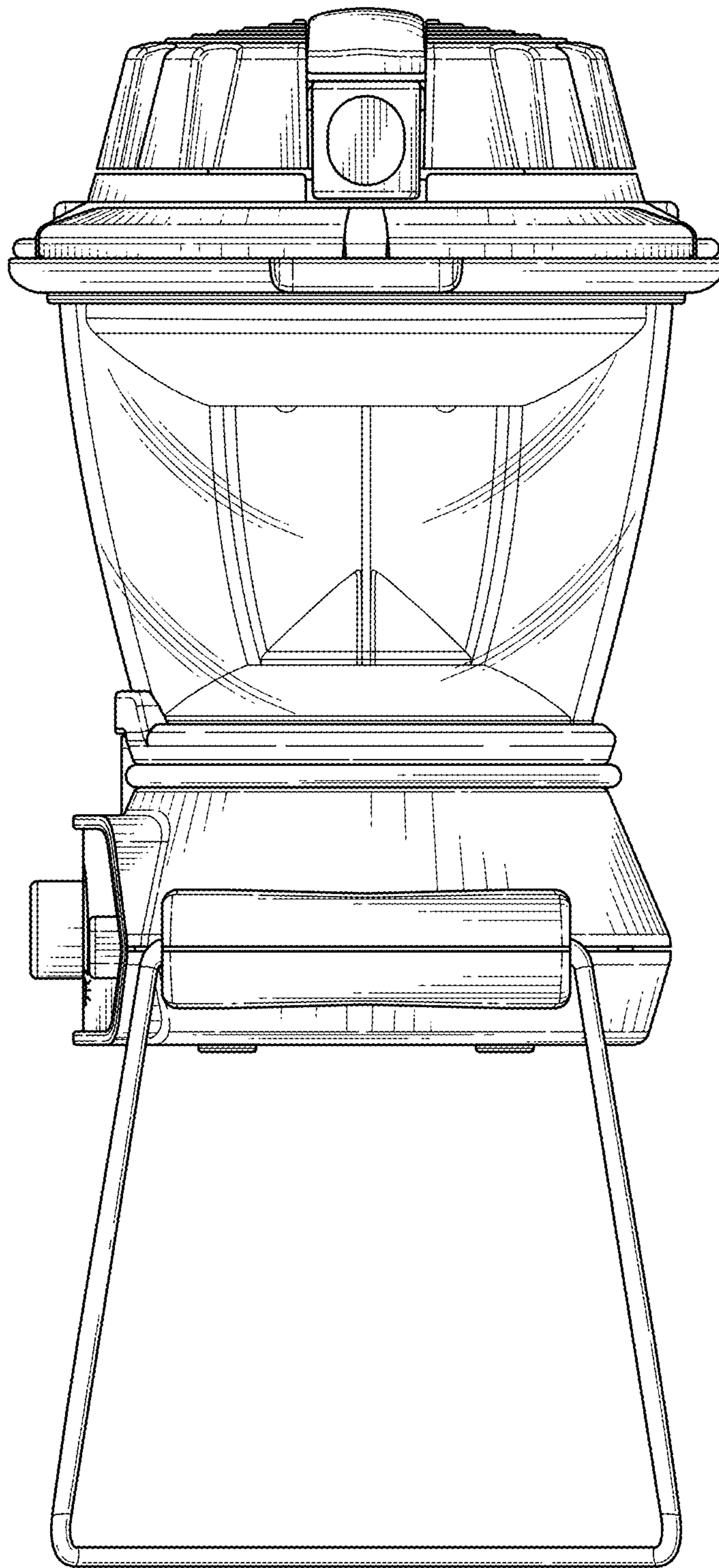


FIG. 12

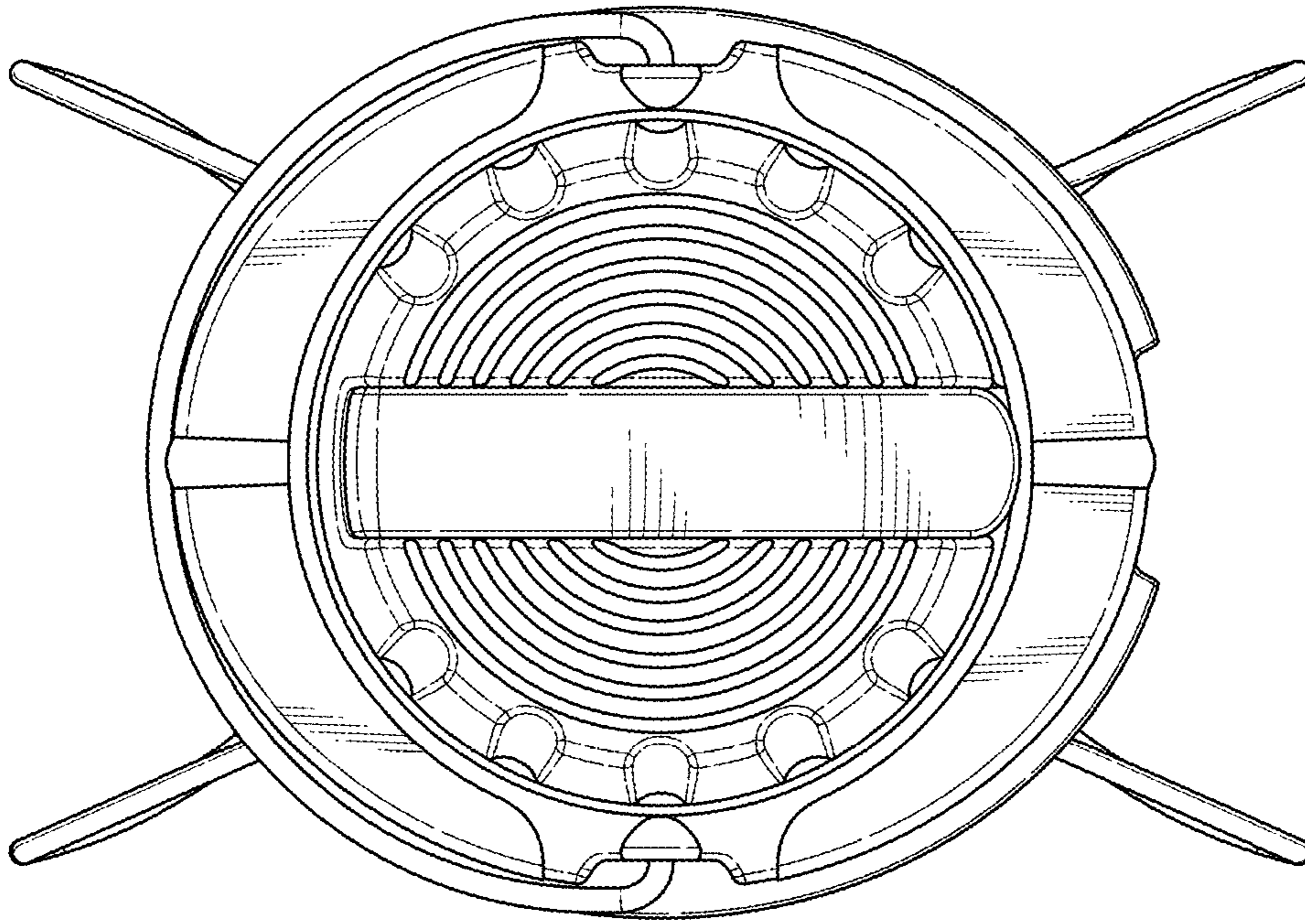


FIG. 13

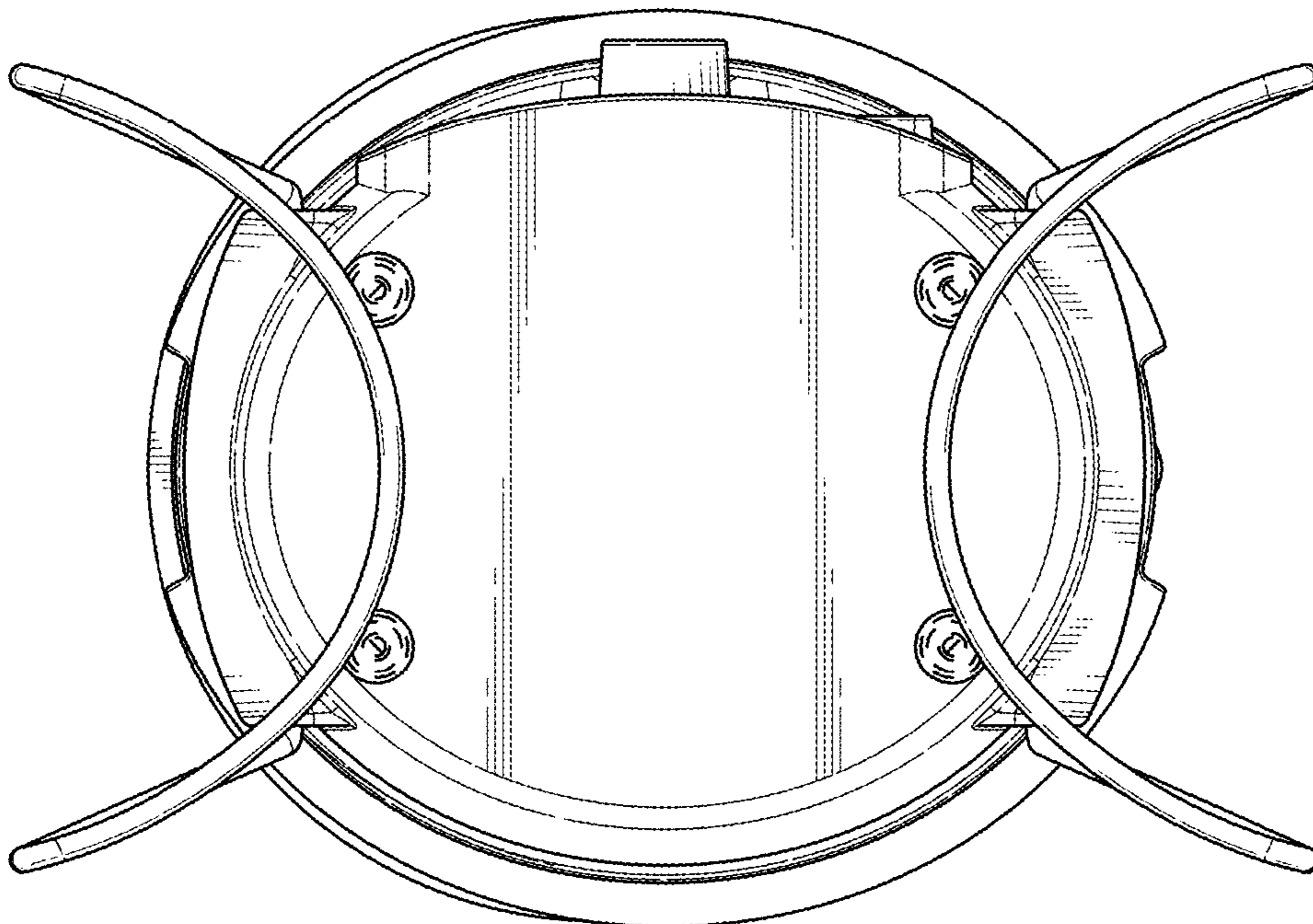


FIG. 14