



US00D774227S

(12) **United States Design Patent** (10) **Patent No.:** **US D774,227 S**
Noguchi (45) **Date of Patent:** **** Dec. 13, 2016**

(54) **REAR COMBINATION LAMP FOR AN AUTOMOBILE**

(71) Applicant: **Nissan Motor Co., Ltd.**, Yokohama, Kanagawa (JP)

(72) Inventor: **Takashi Noguchi**, Kanagawa (JP)

(73) Assignee: **Nissan Motor Co., Ltd.**, Yokohama (JP)

(**) Term: **15 Years**

(21) Appl. No.: **29/545,120**

(22) Filed: **Nov. 10, 2015**

(30) **Foreign Application Priority Data**

May 12, 2015 (JP) 2015-010291

(51) **LOC (10) Cl.** **26-06**

(52) **U.S. Cl.**
USPC **D26/28**

(58) **Field of Classification Search**
USPC D26/28-36; 362/80-83, 267-269,
362/459-468, 475-478, 485-487

(Continued)

(56) **References Cited**

U.S. PATENT DOCUMENTS

D541,445 S * 4/2007 Lin D26/28
D549,363 S * 8/2007 Pfeiffer D26/28

(Continued)

FOREIGN PATENT DOCUMENTS

JP 1348561 S 1/2009
JP 1360184 S 5/2009

(Continued)

Primary Examiner — Marcus Jackson

(74) *Attorney, Agent, or Firm* — Global IP Counselors, LLP

(57) **CLAIM**

The ornamental design for a rear combination lamp for an automobile, as shown and described.

DESCRIPTION

FIG. 1 is a front elevational view of a rear combination lamp for an automobile in accordance with a first embodiment of our new design;

FIG. 2 is a rear elevational view of the rear combination lamp in accordance with the first embodiment of our new design of FIG. 1;

FIG. 3 is a top plan view of the rear combination lamp in accordance with the first embodiment of our new design of FIGS. 1 and 2;

FIG. 4 is a bottom plan view of the rear combination lamp in accordance with the first embodiment of our new design of FIGS. 1 to 3;

FIG. 5 is a right side elevational view of the rear combination lamp in accordance with the first embodiment of our new design of FIGS. 1 to 4;

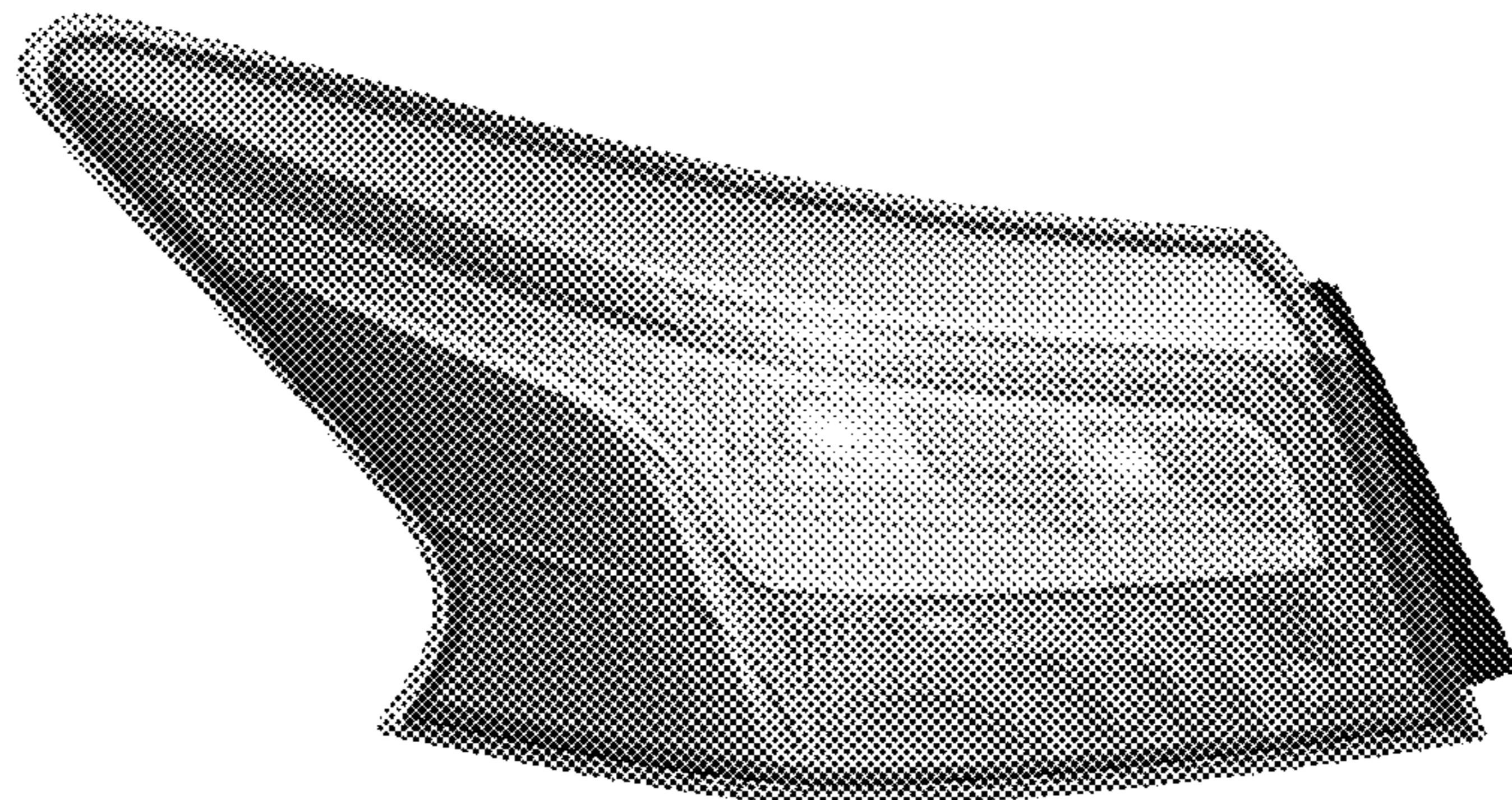
FIG. 6 is a left side elevational view of the rear combination lamp in accordance with the first embodiment of our new design of FIGS. 1 to 5; and,

FIG. 7 is a front side perspective view of the rear combination lamp in accordance with the first embodiment of our new design of FIGS. 1 to 6.

The rear elevational view of FIG. 2 and the left side elevational view of FIG. 6 form no part of the claimed design. In addition, the rear combination lamp is configured to be mounted to an automobile. The mounting structure and support structure of the rear combination lamp, visible in FIGS. 2 to 7, form no part of the claimed design since the mounting structure and support structure are hidden when the rear combination lamp is mounted to the automobile.

In addition, the appearance of the rear side structures of the rear combination lamp as seen in FIGS. 2 to 7 is for purpose of illustrating the boundaries of the exterior surface of the rear combination lamp, and forms no part of the claimed design.

(Continued)



A second embodiment of our new design is identical to the first embodiment. The second embodiment of our new design includes the mirror image of the rear combination lamp shown in FIGS. 1 to 7.

1 Claim, 7 Drawing Sheets

(58) **Field of Classification Search**

CPC F21S 48/00; F21S 48/10; F21S 48/115;
F21S 48/225; F21S 48/1233; F21S
48/1266; F21S 48/1388; F21S 48/2268;
F21V 21/04

See application file for complete search history.

(56) **References Cited**

U.S. PATENT DOCUMENTS

D671,248 S 11/2012 Fuchigami et al.
D709,632 S 7/2014 Sato et al.
D709,633 S 7/2014 Kabata

FOREIGN PATENT DOCUMENTS

JP 1444786 S 6/2012
JP 1419129 S 7/2012
JP 1454114 S 10/2012
JP 1474632 S 7/2013
JP 1479645 S 9/2013
JP 1513122 S 12/2014
JP 1518110 S 2/2015
JP 1501253 S 6/2015

* cited by examiner

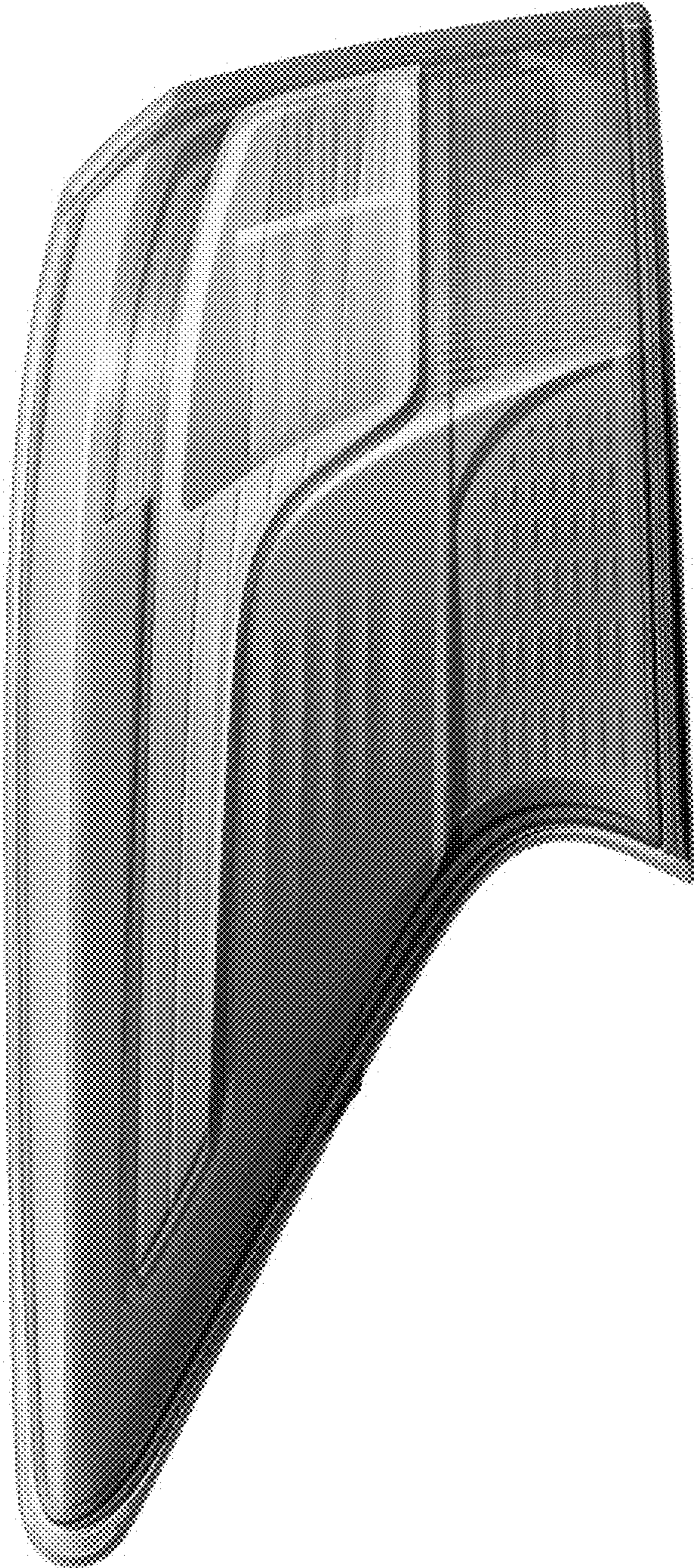


FIG. 1

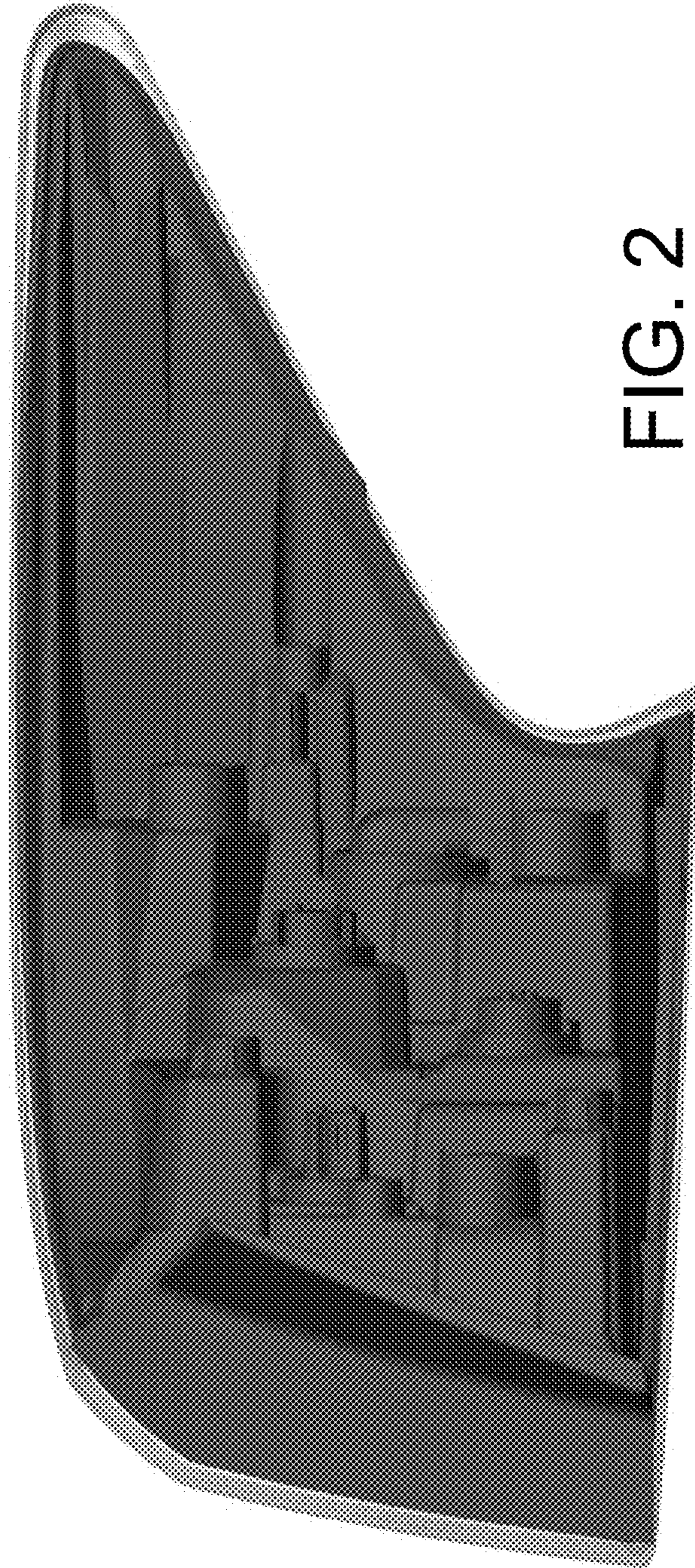


FIG. 2

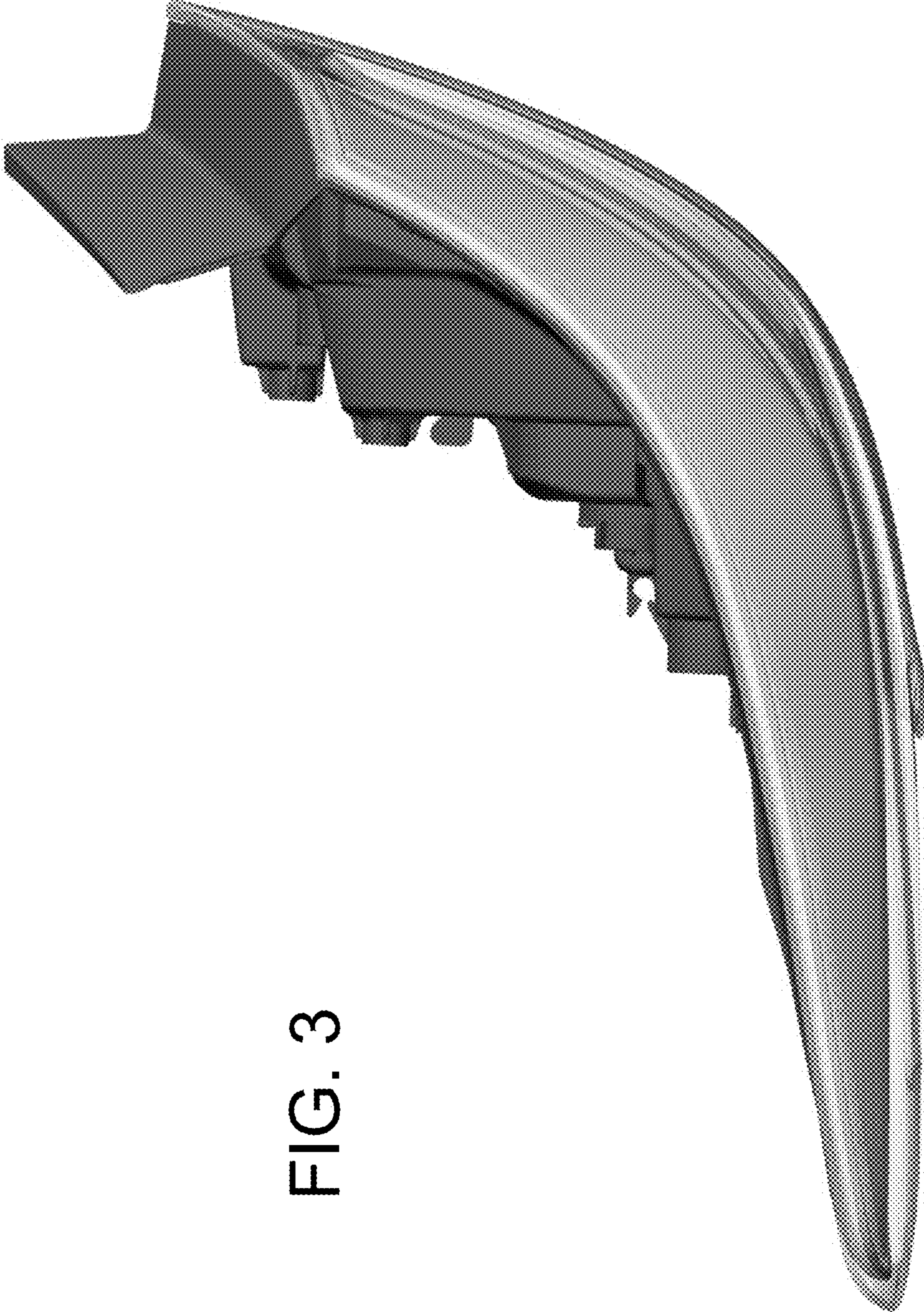


FIG. 3

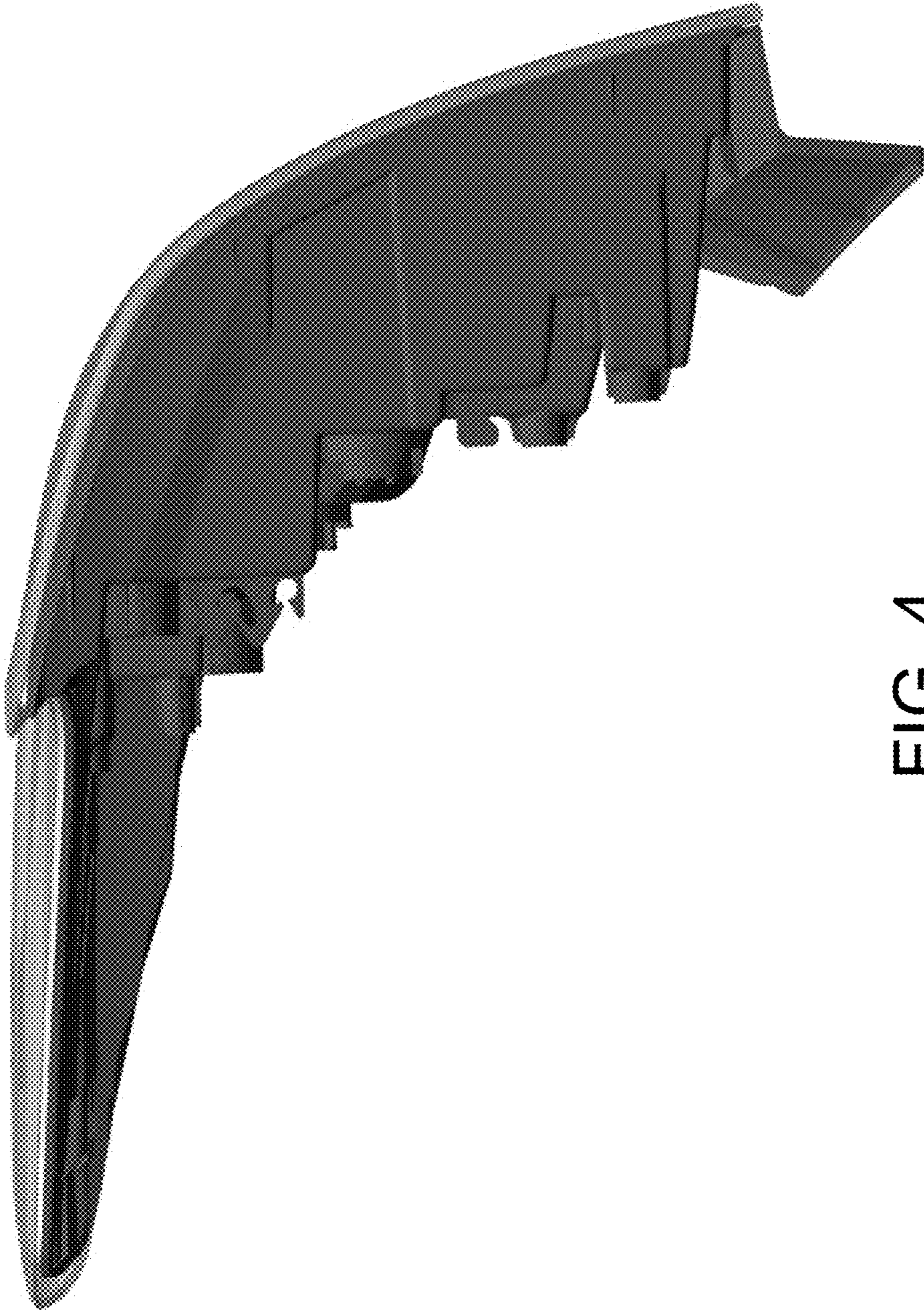


FIG. 4

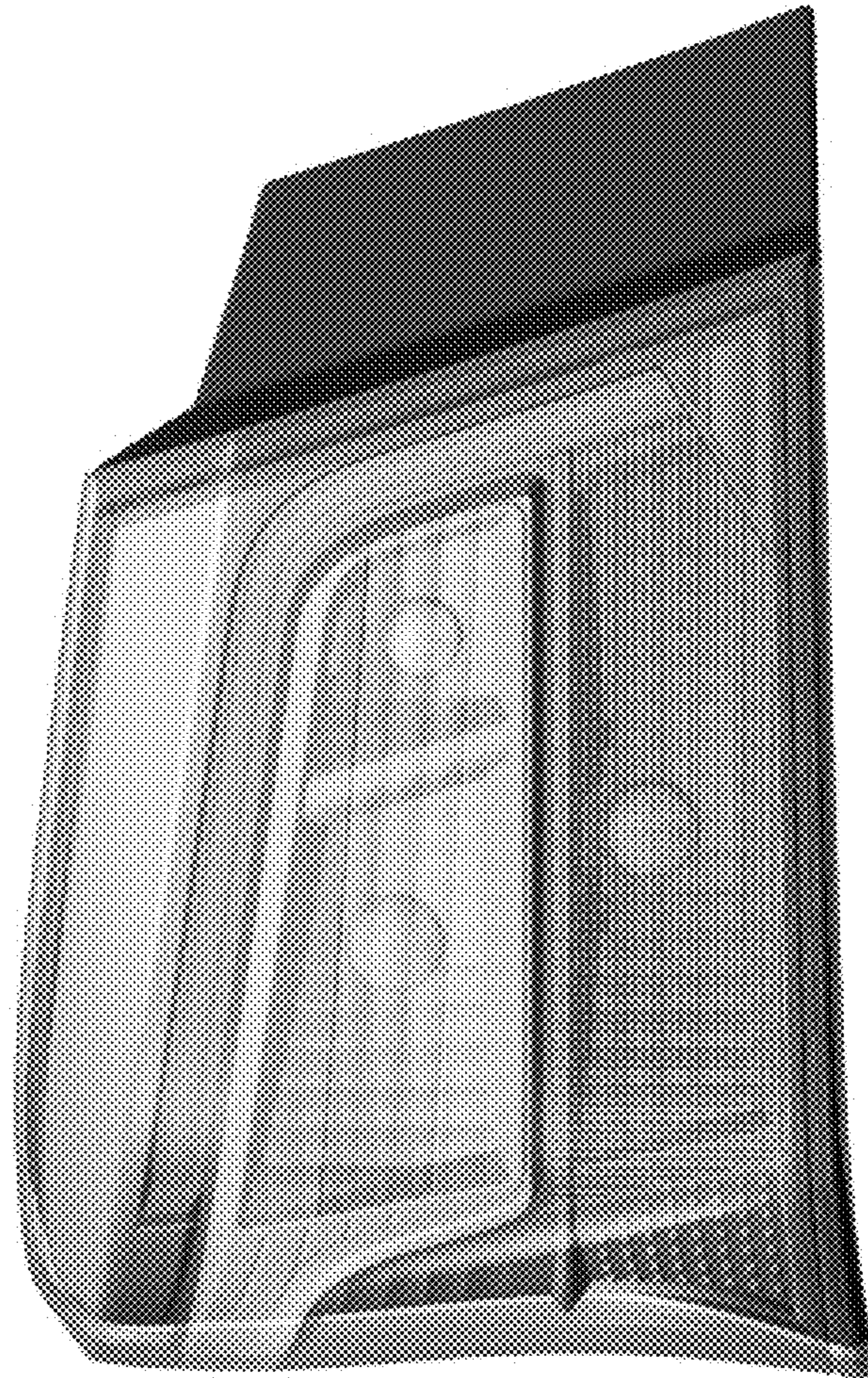


FIG. 5

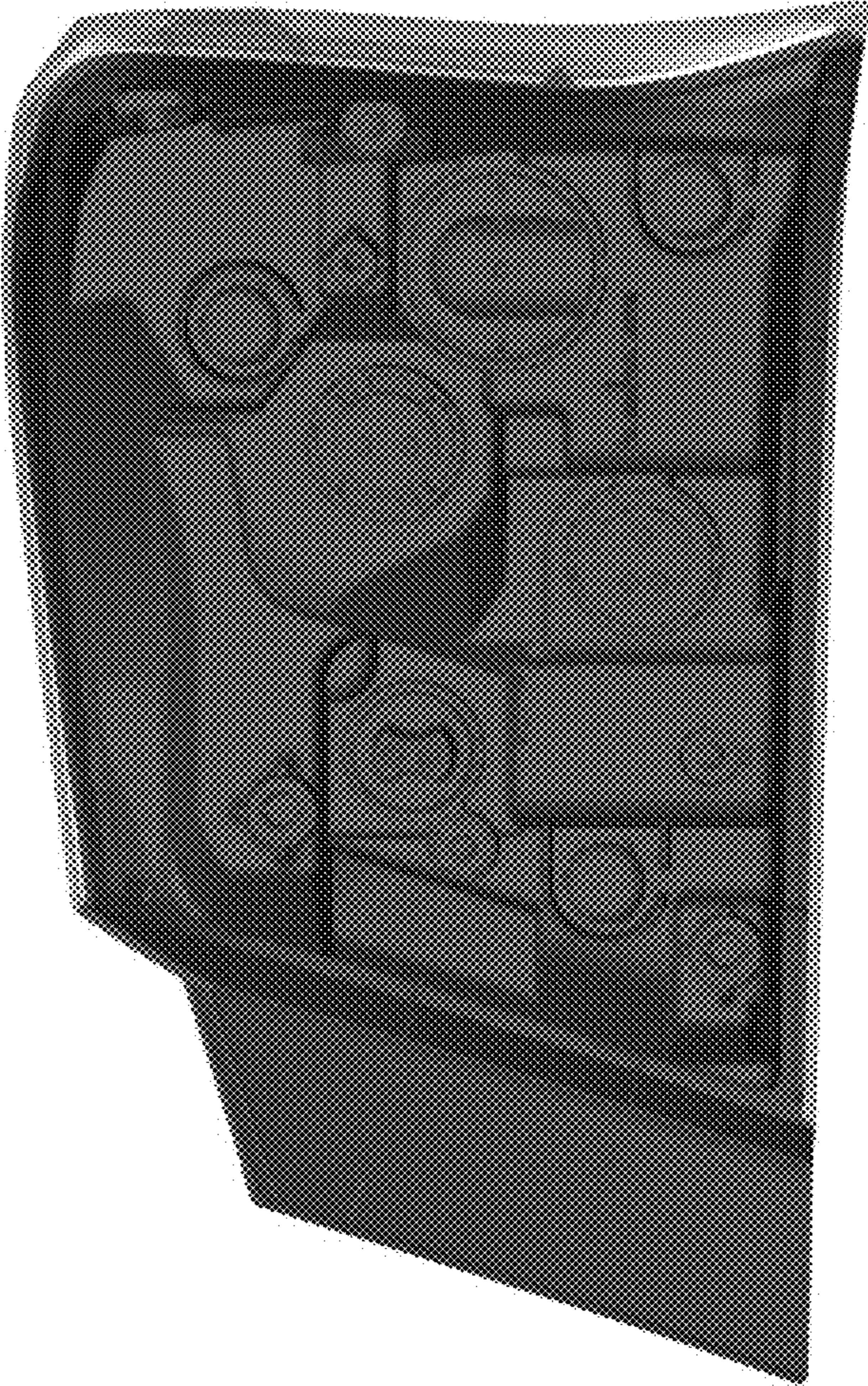


FIG. 6

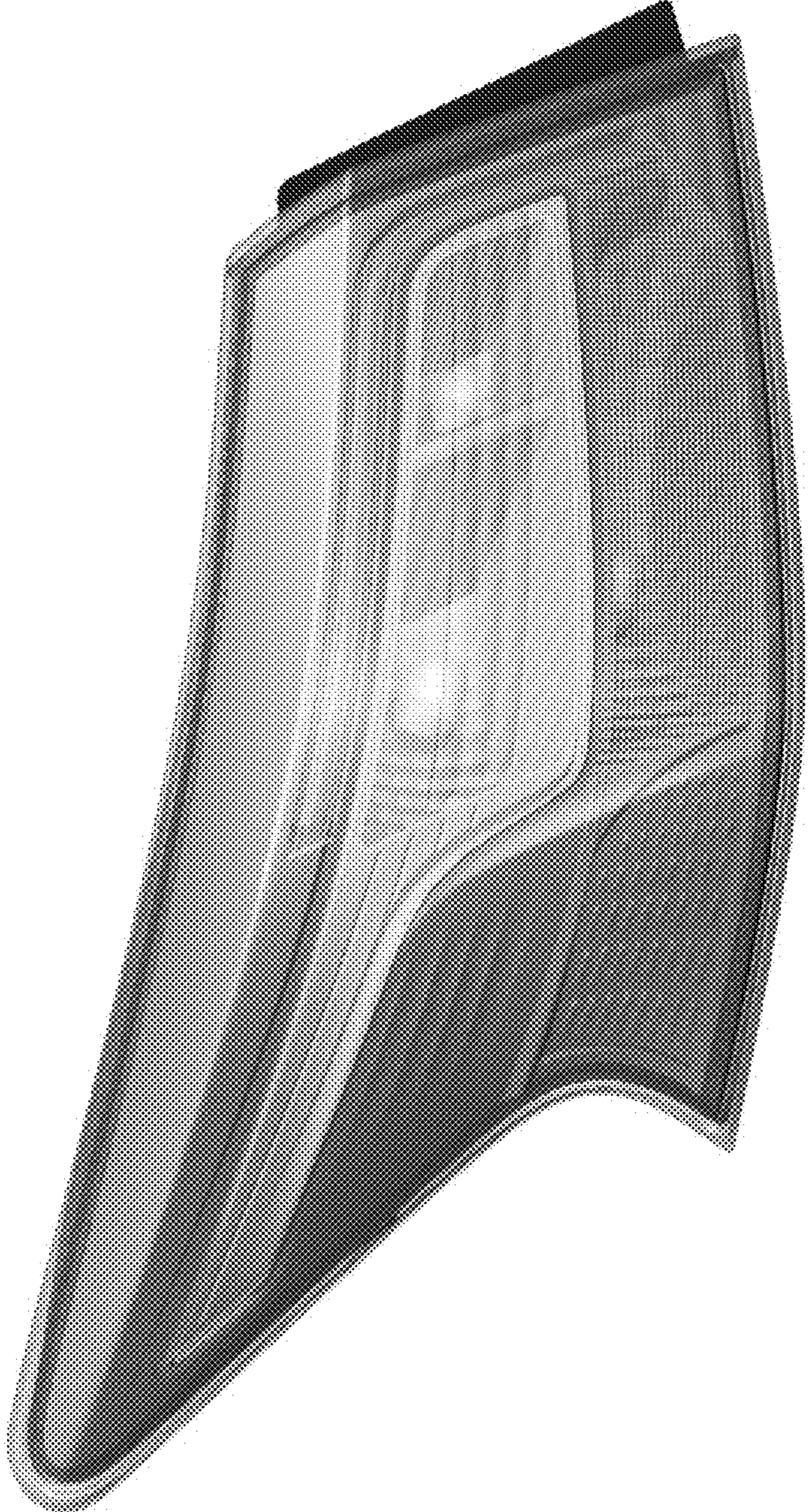


FIG. 7