



US00D774226S

(12) **United States Design Patent** (10) **Patent No.:** **US D774,226 S**
McCabe et al. (45) **Date of Patent:** **** Dec. 13, 2016**

(54) **VEHICLE REAR TAILLAMP**

(71) Applicant: **GM Global Technology Operations LLC**, Detroit, MI (US)

(72) Inventors: **Steven M. McCabe**, Rochester Hills, MI (US); **Garrick Zack**, Troy, MI (US)

(73) Assignee: **GM Global Technology Operations LLC**, Detroit, MI (US)

(**) Term: **15 Years**

(21) Appl. No.: **29/539,608**

(22) Filed: **Sep. 16, 2015**

(51) **LOC (10) Cl.** **26-06**

(52) **U.S. Cl.**
 USPC **D26/28**

(58) **Field of Classification Search**
 USPC D26/28-36; 362/61, 80-83, 267-269, 362/459-468, 475-478, 485-487
 CPC F21S 48/00; F21S 48/10; F21S 48/115; F21S 48/225; F21S 48/1233; F21S 48/1266; F21S 48/1388; F21S 48/2268; F21V 5/00
 See application file for complete search history.

D604,203 S 11/2009 O'Donnell
 D605,082 S 12/2009 Munson
 D605,083 S 12/2009 Manoogian, II et al.
 D605,977 S 12/2009 Zipfel et al.
 D605,978 S 12/2009 Wolff et al.
 D608,249 S 1/2010 Peters
 D608,690 S 1/2010 Folden et al.
 D608,691 S 1/2010 Zak, Jr. et al.
 D609,608 S 2/2010 Boniface et al.
 D611,387 S 3/2010 Thompson et al.
 D611,879 S 3/2010 Kim et al.
 D612,297 S 3/2010 Peters et al.
 D613,645 S 4/2010 Song et al.
 D615,458 S 5/2010 Thompson et al.
 D618,595 S 6/2010 Ware et al.
 D623,090 S 9/2010 Cox et al.
 D627,262 S 11/2010 Ikeda et al.
 D635,488 S 4/2011 Phipps
 D644,147 S 8/2011 Suh et al.
 D644,567 S 9/2011 Kozub
 D657,718 S 4/2012 Zipfel et al.
 D659,052 S 5/2012 Ware et al.
 D659,053 S 5/2012 Ware et al.
 D668,182 S 10/2012 Franco
 D668,183 S 10/2012 Smart

(Continued)

Primary Examiner — Marcus Jackson
 (74) *Attorney, Agent, or Firm* — Reising Ethington P.C.

(57) **CLAIM**
 The ornamental design for a vehicle rear taillamp, as shown and described.

(56) **References Cited**

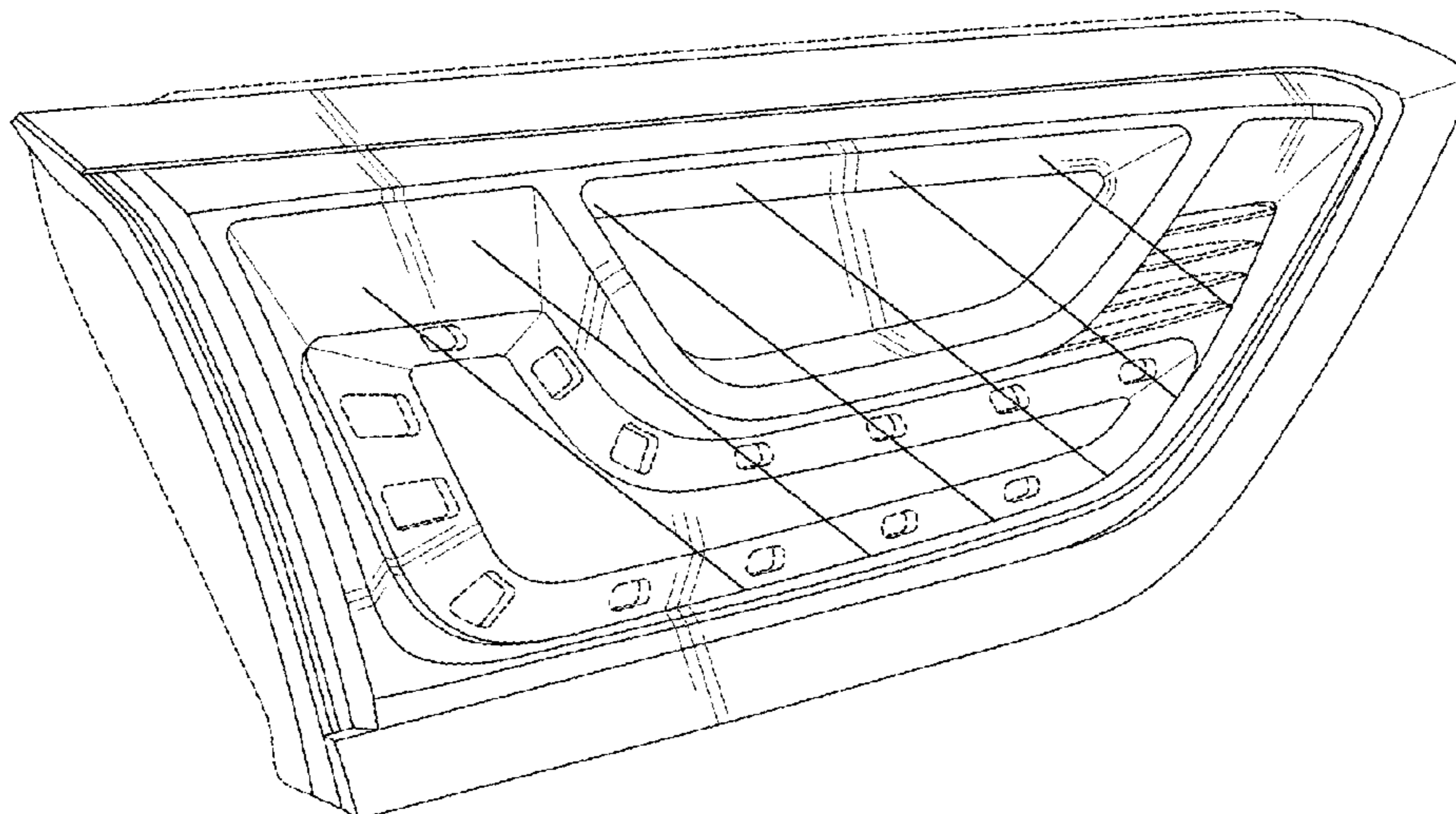
U.S. PATENT DOCUMENTS

D549,363 S * 8/2007 Pfeiffer D26/28
 D552,769 S * 10/2007 Leclercq D26/28
 D553,269 S * 10/2007 Pfeiffer D26/28
 D570,015 S * 5/2008 Hsu D26/28
 D570,742 S 6/2008 Takagi et al.
 D574,524 S * 8/2008 Tomatsu D26/28
 D592,105 S 5/2009 Dean et al.
 D597,447 S 8/2009 Folden
 D600,595 S 9/2009 Nakamura et al.
 D601,925 S 10/2009 O'Donnell
 D603,755 S 11/2009 Peters

DESCRIPTION

FIG. 1 is a perspective view of the vehicle rear taillamp; FIG. 2 is a front view thereof; FIG. 3 is a top view thereof; and, FIG. 4 is a side view thereof. In the drawings, the portions shown by broken lines form no part of the claimed design.

1 Claim, 2 Drawing Sheets



(56)

References Cited

U.S. PATENT DOCUMENTS

D678,820 S	3/2013	Song et al.	D713,298 S	9/2014	Dyson
D678,821 S	3/2013	Ikeda et al.	D713,764 S	9/2014	Ferlazzo
D680,909 S	4/2013	Munson et al.	D716,696 S	11/2014	Thole et al.
D680,910 S	4/2013	David	D716,706 S	11/2014	Thole et al.
D684,899 S	6/2013	Baker	D716,709 S	11/2014	Thole et al.
D686,536 S	7/2013	McCabe et al.	D717,696 S	11/2014	Thole et al.
D692,798 S	11/2013	Thurber	D718,189 S	11/2014	Krieg et al.
D692,799 S	11/2013	Smith et al.	D718,683 S	12/2014	Thole et al.
D696,157 S	12/2013	Loeb	D722,282 S	2/2015	Loeb
D699,629 S	2/2014	Ikeda et al.	D722,533 S	2/2015	Thole et al.
D700,871 S	3/2014	O'Donnell et al.	D722,534 S	2/2015	Munson et al.
D703,103 S	4/2014	Lee	D724,510 S	3/2015	McMahan et al.
D704,103 S	5/2014	Mack et al.	D725,001 S	3/2015	McMahan et al.
D705,132 S	5/2014	Ware et al.	D730,776 S	6/2015	Smart
D705,699 S	5/2014	Ware et al.	D730,783 S	6/2015	Henriques et al.
			D732,435 S	6/2015	Mackay
			D735,627 S	8/2015	Smith
			D736,451 S	8/2015	Smith

* cited by examiner

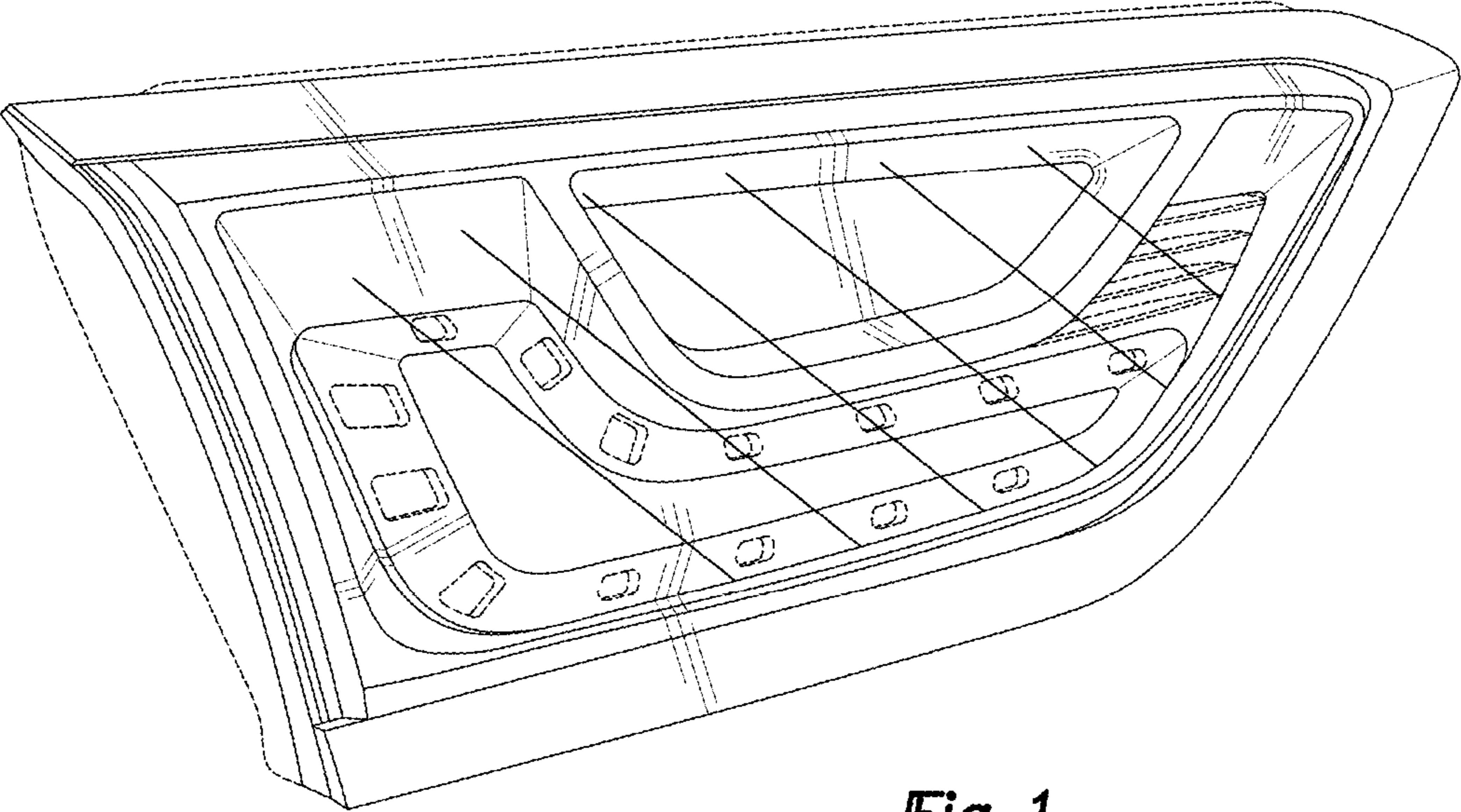


Fig. 1

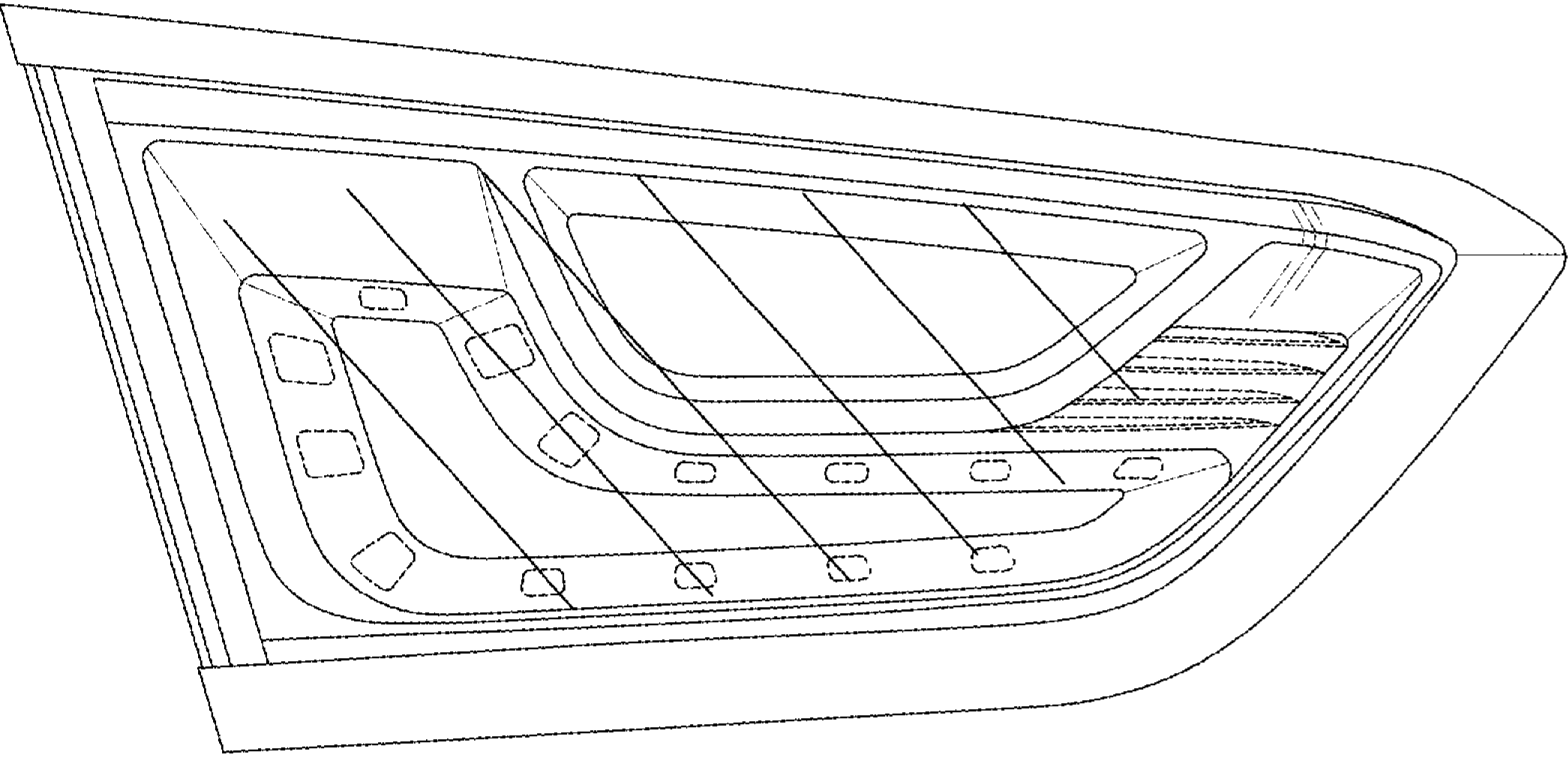


Fig. 2

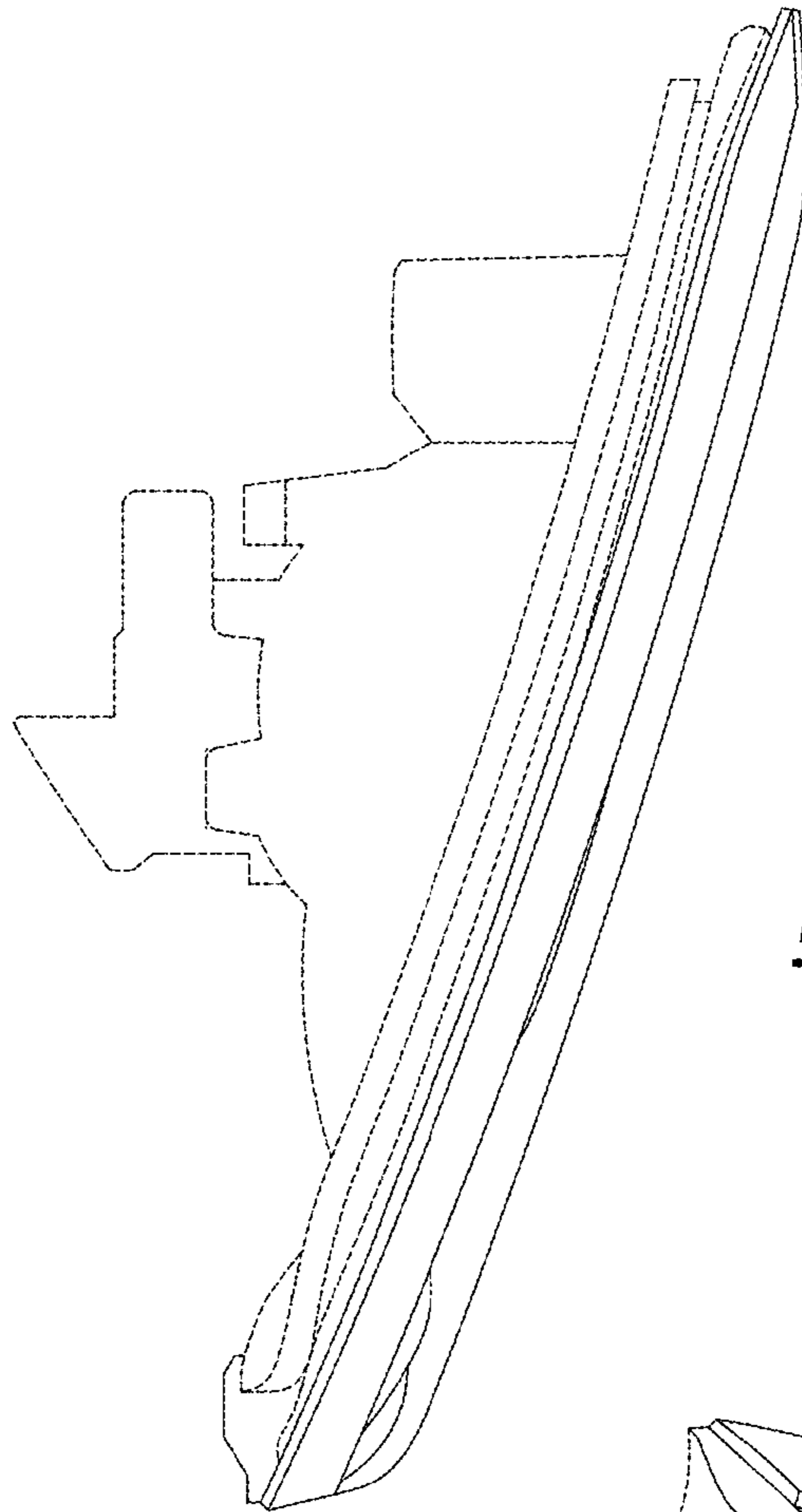


Fig. 3

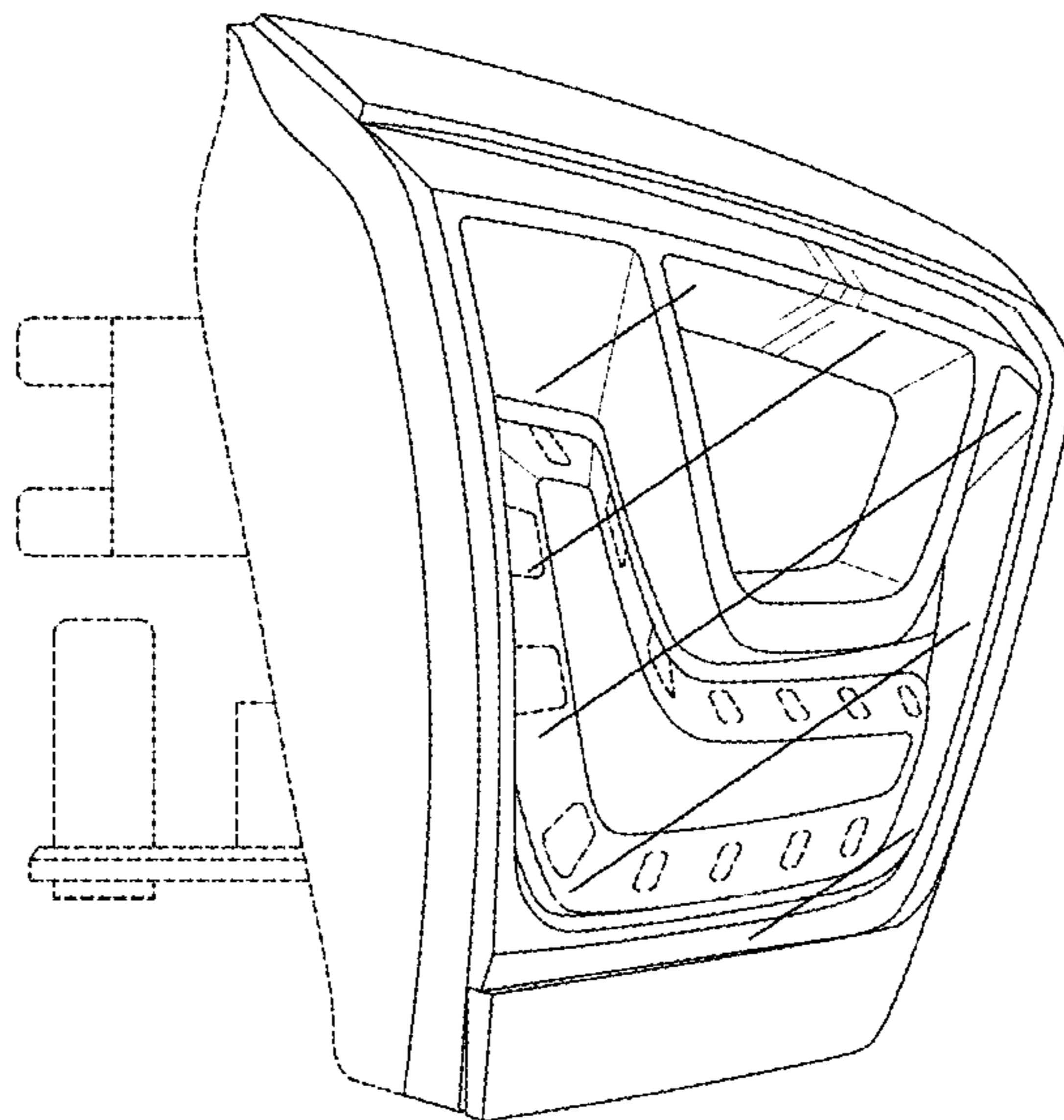


Fig. 4