



US00D774219S

(12) **United States Design Patent**  
**Lim et al.**

(10) **Patent No.:** **US D774,219 S**  
(45) **Date of Patent:** **\*\* Dec. 13, 2016**

(54) **REAR COMBINATION LAMP FOR AUTOMOBILES**

(71) Applicant: **Kia Motors Corporation**, Seoul (KR)

(72) Inventors: **Jung-Wook Lim**, Seoul (KR);  
**Soo-Woon Jeon**, Seoul (KR)

(73) Assignee: **Kia Motors Corporation**, Seoul (KR)

(\*\*) Term: **15 Years**

(21) Appl. No.: **29/534,596**

(22) Filed: **Jul. 30, 2015**

(30) **Foreign Application Priority Data**

Feb. 16, 2015 (KR) ..... 30-2015-0008350

(51) **LOC (10) Cl.** ..... **26-06**

(52) **U.S. Cl.**  
USPC ..... **D26/28**

(58) **Field of Classification Search**  
USPC ..... D26/28-36; 362/459-468, 475-478,  
362/485-487  
CPC ..... F21S 48/00; F21S 48/10; F21S 48/115;  
F21S 48/225; F21S 48/1233; F21S  
48/1266; F21S 48/1388; F21S 48/2268;  
F21V 21/04  
See application file for complete search history.

(56) **References Cited**

**U.S. PATENT DOCUMENTS**

D719,691 S \* 12/2014 Nordmann ..... D26/28  
D740,976 S \* 10/2015 Ko ..... D26/28

D740,979 S \* 10/2015 Lee ..... D26/28  
D749,251 S \* 2/2016 Nakahara ..... D26/28  
D749,761 S \* 2/2016 Sa ..... D26/28  
D749,762 S \* 2/2016 Sa ..... D26/28  
D749,765 S \* 2/2016 Sa ..... D26/28  
D757,967 S \* 5/2016 Kim ..... D26/28  
D759,863 S \* 6/2016 Shim ..... D26/28  
D760,408 S \* 6/2016 Arroba ..... D26/28  
D760,409 S \* 6/2016 Arroba ..... D26/28  
D761,455 S \* 7/2016 Futschik ..... D26/28

\* cited by examiner

*Primary Examiner* — Angela J Lee

(74) *Attorney, Agent, or Firm* — Mintz Levin Cohn Ferris  
Glovsky and Popeo, P.C.; Kongsik Kim

(57) **CLAIM**

The ornamental design for a rear combination lamp for automobiles, as shown and described.

**DESCRIPTION**

FIG. 1 is a perspective view of a rear combination lamp for automobiles according to the present invention.

FIG. 2 is a front view of the rear combination lamp for automobiles of FIG. 1.

FIG. 3 is a rear view of the rear combination lamp for automobiles of FIG. 1.

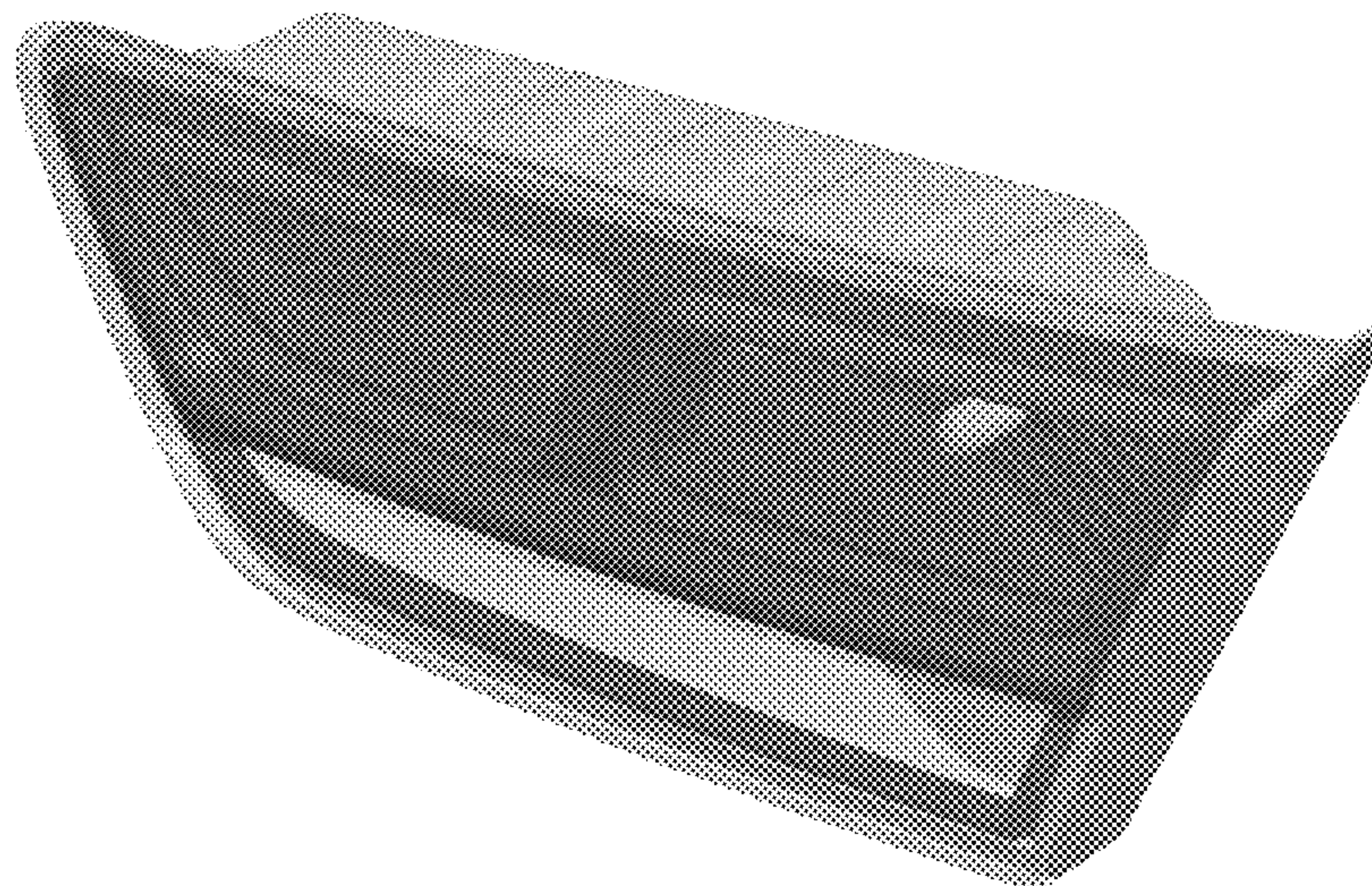
FIG. 4 is a left side view of the rear combination lamp for automobiles of FIG. 1.

FIG. 5 is a right side view of the rear combination lamp for automobiles of FIG. 1.

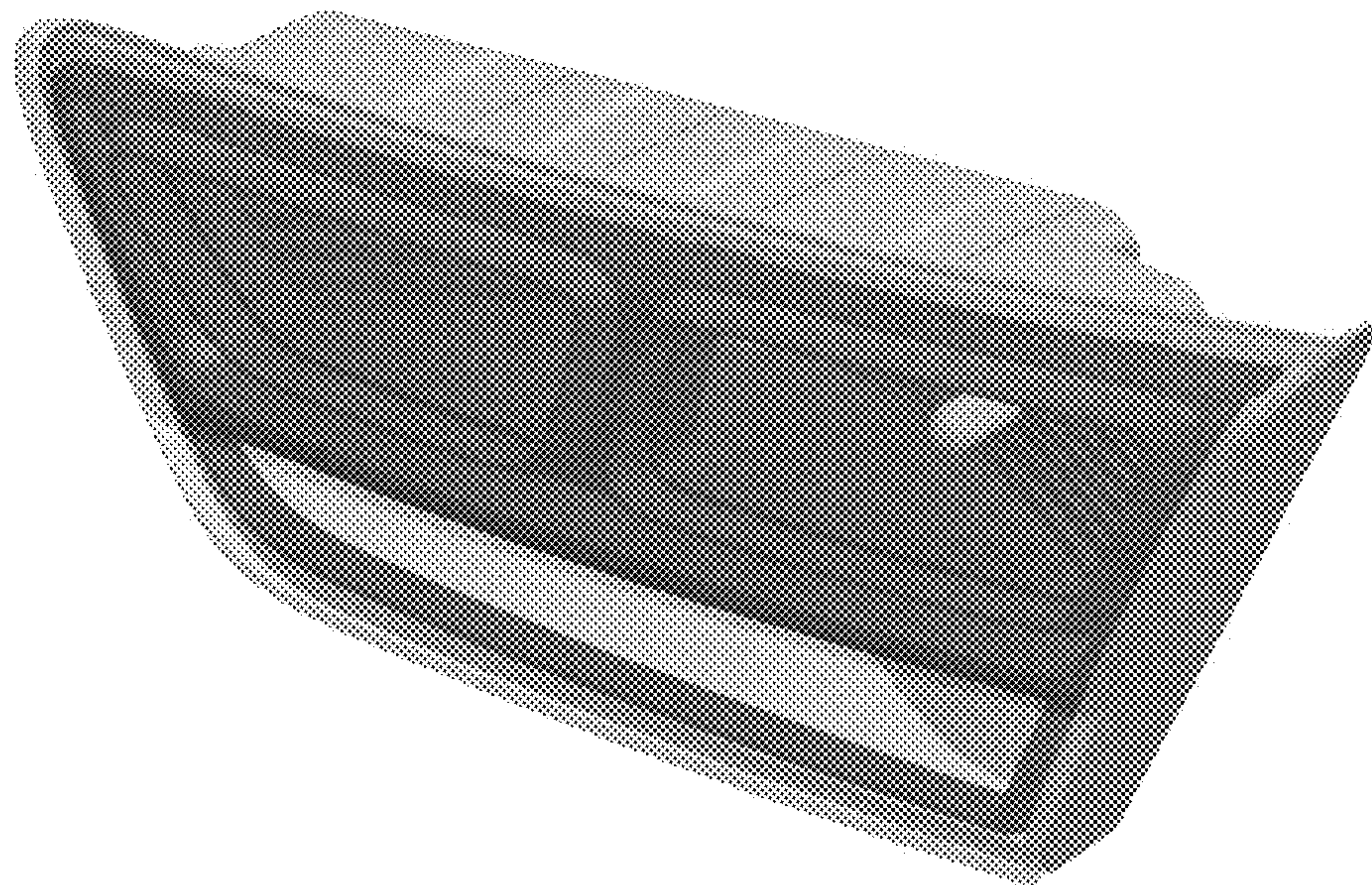
FIG. 6 is a top view of the rear combination lamp for automobiles of FIG. 1; and,

FIG. 7 is a bottom view of the rear combination lamp for automobiles of FIG. 1.

**1 Claim, 7 Drawing Sheets**

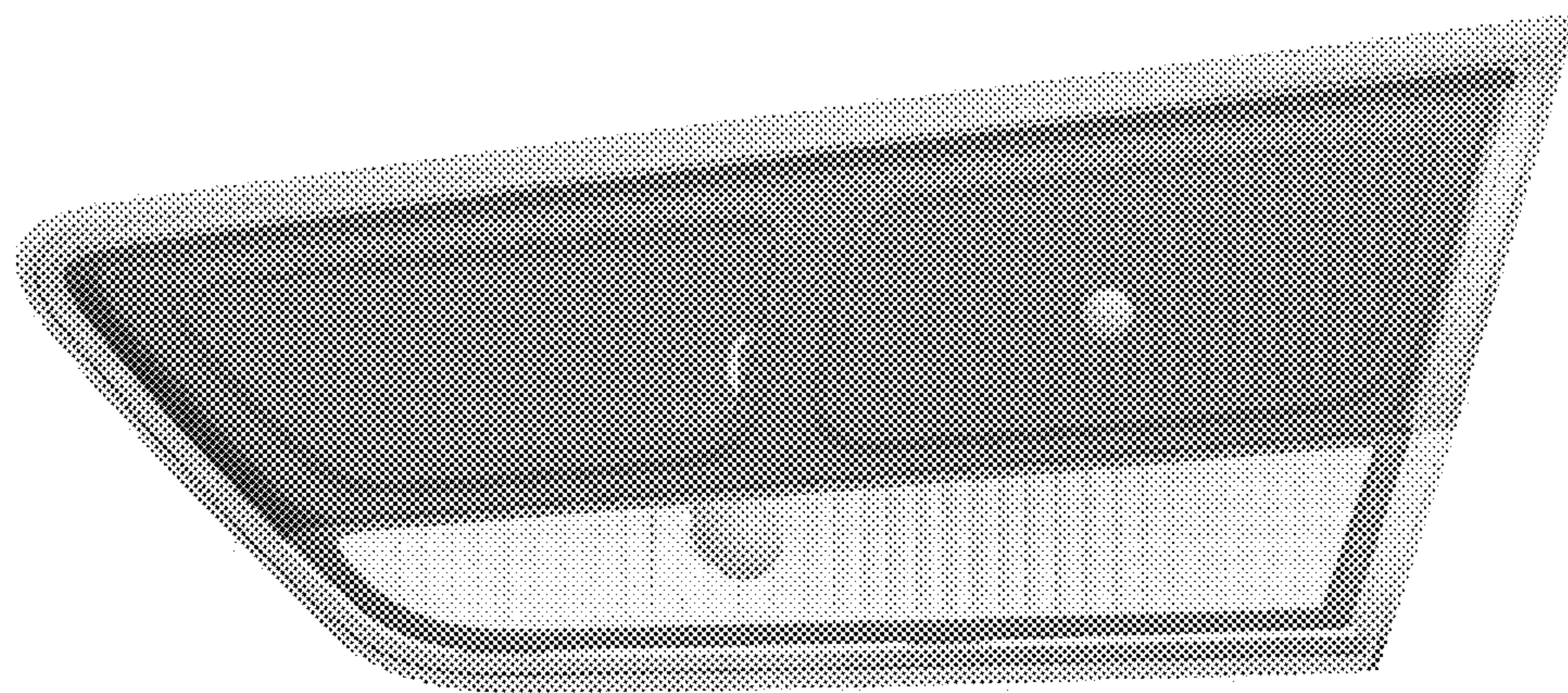


**FIG. 1**

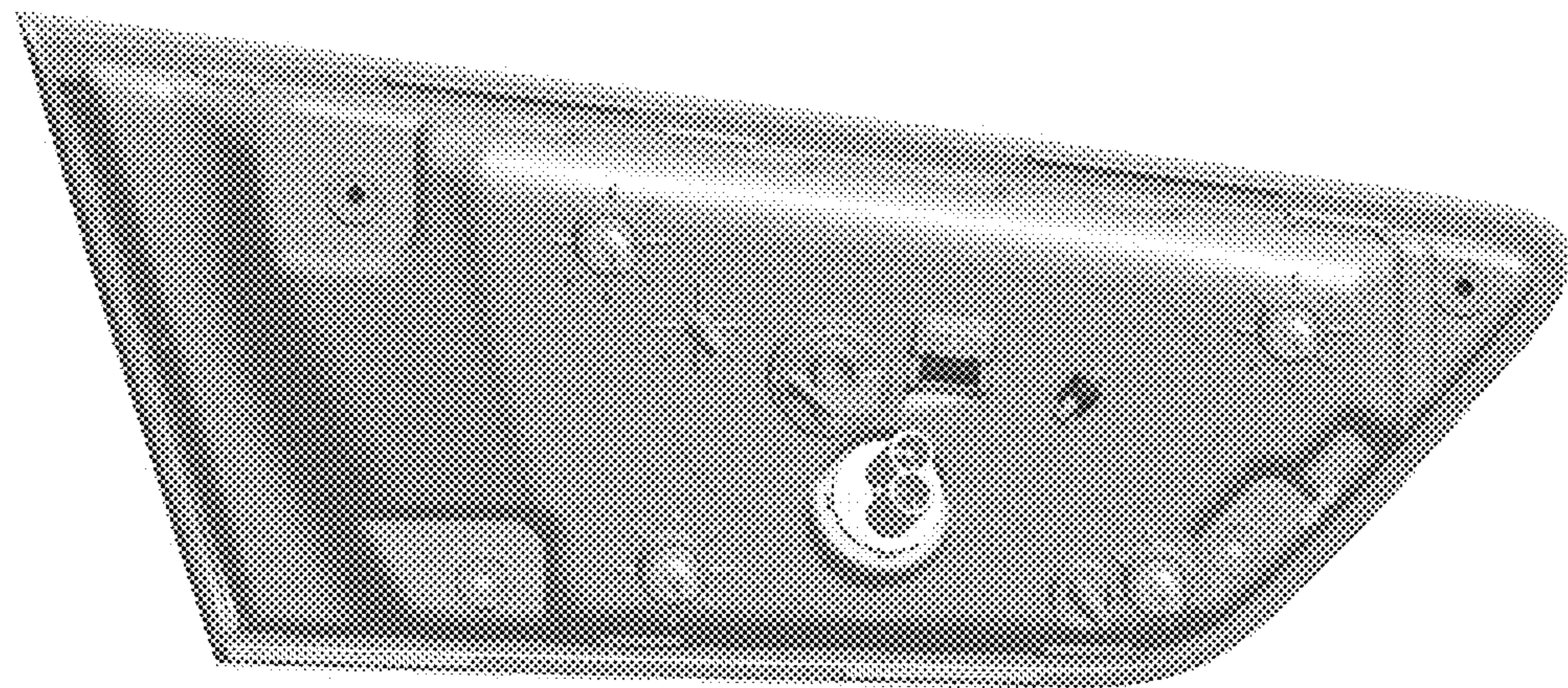




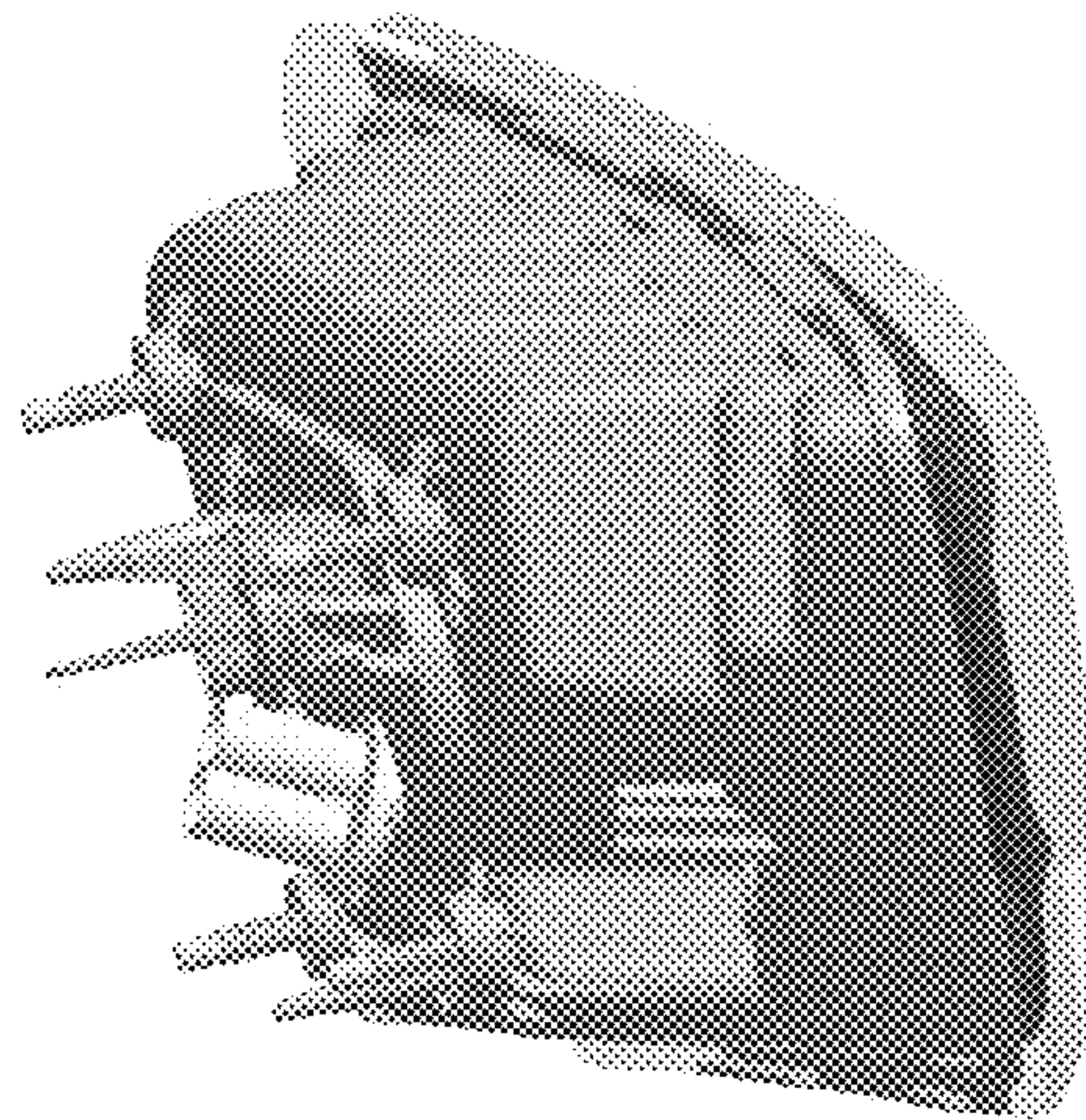
**FIG. 2**



**FIG. 3**

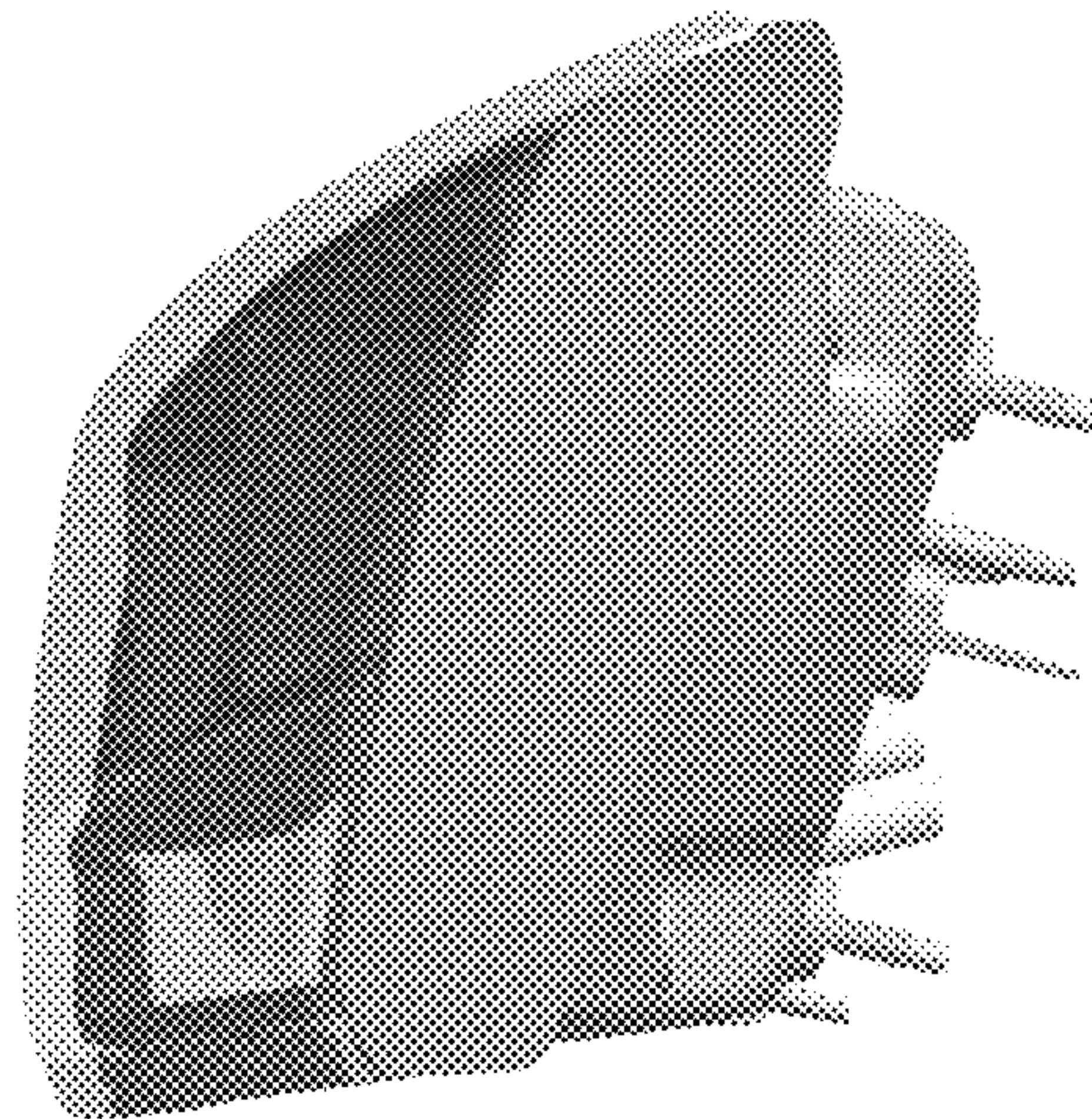


**FIG. 4**

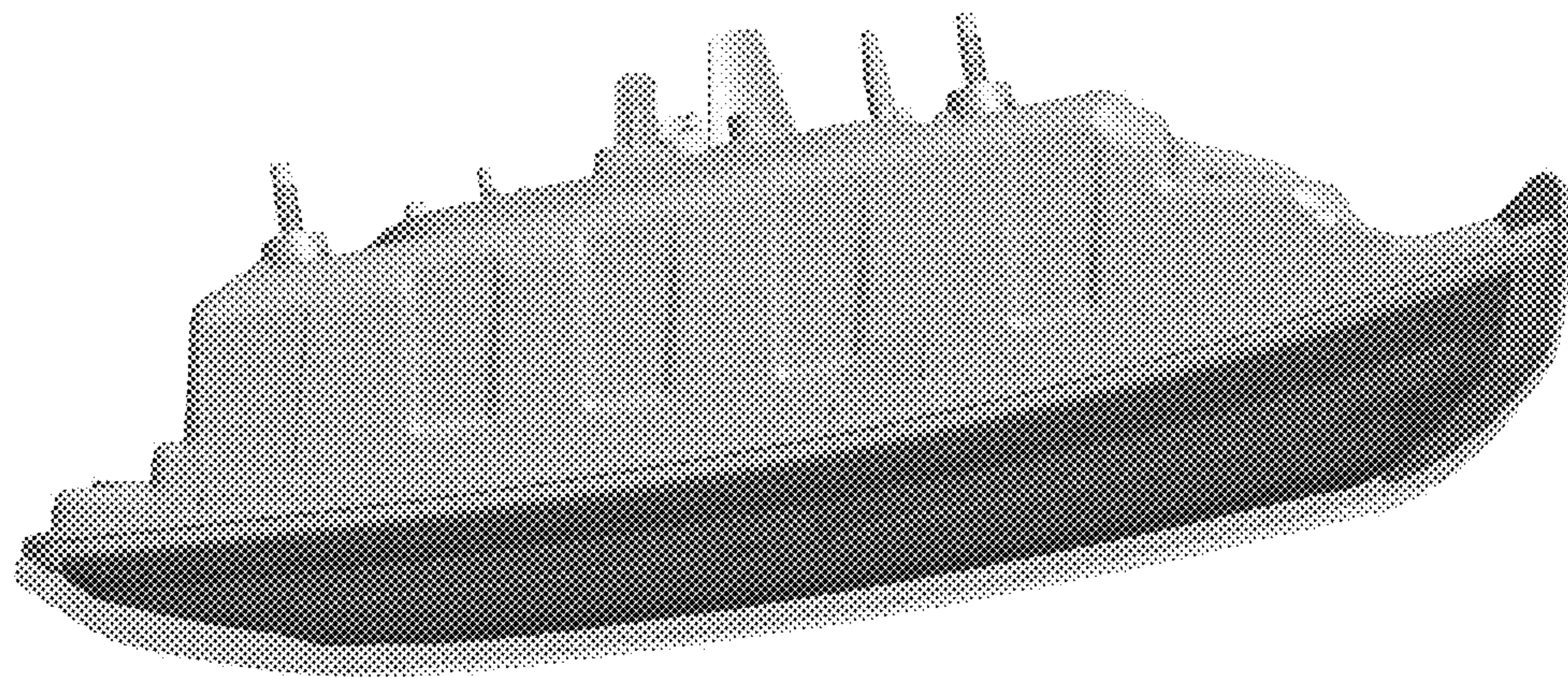




**FIG. 5**



**FIG. 6**



**FIG. 7**

