



US00D774218S

(12) **United States Design Patent** (10) **Patent No.:** **US D774,218 S**
Imperial (45) **Date of Patent:** **** Dec. 13, 2016**

(54) **CANDLESTICK HOLDER**

(74) *Attorney, Agent, or Firm* — Robert C. Montgomery;
Montgomery Patent & Design

(71) Applicant: **Patricia W. Imperial**, Prospect, KY
(US)

(57) **CLAIM**

(72) Inventor: **Patricia W. Imperial**, Prospect, KY
(US)

The ornamental design for a candlestick holder, as shown
and described.

(**) Term: **15 Years**

DESCRIPTION

(21) Appl. No.: **29/530,545**

(22) Filed: **Jun. 17, 2015**

Related U.S. Application Data

(63) Continuation-in-part of application No. 13/600,423,
filed on Aug. 31, 2012, now abandoned.

(51) **LOC (10) Cl.** **26-01**

(52) **U.S. Cl.**
USPC **D26/9**

(58) **Field of Classification Search**
USPC D26/6-23, 96

(Continued)

(56) **References Cited**

U.S. PATENT DOCUMENTS

4,445,845 A * 5/1984 Serizawa F21V 35/00
248/188.7

5,014,865 A * 5/1991 Sauber F21V 35/00
215/377

2012/0205331 A1 * 8/2012 Stejskal F21V 35/00
211/60.1

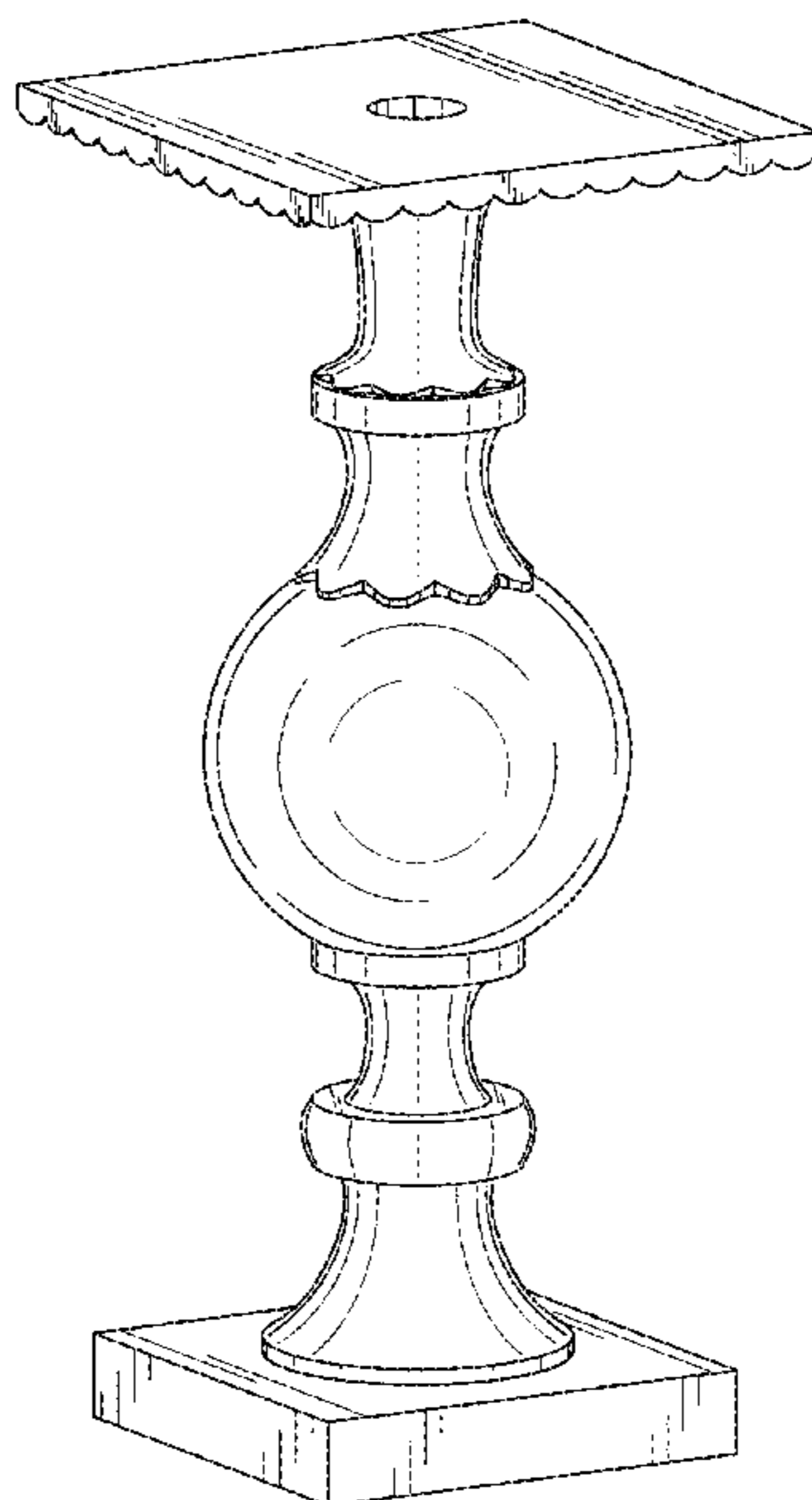
* cited by examiner

Primary Examiner — T. Chase Nelson

Assistant Examiner — Ania Aman

FIG. 1 is a perspective front view of the candlestick holder,
showing my new design;
FIG. 2 is a front side perspective exploded view thereof;
FIG. 3 is a back side perspective exploded view thereof;
FIG. 4 is a right side view with the left side view being a
mirror image thereof of the candle platform;
FIG. 5 is a right side view with the left side view being a
mirror image thereof of the second extension piece;
FIG. 6 is a right side view with the left side view being a
mirror image thereof of the first decorative piece;
FIG. 7 is a right side view with the left side view being a
mirror image thereof of the first extension piece;
FIG. 8 is a right side view with the left side view being a
mirror image thereof of the base section piece;
FIG. 9 is a top side view of the candle platform;
FIG. 10 is a top side view of the second extension piece;
FIG. 11 is a top side view of the first decorative piece;
FIG. 12 is a top side view of the first extension piece;
FIG. 13 is a top side view of the base section piece;
FIG. 14 is a bottom side view of the candle platform;
FIG. 15 is a bottom side view of the second extension piece;
FIG. 16 is a bottom side view of the first decorative piece;
FIG. 17 is a bottom side view of the first extension piece;
and,
FIG. 18 is a bottom side view of the base section piece.

1 Claim, 5 Drawing Sheets



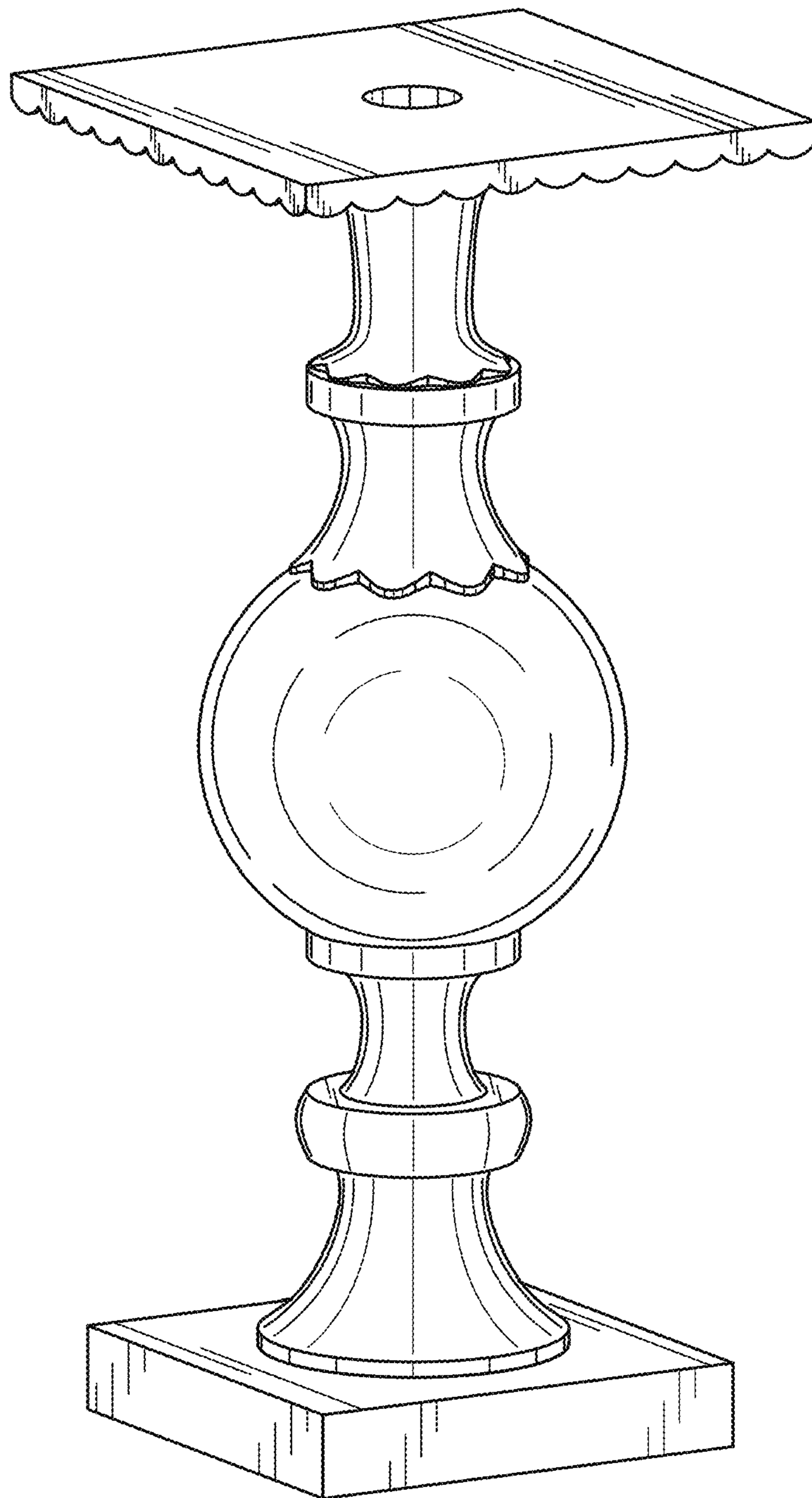


FIG. 1

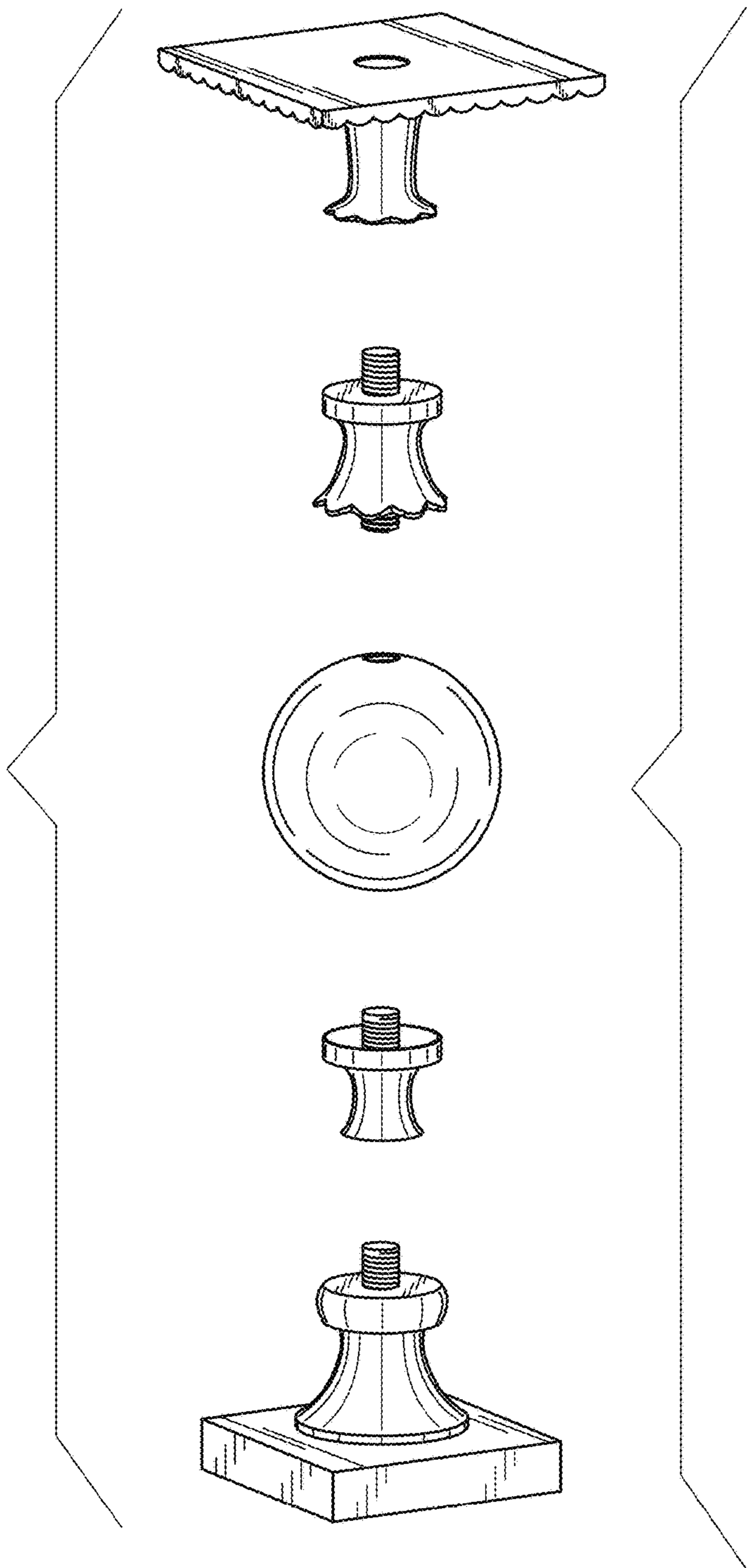


FIG. 2

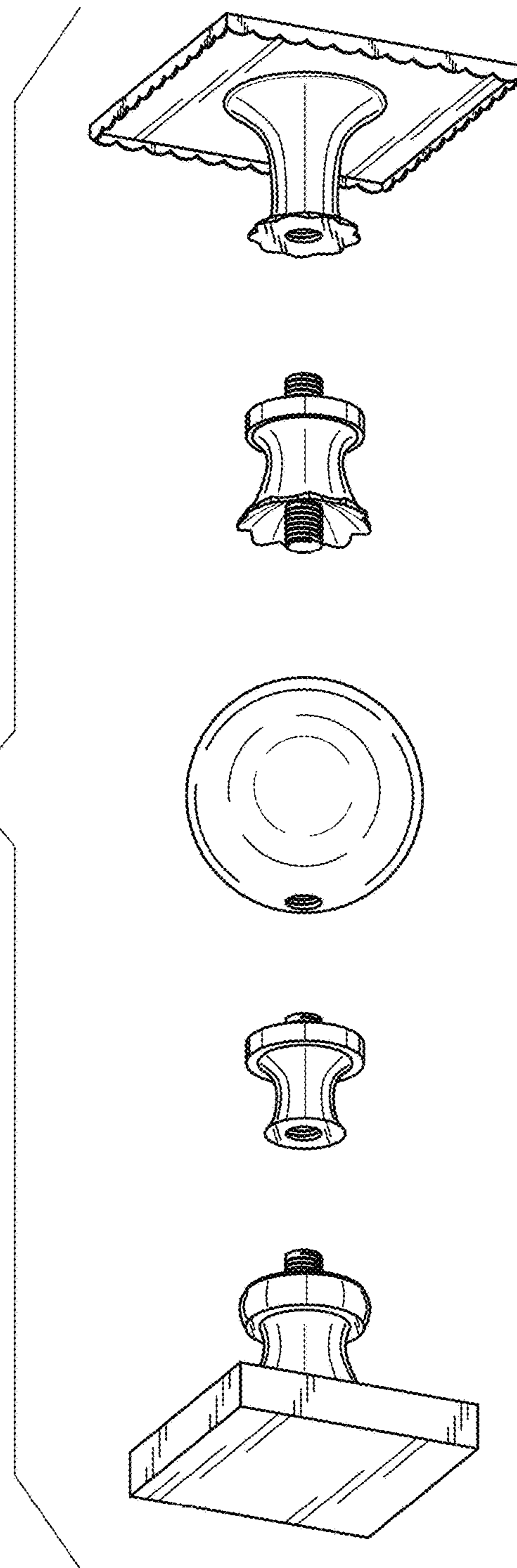


FIG. 3

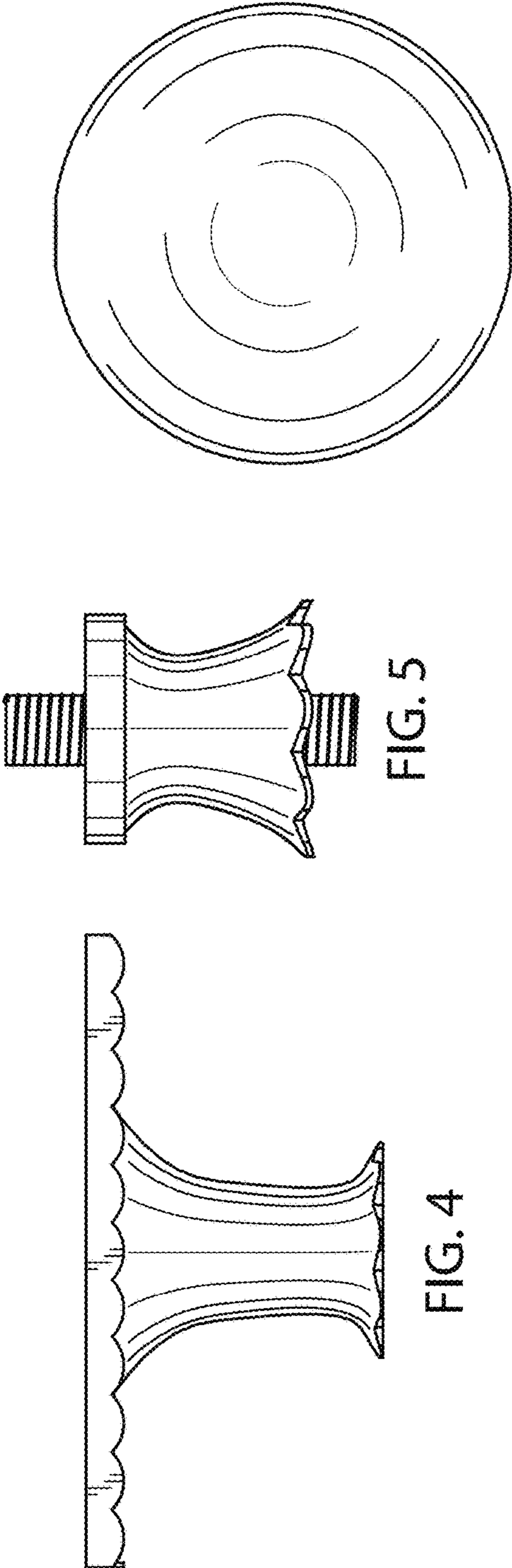


FIG. 5

FIG. 4

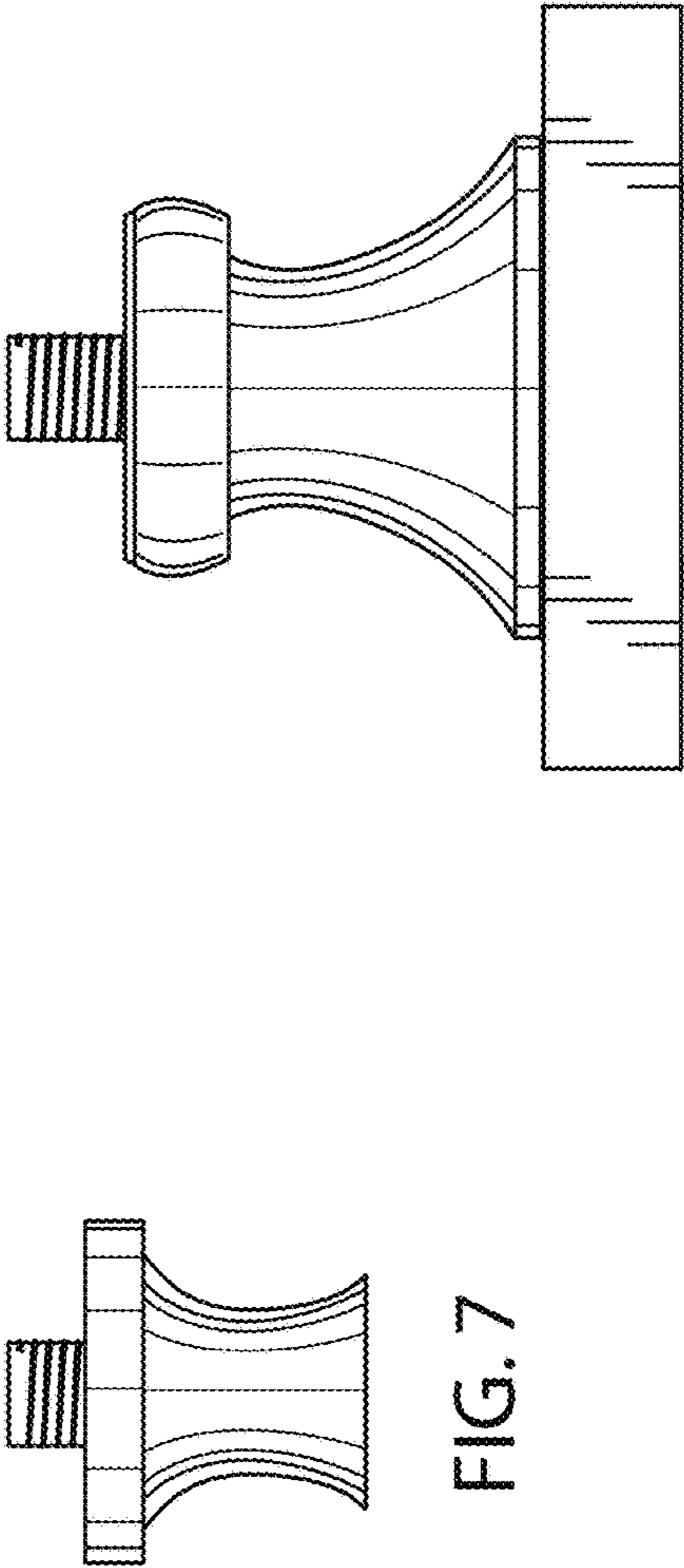


FIG. 7

FIG. 8

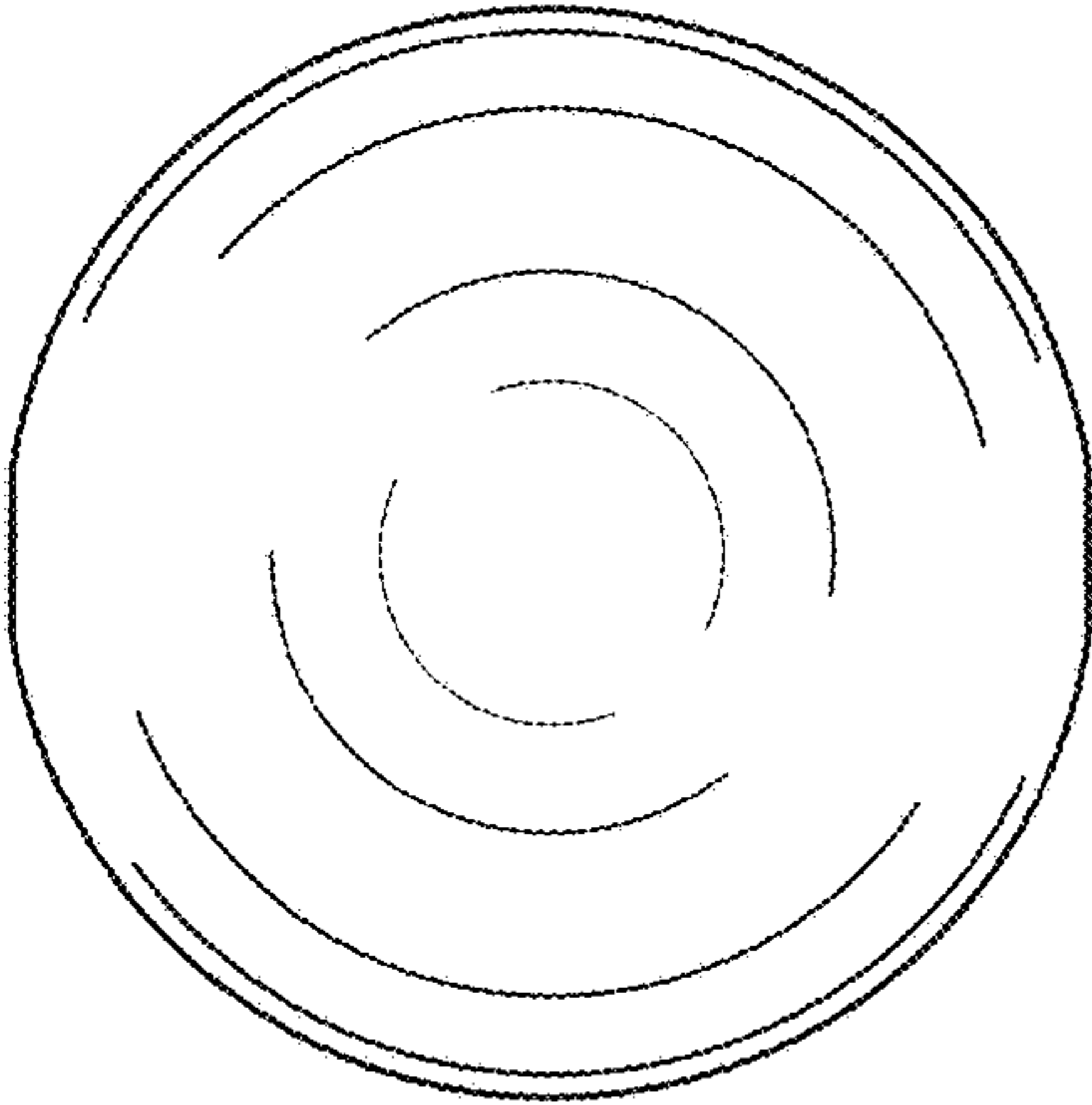


FIG. 6

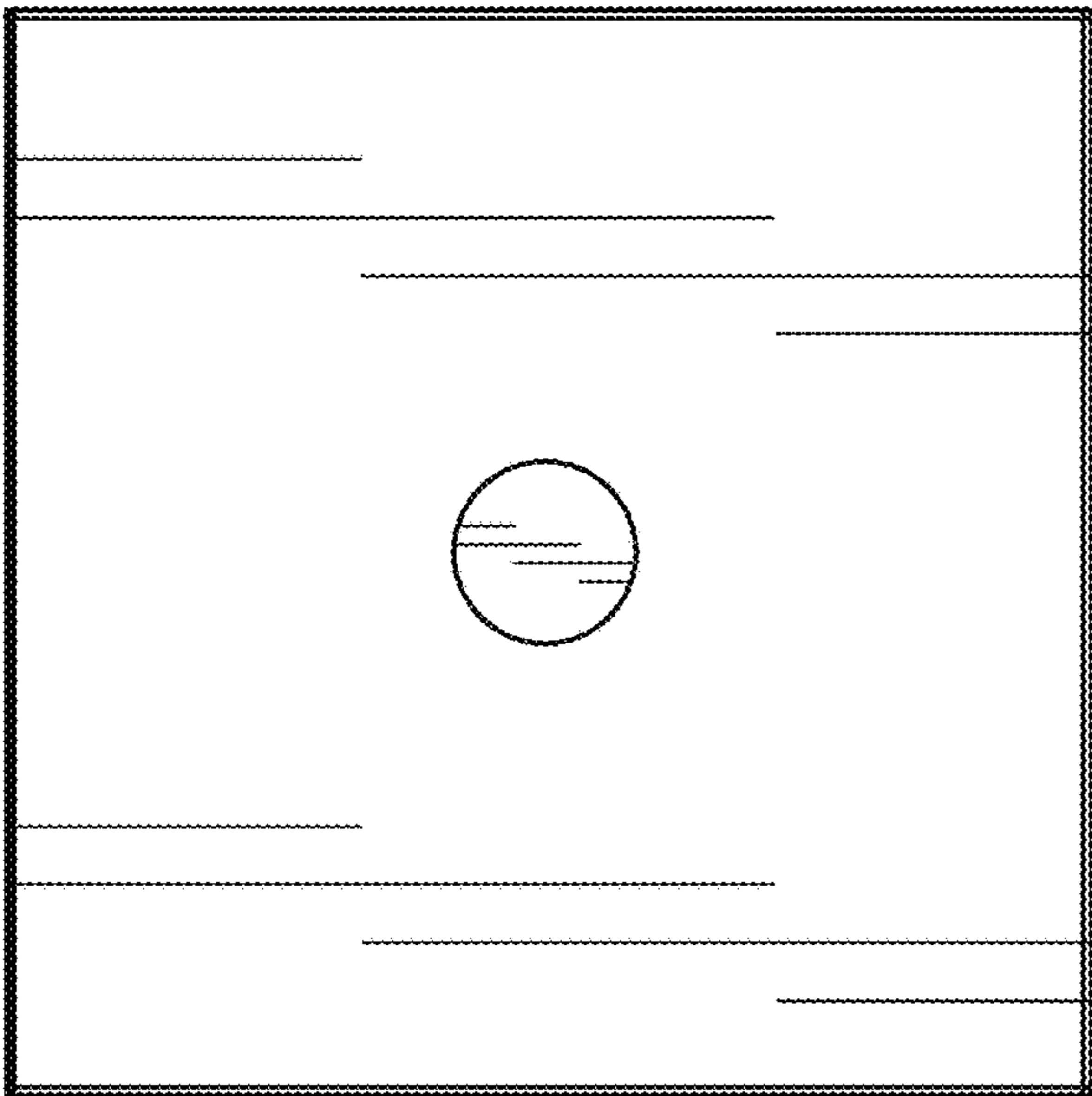


FIG. 9

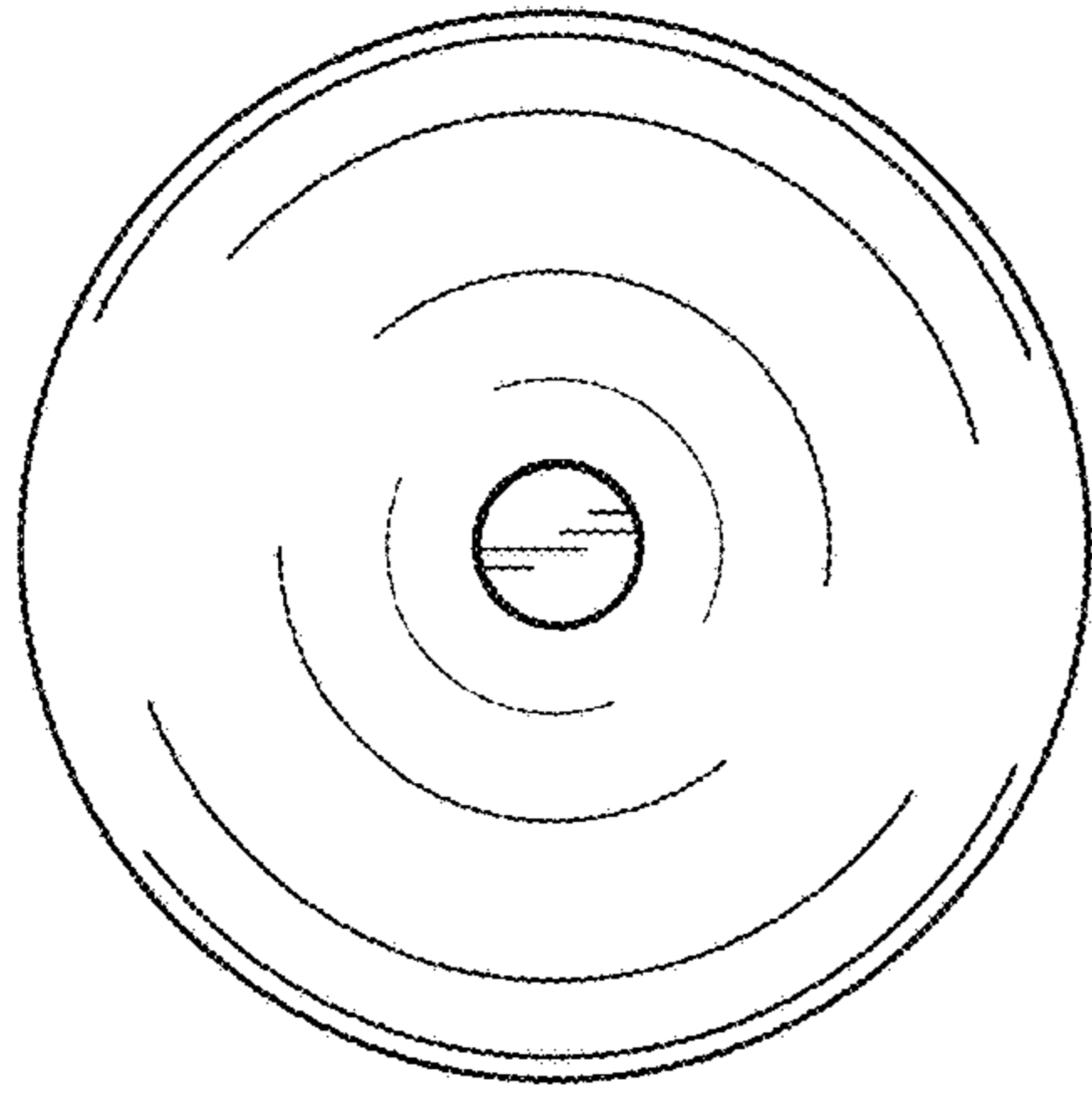


FIG. 11

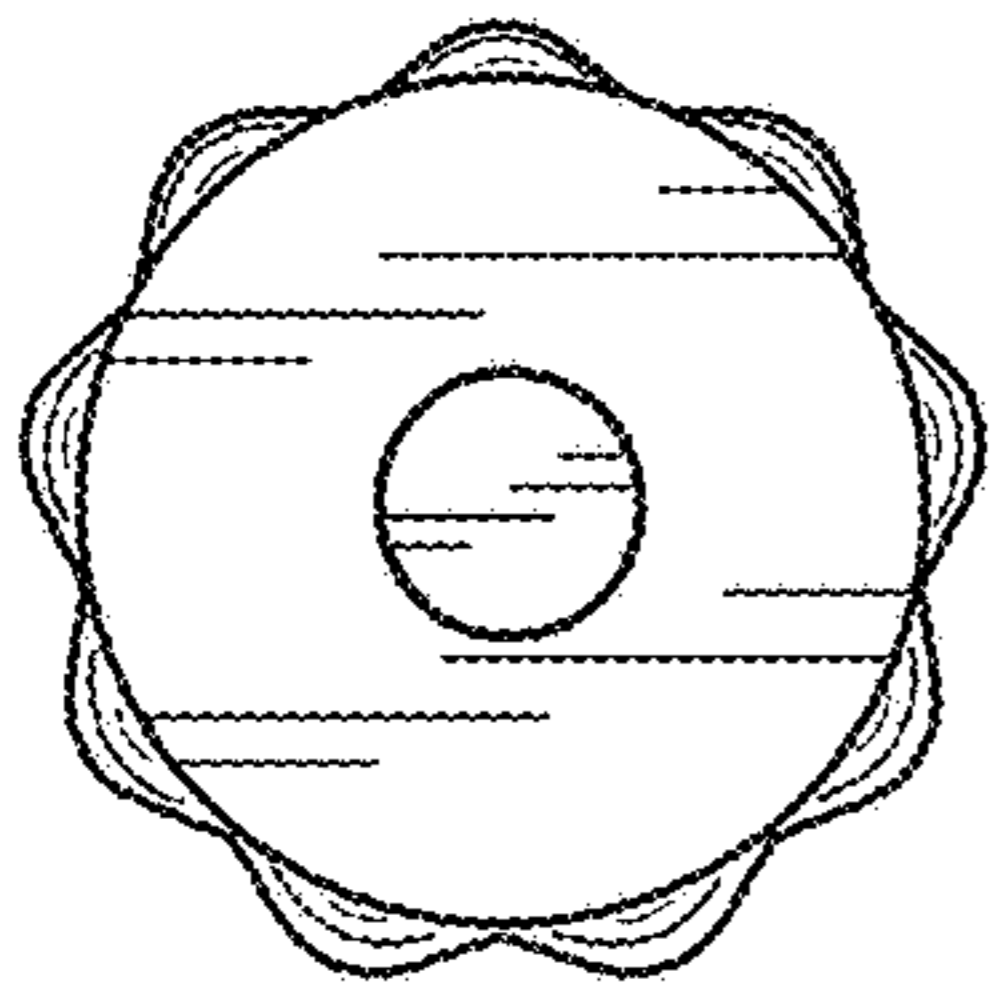


FIG. 10

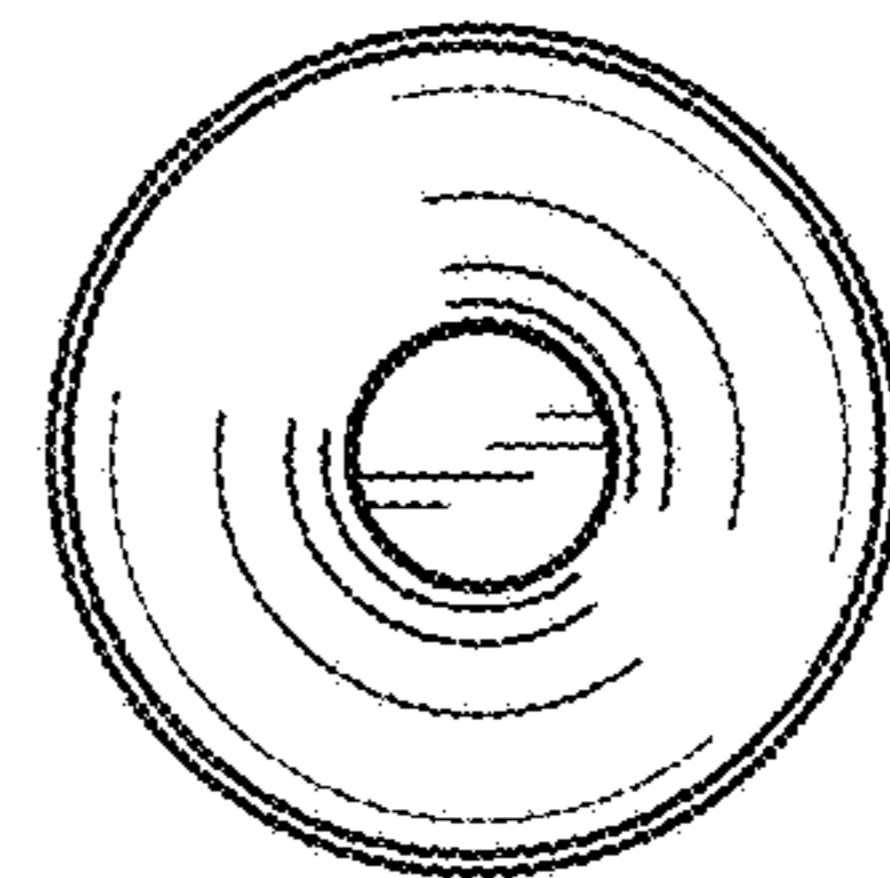


FIG. 12

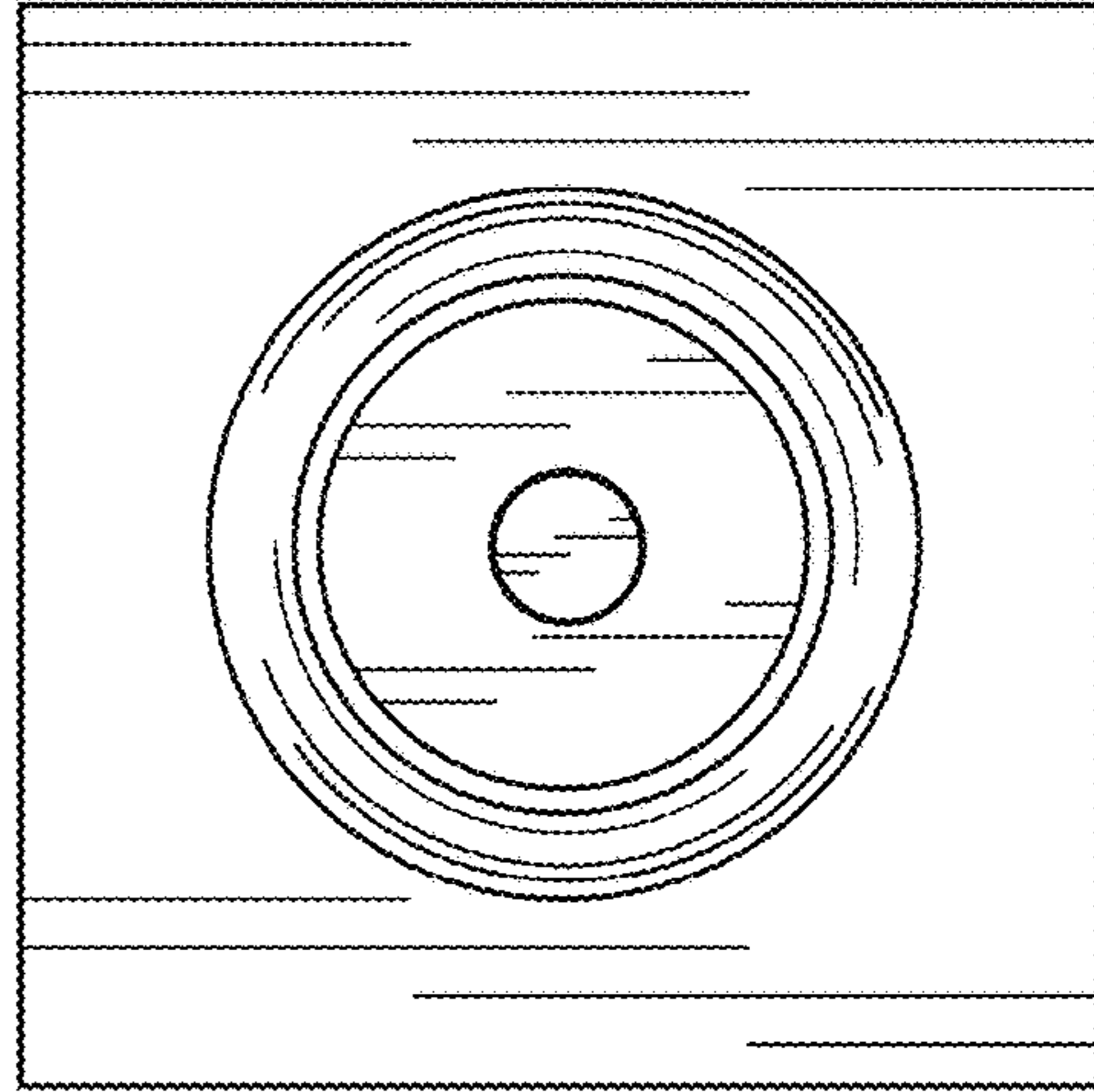


Fig. 13

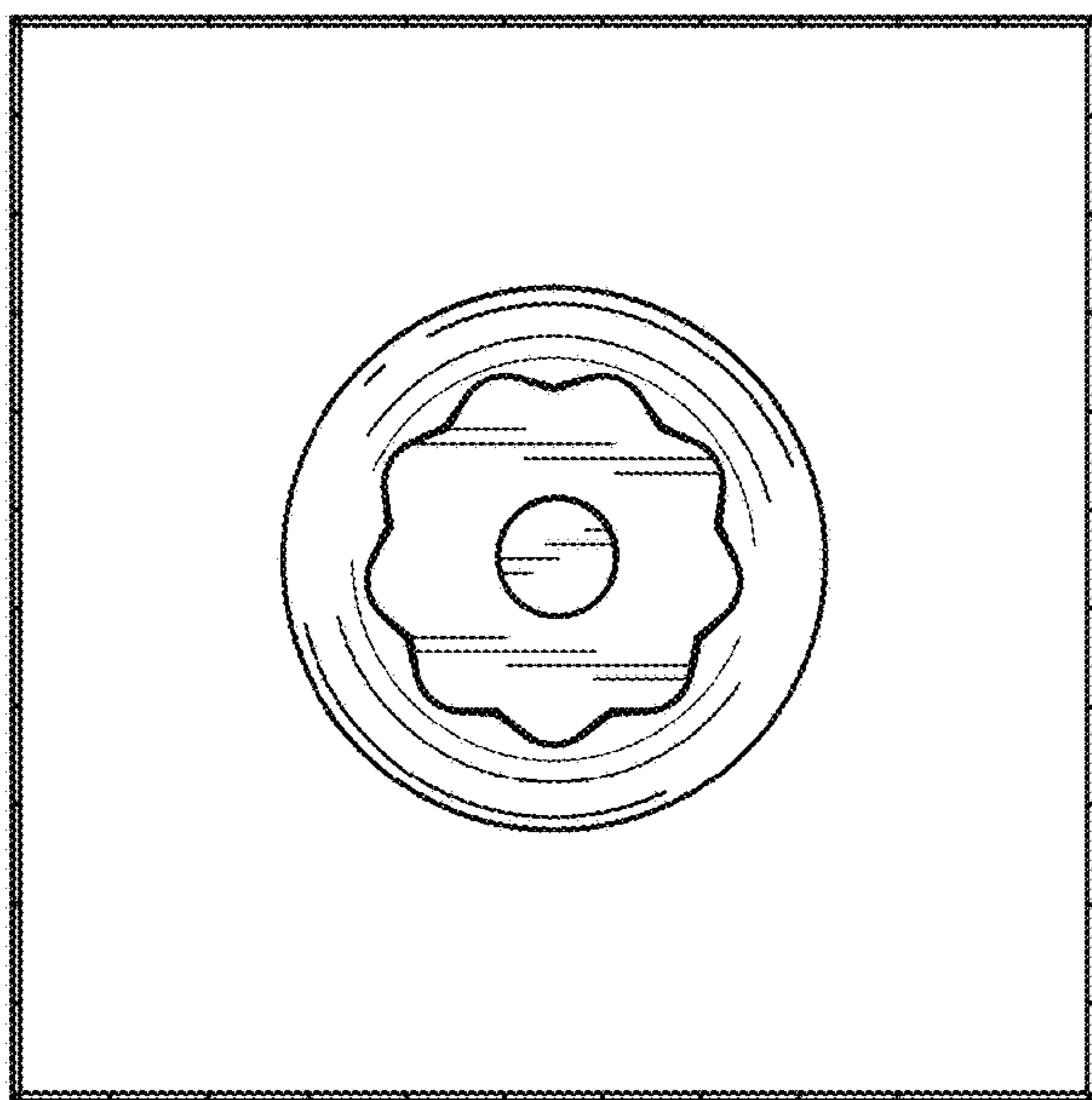


FIG. 14

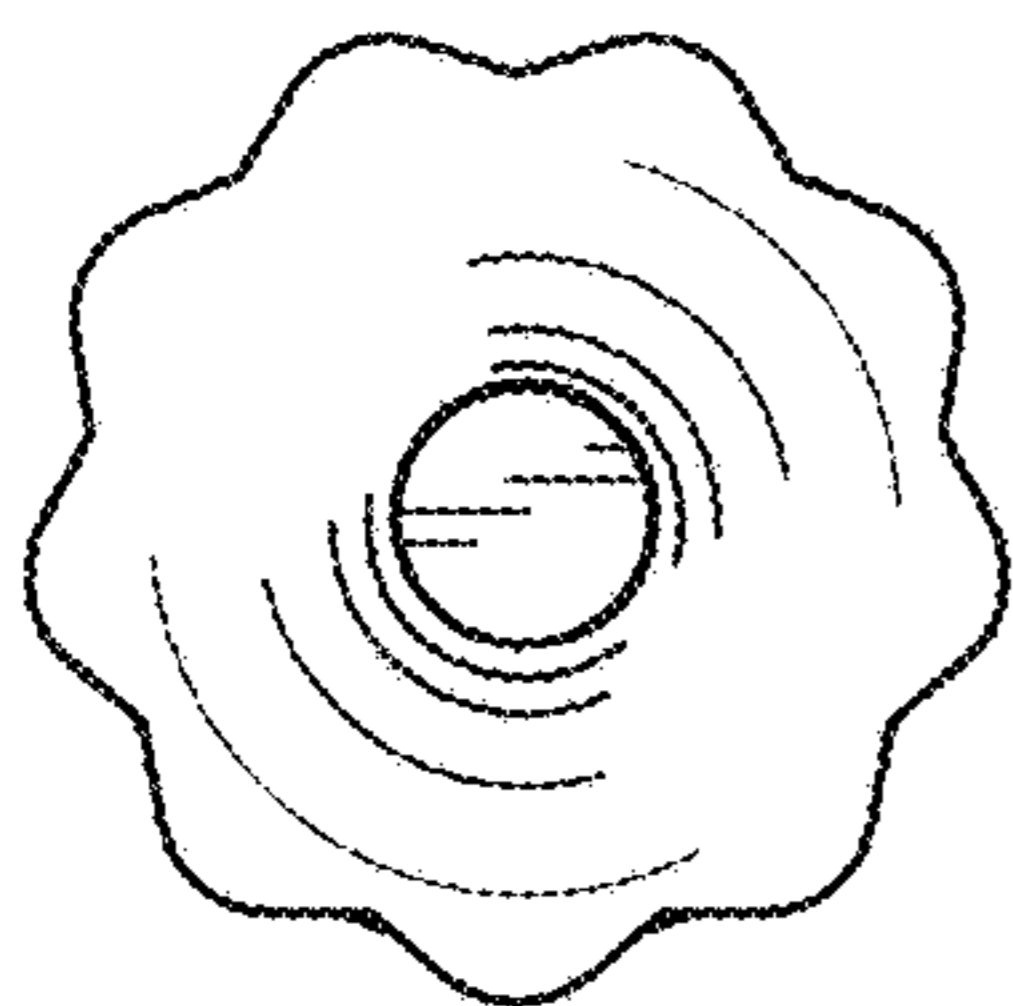


FIG. 15

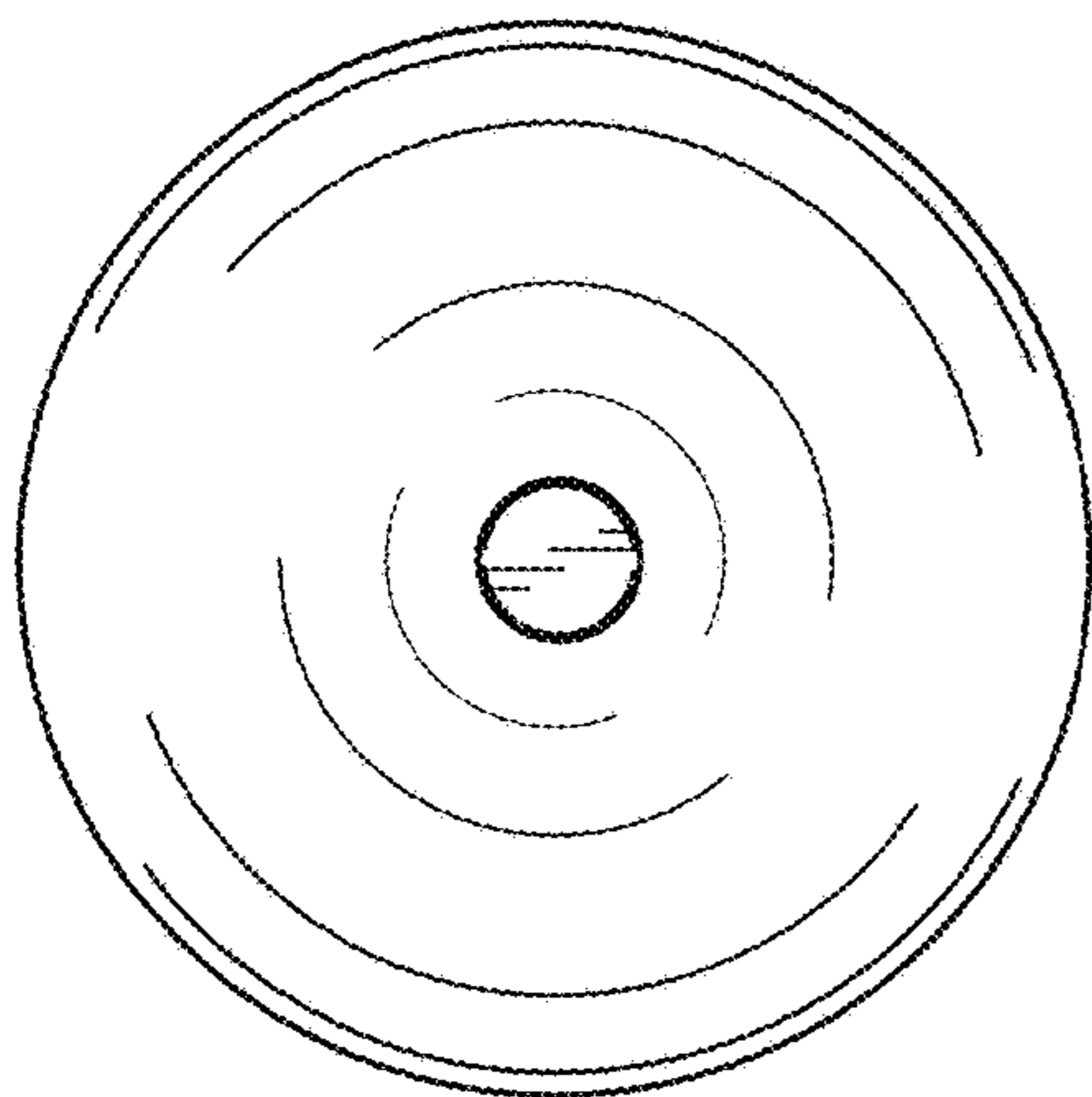


FIG. 16

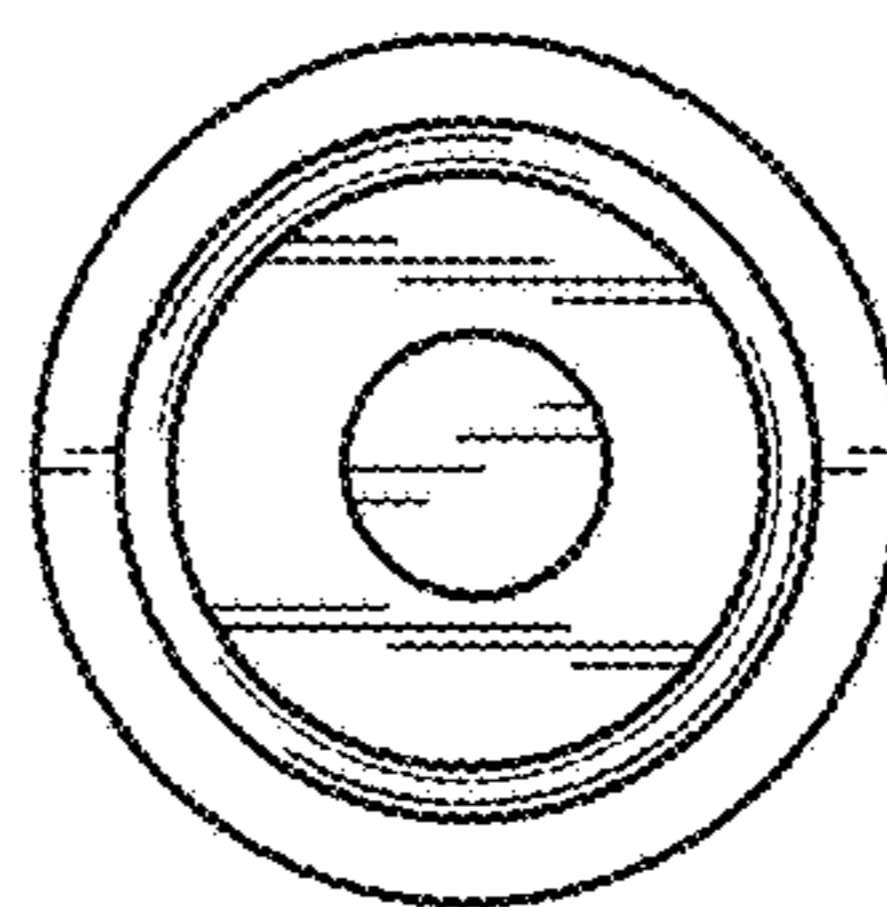


FIG. 17

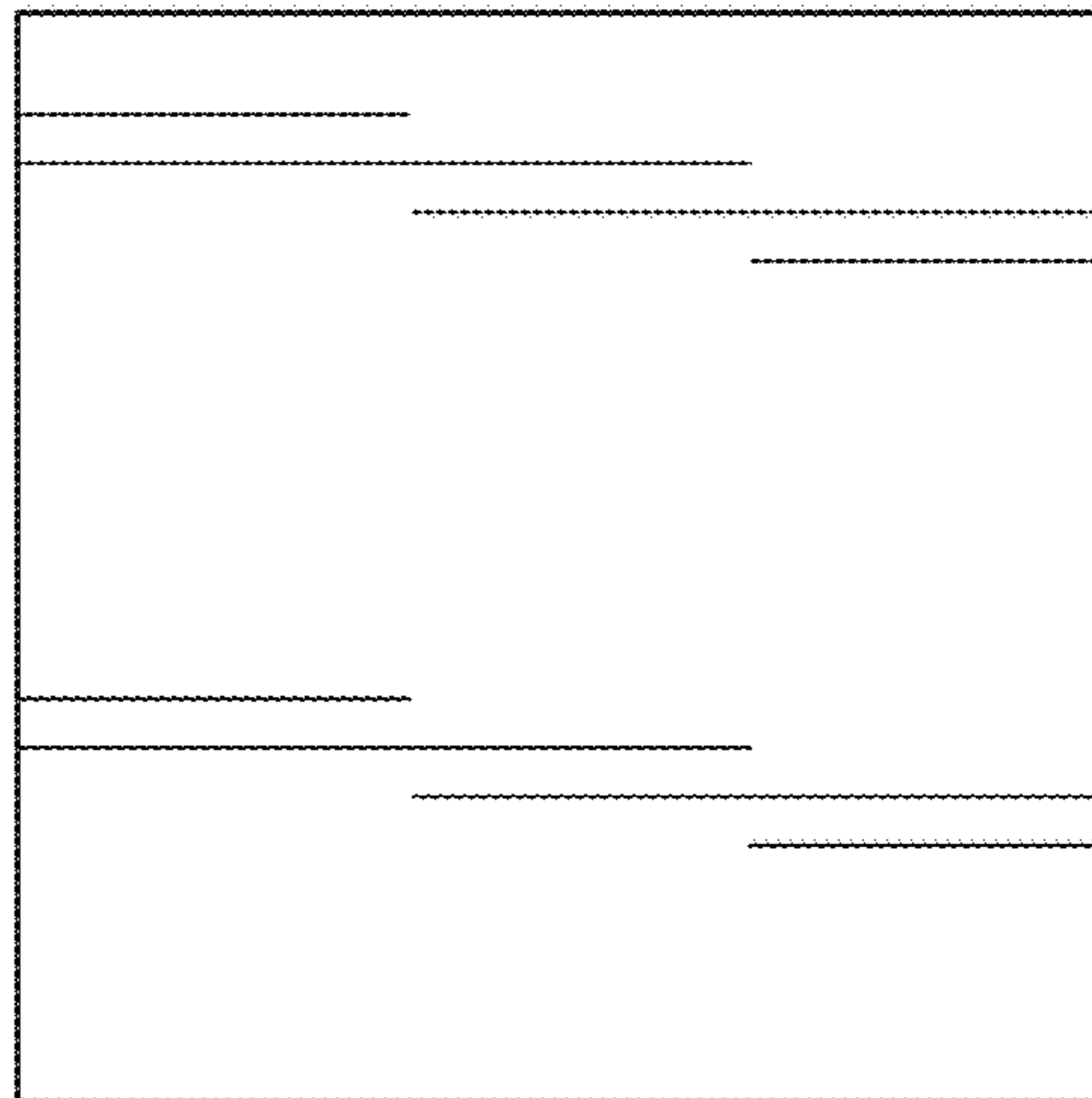


FIG. 18