



US00D774216S

(12) **United States Design Patent** (10) **Patent No.:** **US D774,216 S**
Zhu et al. (45) **Date of Patent:** **** *Dec. 13, 2016**

(54) **LED LAMP**

(56) **References Cited**

(71) Applicant: **KONINKLIJKE PHILIPS N.V.**,
Eindhoven (NL)

(72) Inventors: **Qianhai Zhu**, Shanghai (CN); **Xiaowei Li**, Shanghai (CN)

(73) Assignee: **Koninklijke Philips N.V.**, Eindhoven (NL)

U.S. PATENT DOCUMENTS

| | | | | |
|------------|---|---------|-------------------------|-------|
| D530,836 S | * | 10/2006 | Johnson | D26/2 |
| D545,457 S | * | 6/2007 | Chen | D26/2 |
| D551,784 S | * | 9/2007 | Krieglmeyer et al. | D26/2 |
| D572,385 S | * | 7/2008 | Mazzochette et al. | D26/2 |
| D597,225 S | * | 7/2009 | Yoo | D26/2 |

(*) Notice: This patent is subject to a terminal disclaimer.

* cited by examiner

Primary Examiner — Marcus Jackson

(**) Term: **14 Years**

(57) **CLAIM**

The ornamental design for a LED lamp, as shown.

(21) Appl. No.: **29/503,461**

DESCRIPTION

(22) Filed: **Sep. 26, 2014**

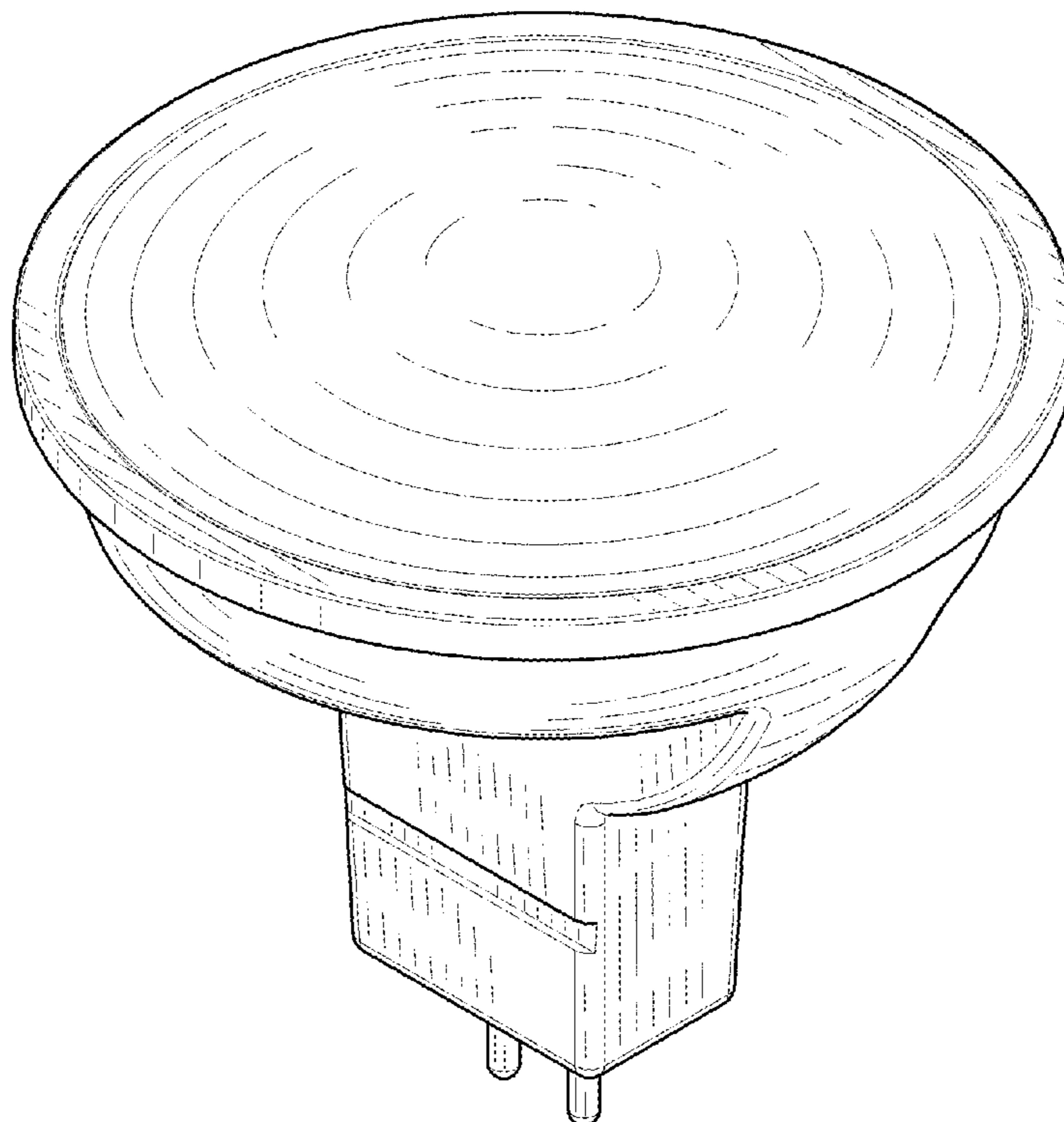
FIG. 1 is a perspective view showing my design;
 FIG. 2 is a front elevational view thereof;
 FIG. 3 is a rear elevational view thereof;
 FIG. 4 is a right side elevational view thereof;
 FIG. 5 is a left side elevational view thereof;
 FIG. 6 is a top plan view thereof; and,
 FIG. 7 is a bottom plan view thereof.

(51) **LOC (10) Cl.** **26-04**

(52) **U.S. Cl.**
USPC **D26/2**

(58) **Field of Classification Search**
USPC D26/1-4; 313/313, 315, 316, 317, 318,
313/493; 315/52, 53, 56, 57, 58
See application file for complete search history.

1 Claim, 7 Drawing Sheets



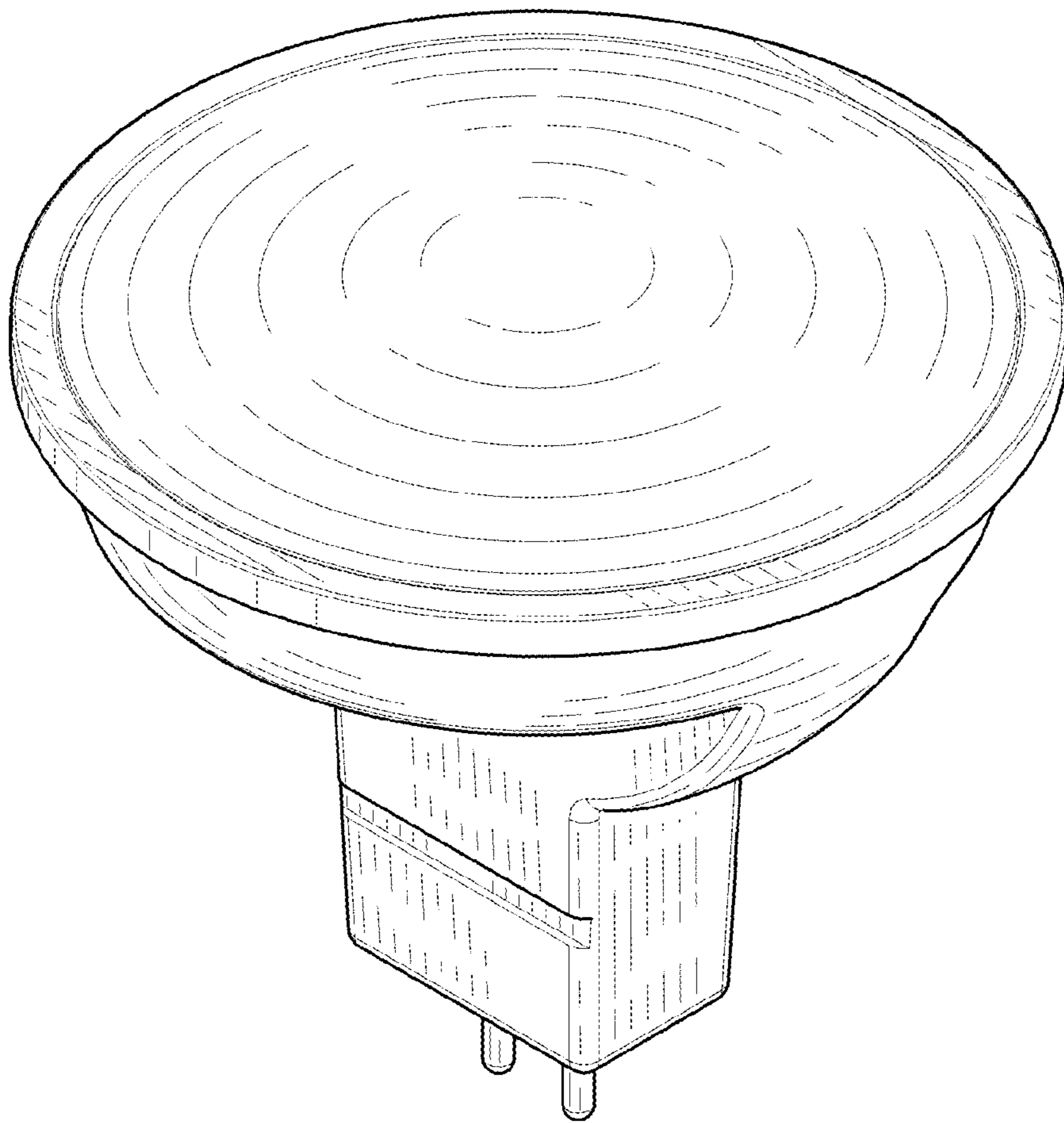


FIG. 1

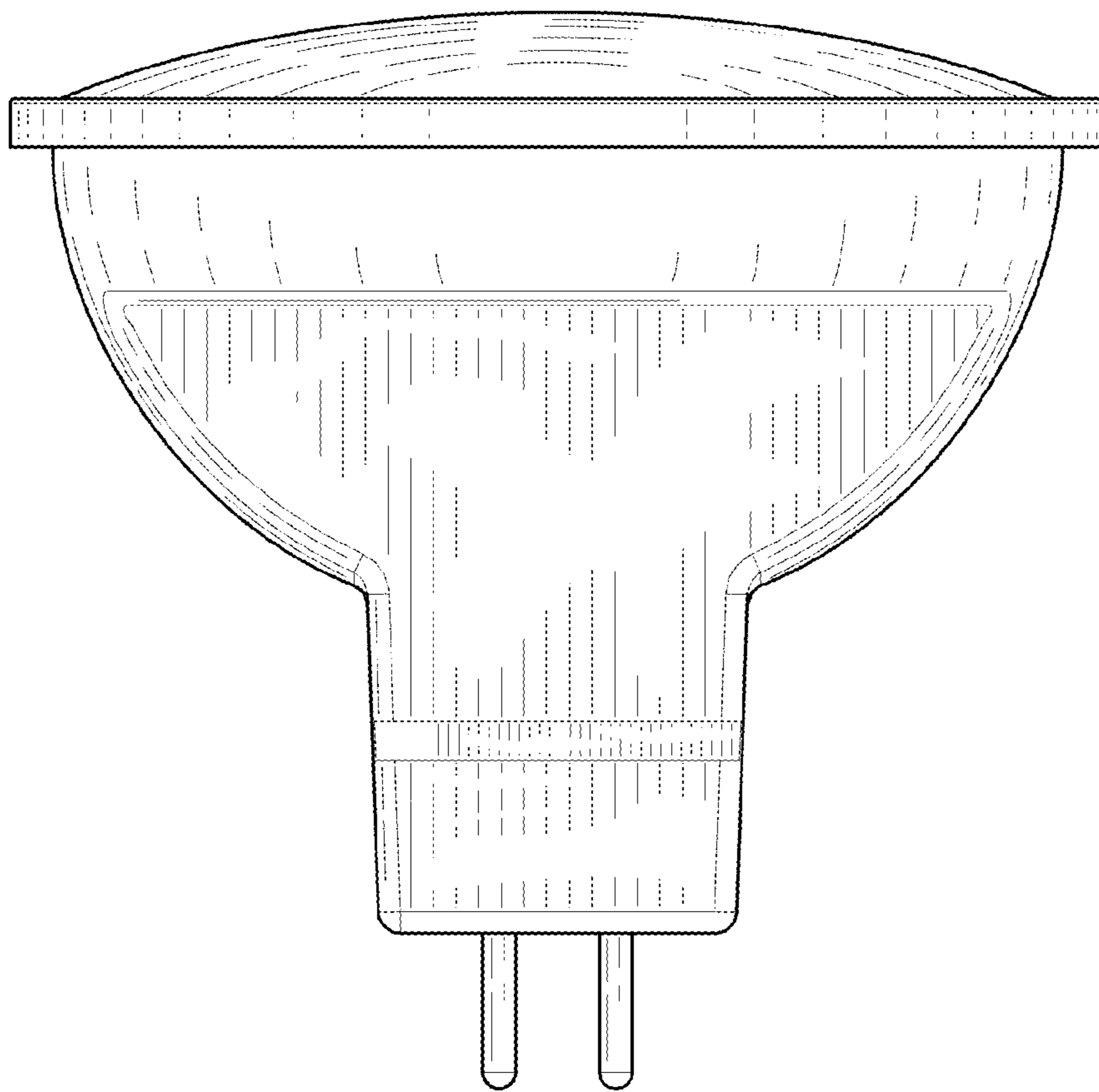


FIG. 2

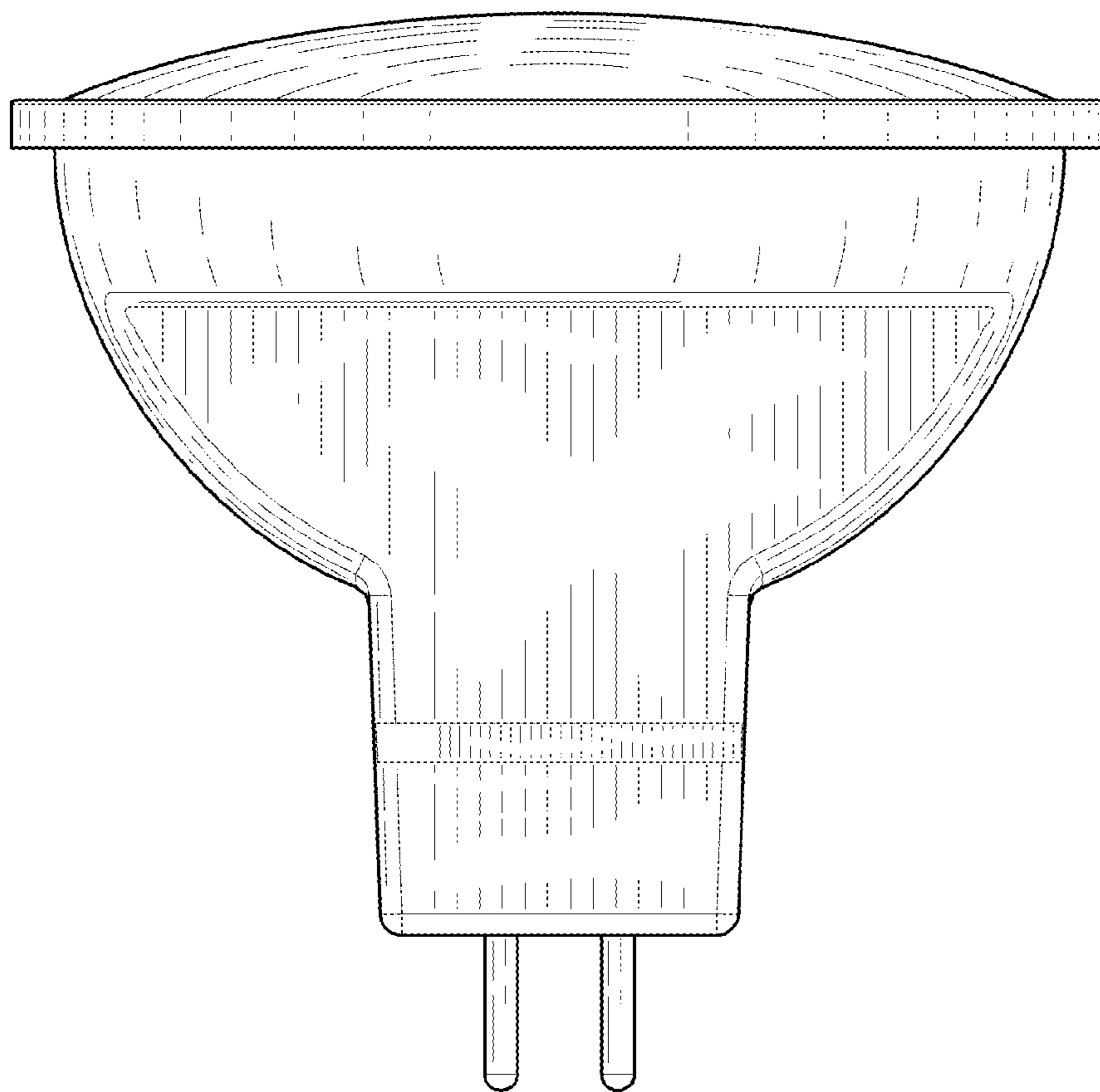


FIG. 3

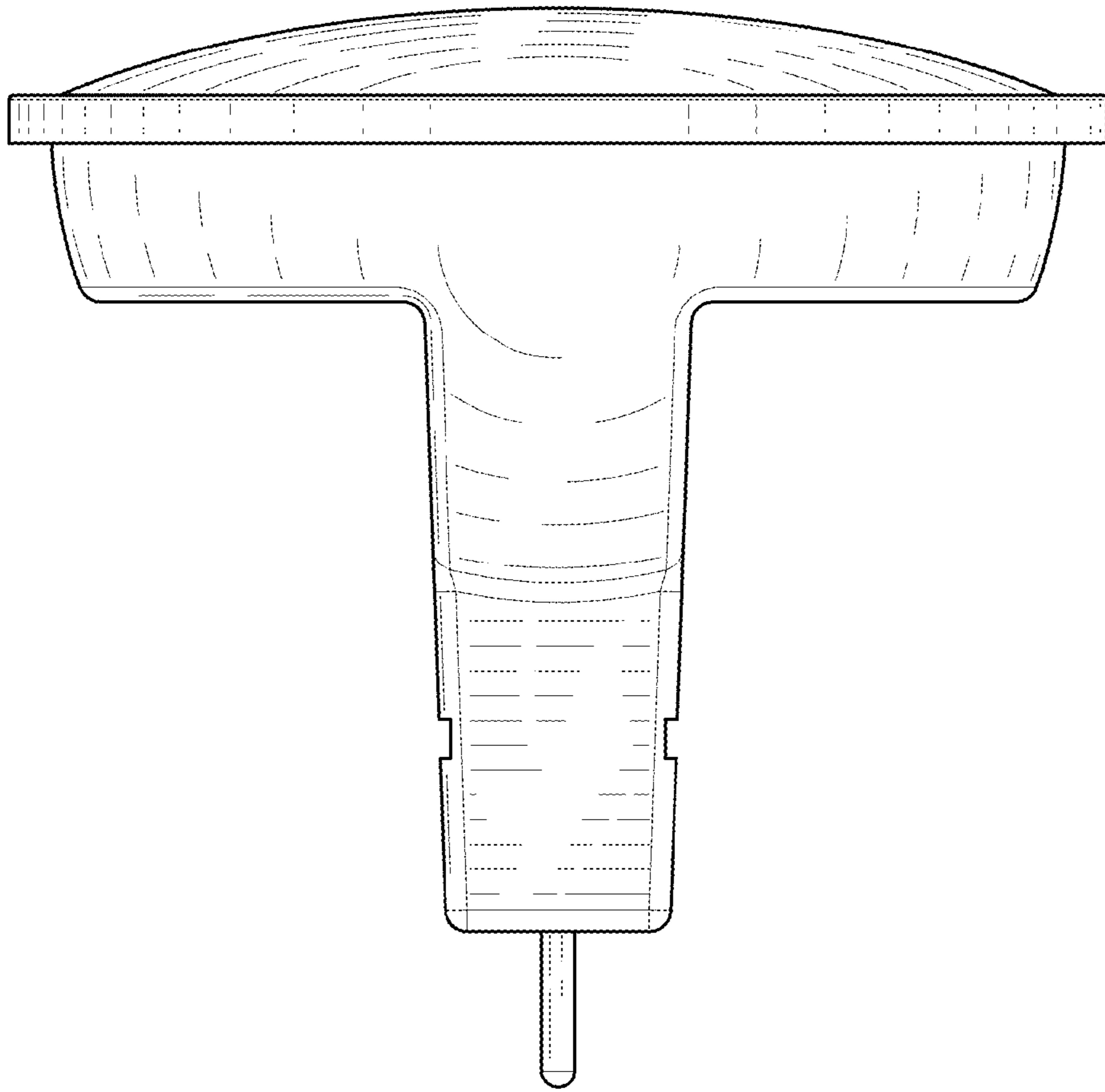


FIG. 4

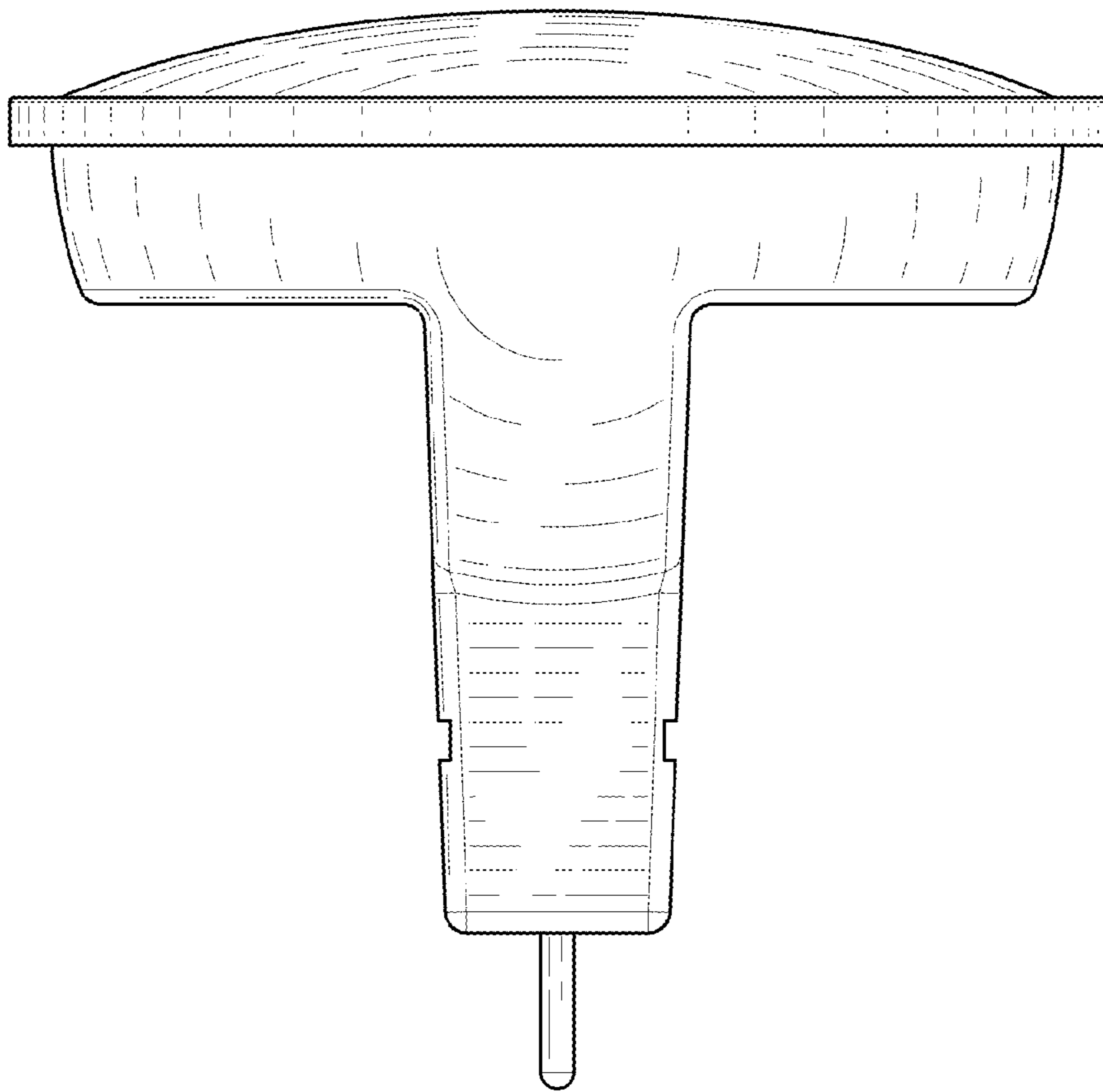


FIG. 5

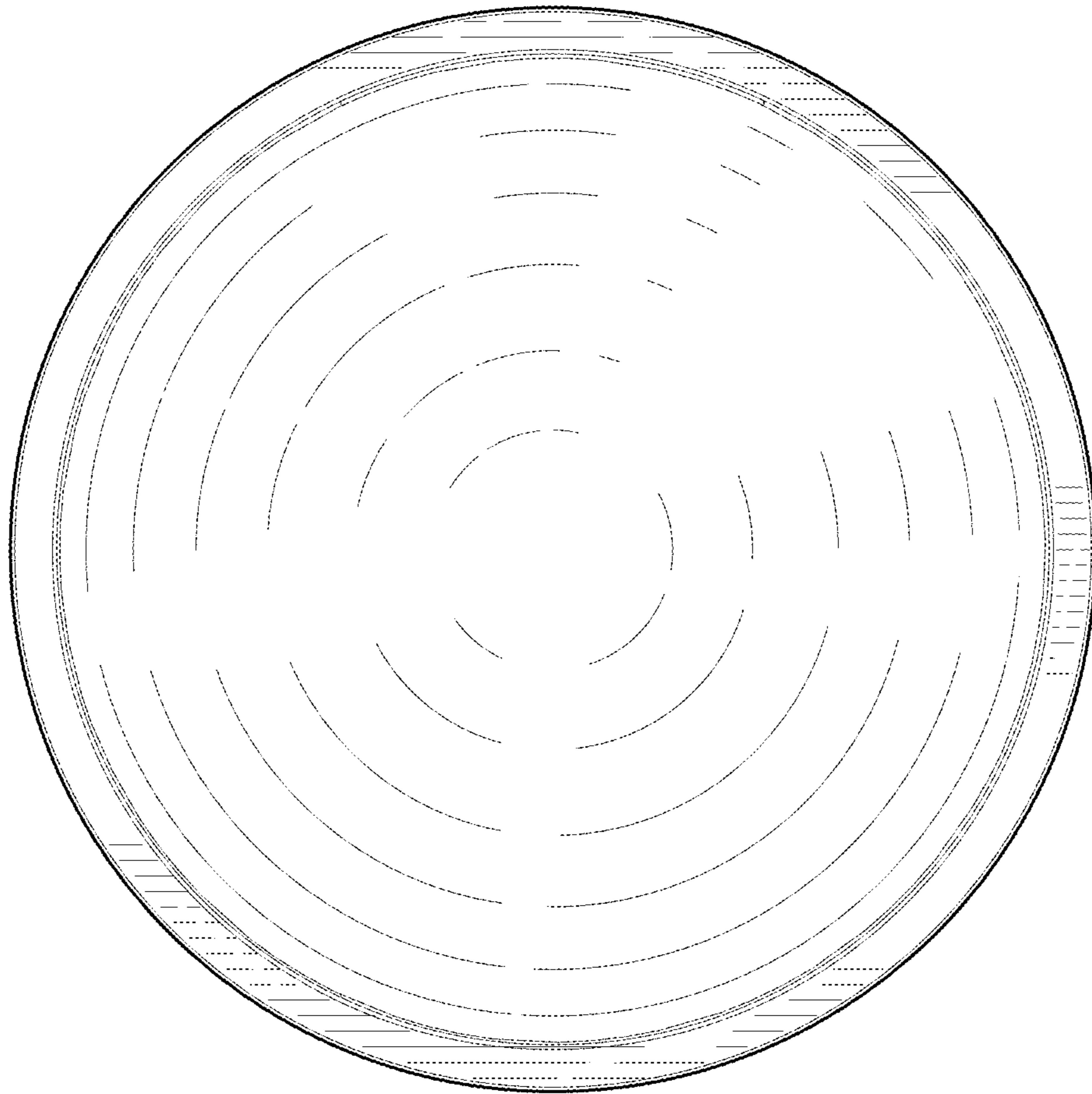


FIG. 6

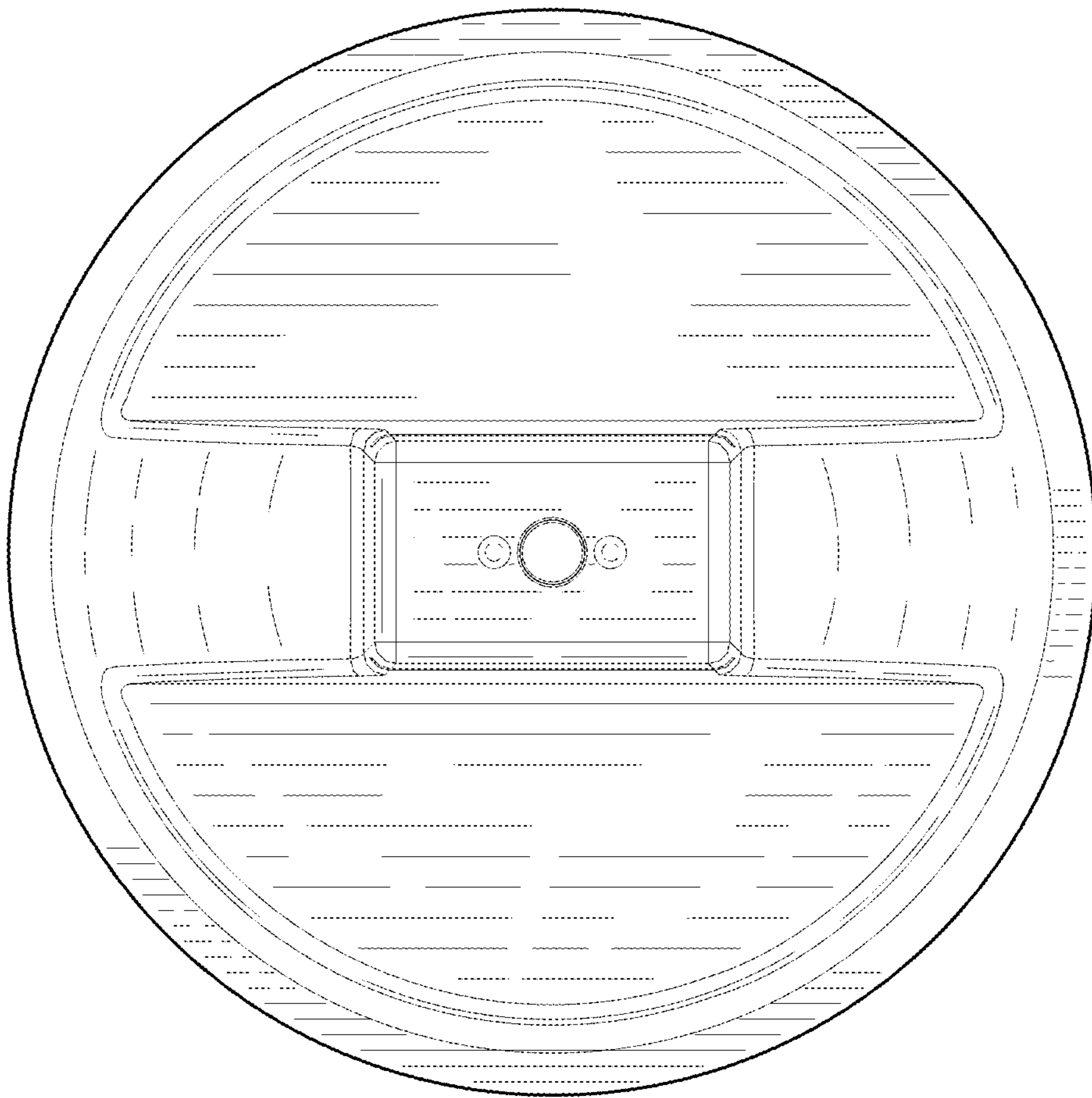


FIG. 7