



US00D774214S

(12) **United States Design Patent** (10) **Patent No.:** **US D774,214 S**
Mumford, Sr. (45) **Date of Patent:** **** Dec. 13, 2016**

(54) **TILE TRIM**

DESCRIPTION

(71) Applicant: **Drew Donald Mumford, Sr.**, Newport Coast, CA (US)

(72) Inventor: **Drew Donald Mumford, Sr.**, Newport Coast, CA (US)

(73) Assignee: **Columbia Aluminum Products, LLC**, City of Commerce, CA (US)

(**) Term: **15 Years**

(21) Appl. No.: **29/538,211**

(22) Filed: **Sep. 1, 2015**

Related U.S. Application Data

(63) Continuation-in-part of application No. 29/532,563, filed on Jul. 8, 2015, now Pat. No. Des. 768,881.

(51) **LOC (10) Cl.** **25-01**

(52) **U.S. Cl.**
USPC **D25/119**

(58) **Field of Classification Search**
USPC D25/119, 69, 125, 136, 123, 35, 61, 121;
52/506.06, 506.07, 716.1, 287.1, 717.05,
52/717.06

(Continued)

(56) **References Cited**

U.S. PATENT DOCUMENTS

D275,036 S * 8/1984 Lloyd-Jones D25/119
6,238,773 B1 5/2001 Schluter

(Continued)

Primary Examiner — Cynthia Ramirez

Assistant Examiner — Gino Colan

(74) *Attorney, Agent, or Firm* — Hankin Patent Law, APC; Jimmy Sauz; Kevin Schraven

(57) **CLAIM**

The ornamental design for a tile trim, as shown and described.

FIG. 1 is a top perspective view of a first embodiment of a tile trim, showing my new design.

FIG. 2 is a front elevational view thereof.

FIG. 3 is a rear elevational view thereof.

FIG. 4 is a right side elevational view thereof.

FIG. 5 is a left side elevational view thereof.

FIG. 6 is a top plan view thereof.

FIG. 7 is a bottom plan view thereof.

FIG. 8 is a top perspective view of a second embodiment of a tile trim, showing my new design.

FIG. 9 is a front elevational view thereof.

FIG. 10 is a rear elevational view thereof.

FIG. 11 is a right side elevational view thereof.

FIG. 12 is a left side elevational view thereof.

FIG. 13 is a top plan view thereof.

FIG. 14 is a bottom plan view thereof.

FIG. 15 is a top perspective view of a third embodiment of a tile trim, showing my new design.

FIG. 16 is a front elevational view thereof.

FIG. 17 is a rear elevational view thereof.

FIG. 18 is a right side elevational view thereof.

FIG. 19 is a left side elevational view thereof.

FIG. 20 is a top plan view thereof.

FIG. 21 is a bottom plan view thereof.

FIG. 22 is a top perspective view of a fourth embodiment of a tile trim, showing my new design.

FIG. 23 is a front elevational view thereof.

FIG. 24 is a rear elevational view thereof.

FIG. 25 is a right side elevational view thereof.

FIG. 26 is a left side elevational view thereof.

FIG. 27 is a top plan view thereof.

FIG. 28 is a bottom plan view thereof.

FIG. 29 is a top perspective view of a fifth embodiment of a tile trim, showing my new design.

FIG. 30 is a front elevational view thereof.

FIG. 31 is a rear elevational view thereof.

FIG. 32 is a right side elevational view thereof.

FIG. 33 is a left side elevational view thereof.

FIG. 34 is a top plan view thereof.

FIG. 35 is a bottom plan view thereof.

FIG. 36 is a top perspective view of a sixth embodiment of a tile trim, showing my new design.

(Continued)

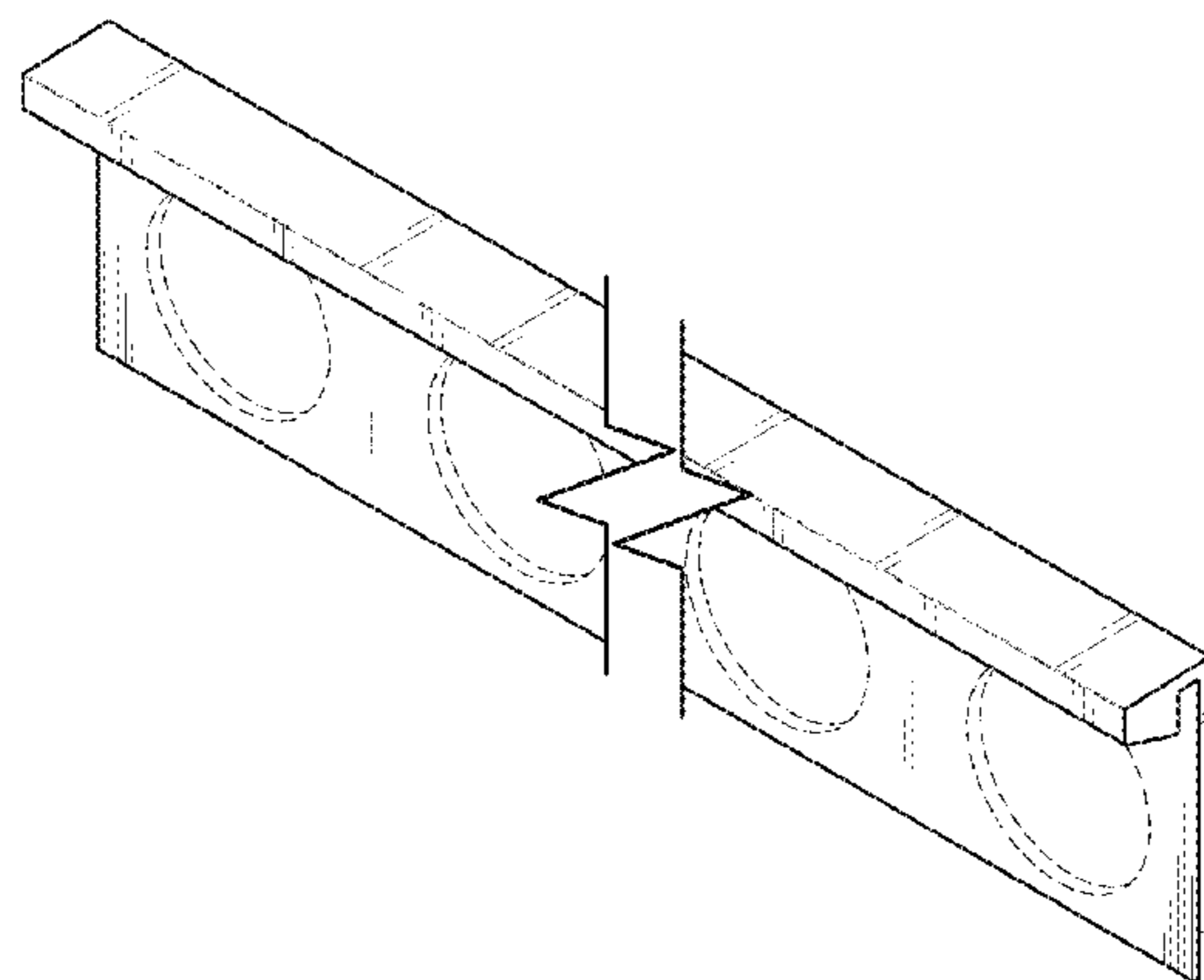


FIG. 37 is a front elevational view thereof.
FIG. 38 is a rear elevational view thereof.
FIG. 39 is a right side elevational view thereof.
FIG. 40 is a left side elevational view thereof.
FIG. 41 is a top plan view thereof; and,
FIG. 42 is a bottom plan view thereof.

The broken lines shown in the figures are included for the purpose of illustrating portions of the tile trim and form no part of the claimed design. The tile trim is shown with a symbolic break in its length. The appearance of any portion of the article between the break lines forms no part of the claimed design.

1 Claim, 18 Drawing Sheets

(58) **Field of Classification Search**

CPC E04F 19/062; E04F 19/022; E04F 19/061;
E04F 19/064; E04F 19/065; E04B 9/008
See application file for complete search history.

(56) **References Cited**

U.S. PATENT DOCUMENTS

6,357,192	B1	3/2002	Schluter	
D513,535	S *	1/2006	Fischer	D25/119
D529,630	S *	10/2006	Zarb	D25/119
D563,567	S *	3/2008	Fischer	D25/119
D711,554	S *	8/2014	Singh	D25/119
D711,556	S *	8/2014	Singh	D25/119
D742,546	S *	11/2015	Singh	D25/119
D742,547	S *	11/2015	Singh	D25/119
D750,806	S *	3/2016	Singh	D25/119
2001/0017015	A1	8/2001	Schluter	

* cited by examiner

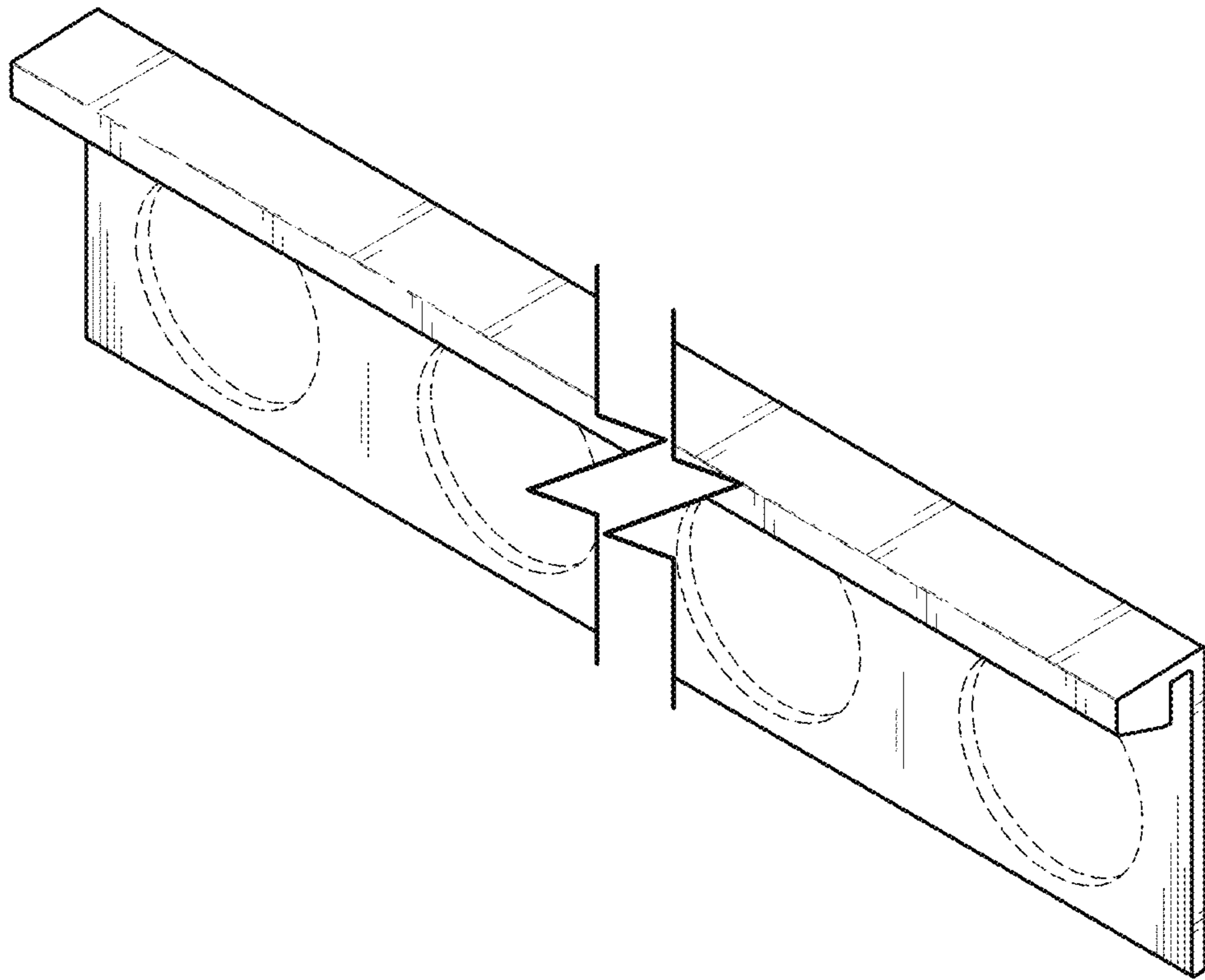
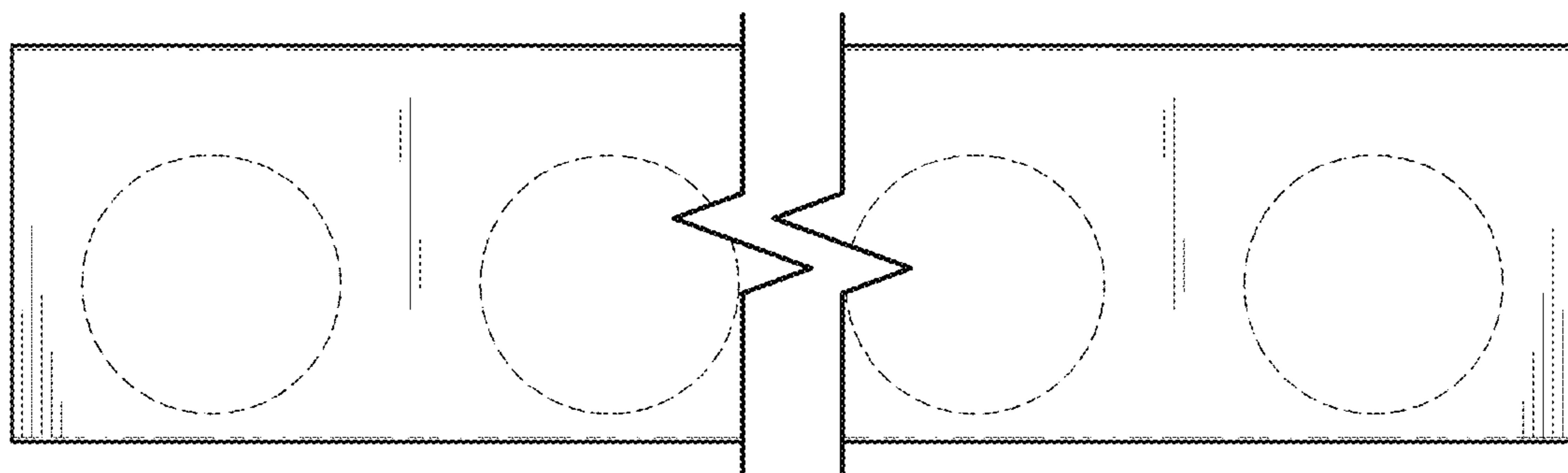
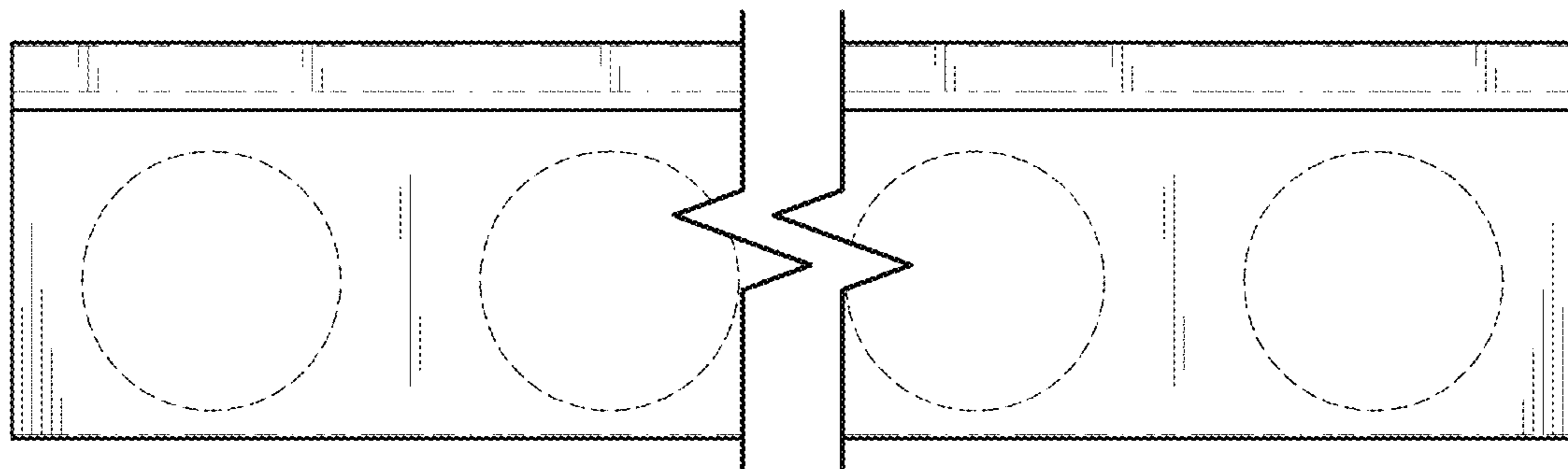
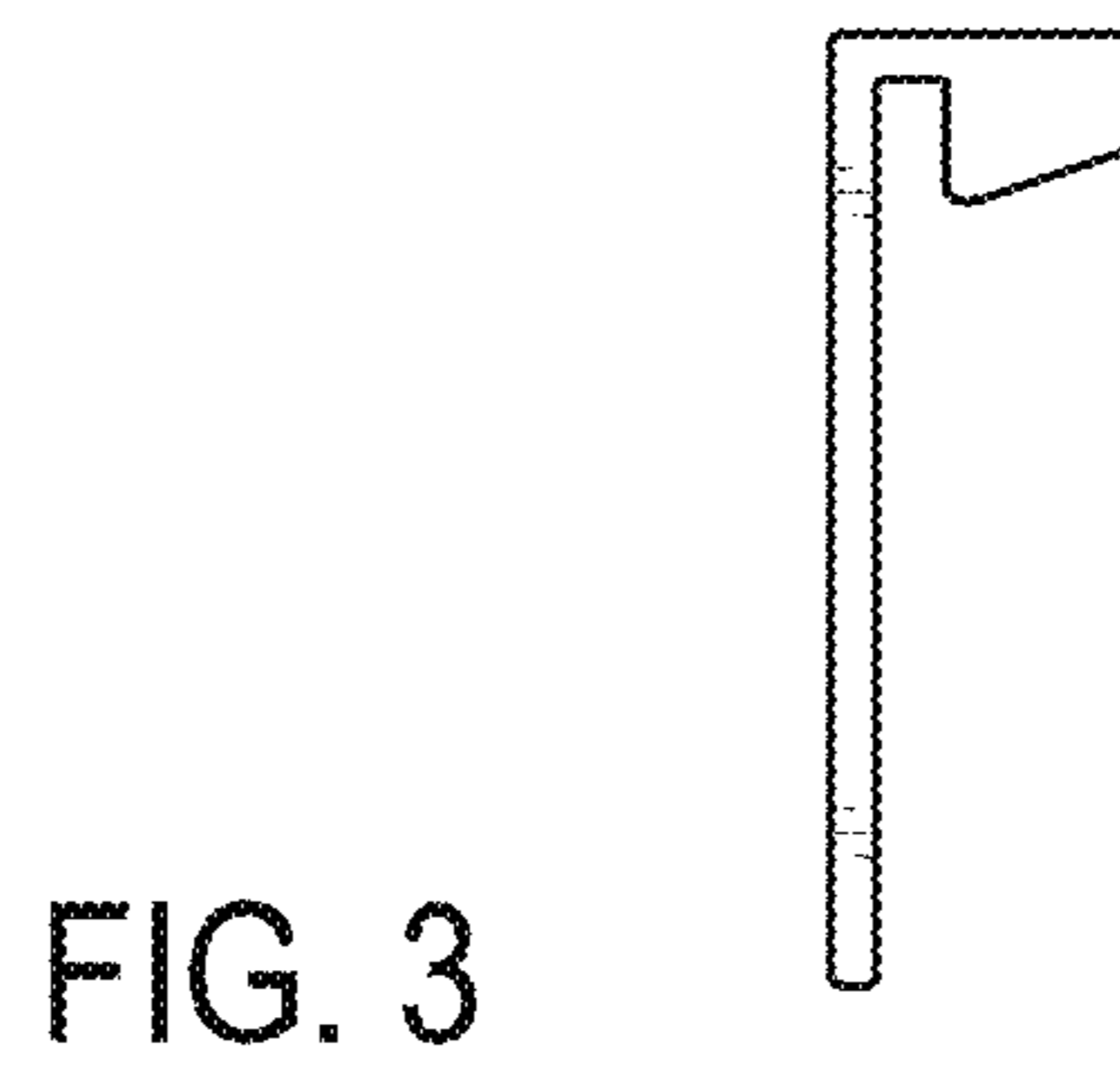
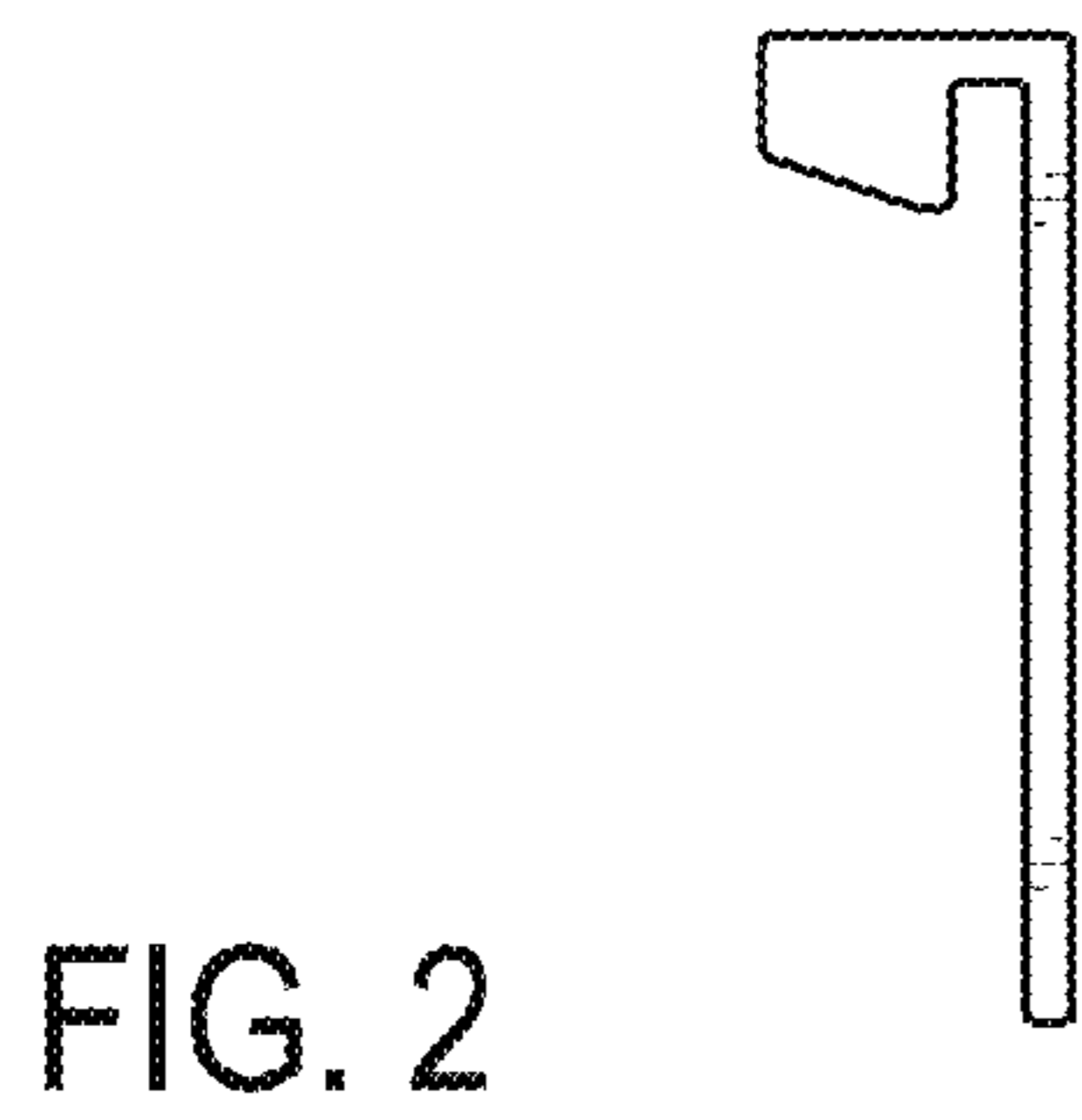


FIG. 1



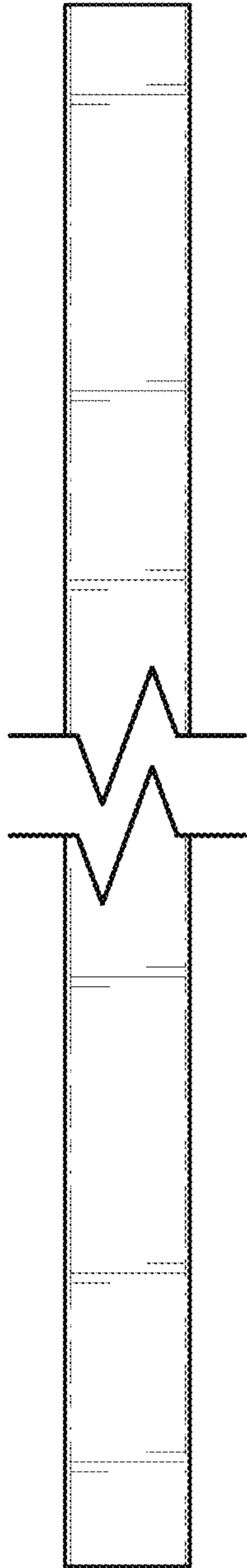


FIG. 6

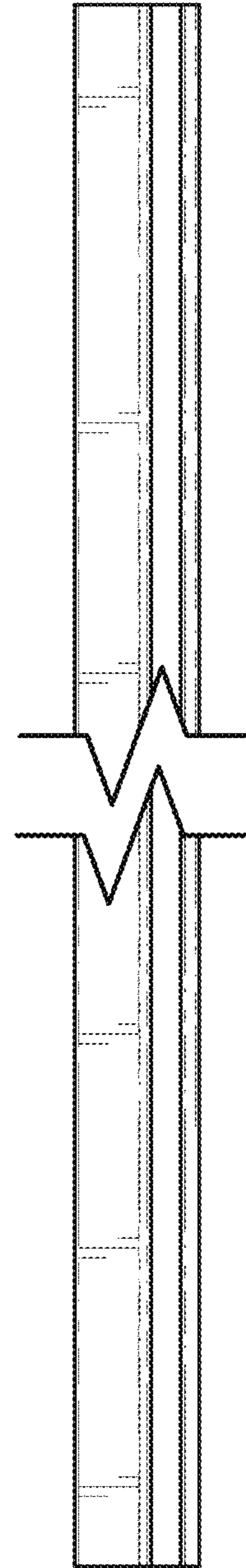


FIG. 7

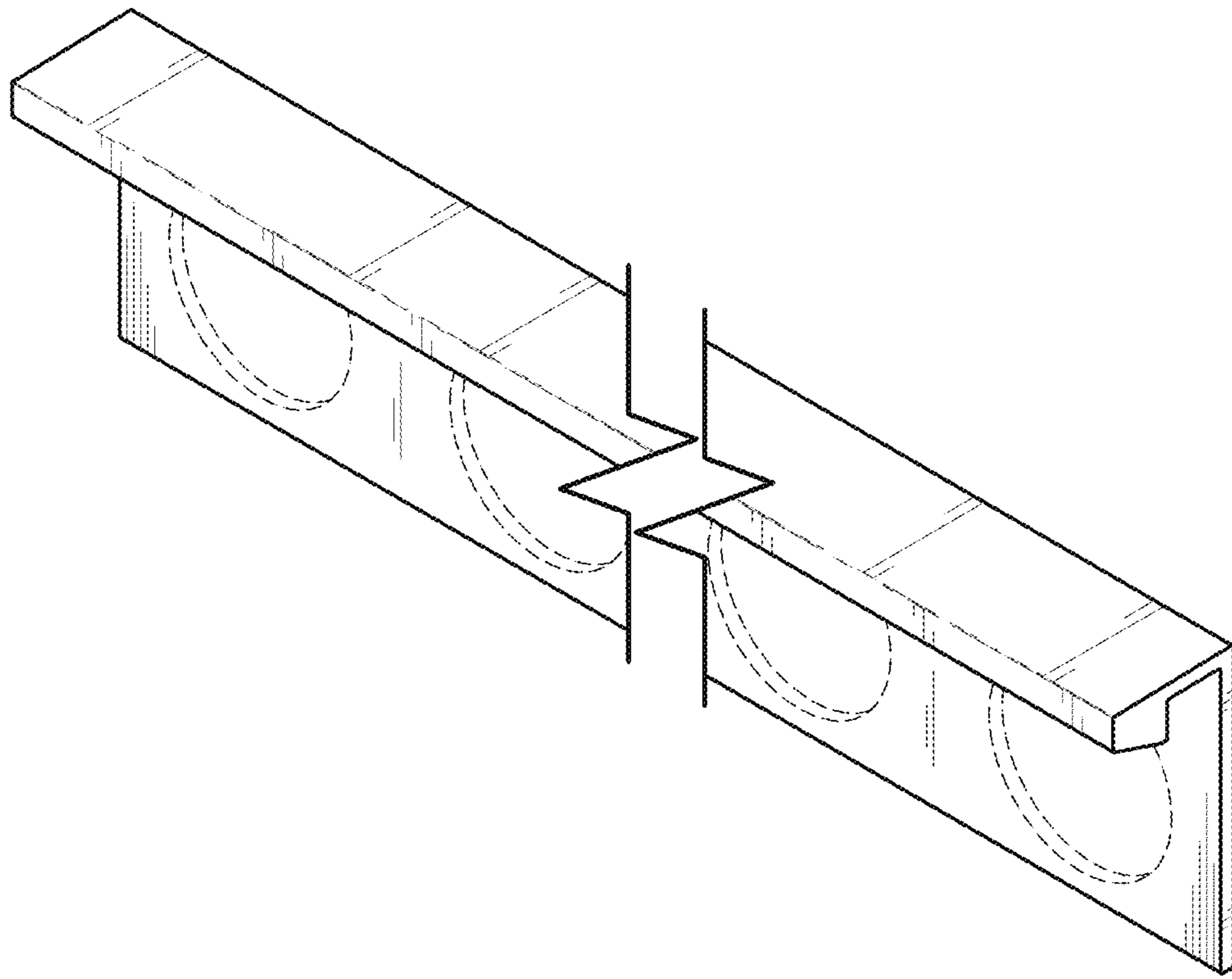


FIG. 8

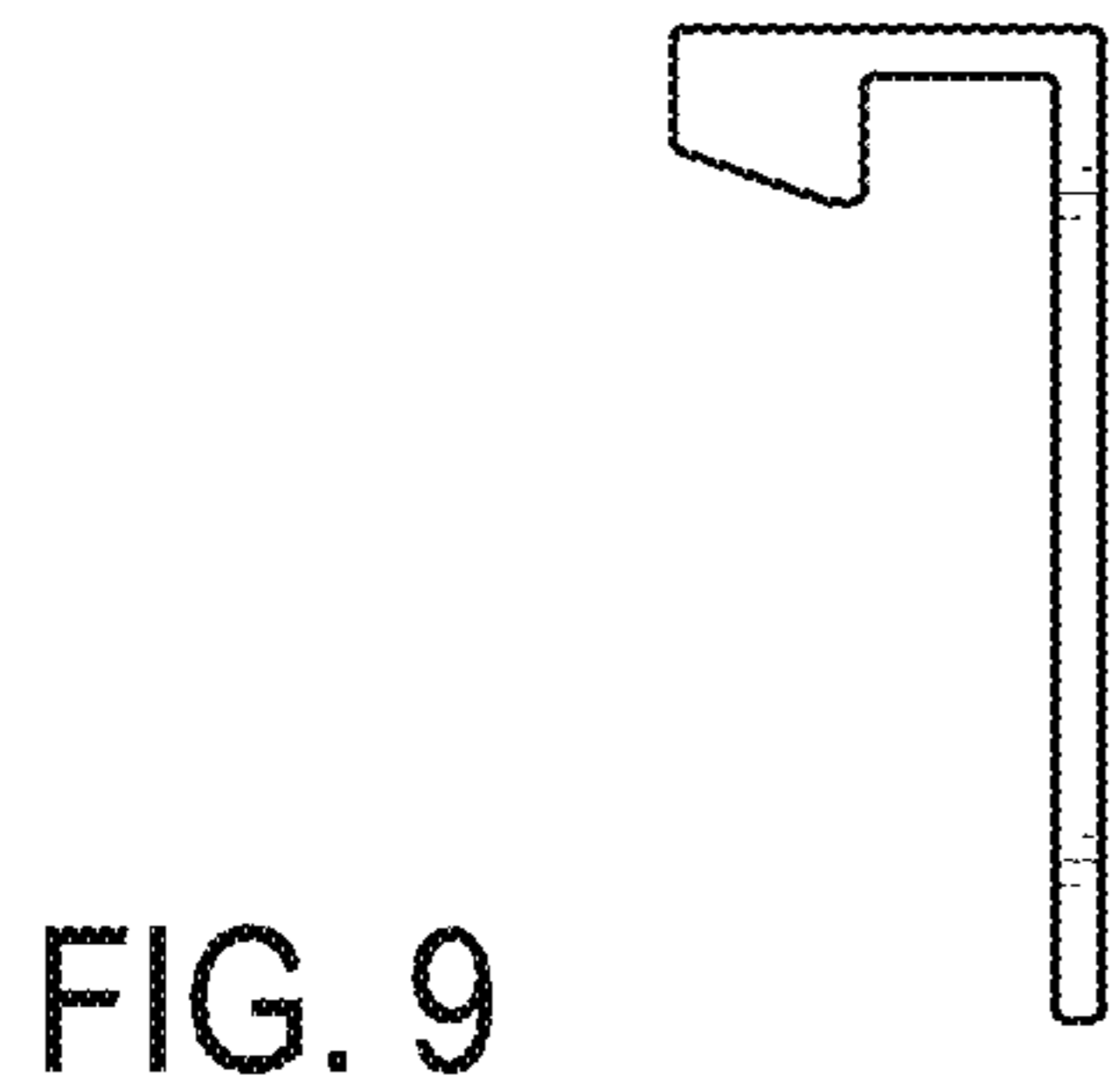


FIG. 9

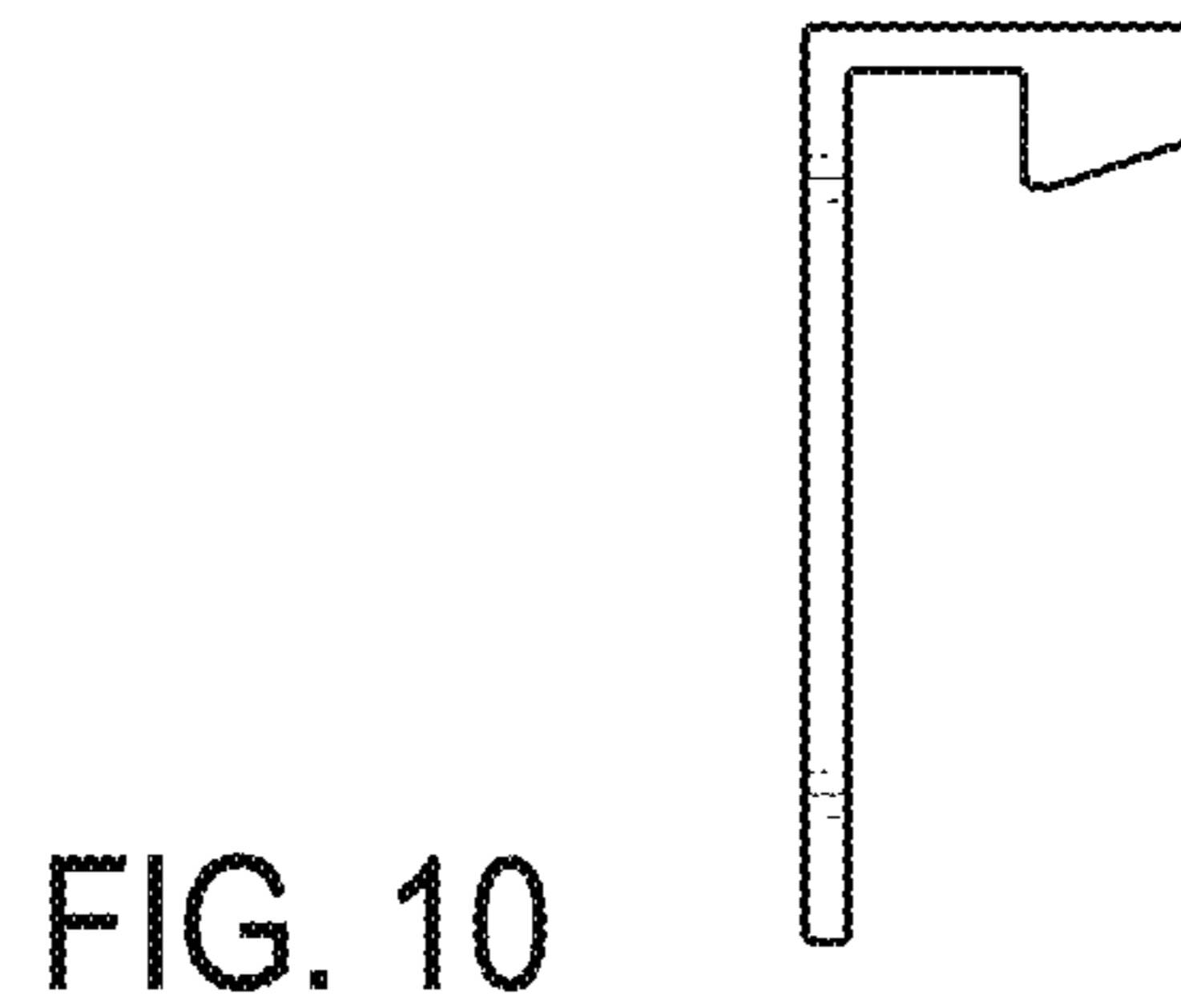


FIG. 10

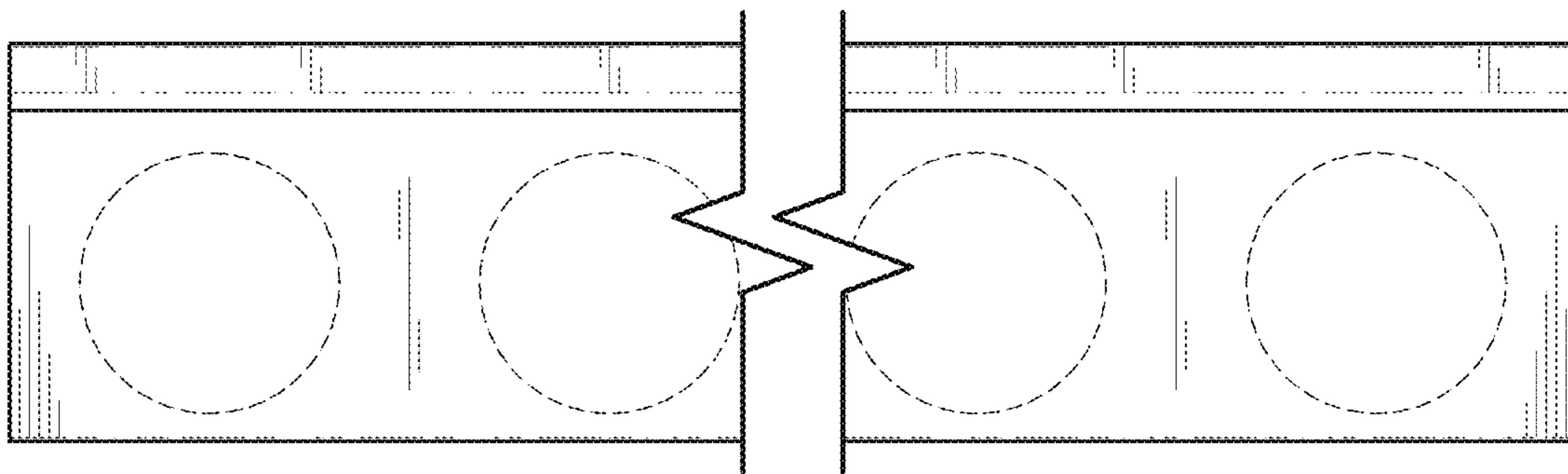


FIG. 11

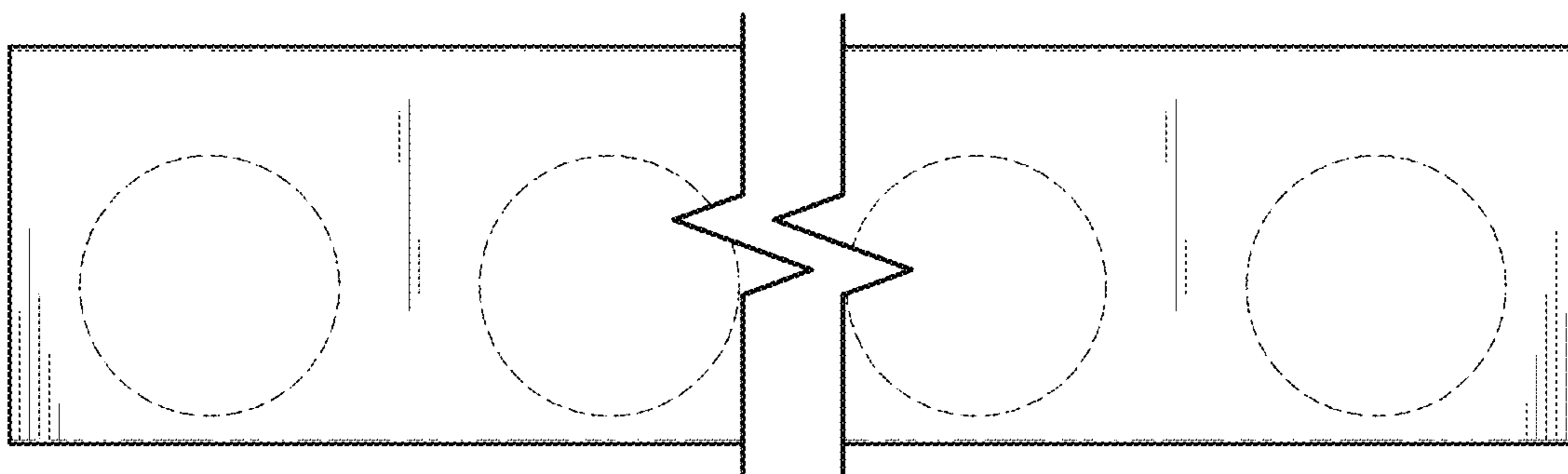


FIG. 12

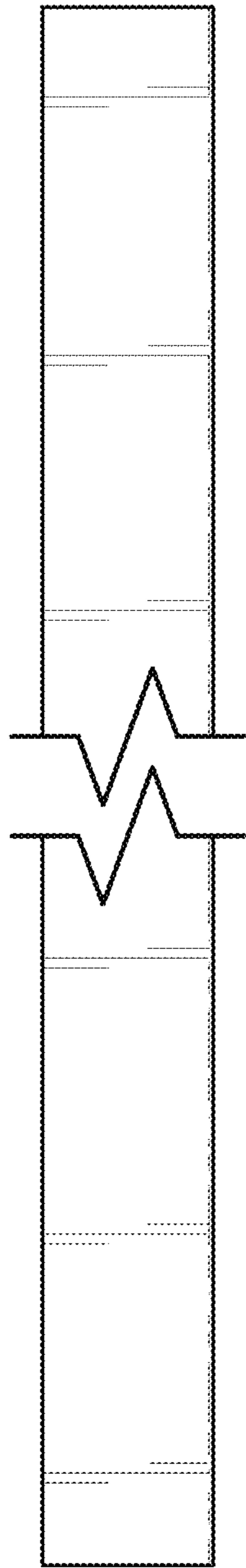


FIG. 13

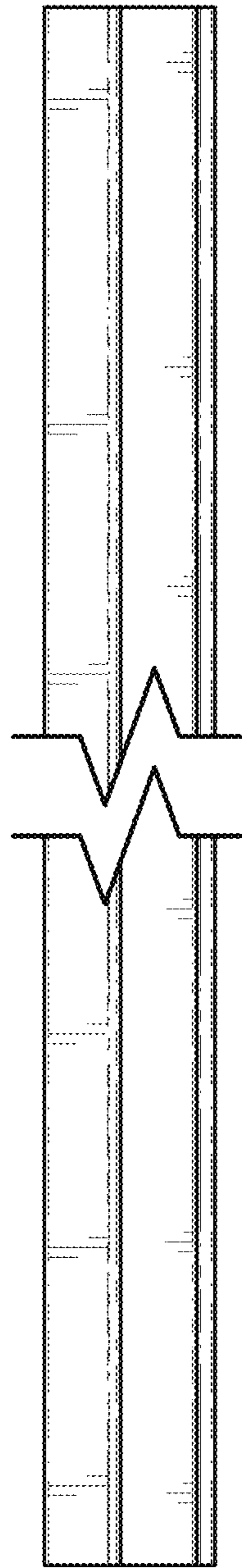


FIG. 14

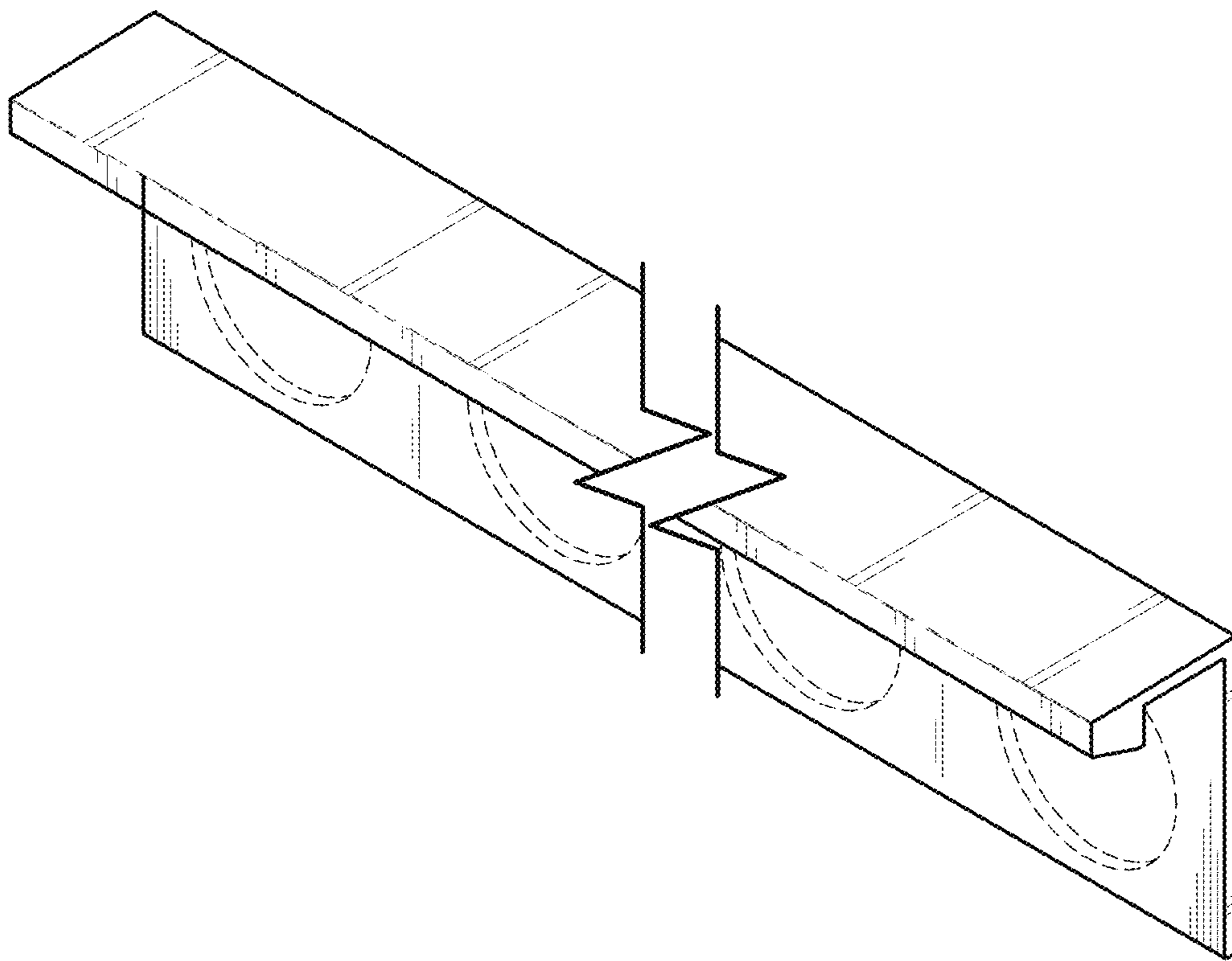
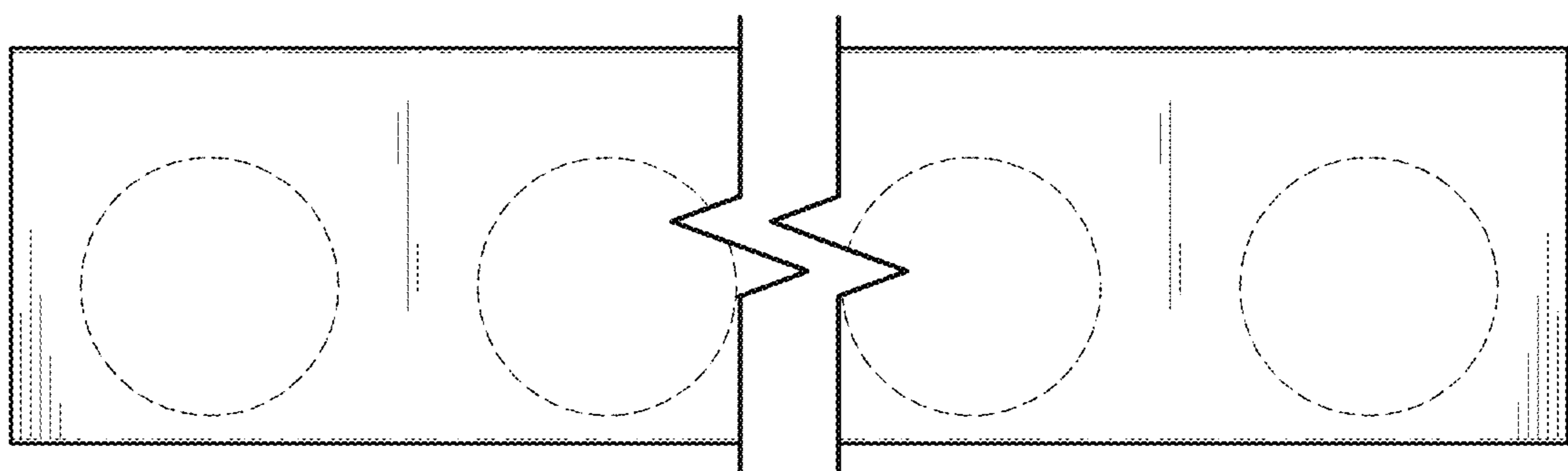
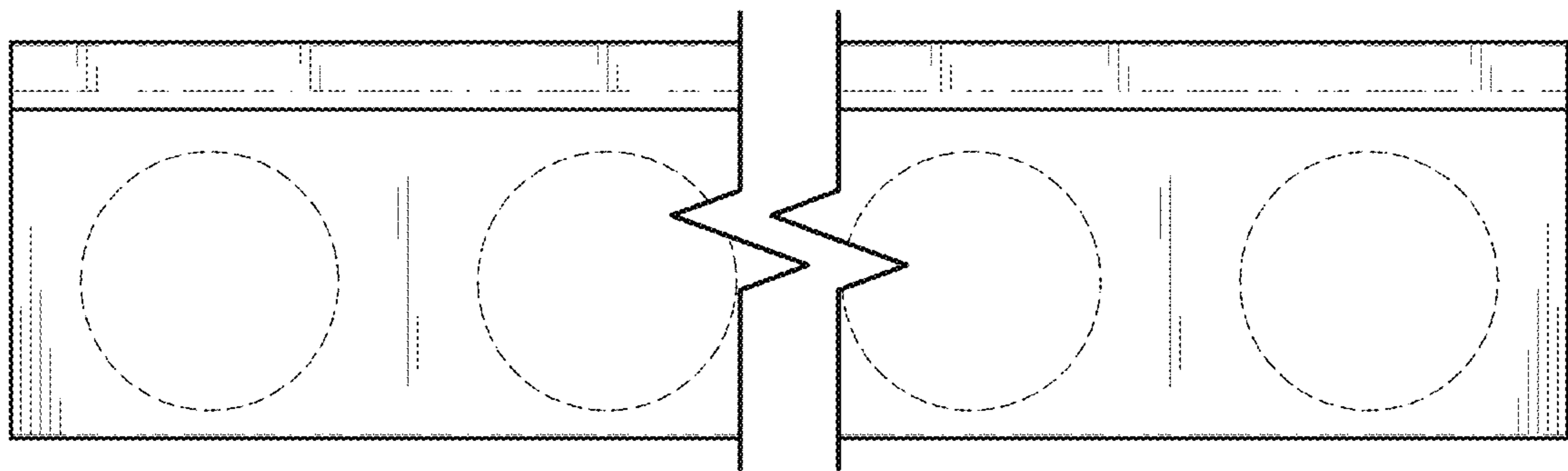
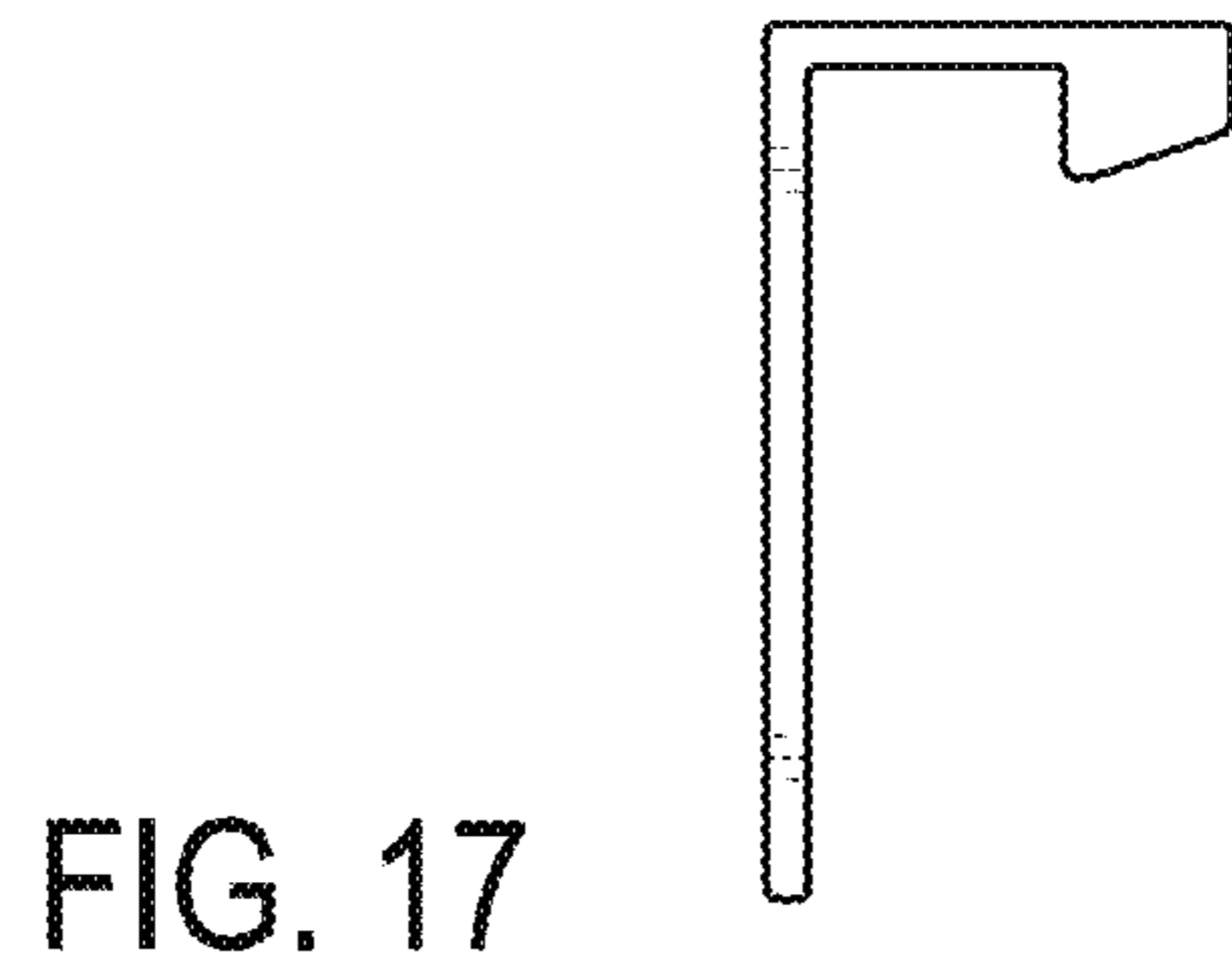
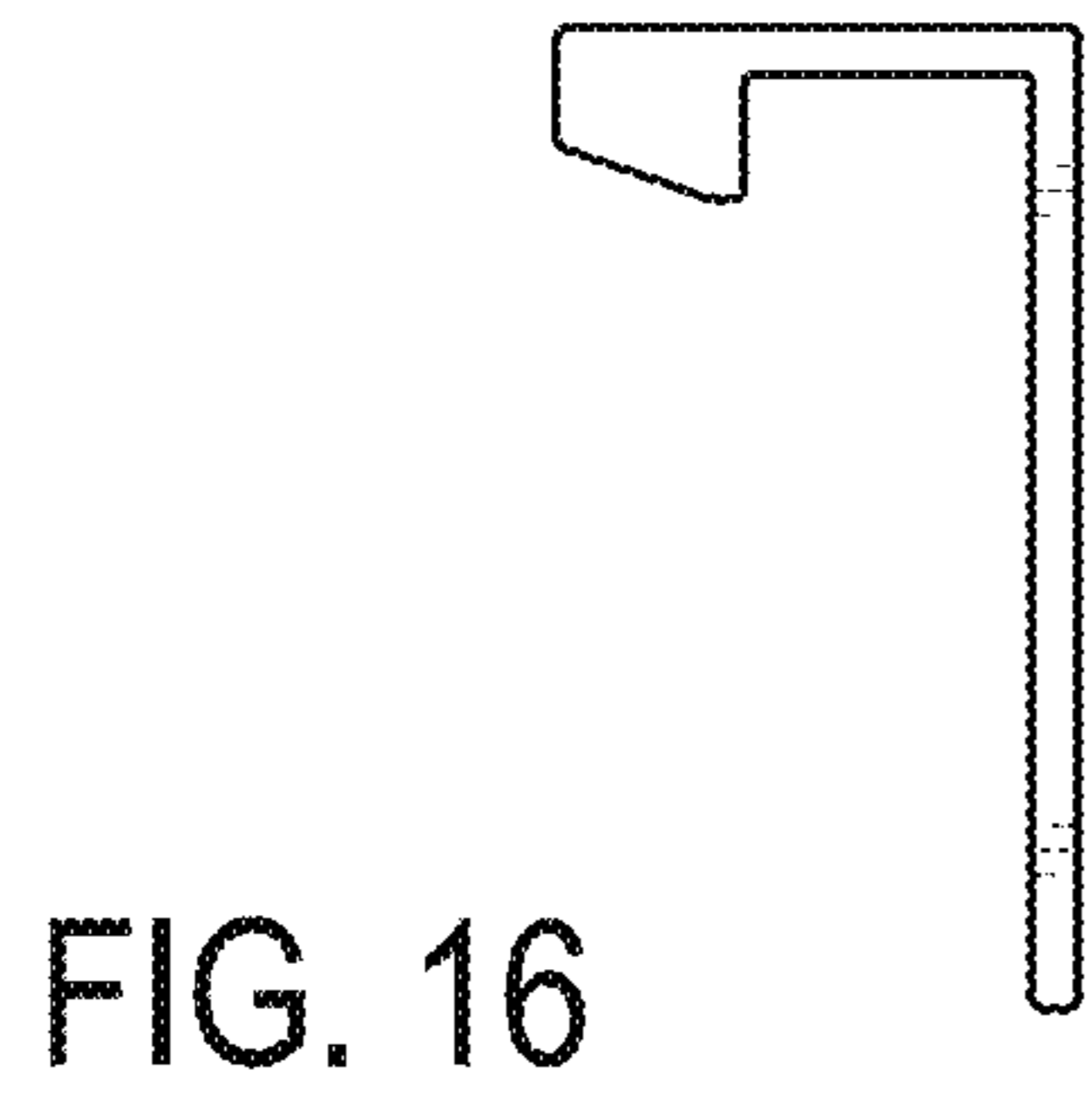


FIG. 15



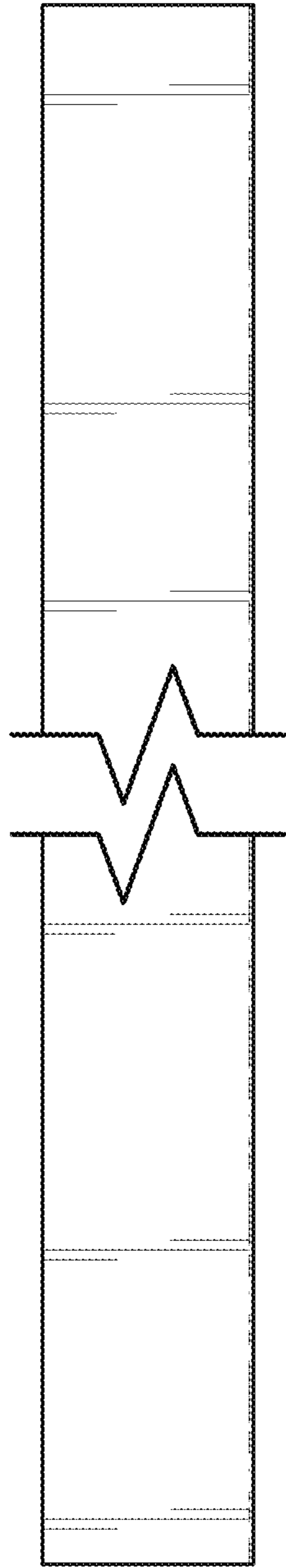


FIG. 20

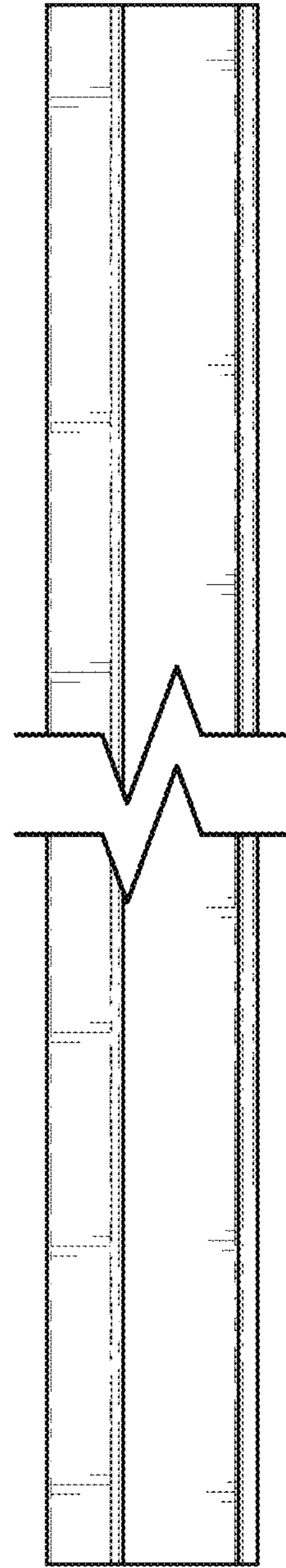


FIG. 21

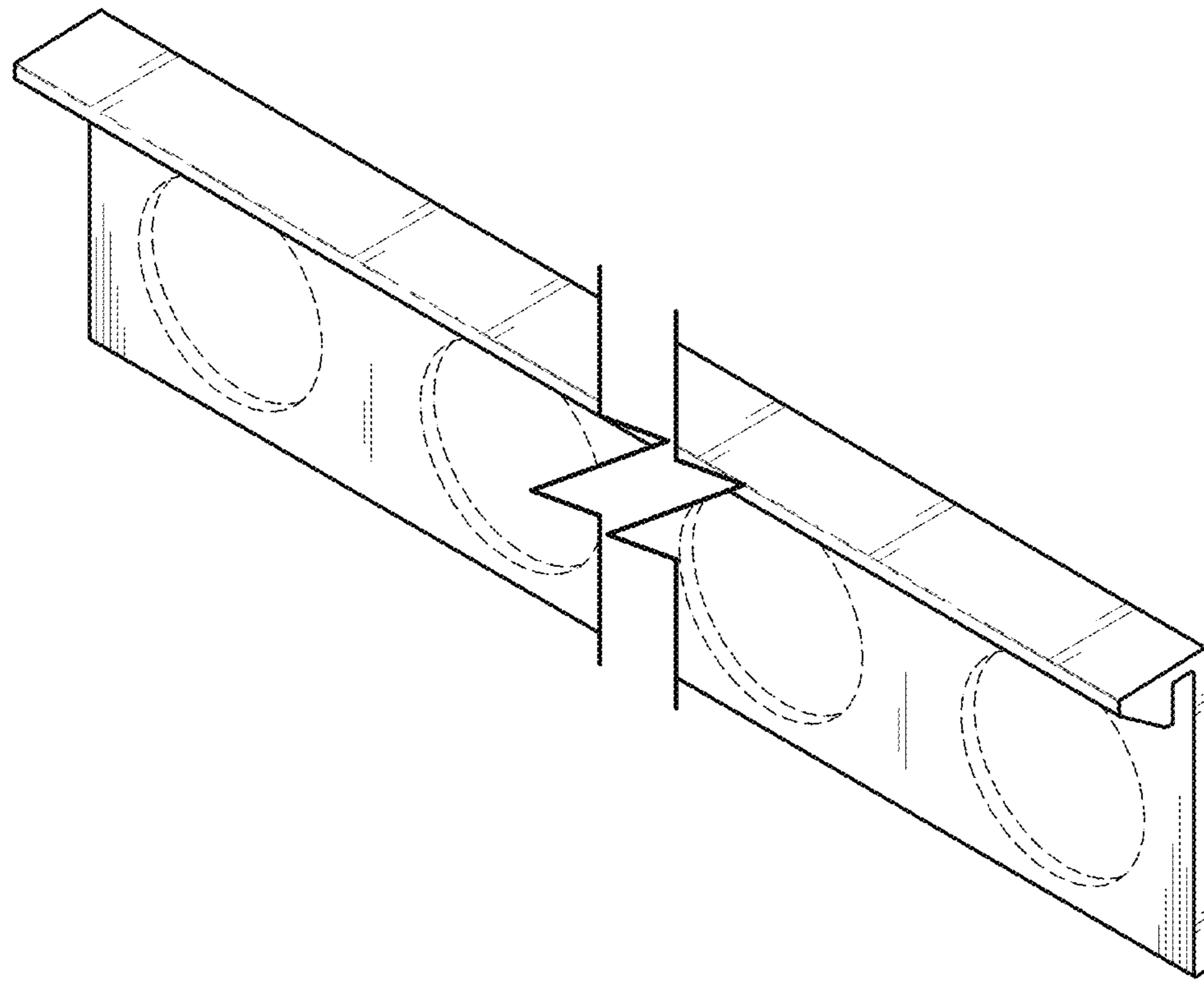


FIG. 22

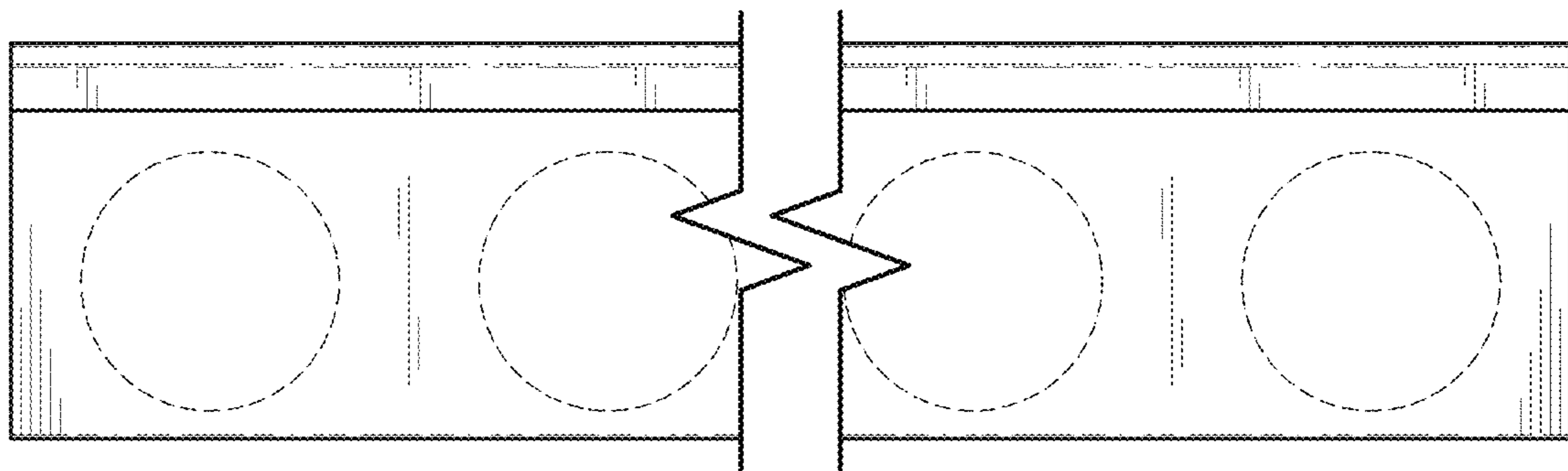
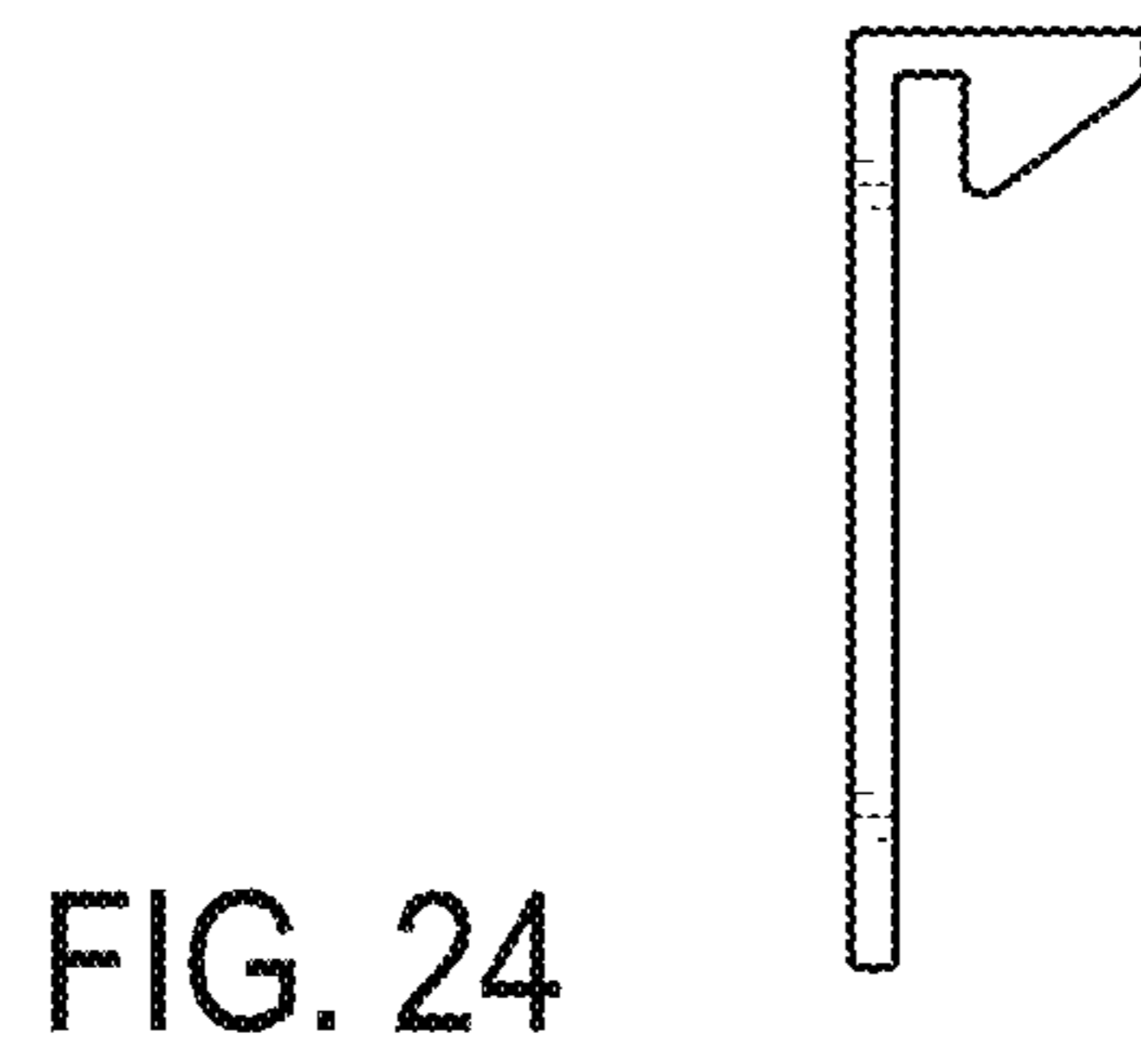
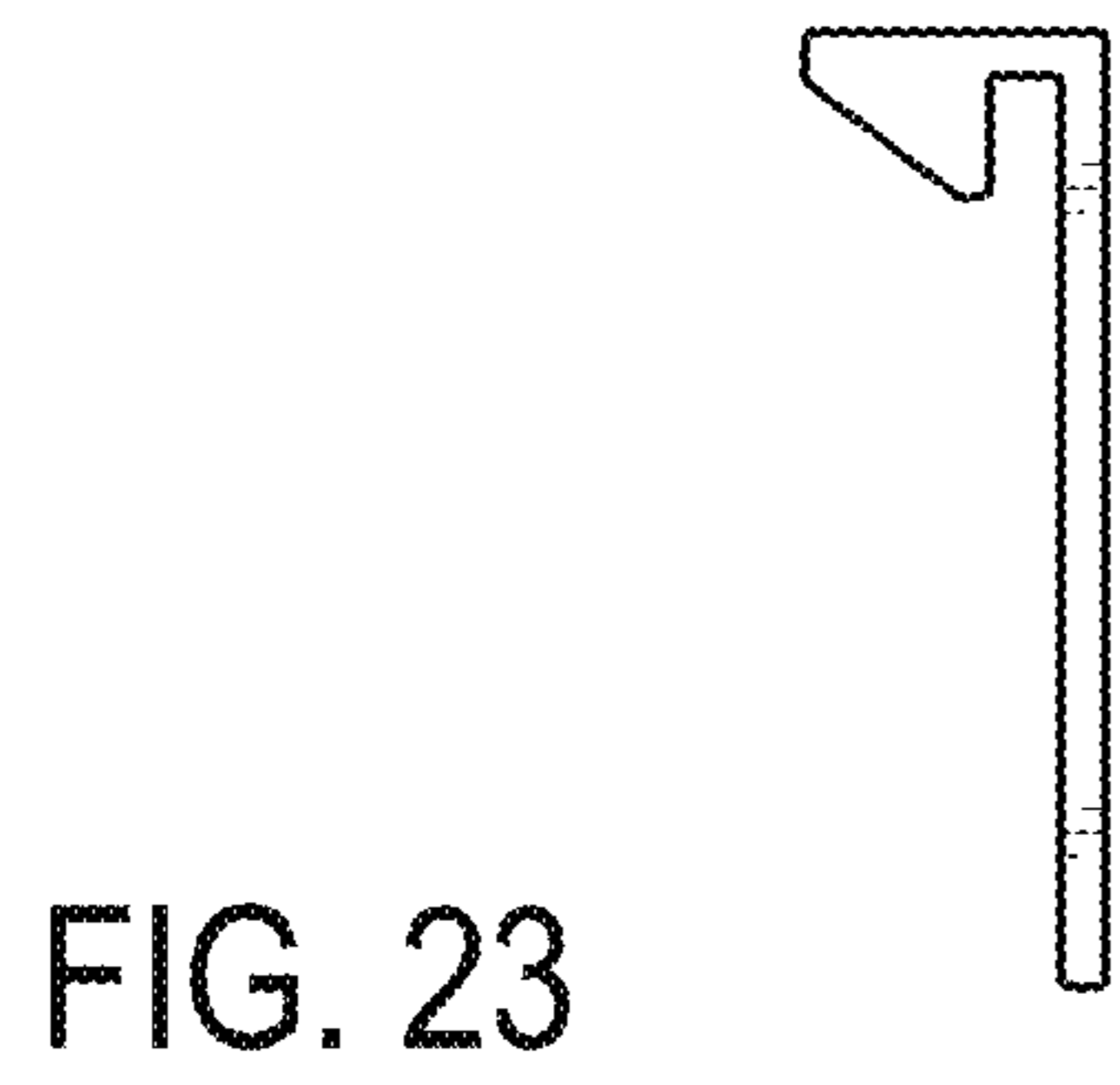


FIG. 25

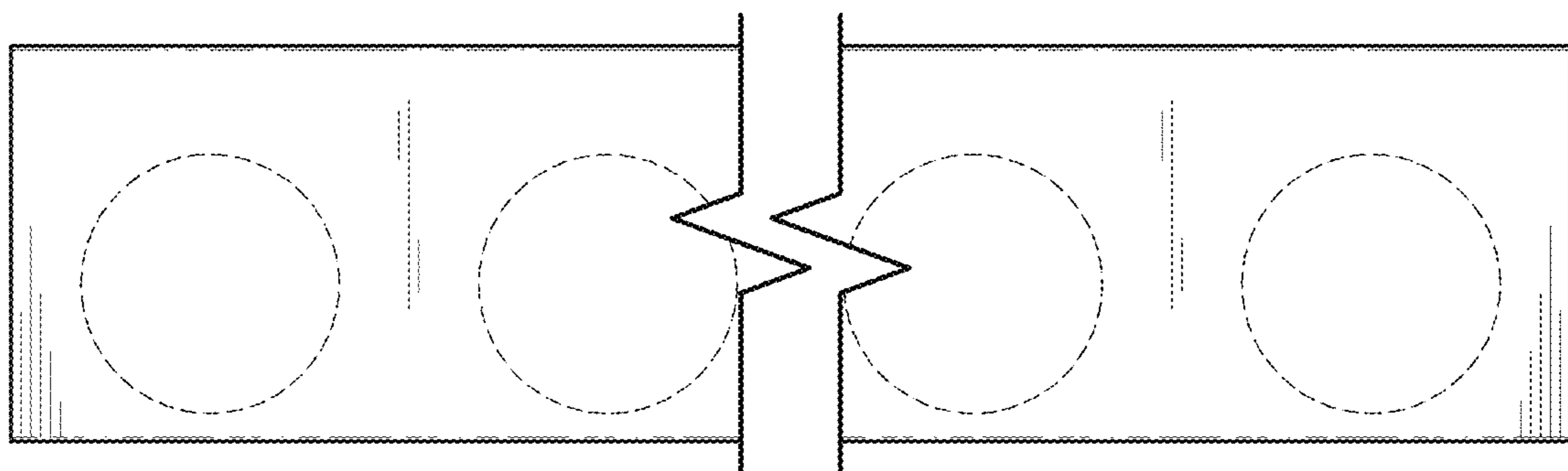


FIG. 26

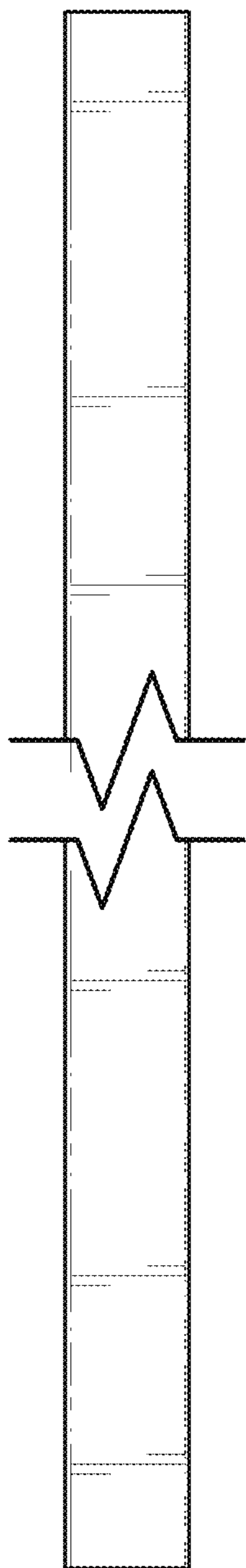


FIG. 27

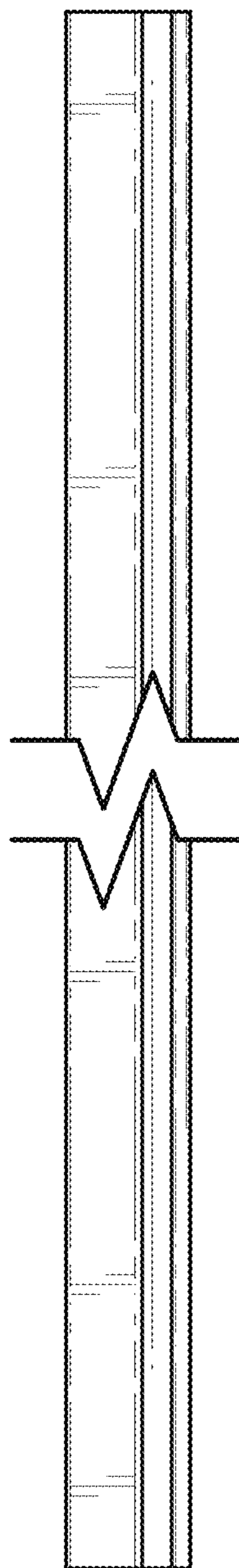


FIG. 28

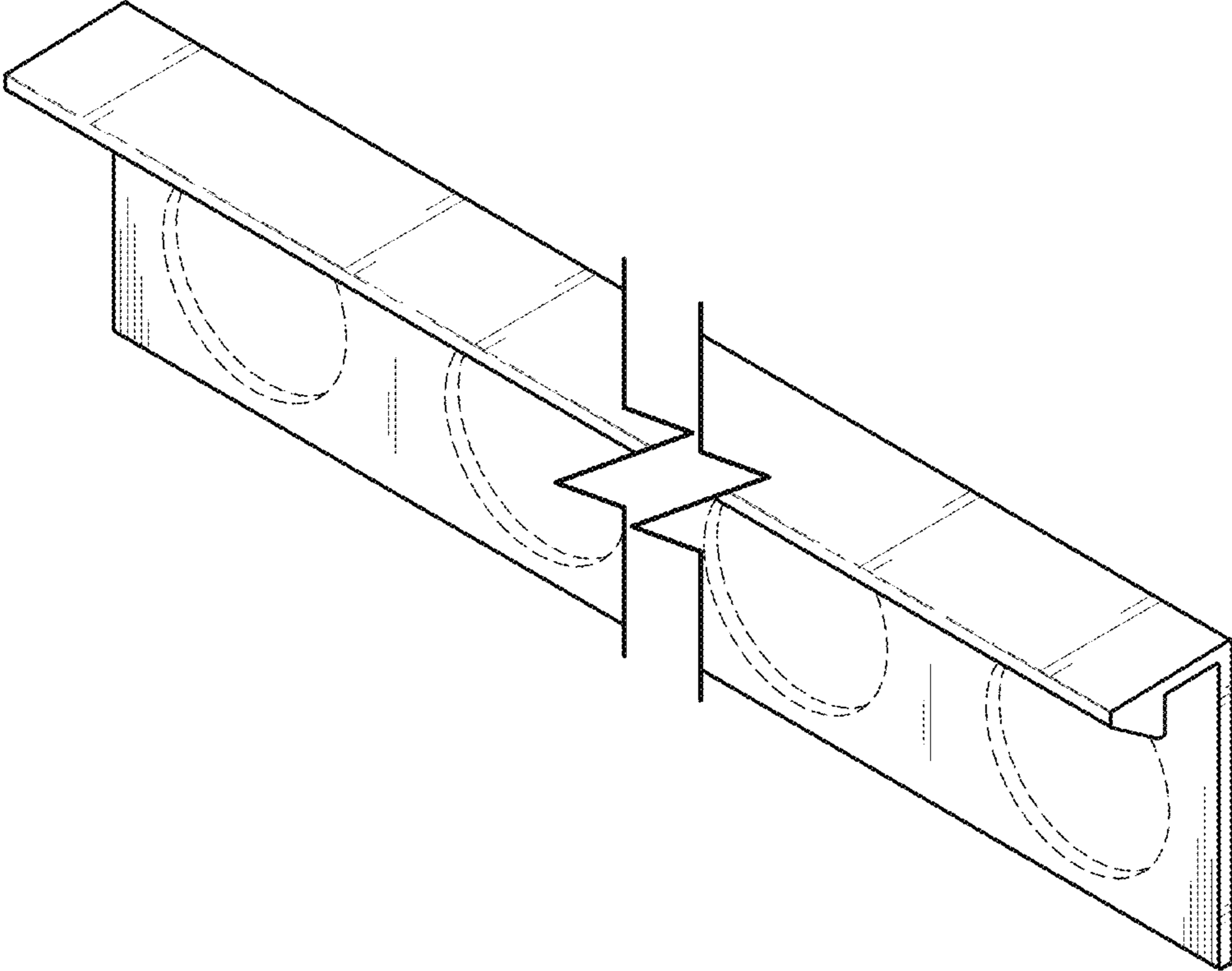


FIG. 29

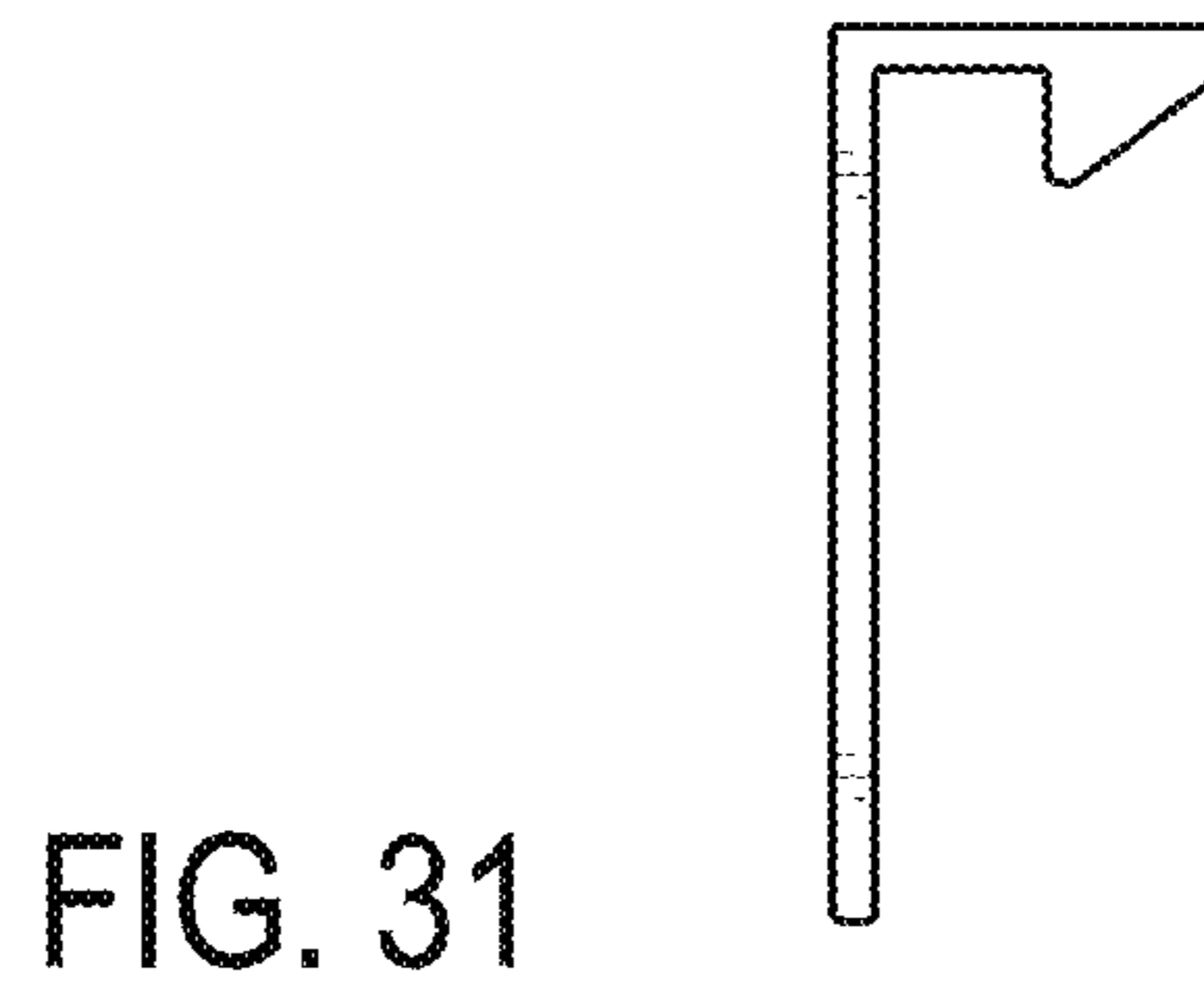
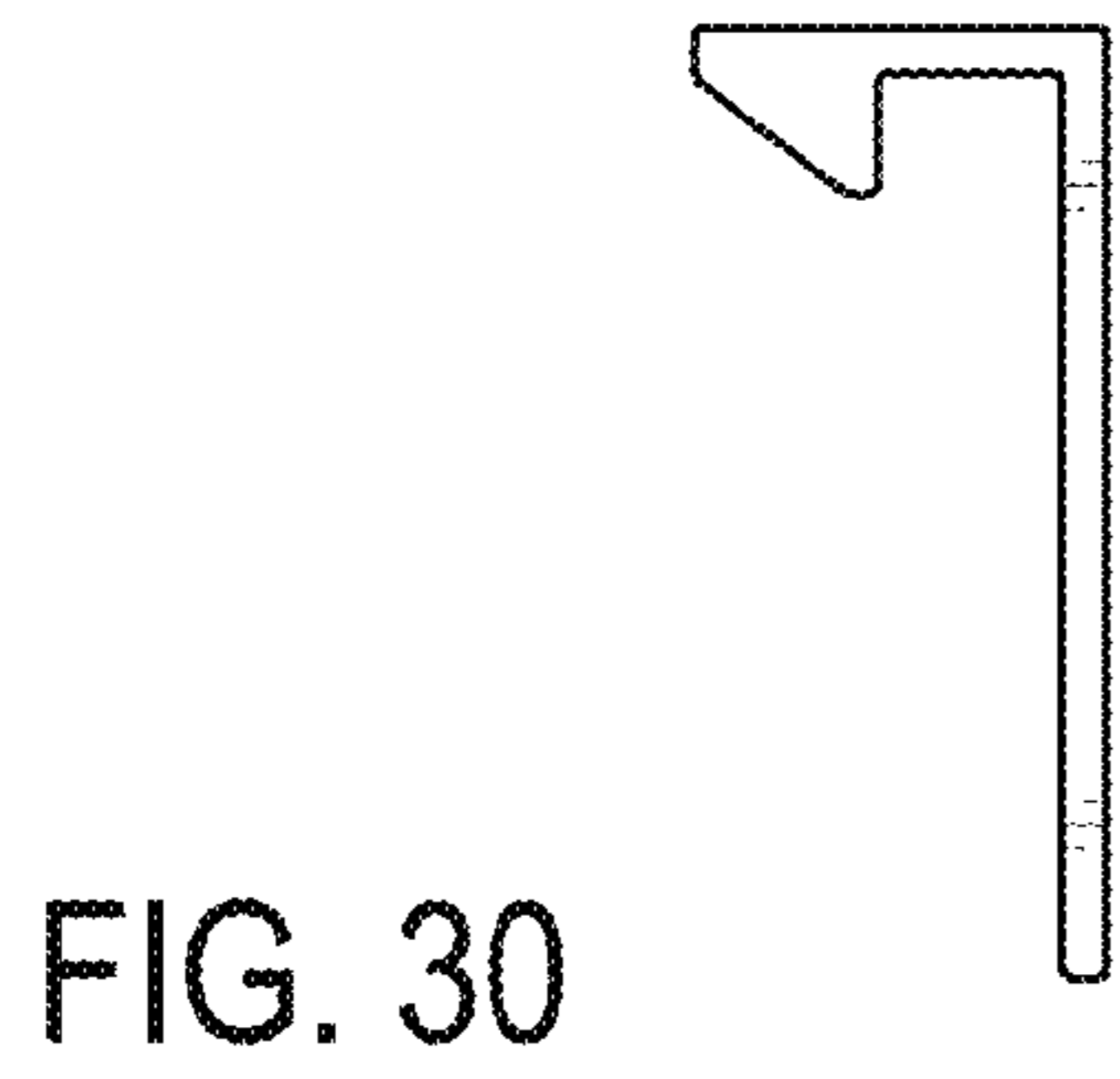


FIG. 30

FIG. 31

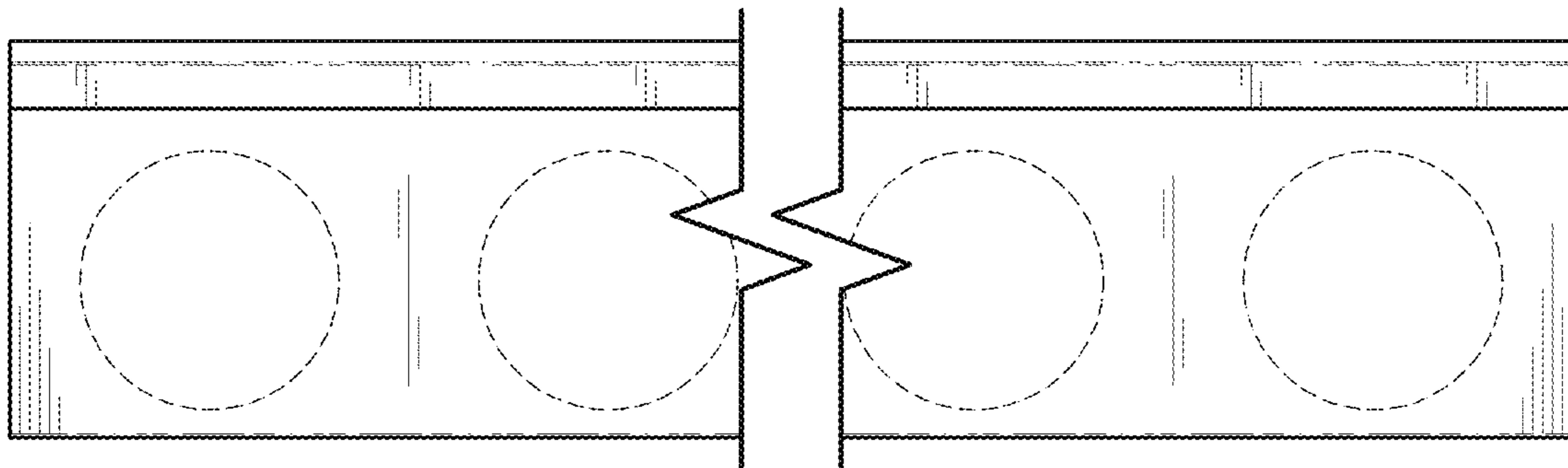


FIG. 32

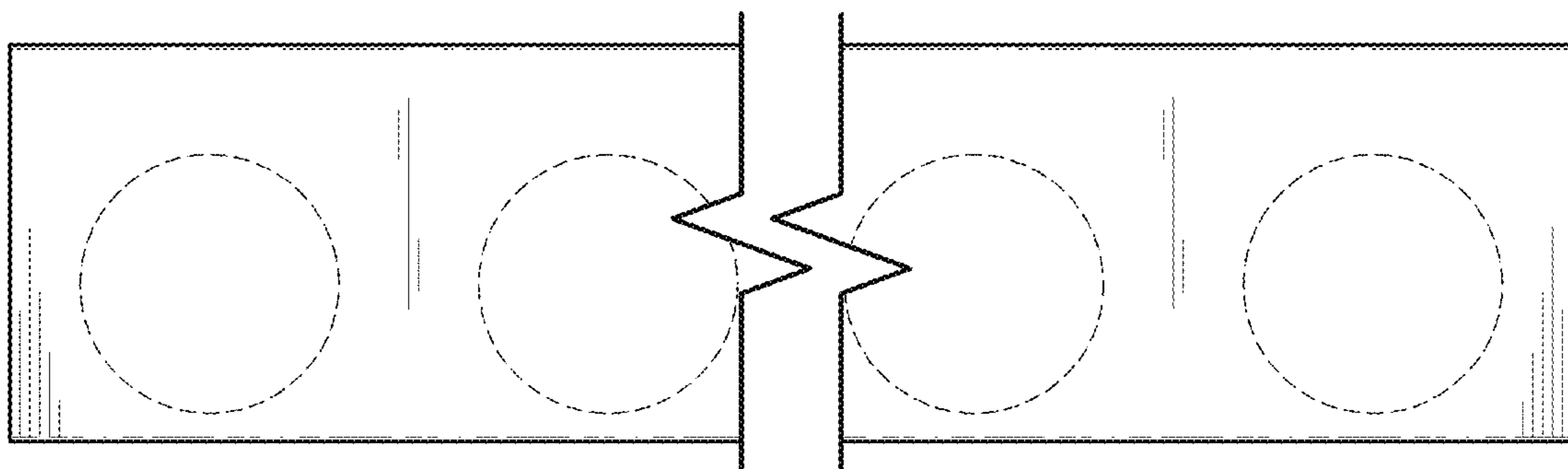


FIG. 33

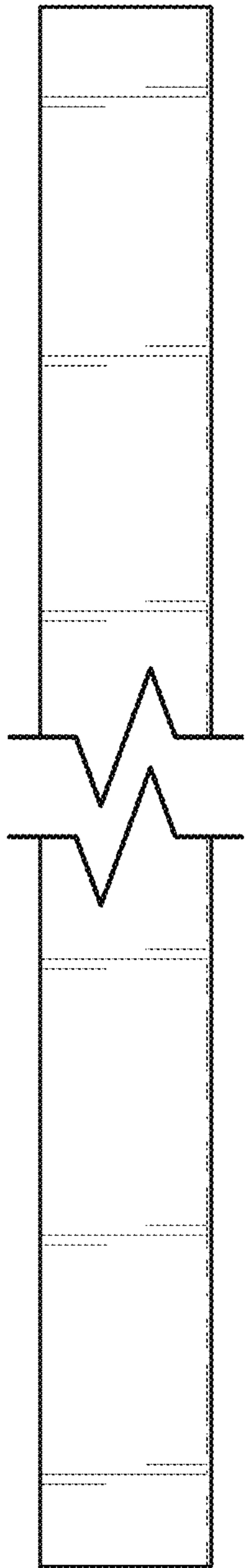


FIG. 34

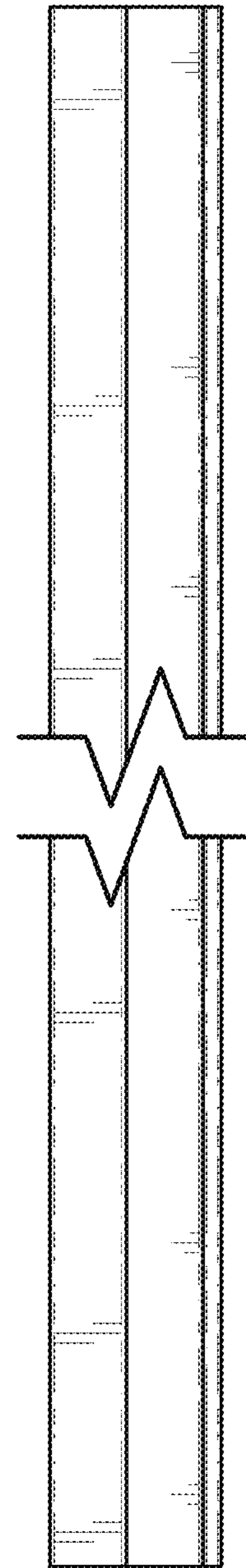


FIG. 35

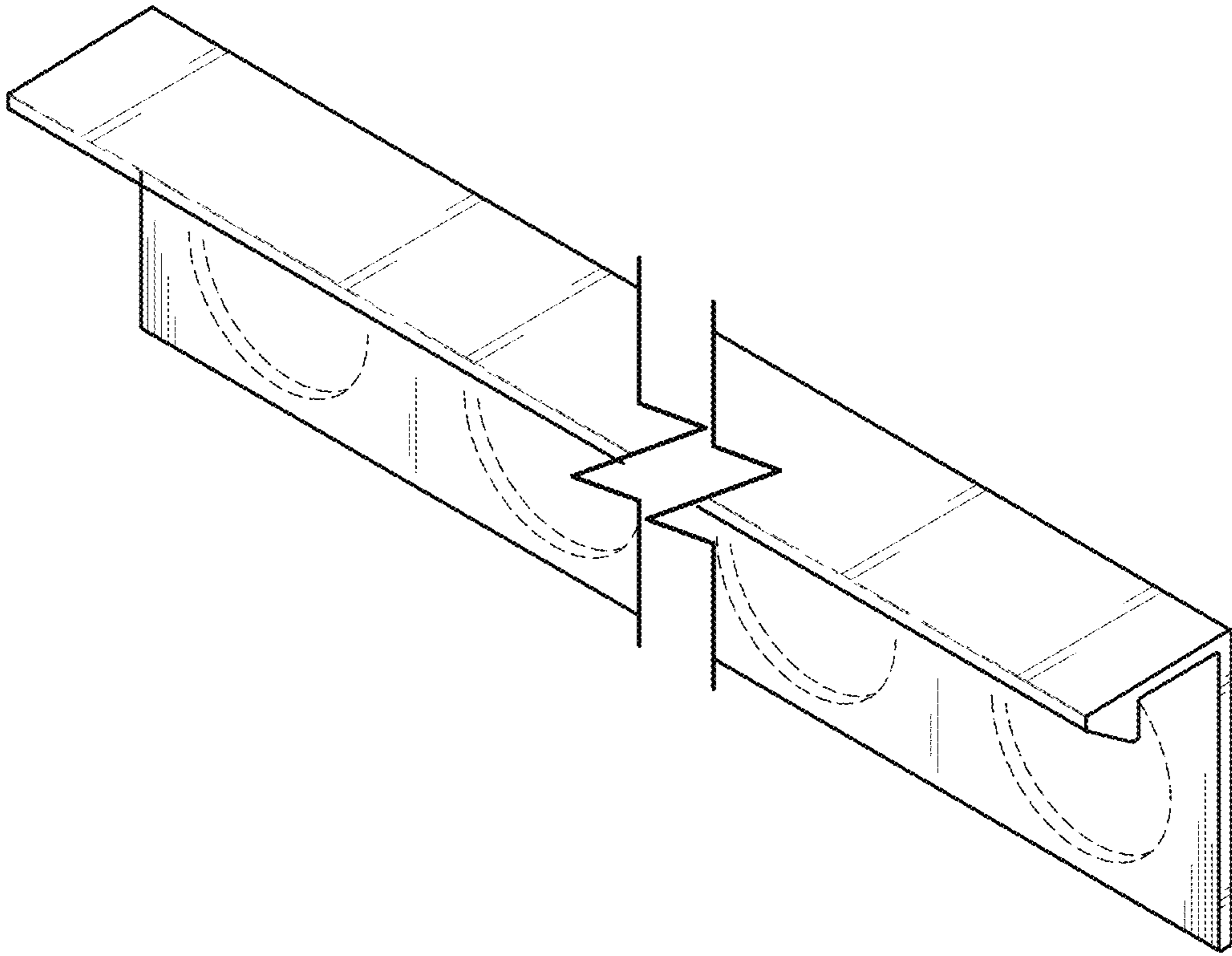
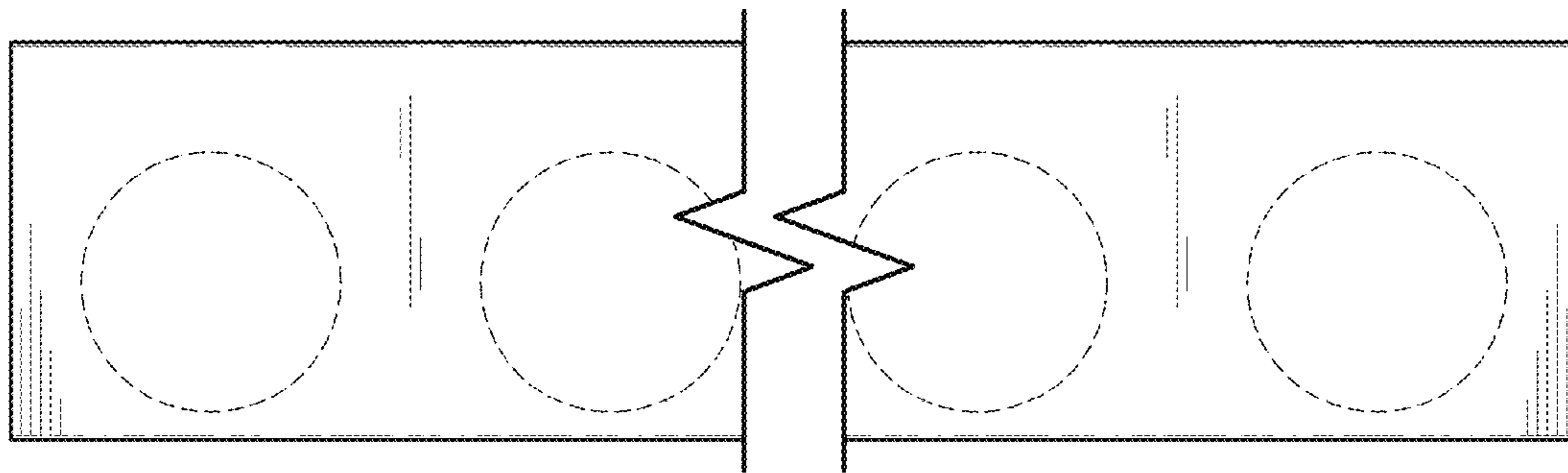
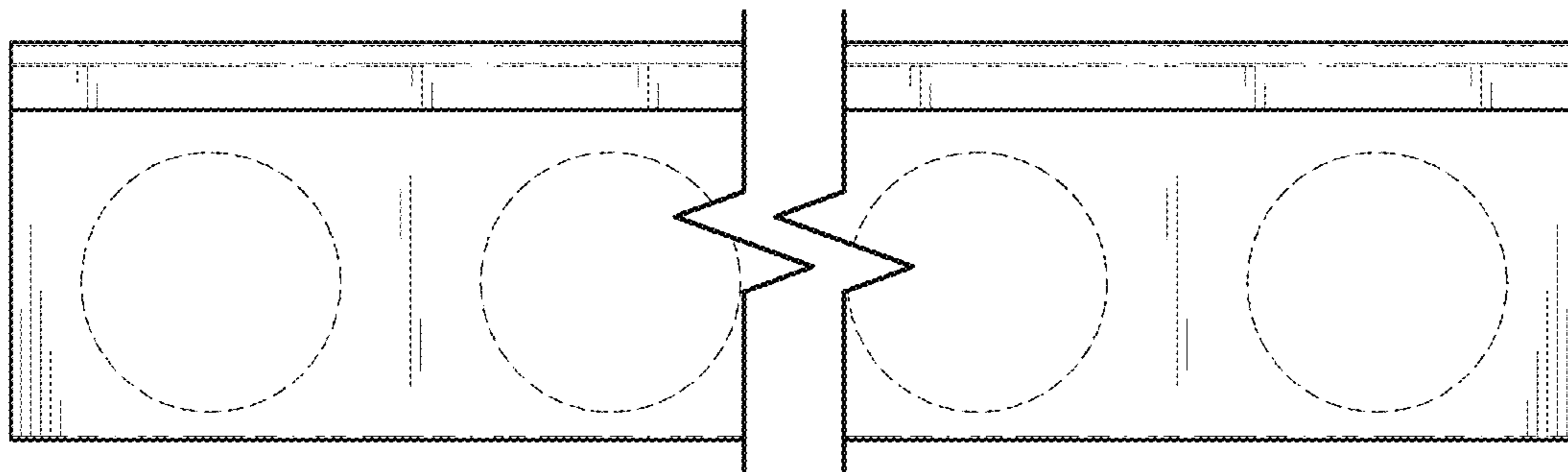
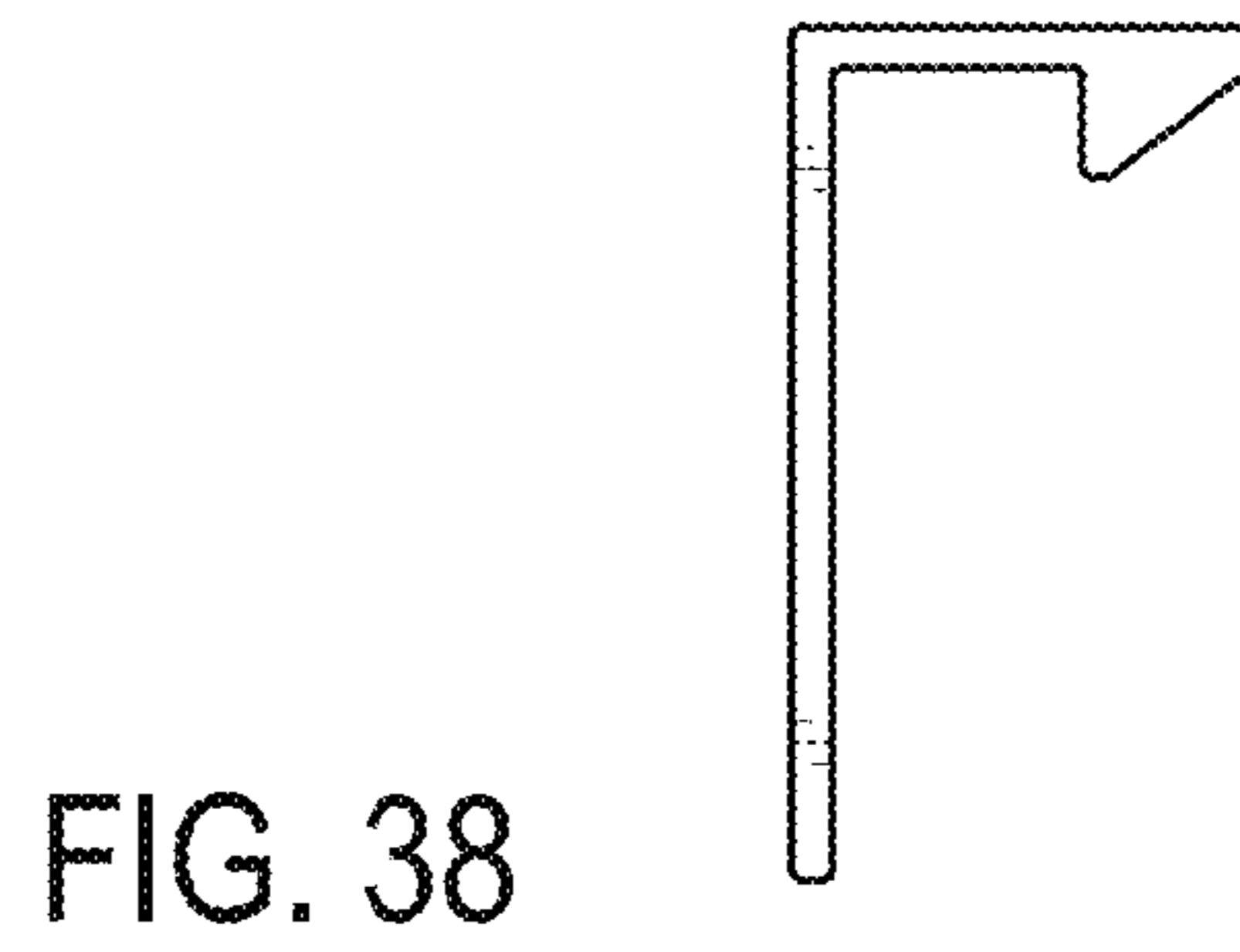
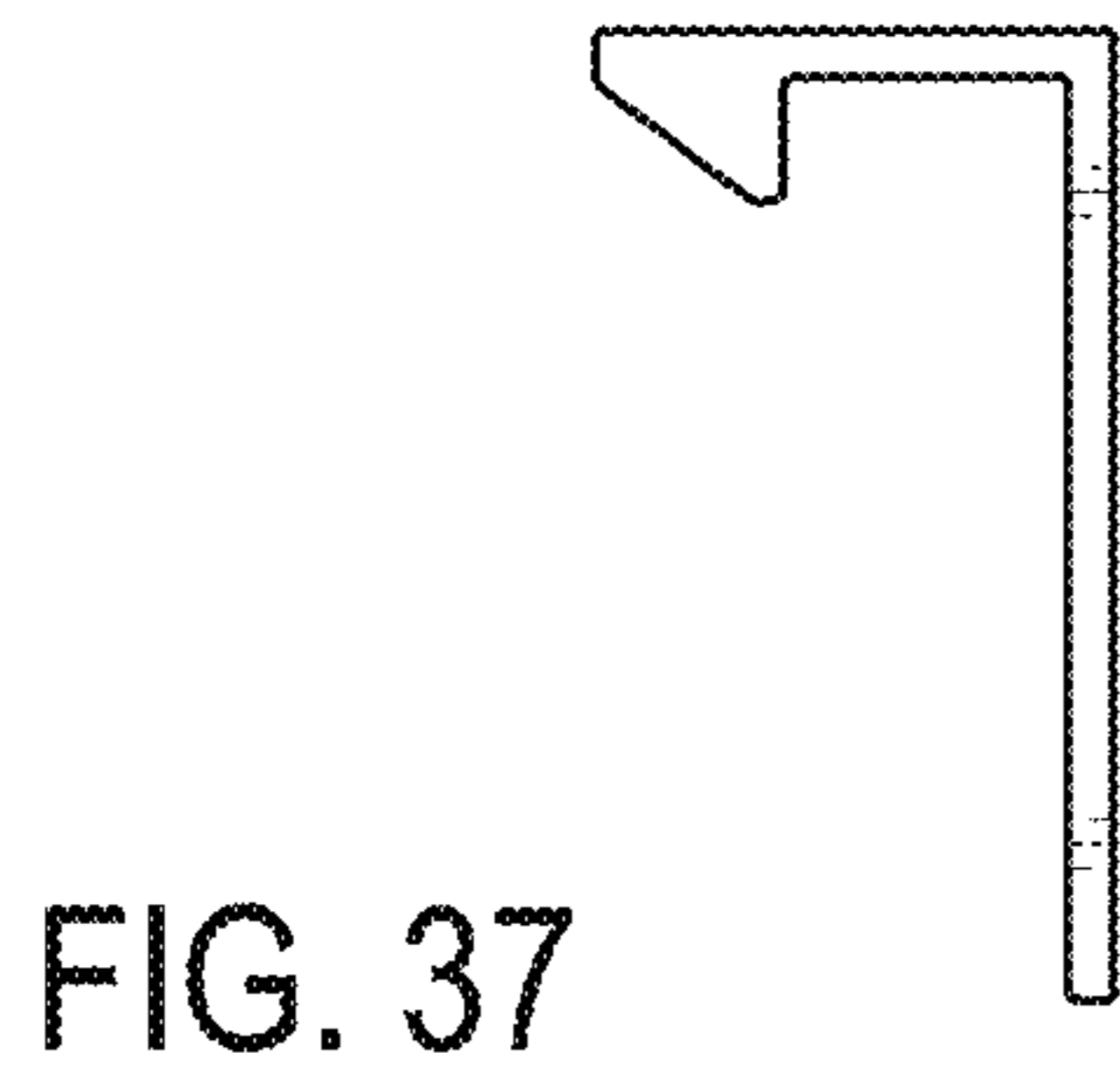


FIG. 36



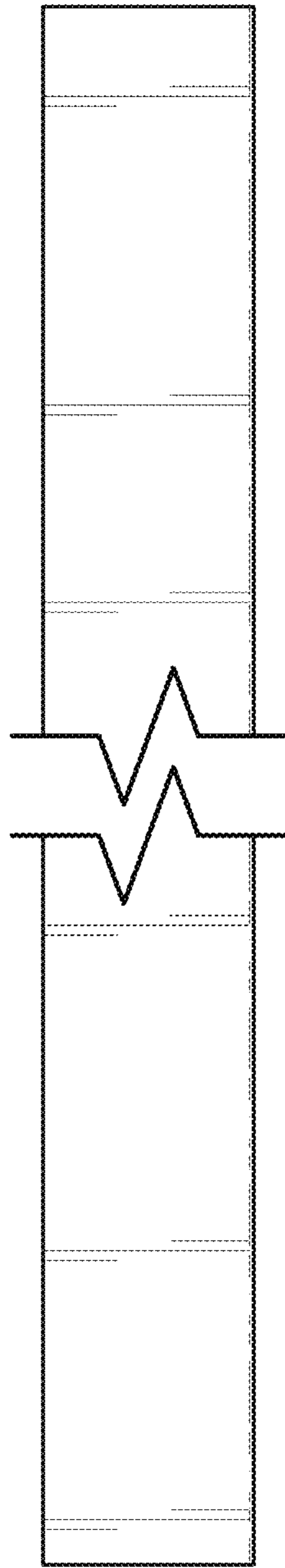


FIG. 41

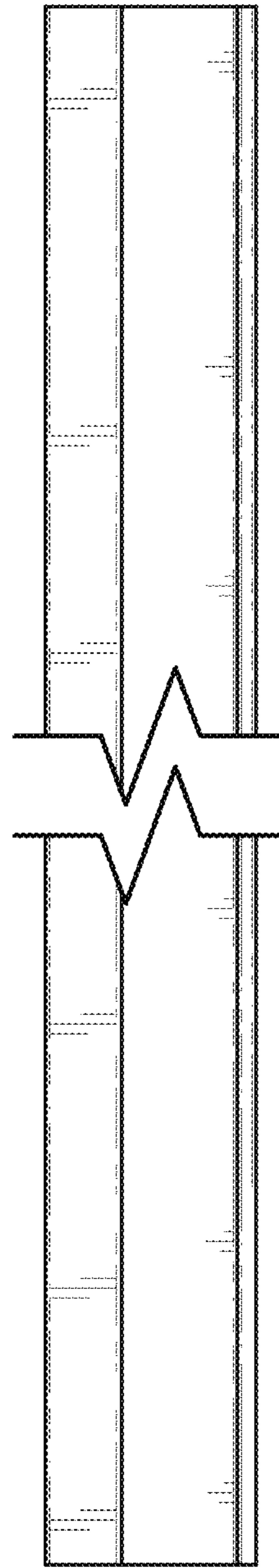


FIG. 42