



US00D774213S

(12) **United States Design Patent** (10) **Patent No.:** **US D774,213 S**  
**Baldoni et al.** (45) **Date of Patent:** **\*\* Dec. 13, 2016**

(54) **MOLDING SUPPORT ADAPTOR**  
(71) Applicant: **Concrete Countertop Solutions, Inc.**,  
Clarks Summit, PA (US)  
(72) Inventors: **Edwin Joseph Baldoni**, Union Dale,  
PA (US); **Dario Joseph Baldoni**,  
Boston, MA (US)  
(73) Assignee: **CONCRETE COUNTERTOP**  
**SOLUTIONS, INC.**, Clarks Summit,  
PA (US)

D325,641 S \* 4/1992 Dallaire ..... D25/121  
D325,786 S \* 4/1992 Dallaire ..... D25/119  
D472,332 S \* 3/2003 Wenrick ..... D25/119  
D573,267 S \* 7/2008 Brinton ..... D25/119  
D573,268 S \* 7/2008 Lundsgaard ..... D25/119  
D595,069 S \* 6/2009 Berry ..... D25/119  
D597,743 S \* 8/2009 Skinner ..... D25/119  
D719,280 S \* 12/2014 Hamilton ..... D25/121  
D740,968 S \* 10/2015 Stanfill ..... D25/119  
D745,707 S \* 12/2015 Ellingson ..... D25/119  
D755,409 S \* 5/2016 Hamilton ..... D25/121  
D759,758 S \* 6/2016 Garfinkle ..... D20/43

(\*\*) Term: **14 Years**

\* cited by examiner

(21) Appl. No.: **29/523,508**

*Primary Examiner* — Cynthia Ramirez

(22) Filed: **Apr. 10, 2015**

*Assistant Examiner* — Llorellys Martinez-Rivera

(51) **LOC (10) Cl.** ..... **25-01**

(74) *Attorney, Agent, or Firm* — Morgan, Lewis &  
Bockius LLP

(52) **U.S. Cl.**

USPC ..... **D25/119**

(58) **Field of Classification Search**

(57) **CLAIM**

USPC ..... D25/35, 38.1, 39, 40, 41.1, 42, 43, 44,  
D25/48.3, 48.4, 58, 60, 61, 119–129, 132,  
D25/136, 138; 52/204.1, 204.5, 208, 210,  
52/211–213, 287.1, 290, 292–297, 302.1,  
52/416, 417, 419, 420, 459, 461, 464,  
52/465, 468–471, 717.01–717.06,  
52/718.01–718.04; D8/323, 349,  
D8/354–355, 366, 367, 373–375, 380,  
D8/381, 386, 400–403; D6/329, 394–396,  
D6/675.2, 675.4, 675.5, 702, 709.21,  
D6/711.1, D6/712; D20/42–44  
CPC ..... E06B 1/34; E06B 1/6053; E06B 1/6076;  
E06B 1/16; E06B 2003/26312; E06B  
2003/6217; E06B 2003/261; E06B  
2003/26352; E06B 3/88; E06B  
3/9636; E06B 3/16; E06B 7/14; E06B  
5/161

The ornamental design for a molding support adaptor, as shown and described.

See application file for complete search history.

**DESCRIPTION**

FIG. 1 is a front perspective view of a molding support adaptor in accordance with our new design;  
FIG. 2 is a front elevational view of the molding support adaptor shown in FIG. 1;  
FIG. 3 is a rear elevational view of the molding support adaptor shown in FIG. 1;  
FIG. 4 is a left side elevation view of the molding support adaptor shown in FIG. 1, the right side elevation view being a mirror image thereof;  
FIG. 5 is a top plan view of the molding support adaptor shown in FIG. 1; and,  
FIG. 6 is a bottom plan view of the molding support adaptor shown in FIG. 1.

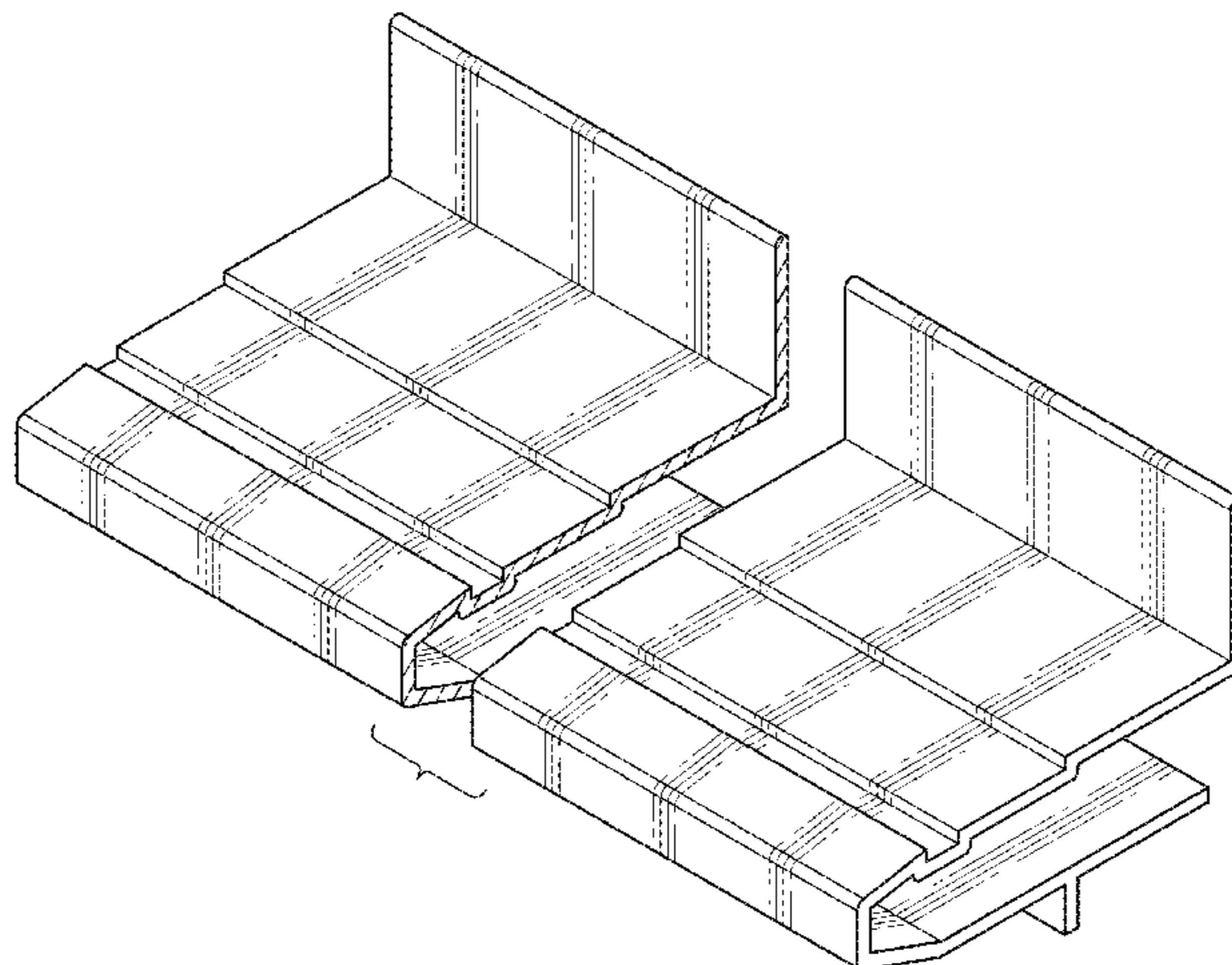
The molding support adaptor is shown with a symbolic break in its length. The appearance of any portion of the molding support adaptor between the break lines forms no part of the claimed design.

(56) **References Cited**

**U.S. PATENT DOCUMENTS**

D174,131 S \* 3/1955 Mortrude ..... D25/119  
D228,992 S \* 11/1973 Ramsey ..... D25/119

**1 Claim, 6 Drawing Sheets**



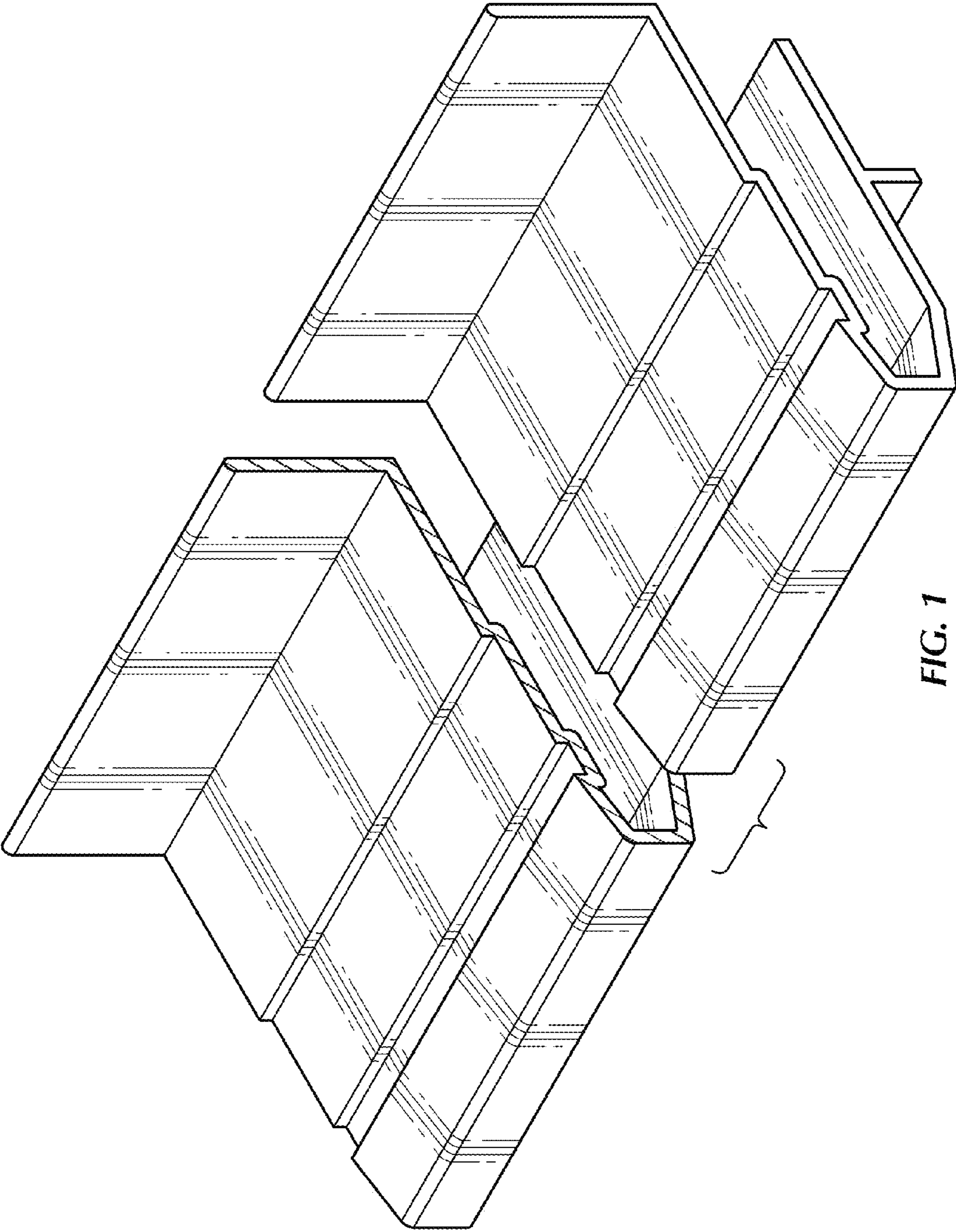


FIG. 1

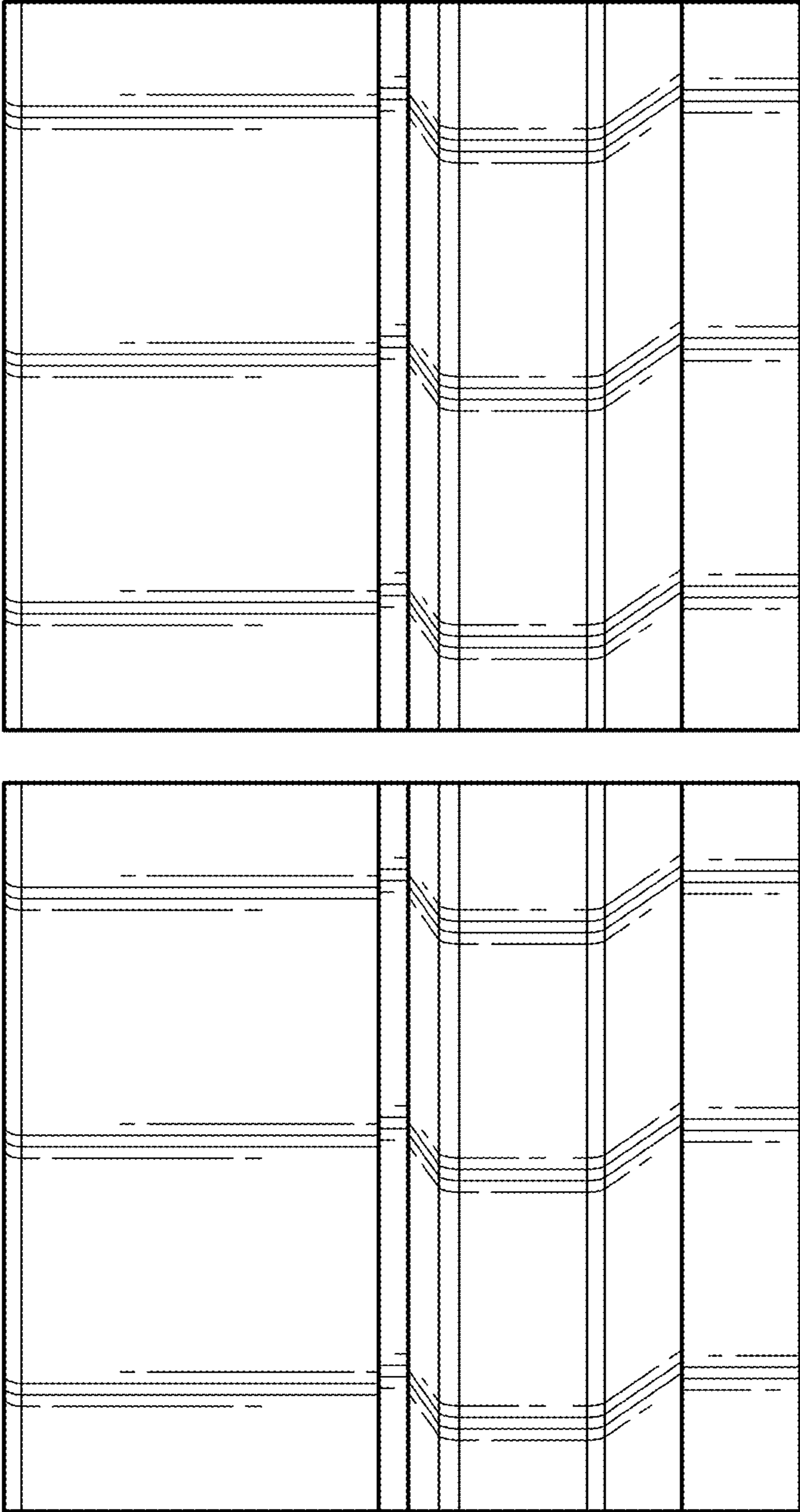


FIG. 2



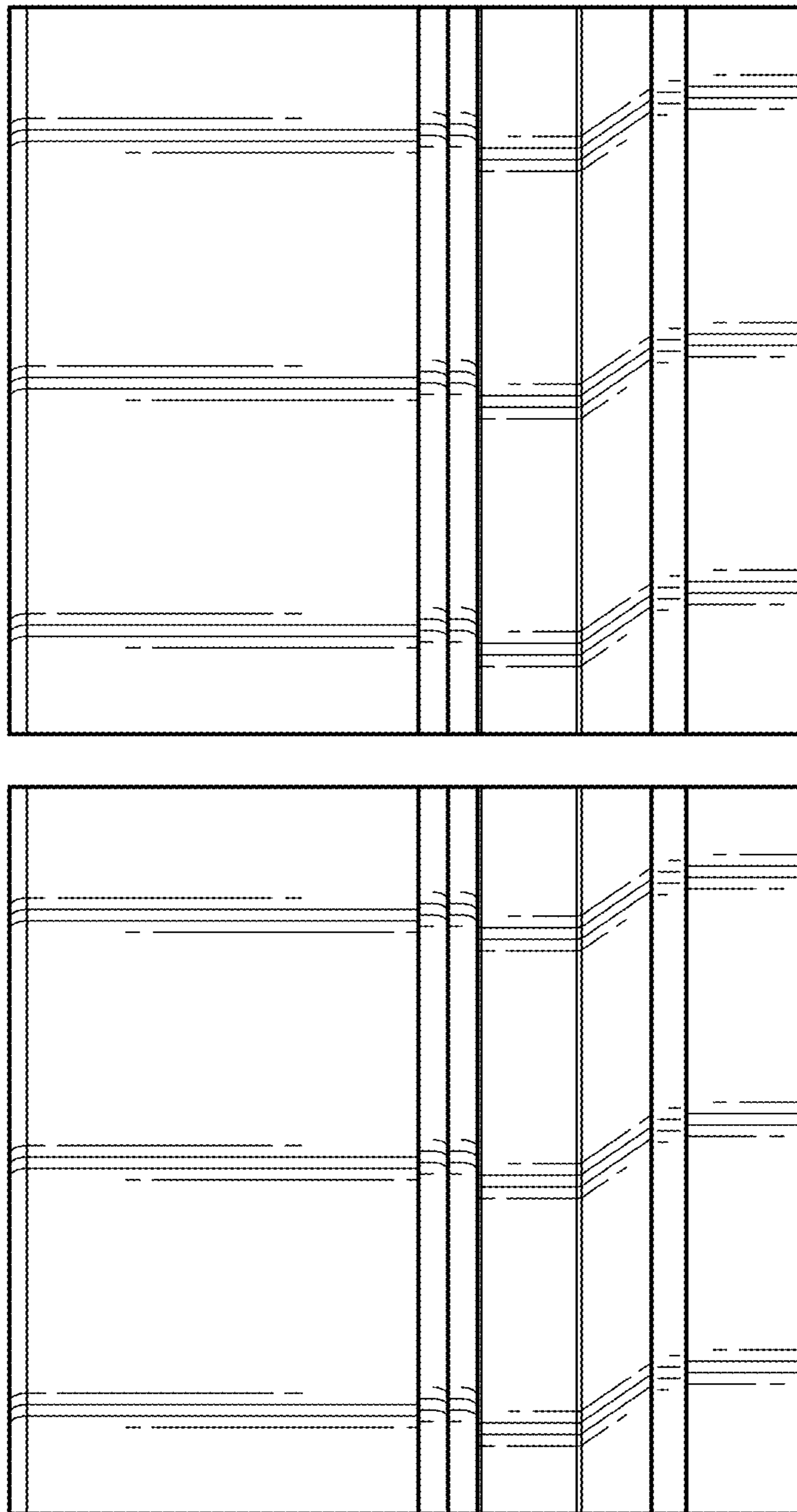
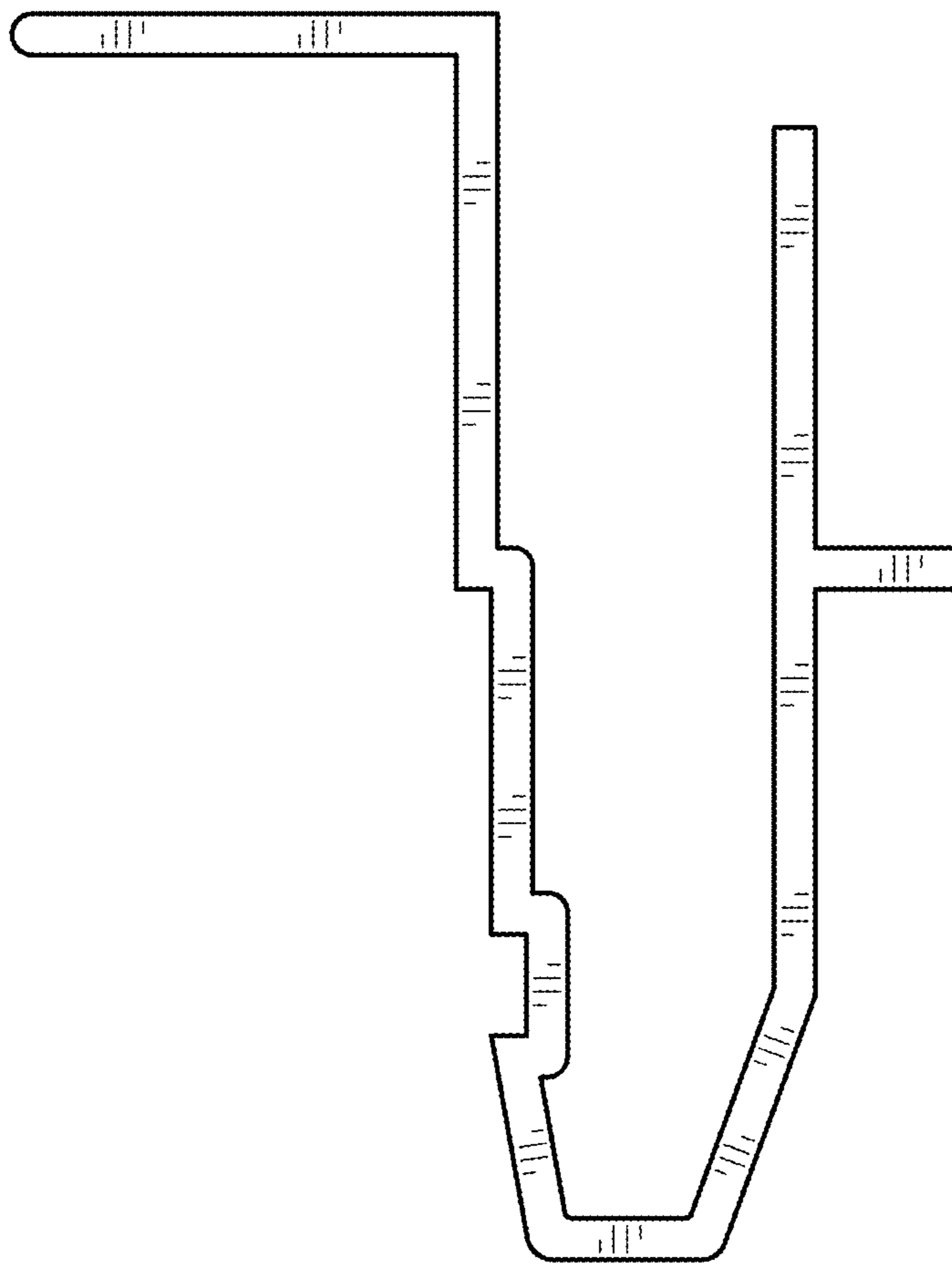


FIG. 3



**FIG. 4**

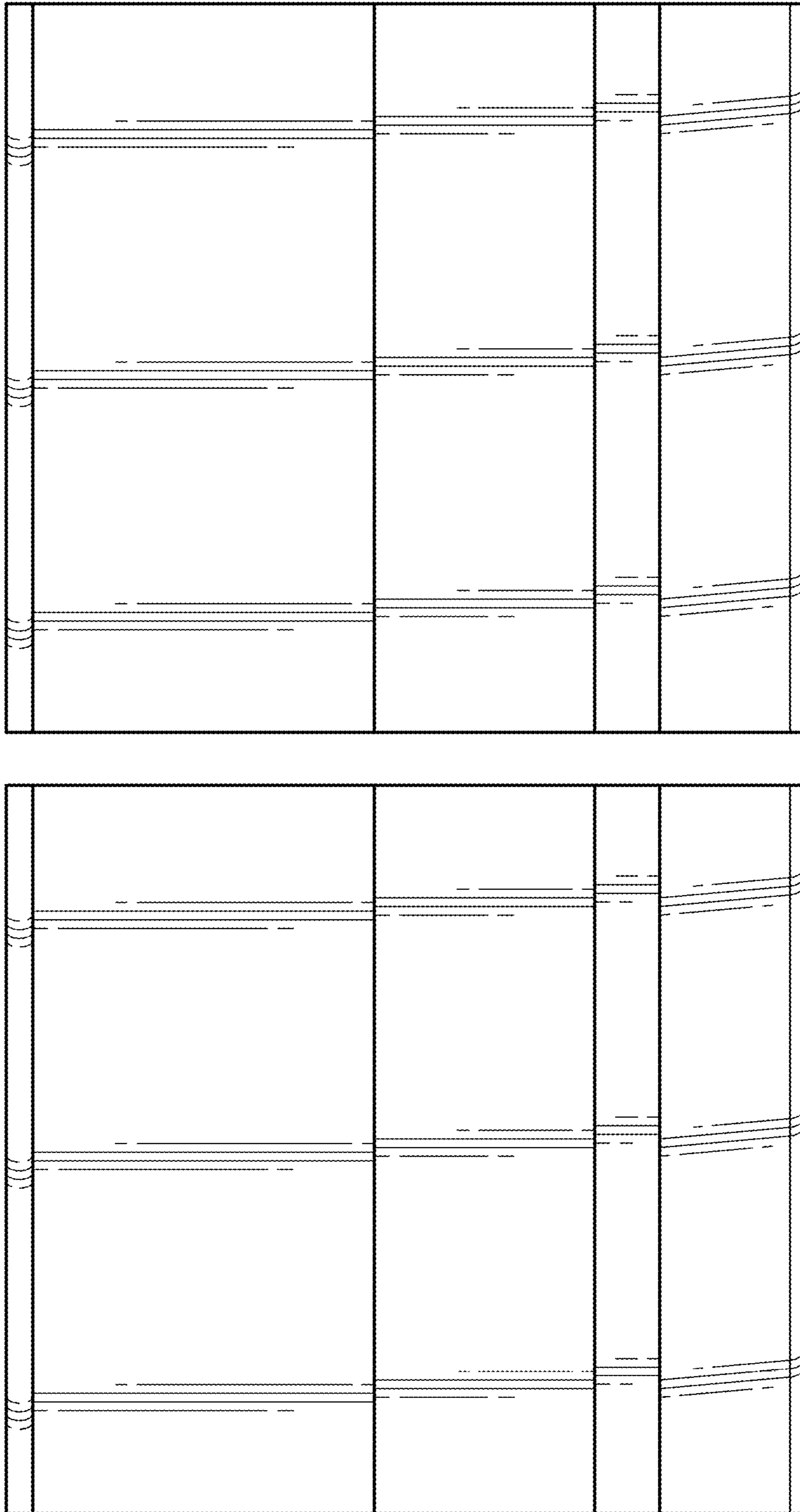


FIG. 5

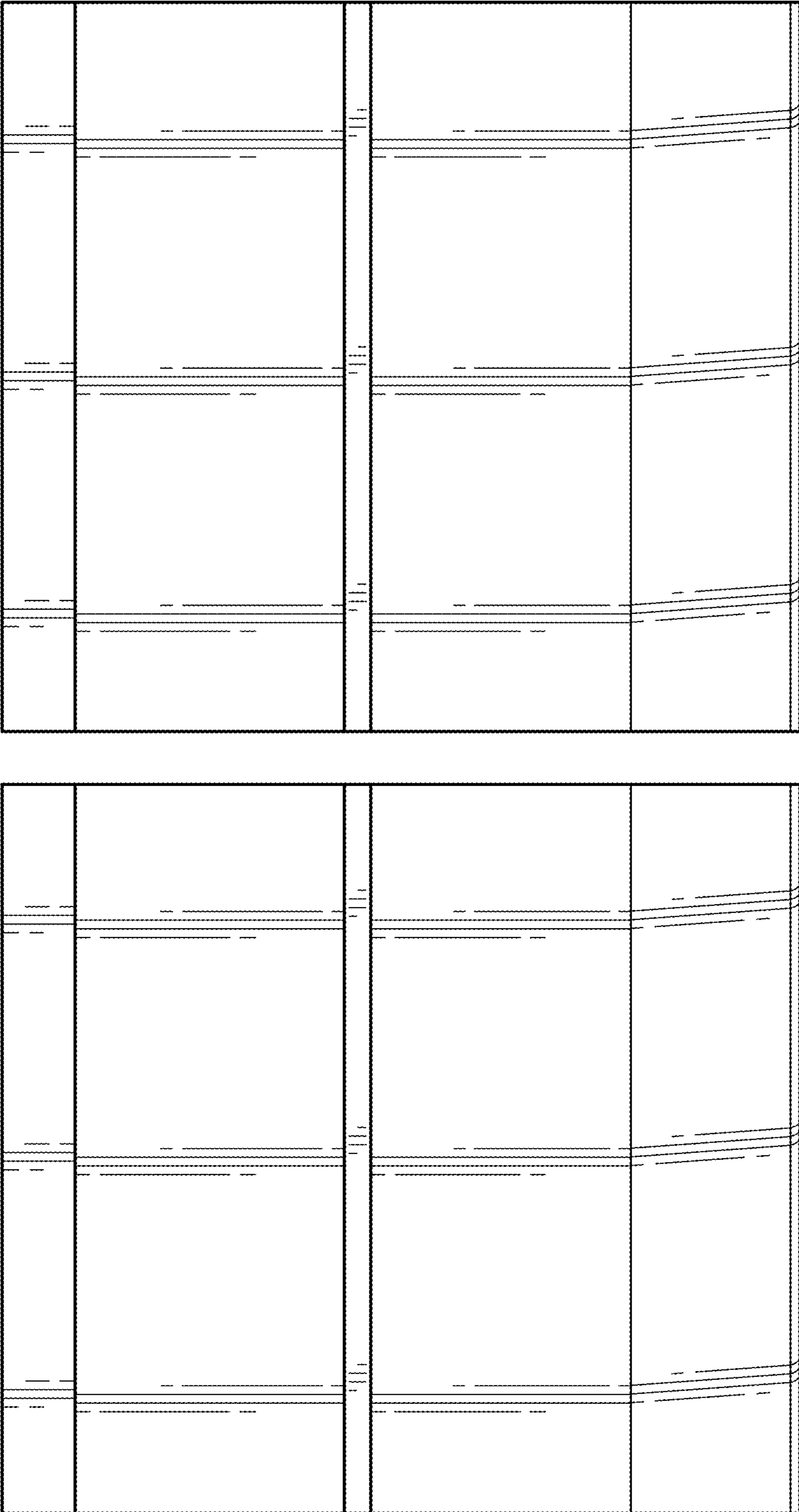


FIG. 6