



US00D774210S

(12) **United States Design Patent** (10) **Patent No.:** **US D774,210 S**
Schanz (45) **Date of Patent:** **** Dec. 13, 2016**

(54) **ROLL-SHUTTER SLAT**

OTHER PUBLICATIONS

(71) Applicant: **Joachim Schanz**, Sarasota, FL (US)
(72) Inventor: **Joachim Schanz**, Sarasota, FL (US)
(73) Assignee: **Alutech United Inc**, Sarasota, FL (US)
(**) Term: **14 Years**

<http://new.alutech.com/products/alu-star-roll-shutters/mini-over-head-door-shutter/magnum.htm> Retrieved Apr. 5, 2016.*

Primary Examiner — Susan Bennett Hattan
Assistant Examiner — Leanne Was
(74) *Attorney, Agent, or Firm* — David Kiewit

(21) Appl. No.: **29/518,593**

(57) **CLAIM**

(22) Filed: **Feb. 25, 2015**

The ornamental design for a roll-shutter slat, as shown in the drawings.

(51) **LOC (10) Cl.** **25-02**

(52) **U.S. Cl.**
USPC **D25/48.4**

DESCRIPTION

(58) **Field of Classification Search**

USPC D25/47.1, 48.1, 48.4, 48.8; 52/473;
160/23.1, 32, 41, 98, 99, 104, 120, 133,
160/233, 235, 236, 238
CPC E06B 9/04; E06B 9/15; E06B 9/34;
E06B 9/58; E06B 9/0638; E06B 9/1544
See application file for complete search history.

FIG. 1 is a right-side view of a roll-shutter slat showing my new design, the left side view being a mirror image thereof; FIG. 2 is a top plan view thereof, wherein the broken lines depict the boundaries of the claim and wherein the area between the broken lines forms no part of the claimed design;

FIG. 3 is a bottom view thereof, wherein the broken lines depict the boundaries of the claim and wherein the area between the broken lines forms no part of the claimed design;

FIG. 4 is a front elevational view thereof, wherein the broken lines depict the boundaries of the claim and wherein the area between the broken lines forms no part of the claimed design;

FIG. 5 is a rear view thereof, wherein the broken lines depict the boundaries of the claim and wherein the area between the broken lines forms no part of the claimed design; and,

FIG. 6 is a perspective view thereof wherein the broken lines depict the boundaries of the claim and wherein the area between the broken lines forms no part of the claimed design.

The broken lines depict portions of the roll-shutter slat that form no part of the claimed design.

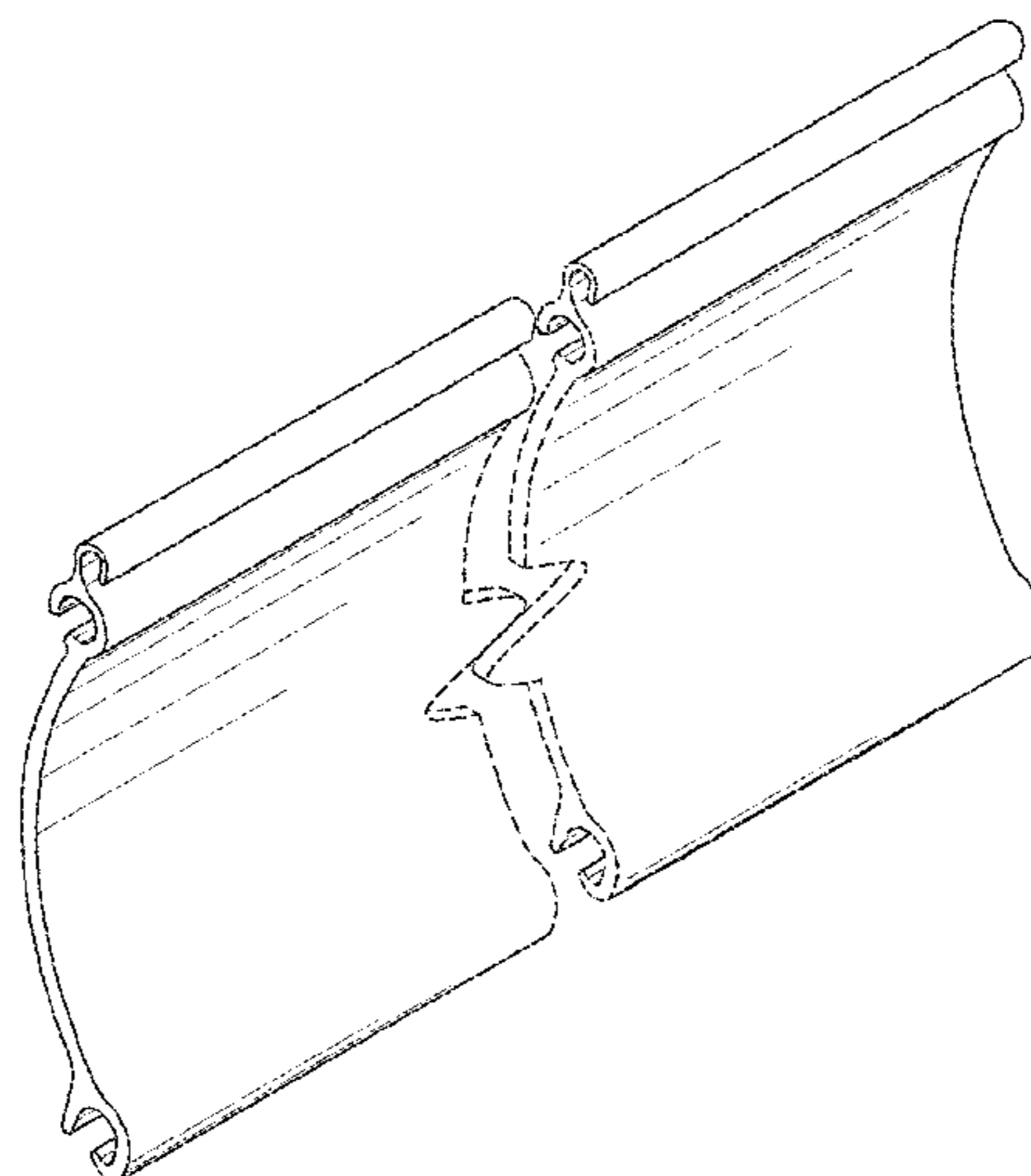
(56) **References Cited**

U.S. PATENT DOCUMENTS

1,014,611 A * 1/1912 Rush E06B 9/15
160/235
1,367,240 A * 2/1921 Cornell E06B 9/15
160/133
1,632,219 A * 6/1927 Deller E06B 9/15
160/235
5,839,493 A 11/1998 Quasius
6,095,225 A 8/2000 Miller
6,631,749 B1 10/2003 Zabala
D601,716 S * 10/2009 Konrad D25/48.4
D617,006 S * 6/2010 Konrad D25/48.4
D630,771 S * 1/2011 Munoz Escribano D25/124
8,584,731 B1 * 11/2013 Konrad E06B 9/15
160/133
8,857,497 B1 * 10/2014 Konrad E06B 9/15
160/183

(Continued)

1 Claim, 3 Drawing Sheets



(56)

References Cited

U.S. PATENT DOCUMENTS

9,074,411	B2 *	7/2015	Miller	E06B 9/15
D750,276	S *	2/2016	Hicks	D25/48.4
2005/0205222	A1 *	9/2005	Miller	E06B 9/581 160/236
2005/0205223	A1 *	9/2005	Miller	E06B 9/15 160/236
2007/0221341	A1 *	9/2007	Schanz	E06B 9/58 160/133
2015/0101762	A1 *	4/2015	Miller	E06B 9/171 160/133

* cited by examiner

FIG. 1

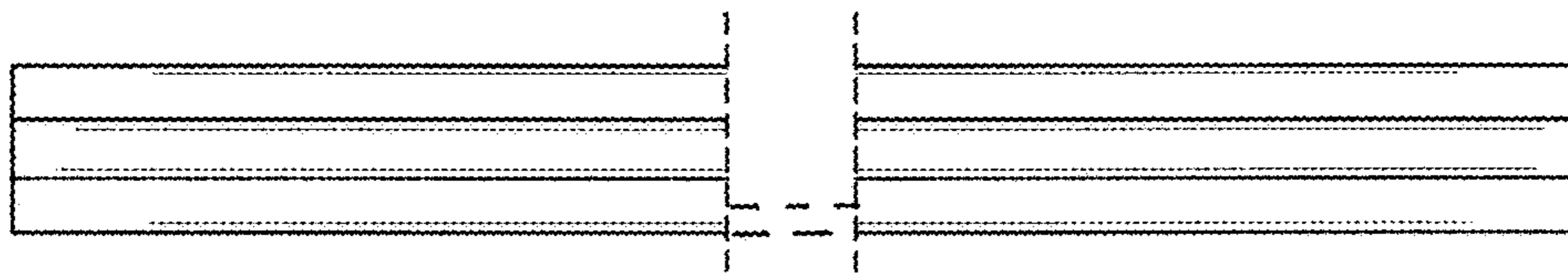
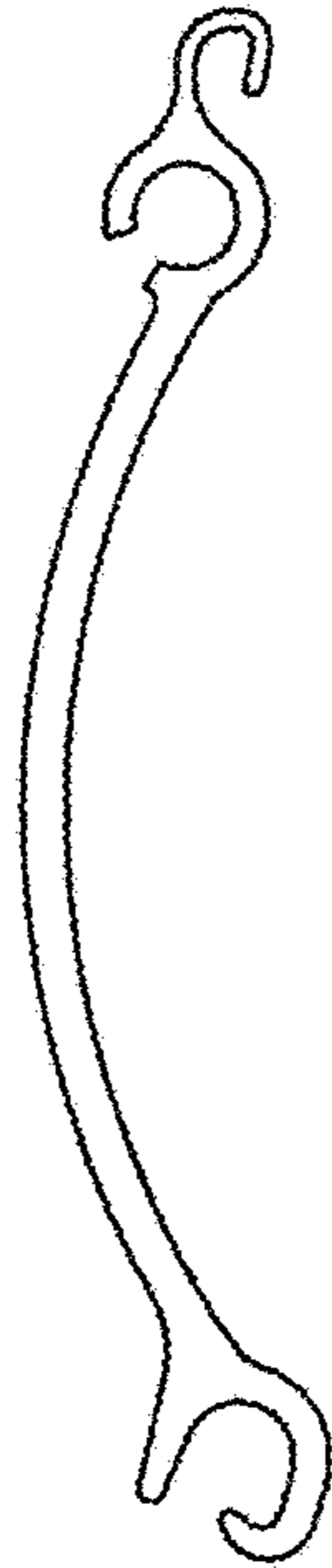


FIG. 2

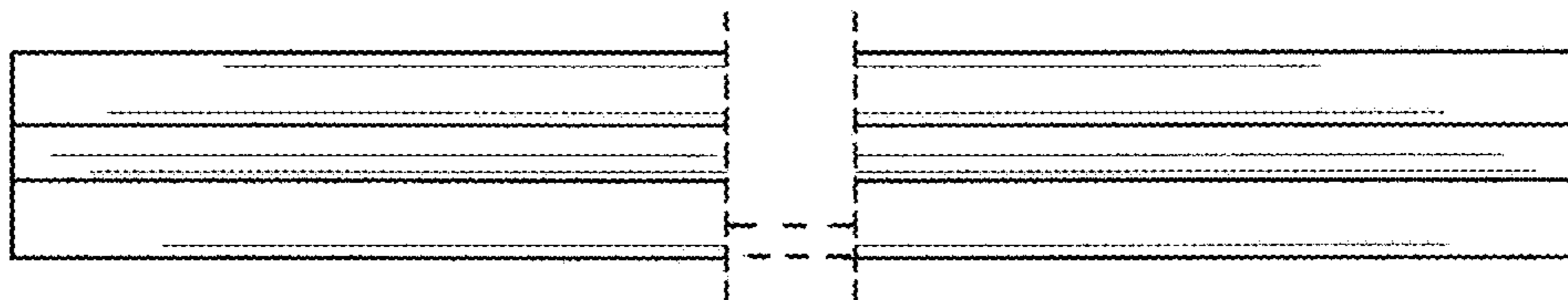


FIG. 3

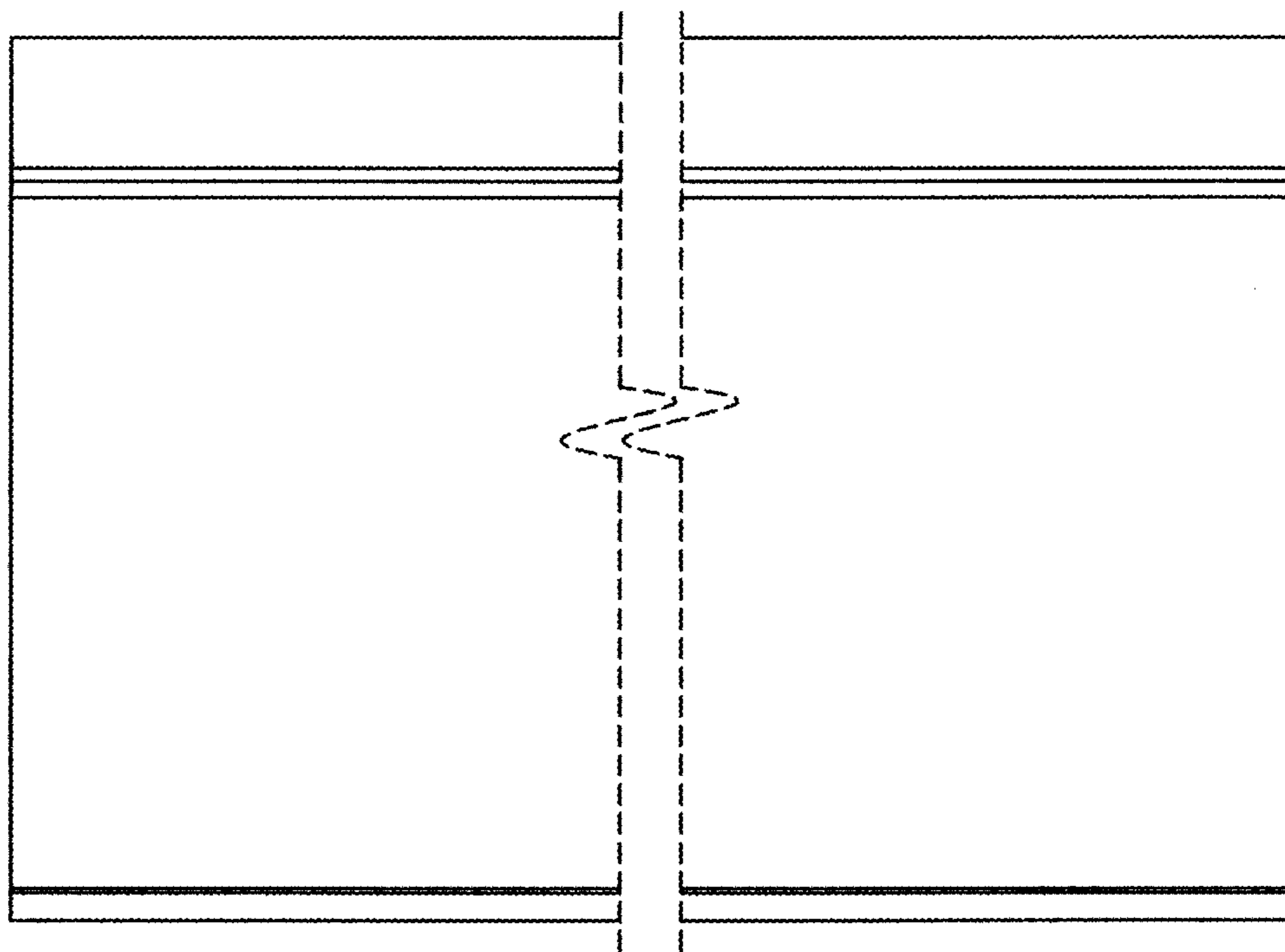


FIG. 4

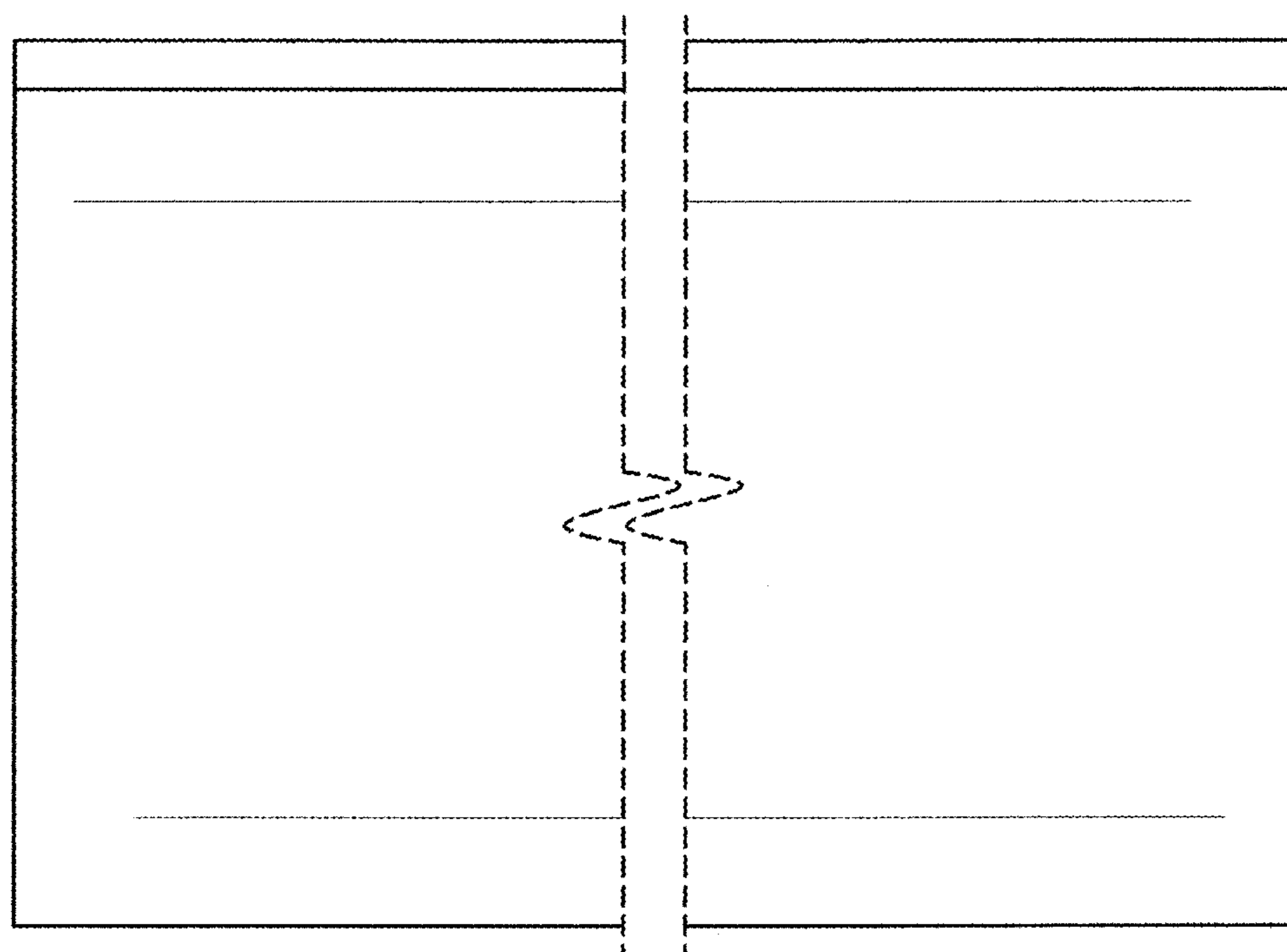


FIG. 5

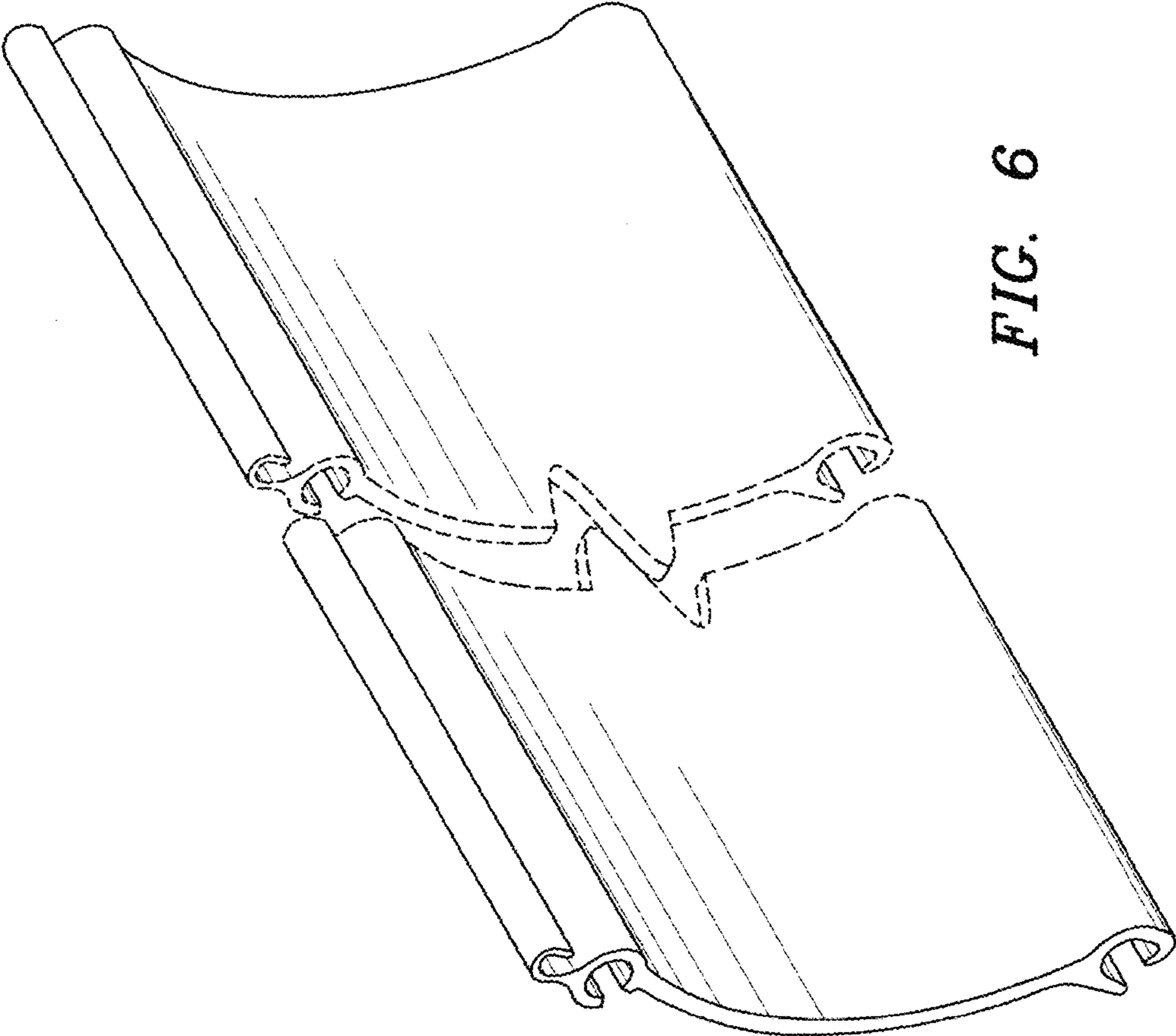


FIG. 6