



US00D774208S

(12) **United States Design Patent**  
**Kasanen et al.**

(10) **Patent No.:** **US D774,208 S**  
(45) **Date of Patent:** **\*\* Dec. 13, 2016**

- (54) **SHELTER**
- (71) Applicants: **Tommi Kasanen**, Lappeenranta (FI);  
**Pekka Vihonen**, Iisalmi (FI)
- (72) Inventors: **Tommi Kasanen**, Lappeenranta (FI);  
**Pekka Vihonen**, Iisalmi (FI)
- (73) Assignee: **KT-SHELTER OY**, Lappeenranta (FI)
- (\*\*) Term: **14 Years**
- (21) Appl. No.: **29/509,048**
- (22) Filed: **Nov. 13, 2014**
- (51) **LOC (10) Cl.** ..... **25-03**
- (52) **U.S. Cl.**  
USPC ..... **D25/13**
- (58) **Field of Classification Search**  
USPC ..... D6/657, 661, 661.3, 672-674, 686;  
D14/900, 902; D25/1, 2, 13, 15-20, 22,  
D25/24, 25, 31-33  
CPC ..... A01G 9/14; A01M 31/025; E01F 5/005;  
E04B 1/342; E04B 1/343; E04B  
1/348; E04H 1/02; E04H 1/06; E04H  
1/12; E04H 1/1222; E04H 1/1244; E04H  
1/1266; E04H 1/1272; E04H 1/14; E04H  
3/16; E04H 4/00; E04H 4/148; E02D  
17/04  
See application file for complete search history.

(56) **References Cited**

**U.S. PATENT DOCUMENTS**

D137,387 S *	2/1944	Pitou	.....	D25/20
2,647,475 A *	8/1953	Dietrich	.....	E04B 1/3205 52/518
D171,889 S *	4/1954	Graham	.....	52/80.1
3,059,657 A *	10/1962	Turner	.....	E04H 15/22 135/118
3,186,524 A *	6/1965	Spaeth, Jr.	.....	E04B 1/34378 52/261
D202,547 S *	10/1965	Kwake	.....	D25/18

3,443,265 A *	5/1969	Hauck	.....	E04H 3/16 4/498
3,464,168 A *	9/1969	Lyons, Jr.	.....	E04B 1/3205 52/223.7
3,466,676 A *	9/1969	Barrera	.....	E04H 4/00 52/169.7
3,496,686 A *	2/1970	Bird	.....	E04H 3/16 135/118
3,633,326 A *	1/1972	McKnight	.....	E04B 1/3205 52/245
3,889,433 A *	6/1975	Eubank, Jr.	.....	E04B 1/3205 52/643
4,227,542 A *	10/1980	Bonfilio	.....	E04H 15/38 135/118
4,833,837 A *	5/1989	Bonneau	.....	E04H 15/20 52/2.19

(Continued)

*Primary Examiner* — Eric Goodman  
*Assistant Examiner* — Clare Ann Gannon  
(74) *Attorney, Agent, or Firm* — Klauber & Jackson LLC

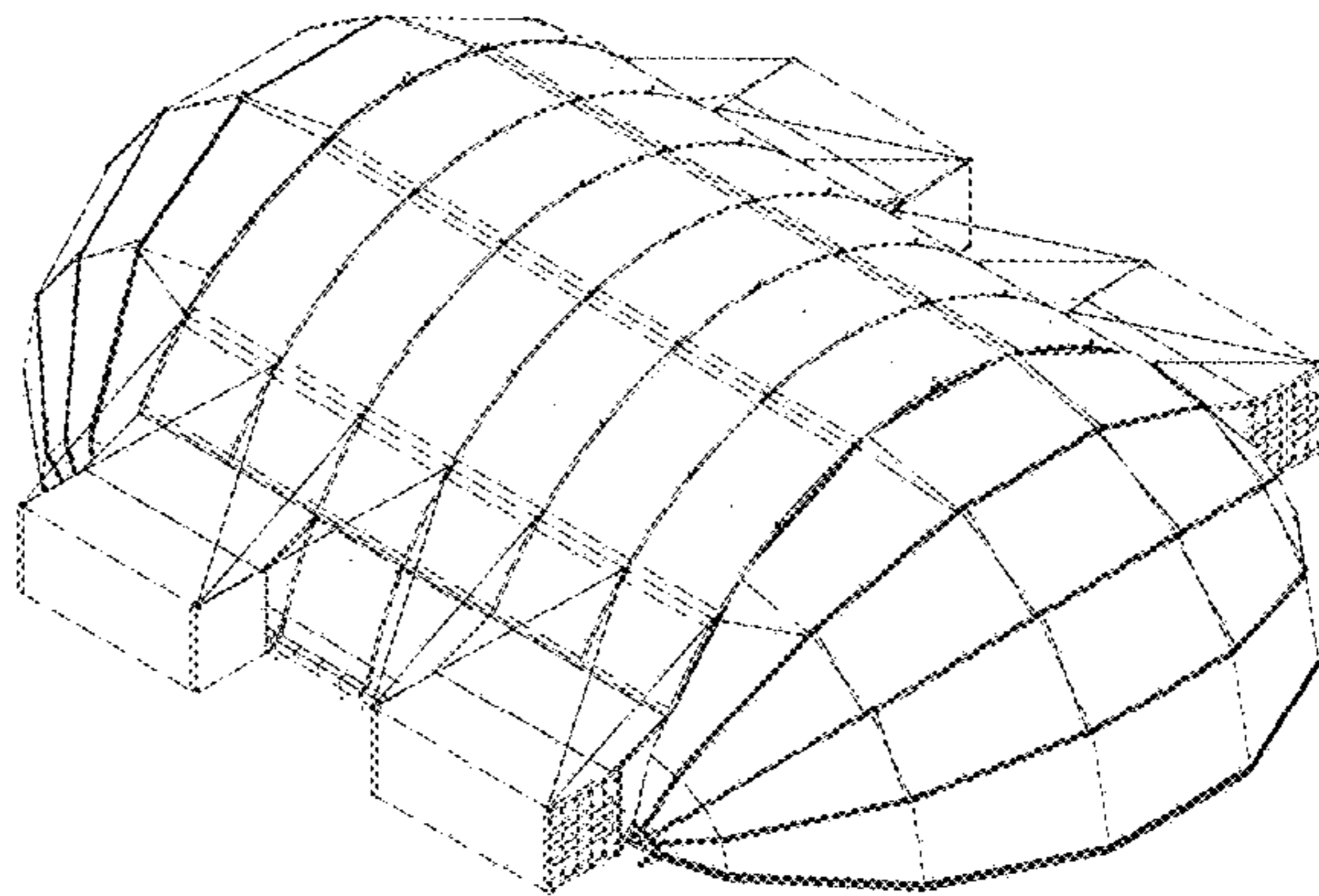
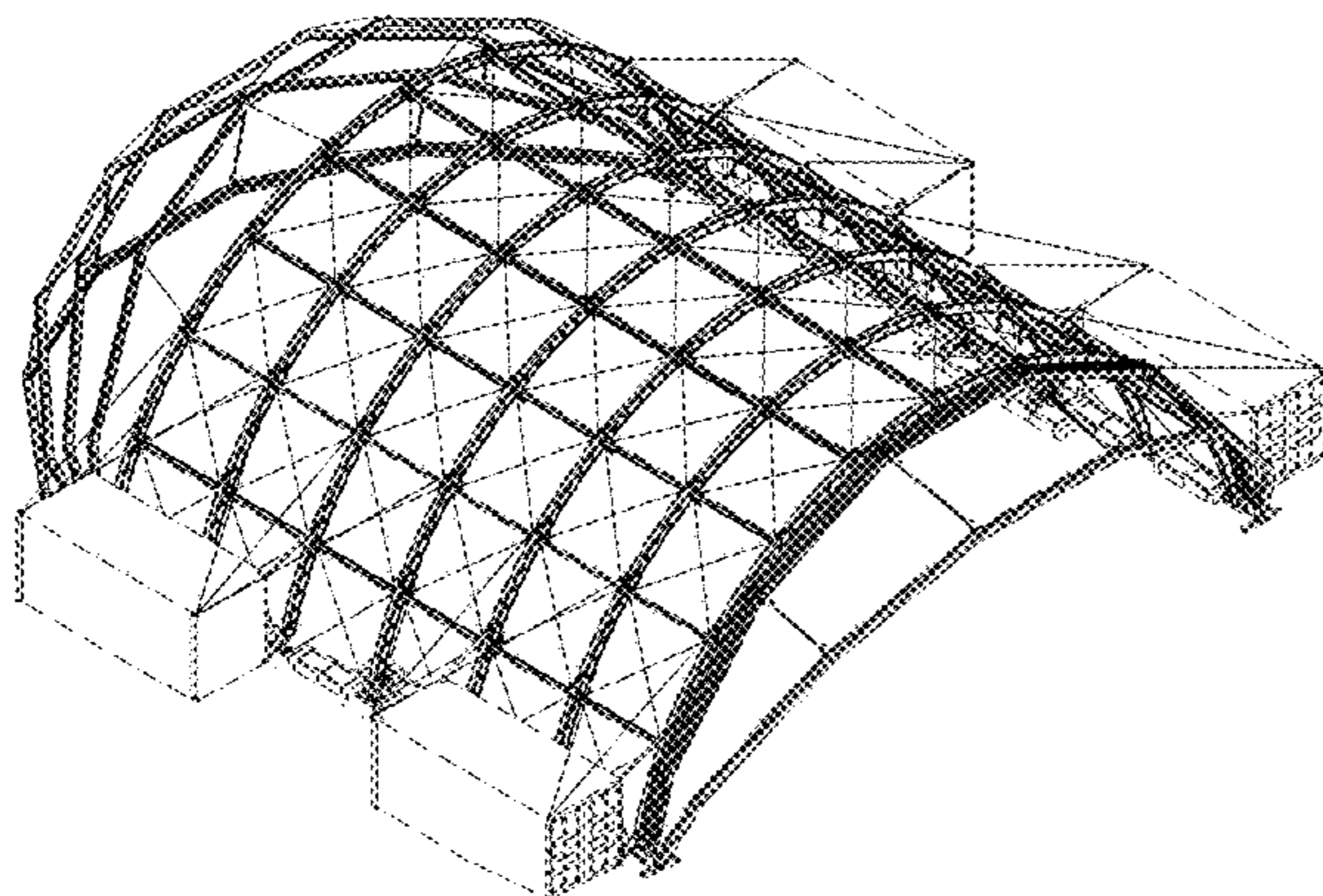
(57) **CLAIM**

The ornamental design for a shelter, as shown and described.

**DESCRIPTION**

FIG. 1 is a perspective view showing the top, front and left side of the shelter with the cover removed;  
FIG. 2 is a perspective view of the shelter in an alternative configuration with the cover removed and the left side open;  
FIG. 3 is a front view of the shelter of FIG. 1;  
FIG. 4 is a top view thereof;  
FIG. 5 is an enlarged side view thereof;  
FIG. 6 is a perspective view showing the top, front and left side of the shelter in an alternate configuration with the cover attached;  
FIG. 7 is a front view of the shelter of FIG. 6;  
FIG. 8 is a top view thereof; and,  
FIG. 9 is an enlarged side view thereof.

**1 Claim, 6 Drawing Sheets**



(56)

**References Cited**

U.S. PATENT DOCUMENTS

4,865,066 A \* 9/1989 Brooks ..... E04H 15/58  
135/121  
D398,062 S \* 9/1998 Lockhart ..... D12/401  
6,430,888 B1 \* 8/2002 Dombchik ..... E04C 3/06  
52/653.1  
6,668,495 B1 \* 12/2003 Prince ..... E04C 3/06  
160/391  
D642,701 S \* 8/2011 Howard ..... D25/15  
D655,019 S \* 2/2012 Colless ..... D25/15

\* cited by examiner



FIG. 1

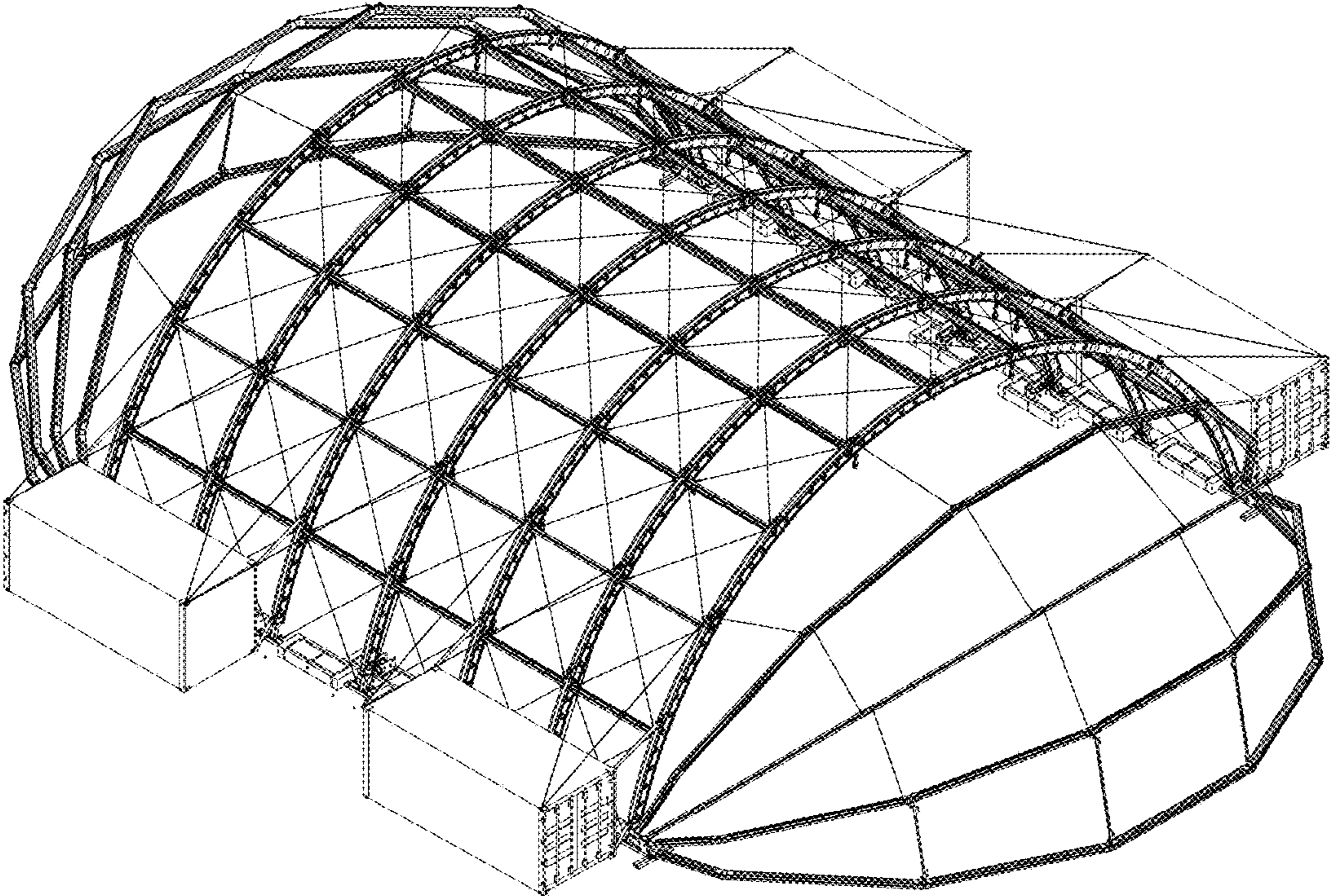


FIG. 2

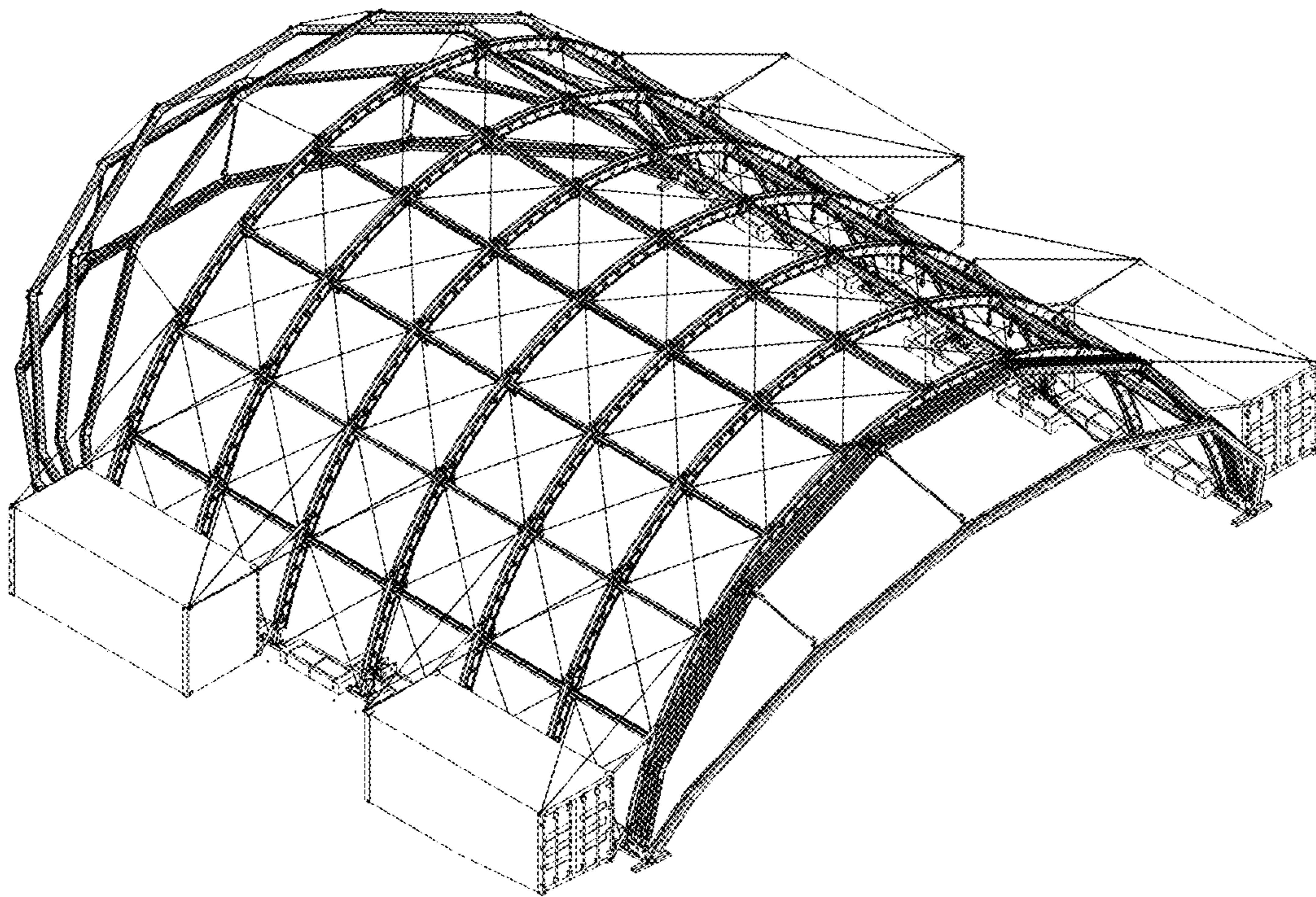




FIG. 3

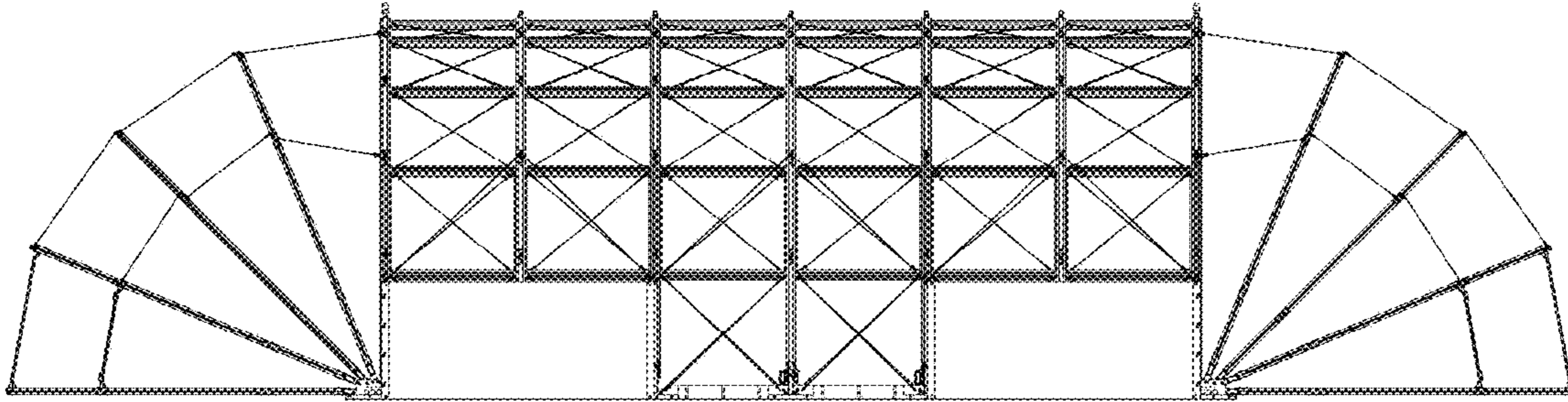


FIG. 4

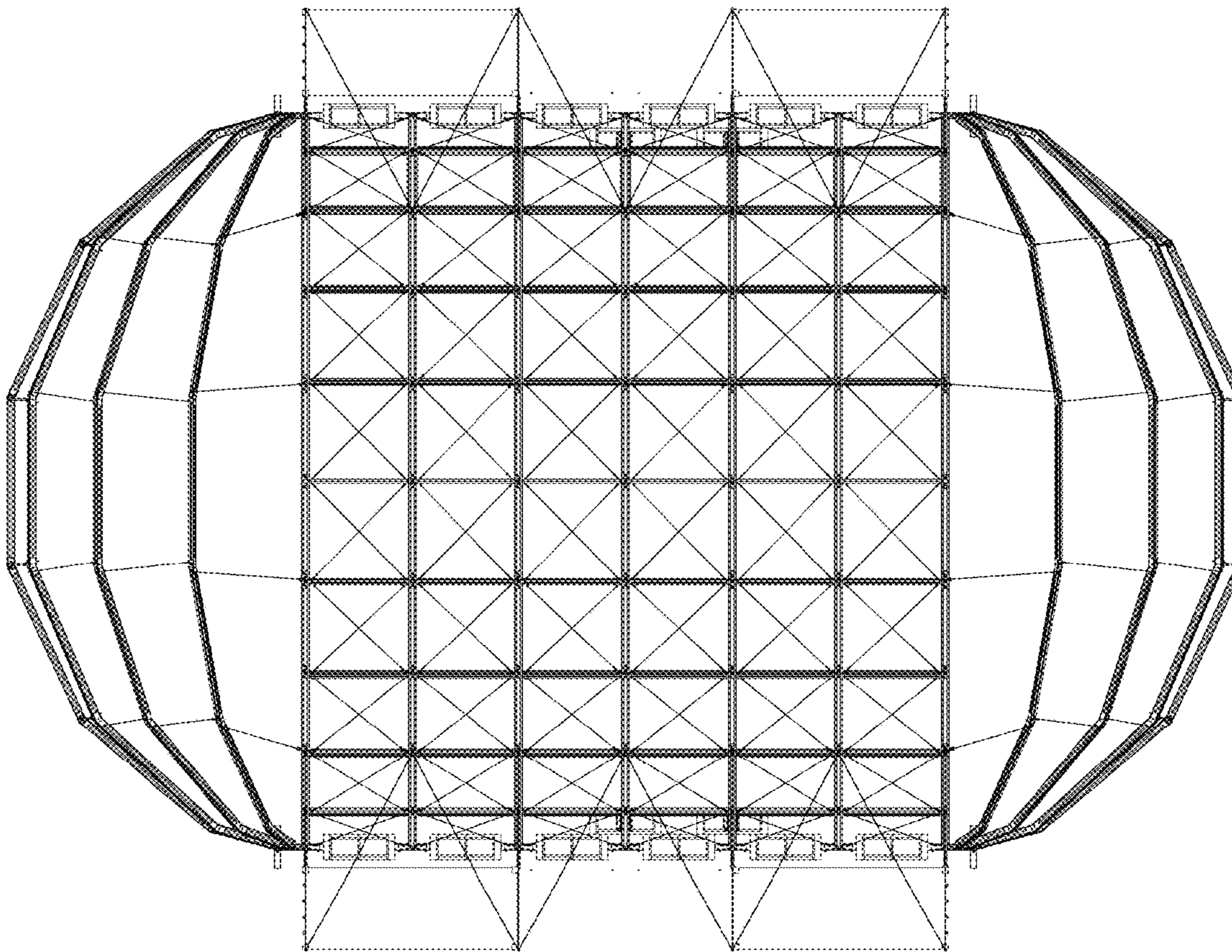


FIG. 5

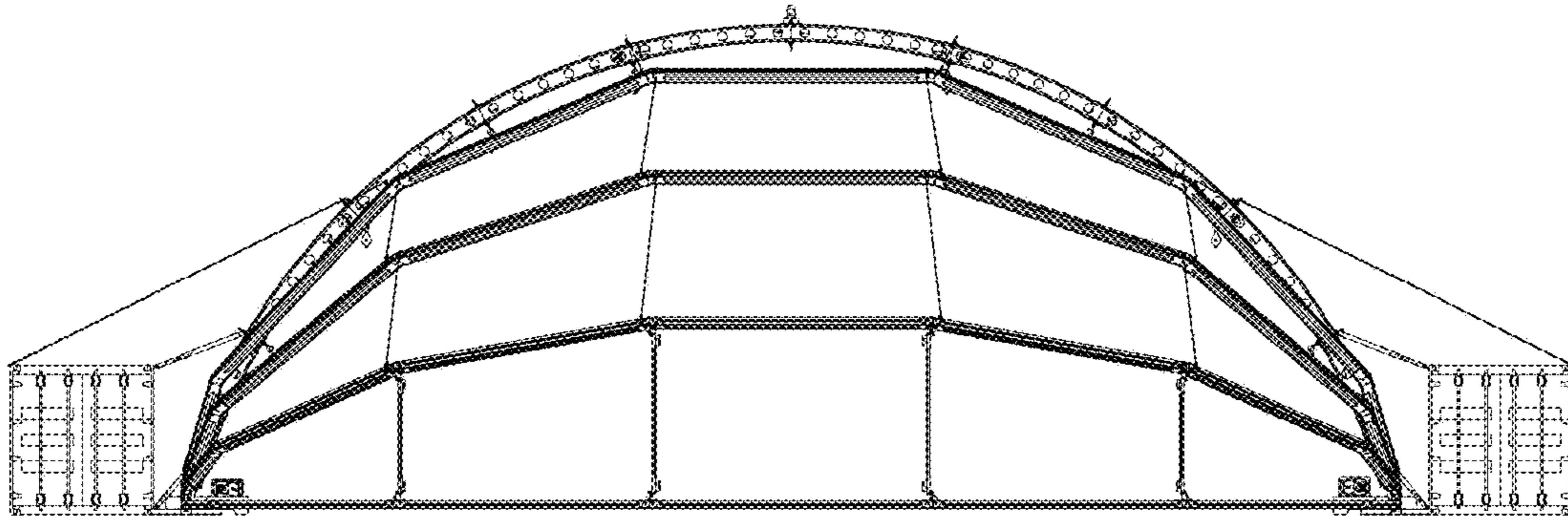


FIG. 6

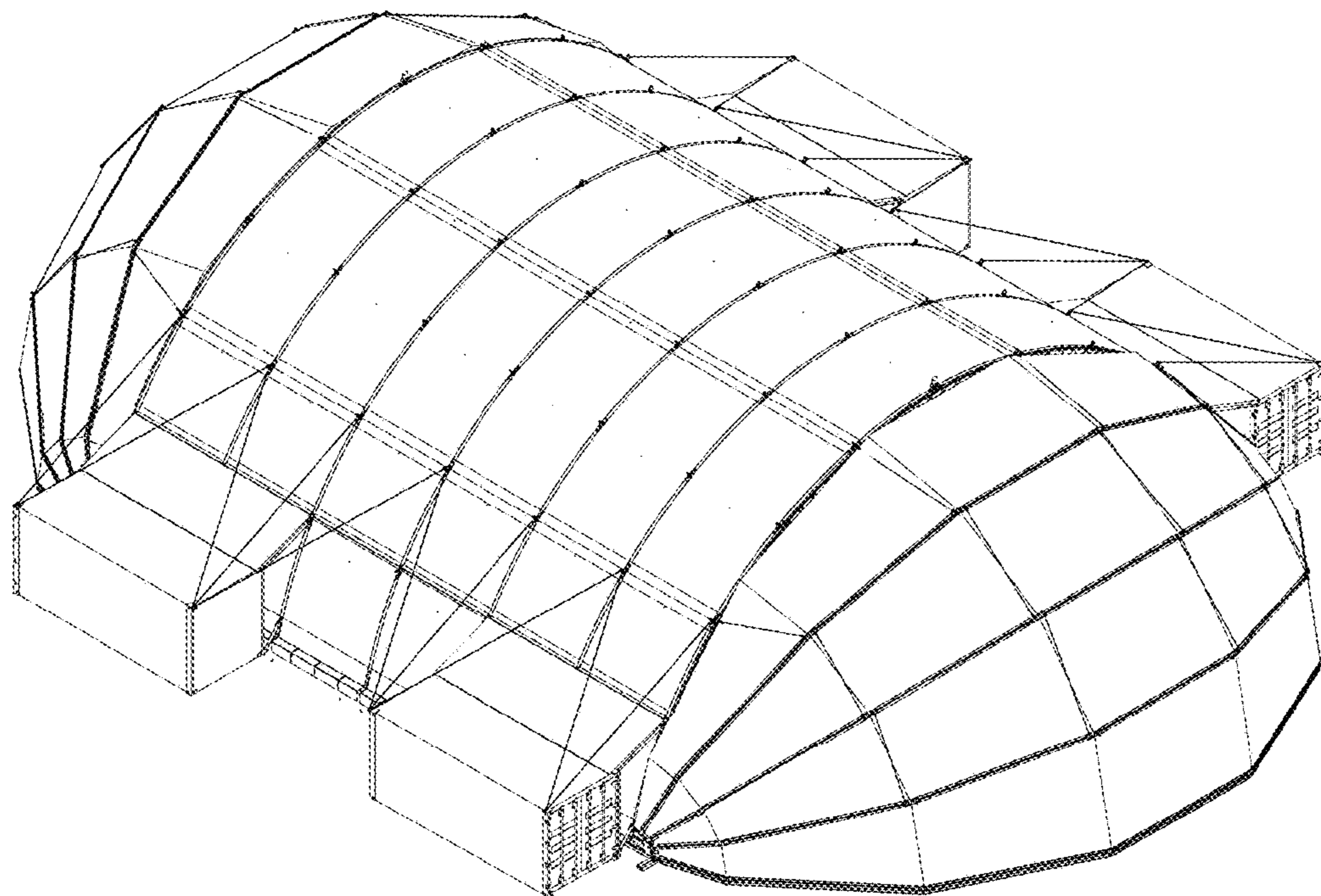




FIG. 7

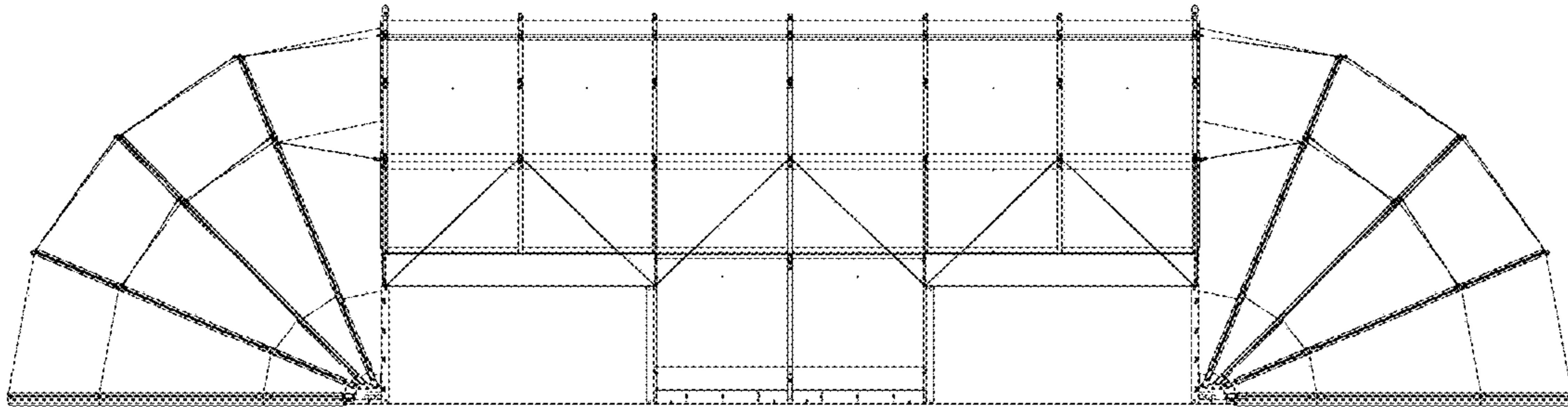


FIG. 8

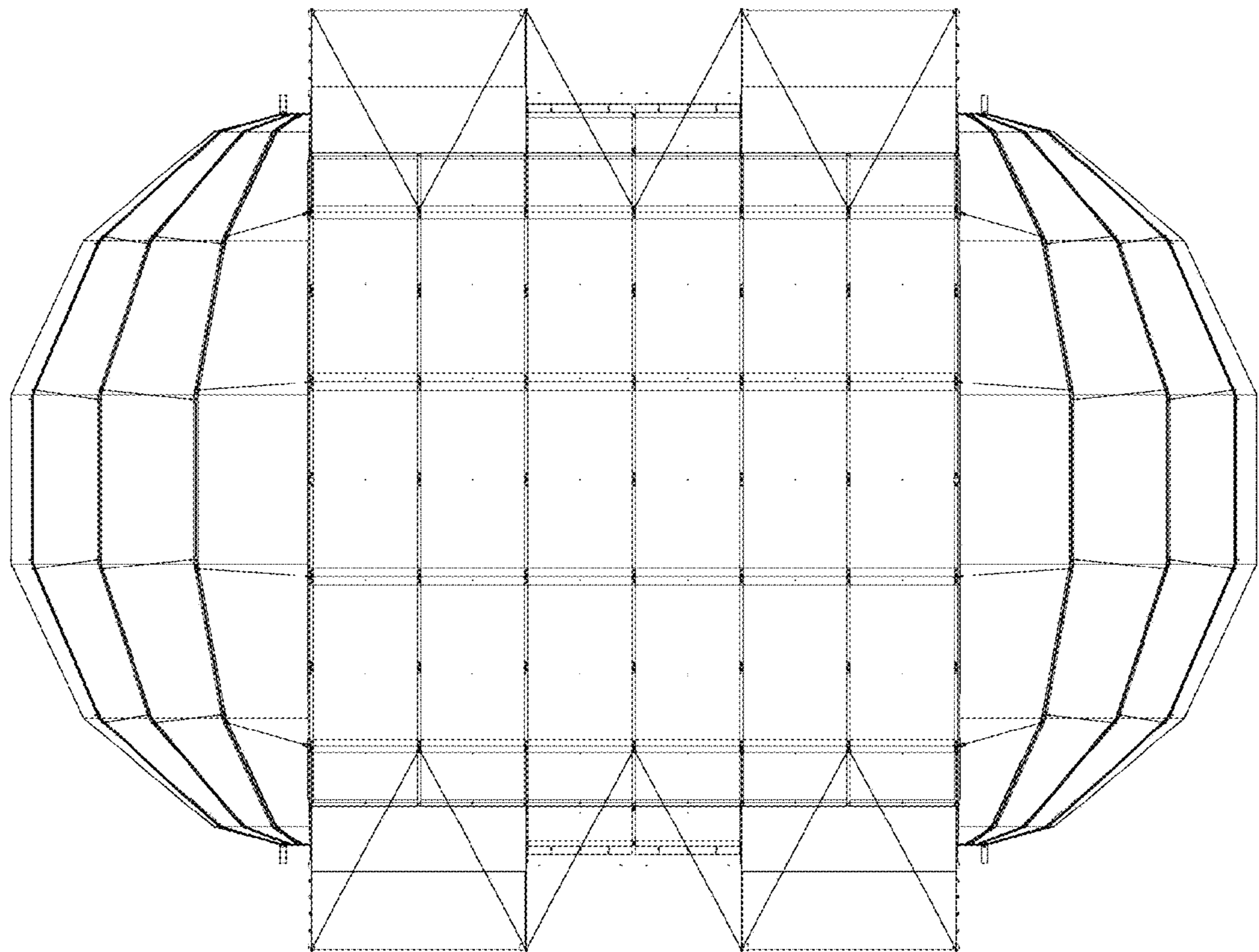


FIG. 9

