



US00D774207S

(12) **United States Design Patent** (10) **Patent No.:** **US D774,207 S**
Oehl et al. (45) **Date of Patent:** **** Dec. 13, 2016**

- (54) **THEATER** 1,957,947 A 5/1934 Dreyfuss
D101,745 S * 10/1936 Ryle D25/1
D107,242 S * 11/1937 Kuebler D25/48.3
2,259,646 A * 10/1941 Liehburg E04H 3/22
52/6
- (71) Applicant: **Dolby Laboratories Licensing Corporation**, San Francisco, CA (US) 3,293,807 A 12/1966 Ramsell
3,321,877 A 5/1967 Alexieff
3,823,517 A 7/1974 Penaloza
D272,947 S * 3/1984 Beasley, III D25/1
4,686,799 A 8/1987 Kwake
D292,613 S 11/1987 Schwartz
4,720,945 A 1/1988 Berranger et al.
4,962,420 A 10/1990 Judenich
5,469,669 A 11/1995 Alter
5,822,928 A * 10/1998 Maxwell E04H 3/22
52/6
- (72) Inventors: **Wilhelm Oehl**, San Francisco, CA (US); **David Herman**, Oakland, CA (US); **Vincent Voron**, Menlo Park, CA (US); **Donald Burlock**, San Bruno, CA (US); **Pascal Sijen**, La Quinta, CA (US); **Christopher Roy Kukshtel**, Sonoma, CA (US); **Mark Little**, Alameda, CA (US); **Douglas Gorny**, San Francisco, CA (US) 5,964,064 A * 10/1999 Goddard A63J 5/021
352/43
- (73) Assignee: **Dolby Laboratories Licensing Corporation**, San Francisco, CA (US) D416,633 S 11/1999 Horton
6,006,476 A 12/1999 Zarnick
(Continued)

(**) Term: **14 Years**

(21) Appl. No.: **29/510,523**

(22) Filed: **Nov. 30, 2014**

(51) **LOC (10) Cl.** **25-03**

(52) **U.S. Cl.**
USPC **D25/1**

(58) **Field of Classification Search**
USPC D25/1, 12, 58, 59
CPC E04B 1/82; E04B 1/99; E04H 1/1222;
E04H 1/1272; E04H 2001/1288; E04H
3/10; E04H 3/12; E04H 3/22; E04H 3/30
See application file for complete search history.

(56) **References Cited**

U.S. PATENT DOCUMENTS

- D51,399 S * 10/1917 Taylor D25/59
- 1,348,024 A * 7/1920 McCarthy E04H 3/04
52/33
- D85,717 S * 12/1931 Smith D25/59

OTHER PUBLICATIONS

Alexander Wong, UA Shenzhen, images 5-10 at <http://www.alexanderwong.com.hk/ua_shenzhen.htm>, available at least as early as Oct. 16, 2013.

(Continued)

Primary Examiner — Celia Murphy
Assistant Examiner — Clare Ann Gannon

(57) **CLAIM**

The ornamental design for a theater, as shown and described.

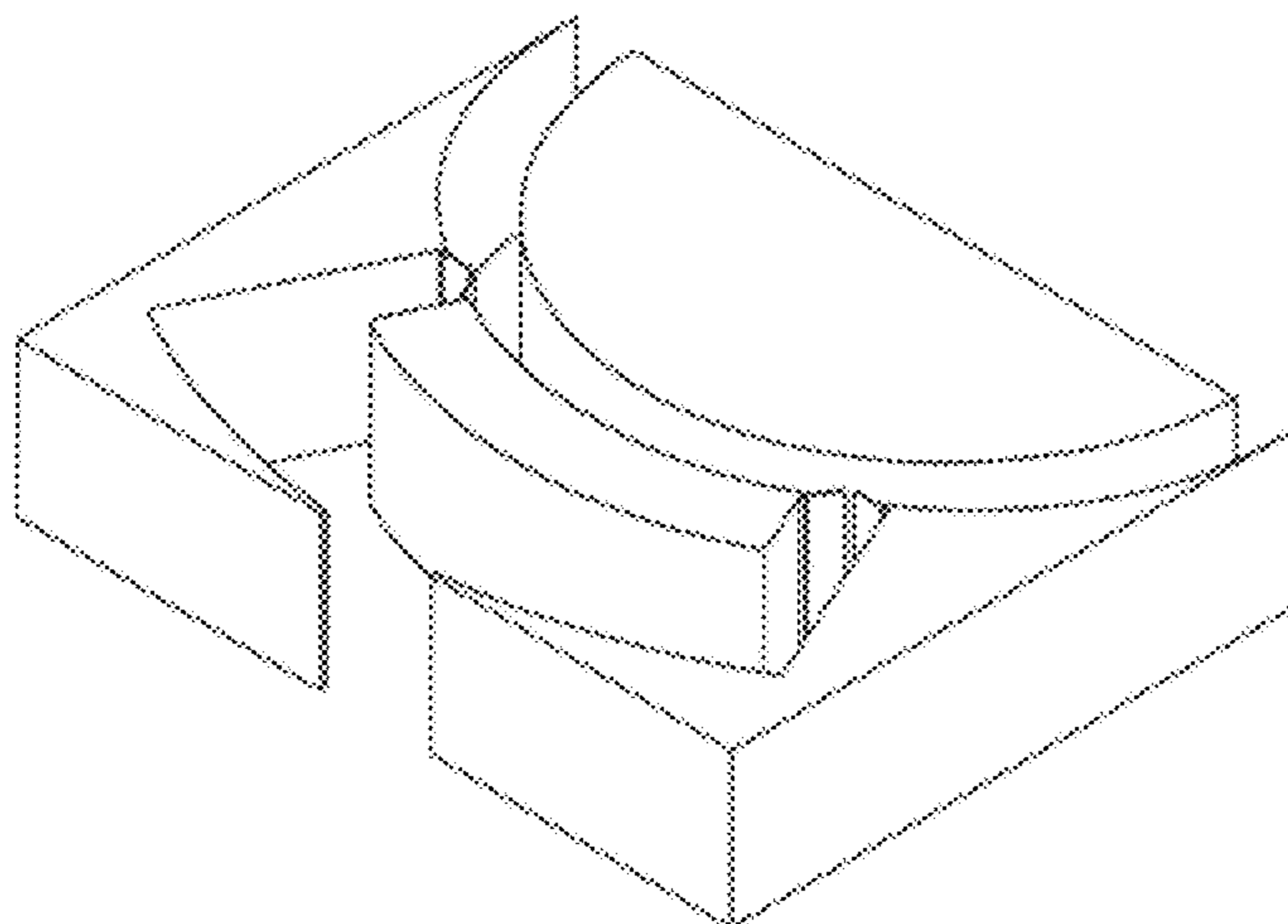
DESCRIPTION

FIG. 1 is a top perspective view of a theater showing our new design;

FIG. 2 is a top view thereof; and,

FIG. 3 is a front view thereof.

1 Claim, 3 Drawing Sheets



(56)

References Cited

U.S. PATENT DOCUMENTS

D473,952	S	4/2003	Smith et al.	
D667,966	S	9/2012	Ismay et al.	
D674,114	S	1/2013	Van De Ven	
2003/0205016	A1	11/2003	Gulbrandsen et al.	
2006/0150530	A1	7/2006	Davey	
2010/0066818	A1*	3/2010	Goto	E04H 3/22 348/52
2016/0153208	A1*	6/2016	Oehl	E04H 3/22 52/6

OTHER PUBLICATIONS

Cinema City Cotroceni Megaplex Opens in Bucharest; Global city Holdings at <<http://globalcityholdings.com/a/761,cinema-city-cotroceni-megaplex-opens-in-bucharest-23-november-2009->>, available at least as early as Nov. 23, 2009.

Panasonic Center Osaka, Case Study—Projector, Panasonic, available at least as early as Nov. 30, 2014.

U.S. Appl. No. 29/470,098 of Wilhelm Oehl et al. titled “Theater” filed Oct. 17, 2013.

U.S. Appl. No. 29/491,770 of Wilhelm Oehl et al. titled “Theater” filed May 23, 2014.

U.S. Appl. No. 29/491,768 of Wilhelm Oehl et al. titled “Theater” filed May 23, 2014.

U.S. Appl. No. 14/556,178 of Wilhelm Oehl et al. titled “Theater Entrance” filed Nov. 30, 2014.

* cited by examiner

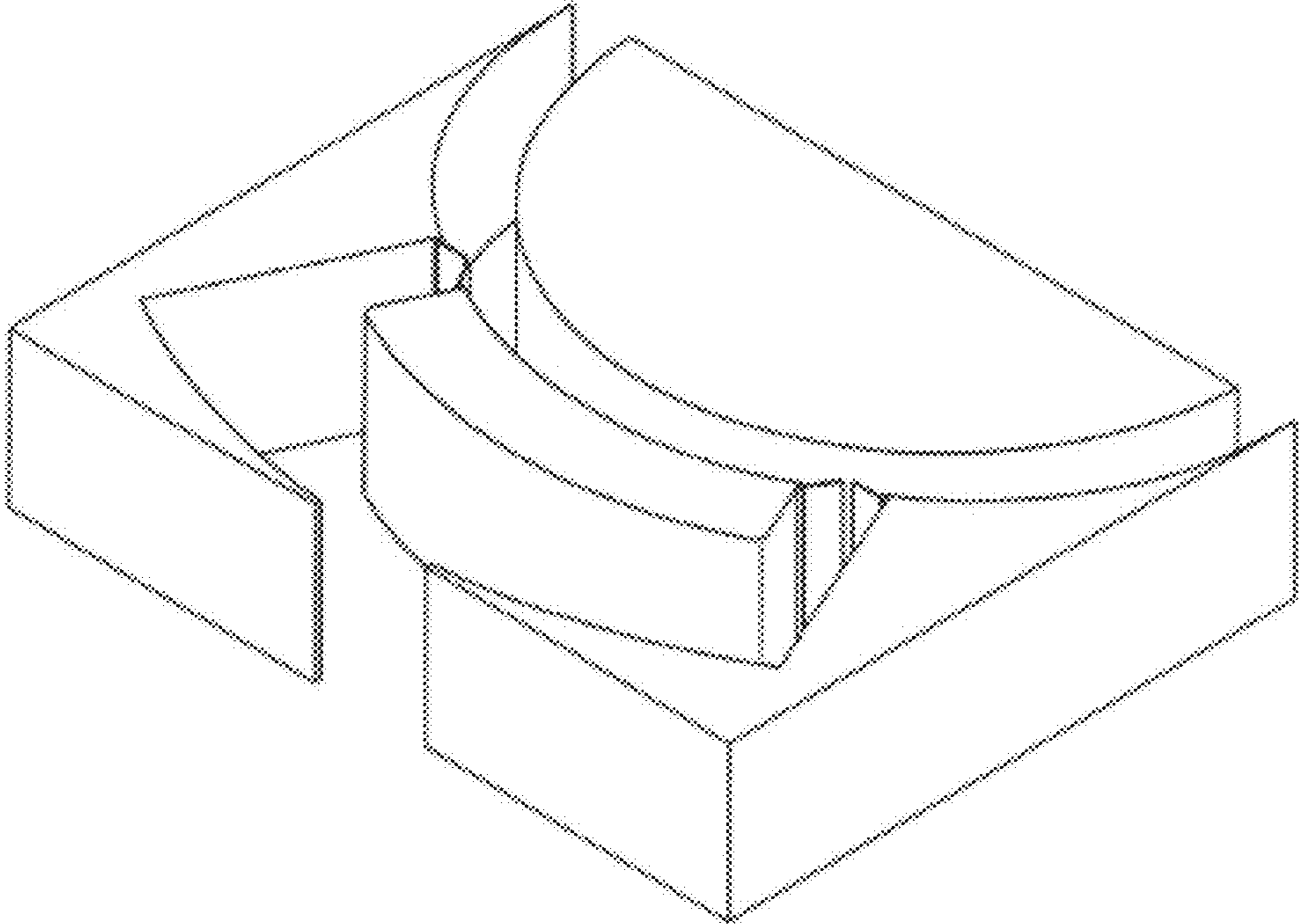


FIG. 1

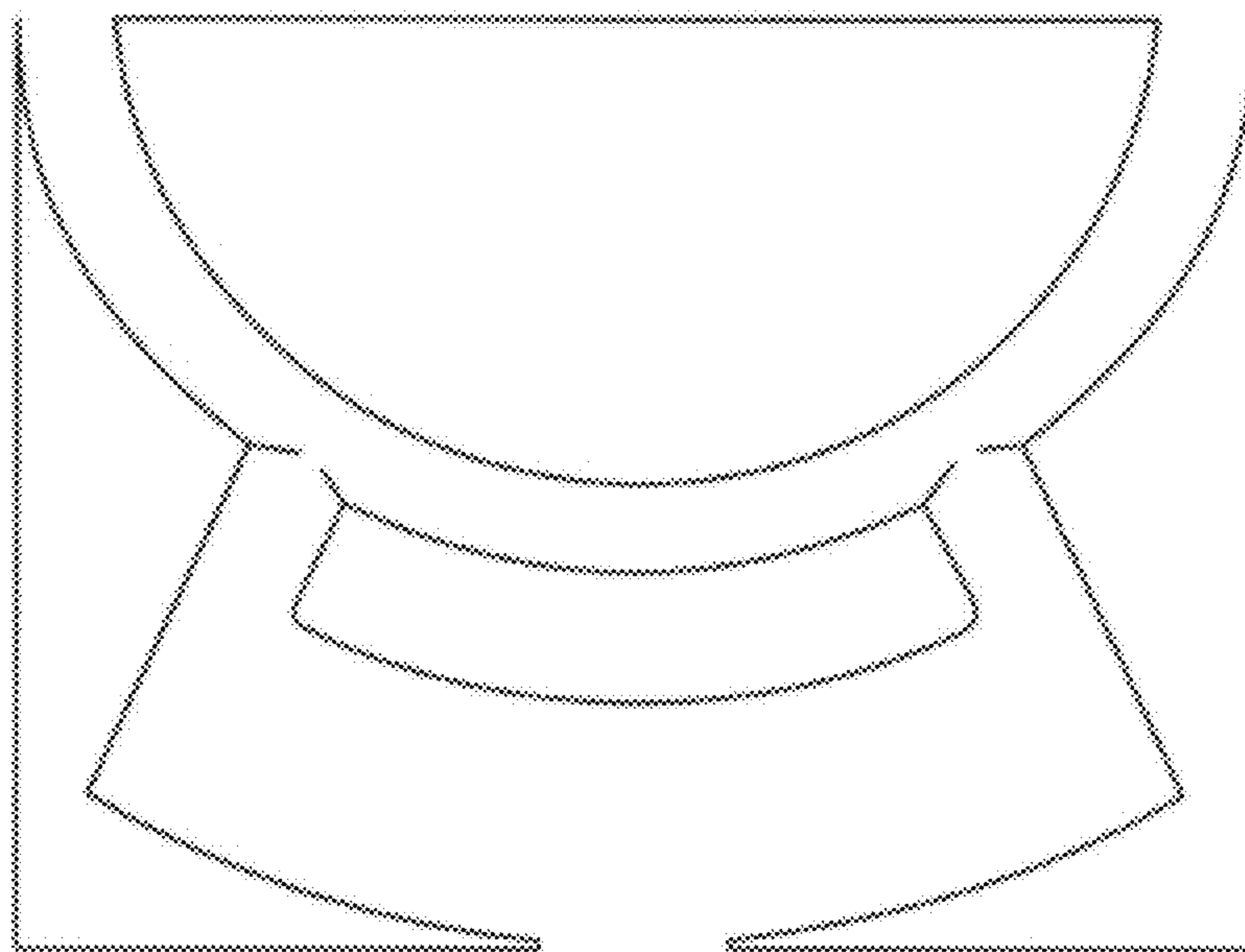


FIG. 2

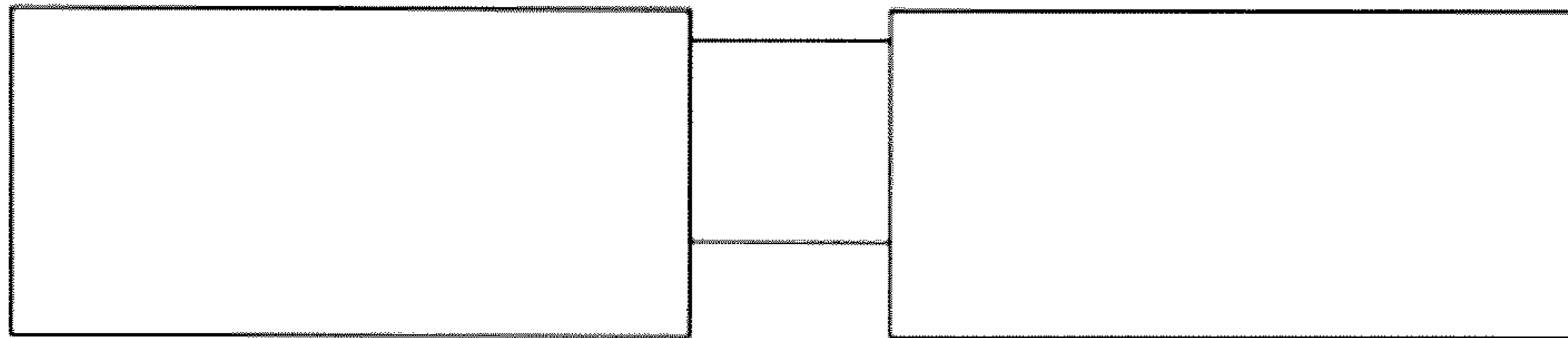


FIG. 3