



US00D774206S

(12) **United States Design Patent**  
**Boo et al.**

(10) **Patent No.:** **US D774,206 S**  
(45) **Date of Patent:** **\*\* Dec. 13, 2016**

(54) **THERMAL CYCLER HOUSING**  
(71) Applicant: **LIFE TECHNOLOGIES CORPORATION**, Carlsbad, CA (US)  
(72) Inventors: **Kuan Moon Boo**, Singapore (SG); **Way Xuang Lee**, Singapore (SG); **Wuh Ken Loh**, Singapore (SG); **Zeqi Tan**, Singapore (SG); **Sandro Klein**, Irvine, CA (US)  
(73) Assignee: **LIFE TECHNOLOGIES CORPORATION**, Carlsbad, CA (US)

D717,968 S \* 11/2014 Klein ..... D24/232  
D718,473 S \* 11/2014 Benarieh ..... D24/232  
D733,917 S \* 7/2015 Klein ..... D24/232  
2005/0189219 A1 \* 9/2005 Amirkhanian ..... G01N 21/645  
204/403.01  
2012/0308990 A1 \* 12/2012 TerMaat ..... B01L 7/52  
435/3  
2015/0231636 A1 \* 8/2015 Lim ..... B01L 7/52  
435/3

\* cited by examiner

*Primary Examiner* — Anhdao Doan

(\*\*) Term: **15 Years**

(21) Appl. No.: **29/552,491**

(22) Filed: **Jan. 22, 2016**

(51) **LOC (10) Cl.** ..... **24-01**

(52) **U.S. Cl.**  
USPC ..... **D24/232**

(58) **Field of Classification Search**  
USPC ..... D24/216–219, 231, 232, 233, 107, 169, D24/186; D10/81  
CPC ..... G01N 2035/00306; G01N 2035/00326; G01N 2035/00336; G01N 21/6428; G01N 21/645; G01N 2201/068; G01N 2035/00366; C12Q 1/686; B01L 7/52  
See application file for complete search history.

(56) **References Cited**

**U.S. PATENT DOCUMENTS**

D653,764 S \* 2/2012 Macemon ..... D24/216  
D665,917 S \* 8/2012 TerMaat ..... D24/216

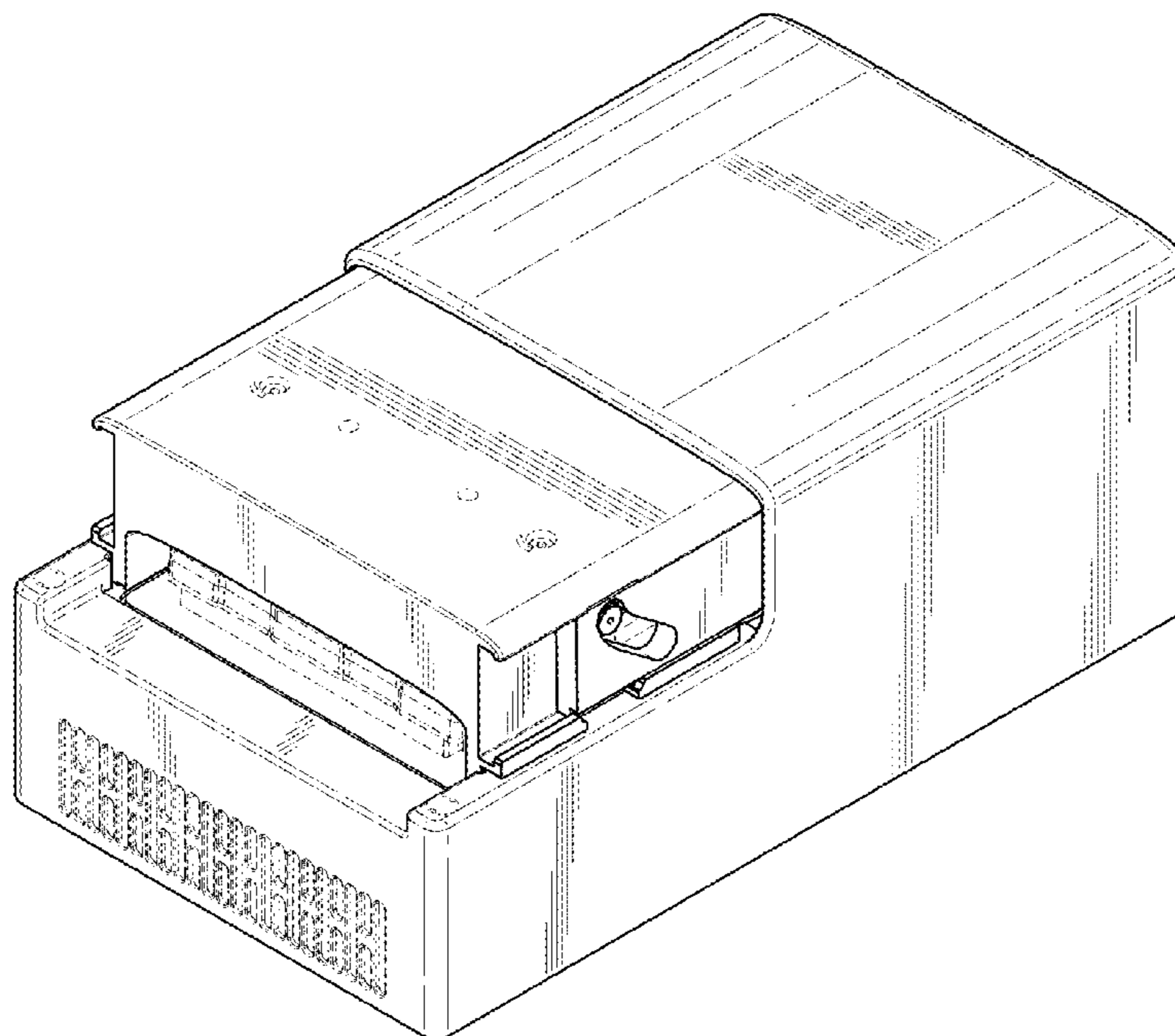
(57) **CLAIM**

The ornamental design for a thermal cycler housing, as shown and described.

**DESCRIPTION**

FIG. 1 is a front perspective view of a thermal cycler housing of our new design;  
FIG. 2 is a front view thereof;  
FIG. 3 is a rear view thereof;  
FIG. 4 is a right side view thereof;  
FIG. 5 is a left side view thereof;  
FIG. 6 is a top view thereof; and,  
FIG. 7 is a bottom view thereof.  
The broken lines shown in the drawings illustrate portions of the thermal cycler housing that form no part of the claimed design.

**1 Claim, 7 Drawing Sheets**



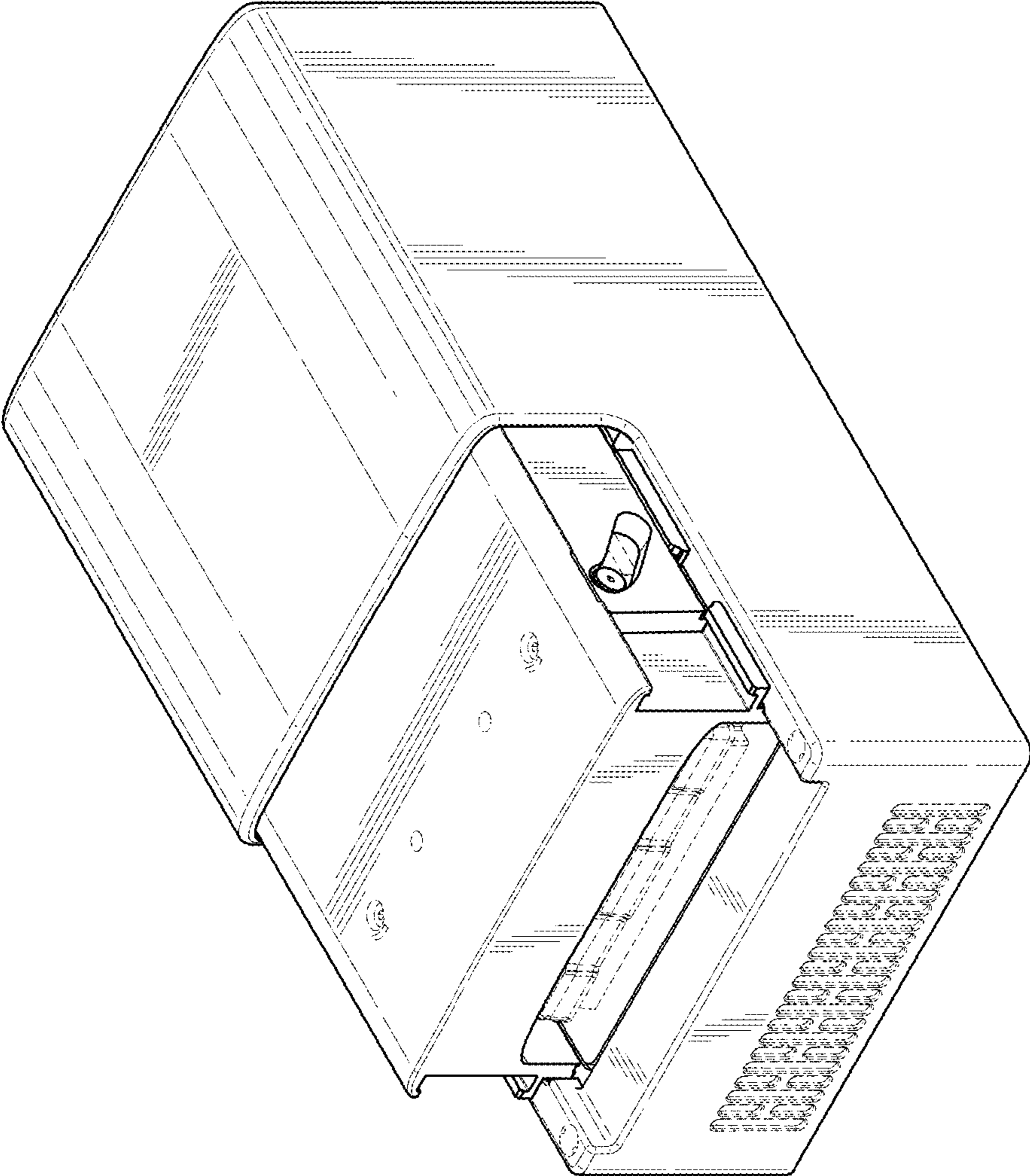


FIG. 1

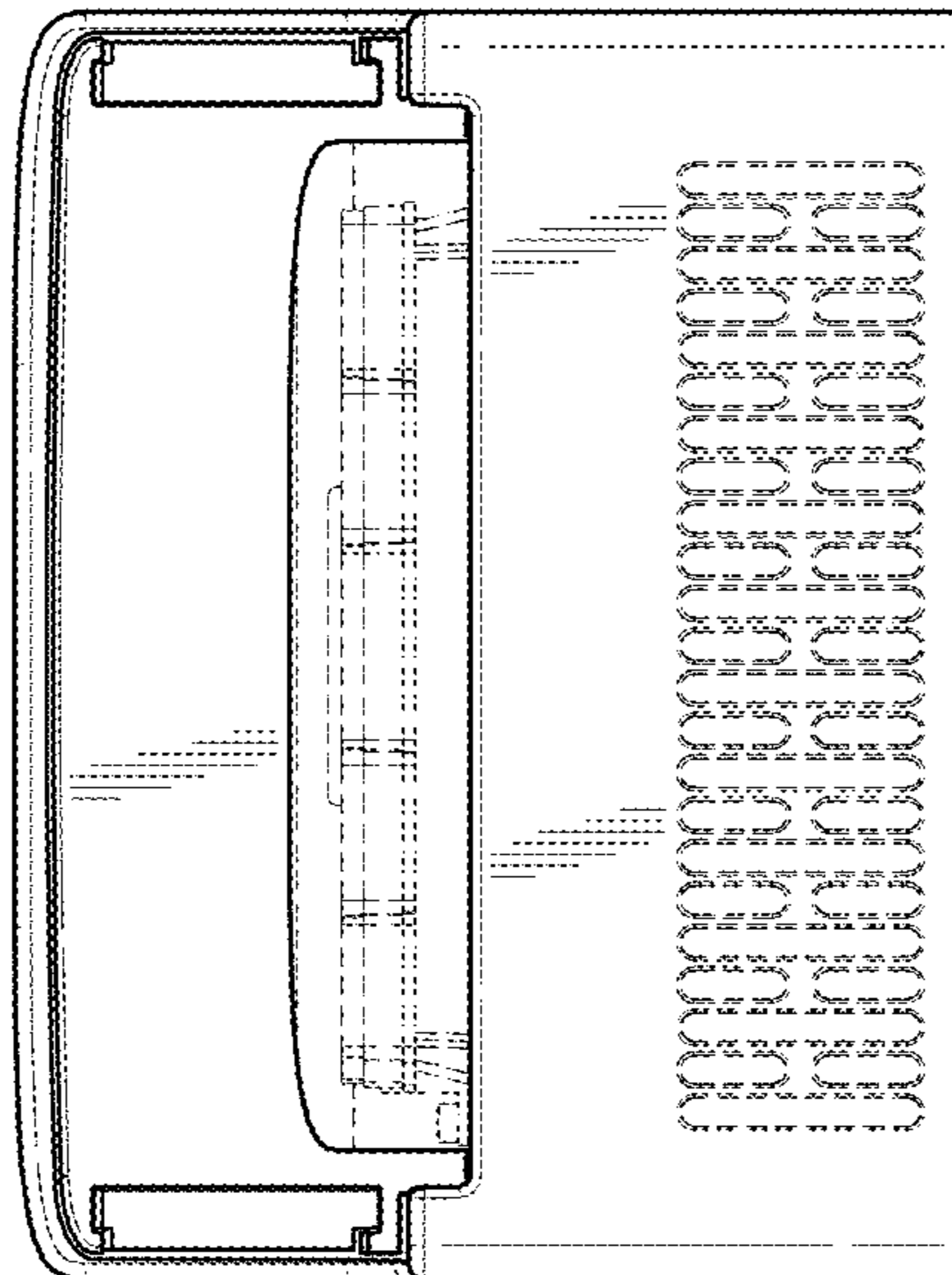


FIG. 2

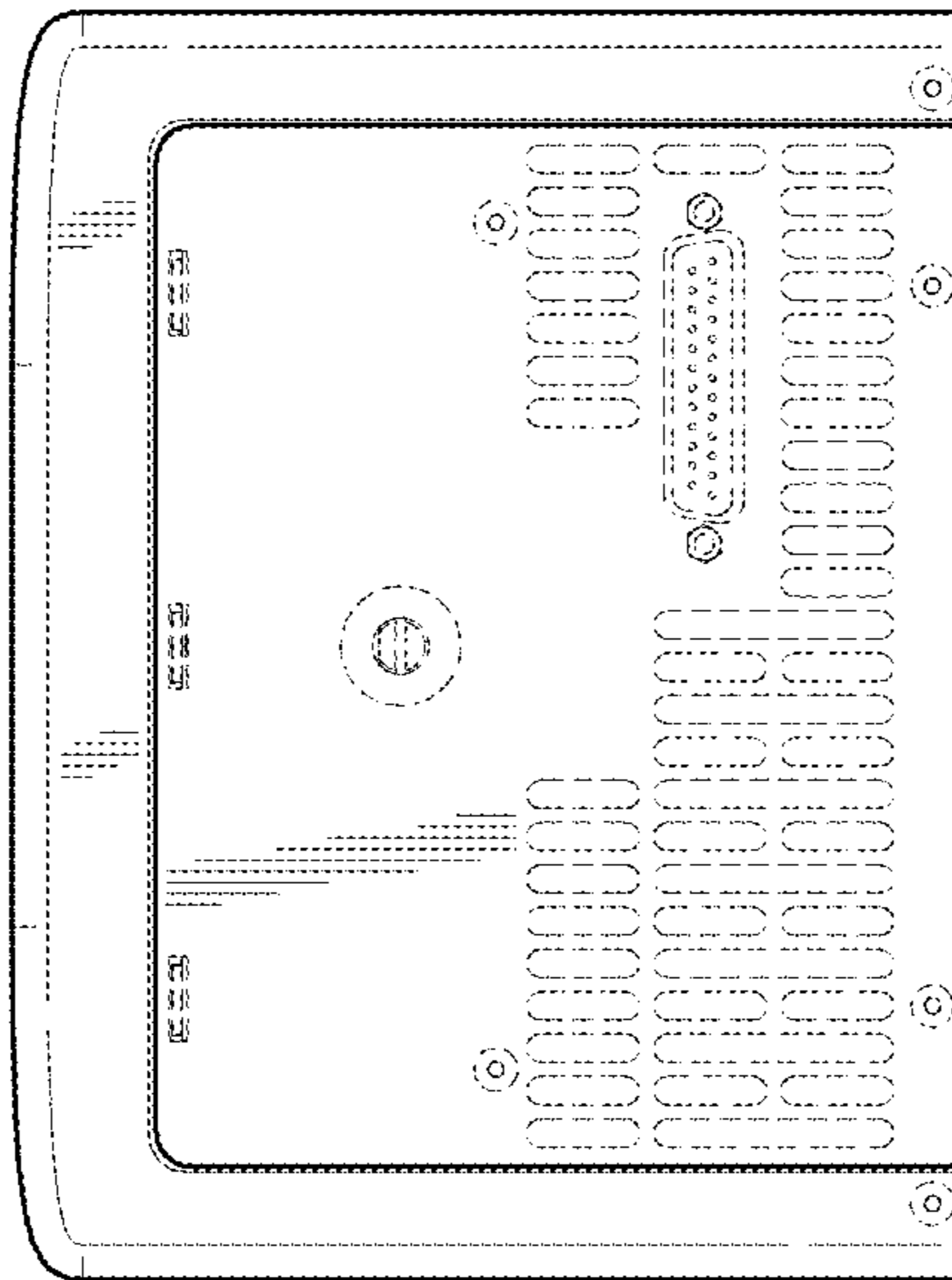


FIG. 3

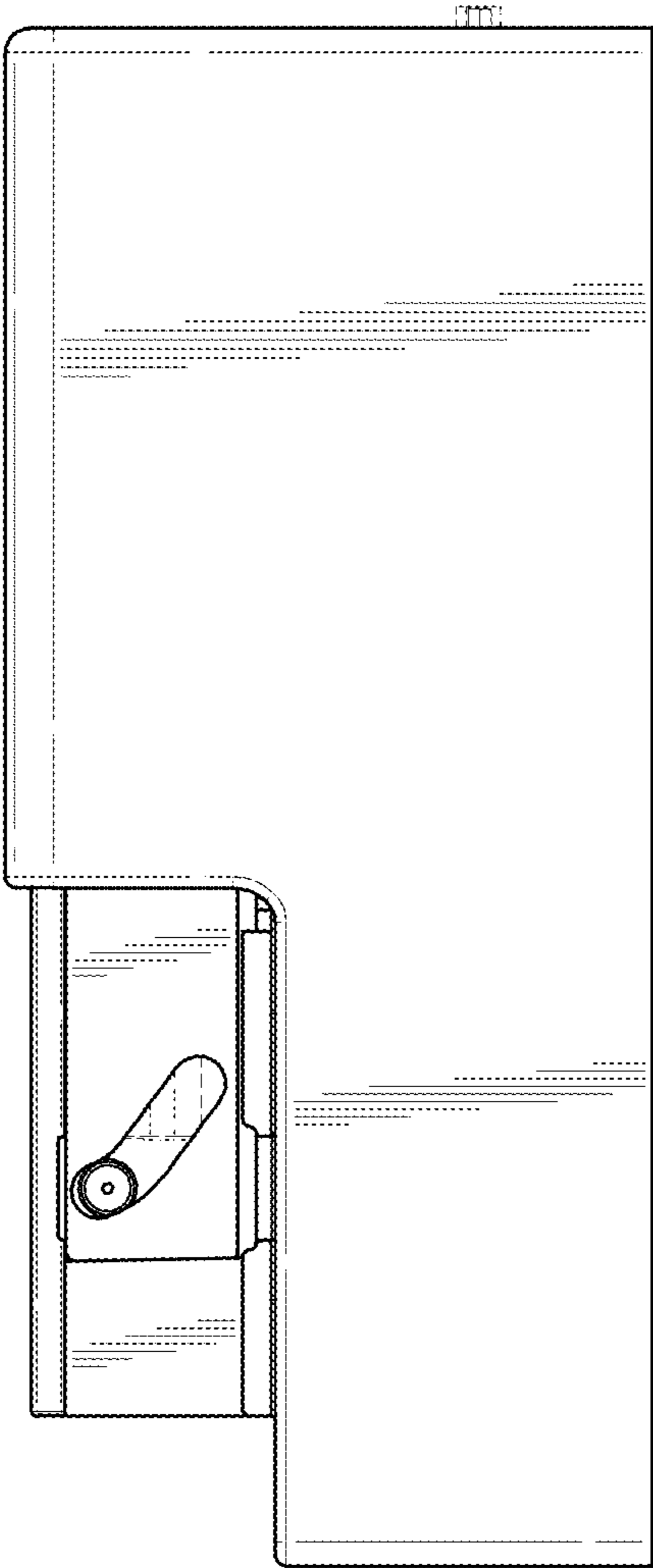


FIG. 4

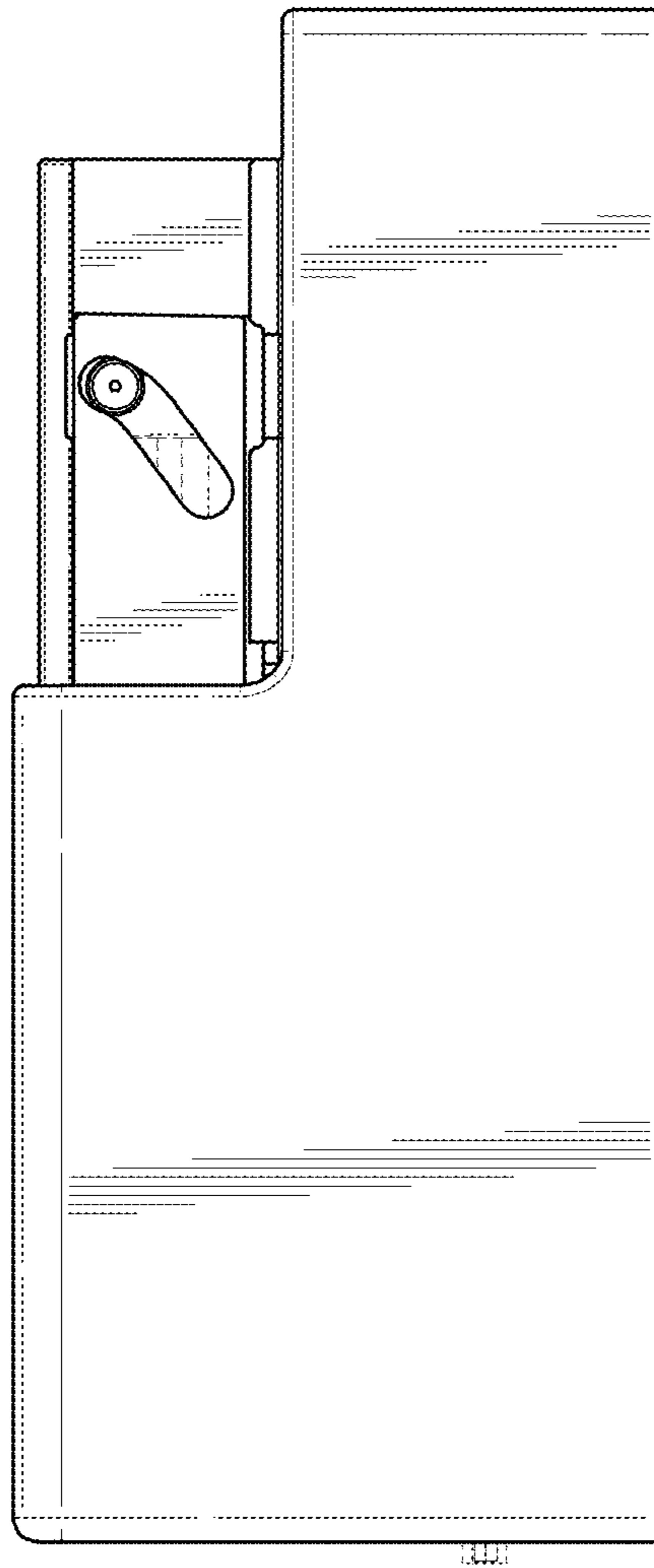


FIG. 5

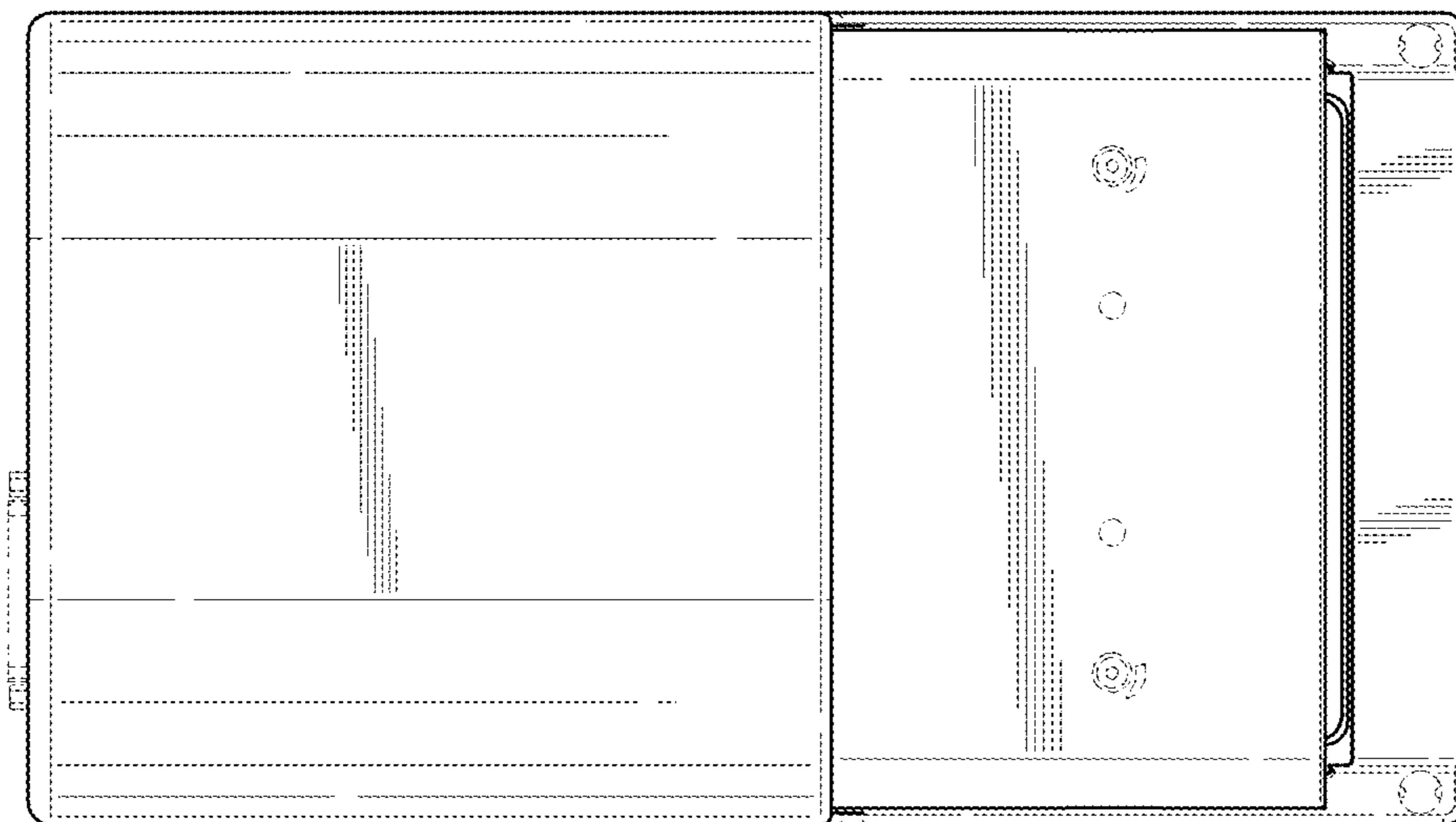


FIG. 6

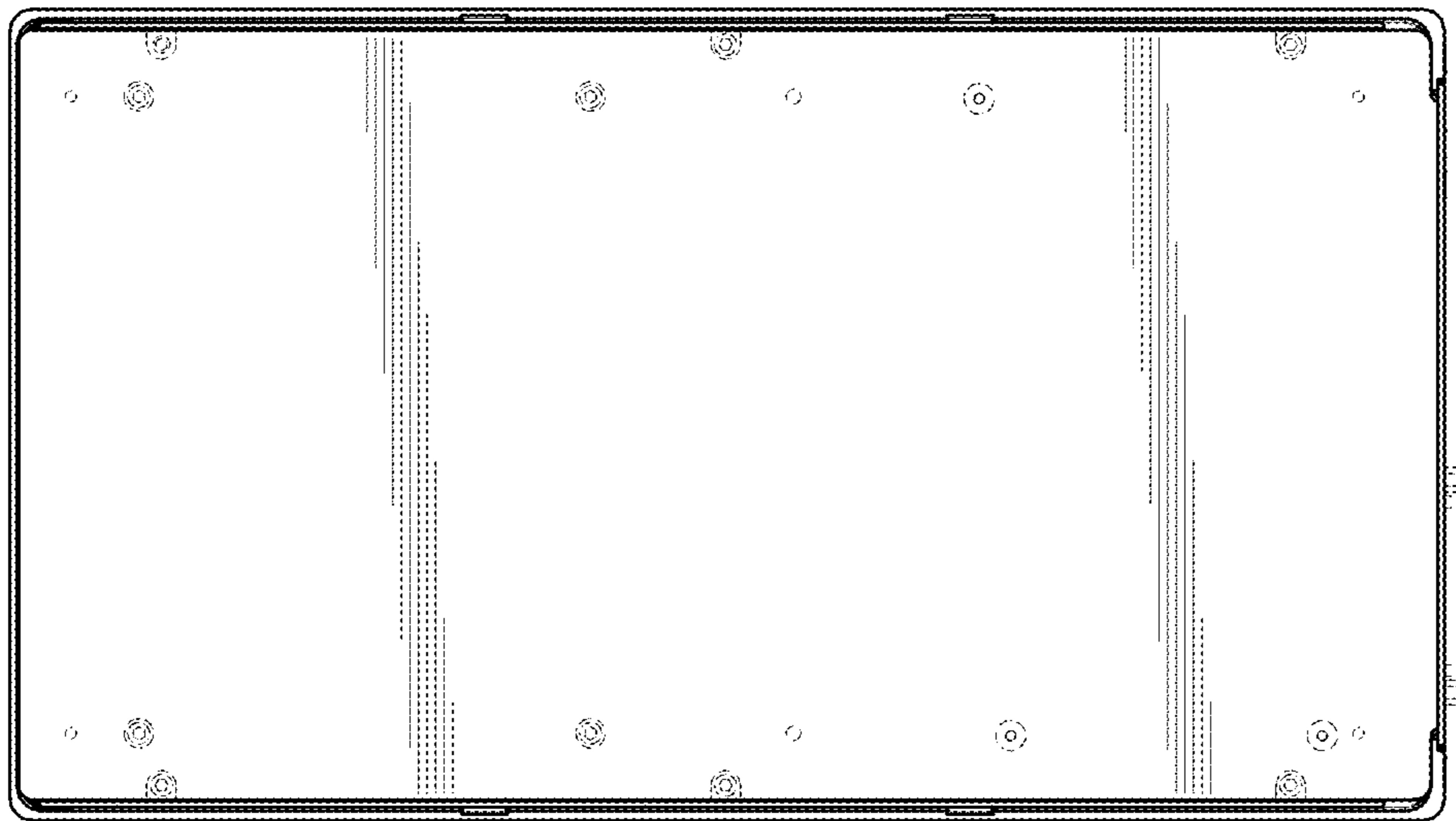


FIG. 7