



US00D774205S

(12) **United States Design Patent**  
**Grace et al.**

(10) **Patent No.:** **US D774,205 S**

(45) **Date of Patent:** **\*\* Dec. 13, 2016**

(54) **DIAGNOSTIC DEVICE**

(71) Applicant: **Beckman Coulter, Inc.**, Brea, CA (US)

(72) Inventors: **Eric M. Grace**, Cooper City, FL (US);  
**Thys Müller**, Weston, FL (US)

(73) Assignee: **Beckman Coulter, Inc.**, Brea, CA (US)

(\*\*) Term: **15 Years**

(21) Appl. No.: **29/505,633**

(22) Filed: **Dec. 24, 2015**

(51) **LOC (10) Cl.** ..... **24-01**

(52) **U.S. Cl.**  
USPC ..... **D24/216; D24/169**

(58) **Field of Classification Search**

USPC ..... D24/216-219, 231, 232, 233, 107, 169,  
D24/186; D10/81  
CPC ..... G01N 2035/00306; G01N 2035/00326;  
G01N 2035/00336; G01N 33/53; G01N  
33/5302; G01N 33/569; C12Q  
1/686; B01L 7/52

See application file for complete search history.

(56) **References Cited**

**U.S. PATENT DOCUMENTS**

D482,796 S \* 11/2003 Oyama ..... D24/232  
D549,827 S \* 8/2007 Maeno ..... D24/169  
D621,523 S \* 8/2010 Onuma ..... D24/234  
D682,441 S \* 5/2013 Kim ..... D24/216

D691,732 S \* 10/2013 Shibata ..... D24/216  
D704,348 S \* 5/2014 Shibata ..... D24/216  
2010/0254854 A1\* 10/2010 Rich ..... G01N 35/00029  
422/64  
2010/0330609 A1\* 12/2010 Nagai ..... G01N 35/0092  
435/29

\* cited by examiner

*Primary Examiner* — Anhdao Doan

(74) *Attorney, Agent, or Firm* — Kilpatrick Townsend &  
Stockton LLP

(57) **CLAIM**

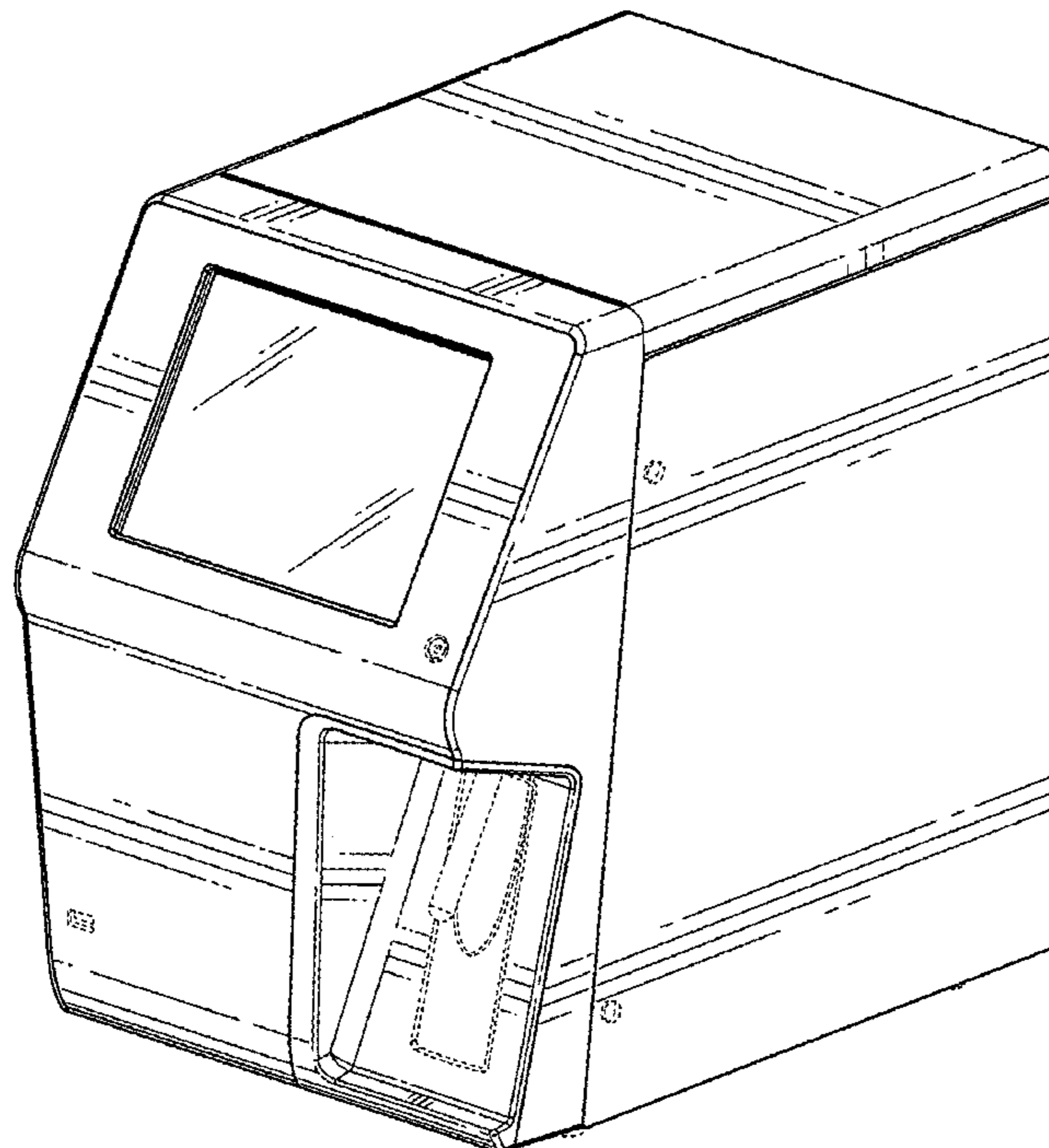
The ornamental design for a diagnostic device, as shown and described.

**DESCRIPTION**

FIG. 1 is a perspective view of a diagnostic device, showing our new design;  
FIG. 2 is a front view of thereof;  
FIG. 3 is a back view of thereof;  
FIG. 4 is a right side view of thereof;  
FIG. 5 is a left side view of thereof;  
FIG. 6 is a top view of thereof; and,  
FIG. 7 is a bottom view thereof.

The broken lines immediately adjacent the shaded areas represent the bounds of the claim, while all other broken lines are directed to environment; the broken lines form no part of the claimed design.

**1 Claim, 7 Drawing Sheets**



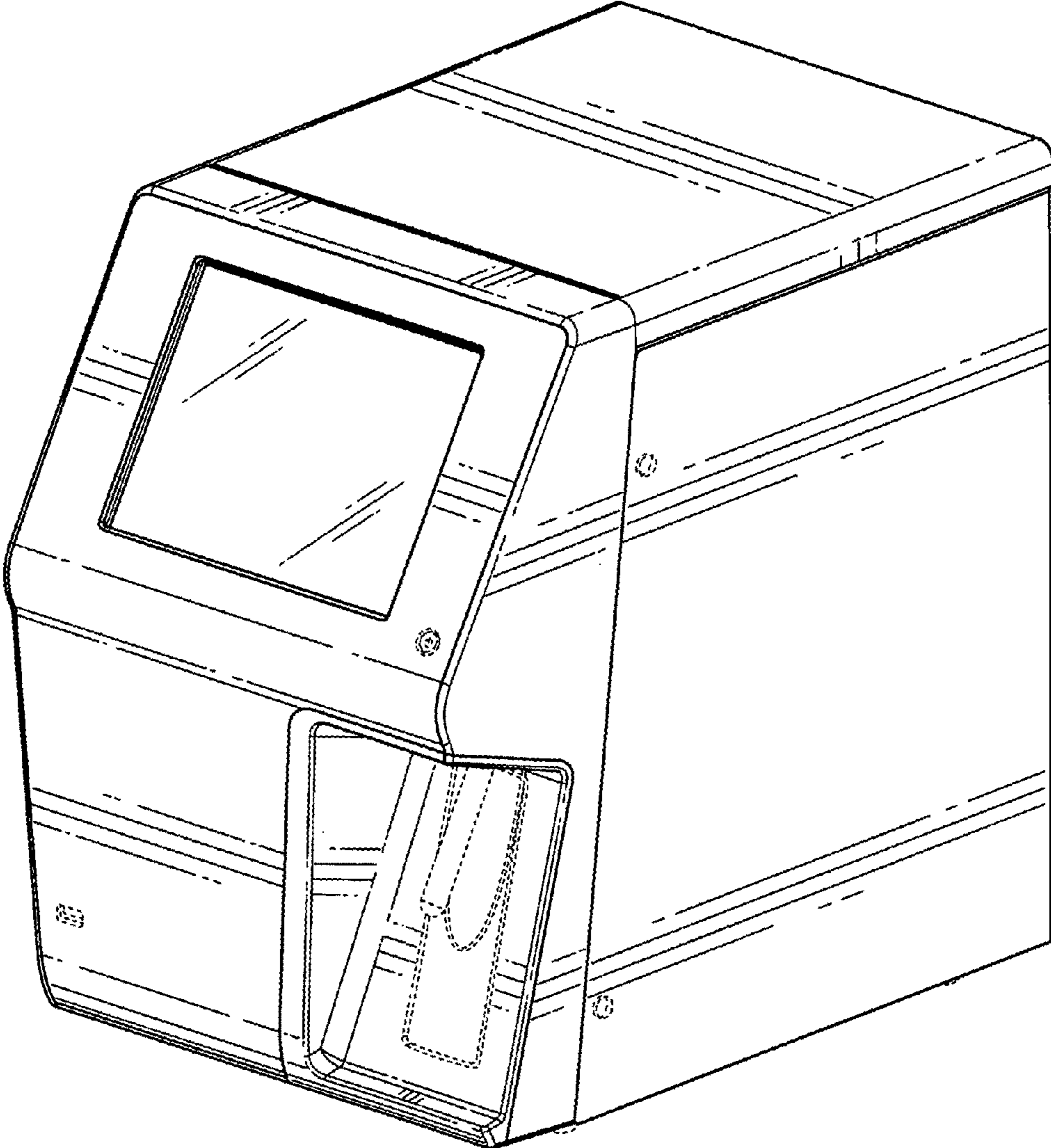


FIG. 1

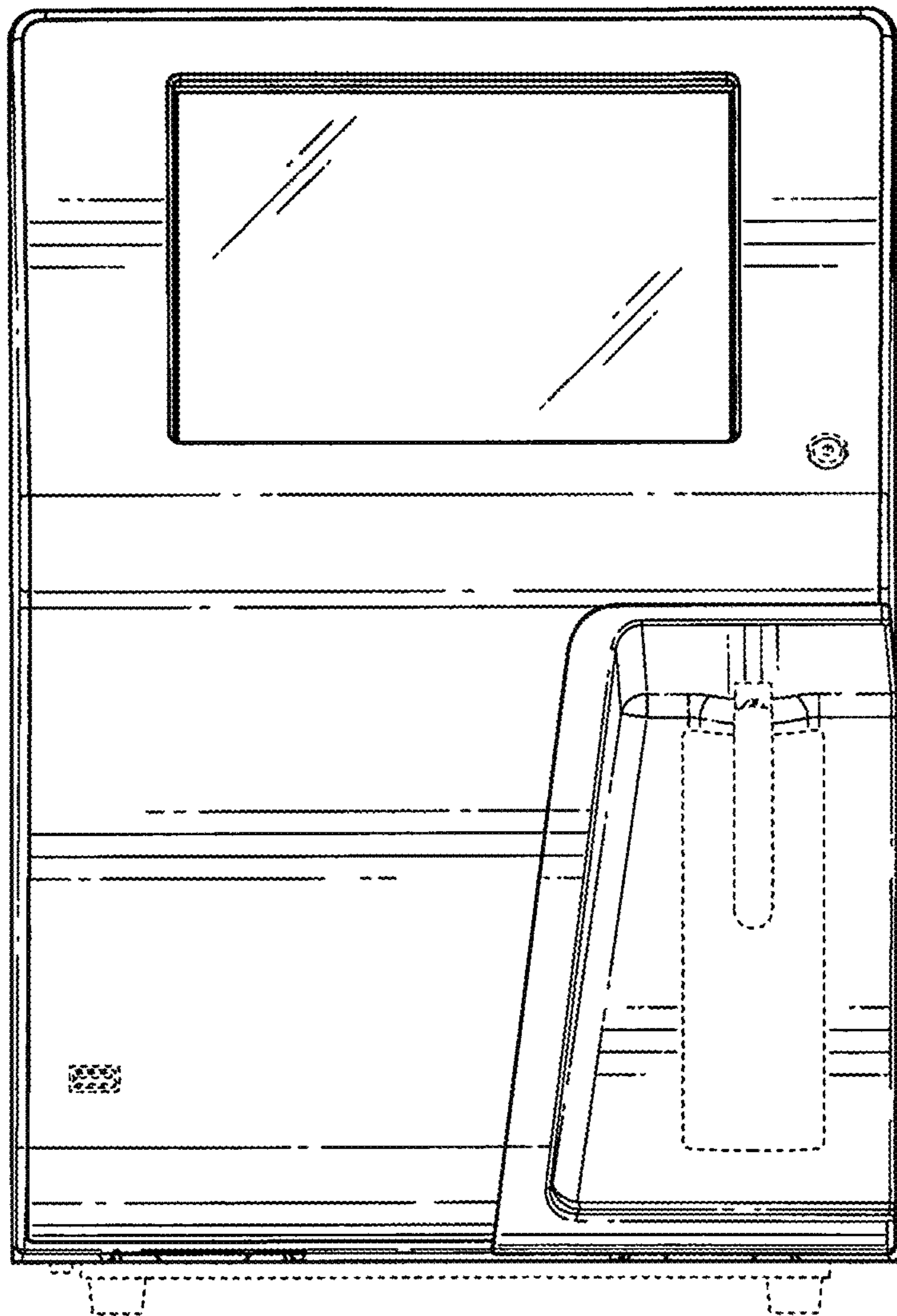


FIG. 2

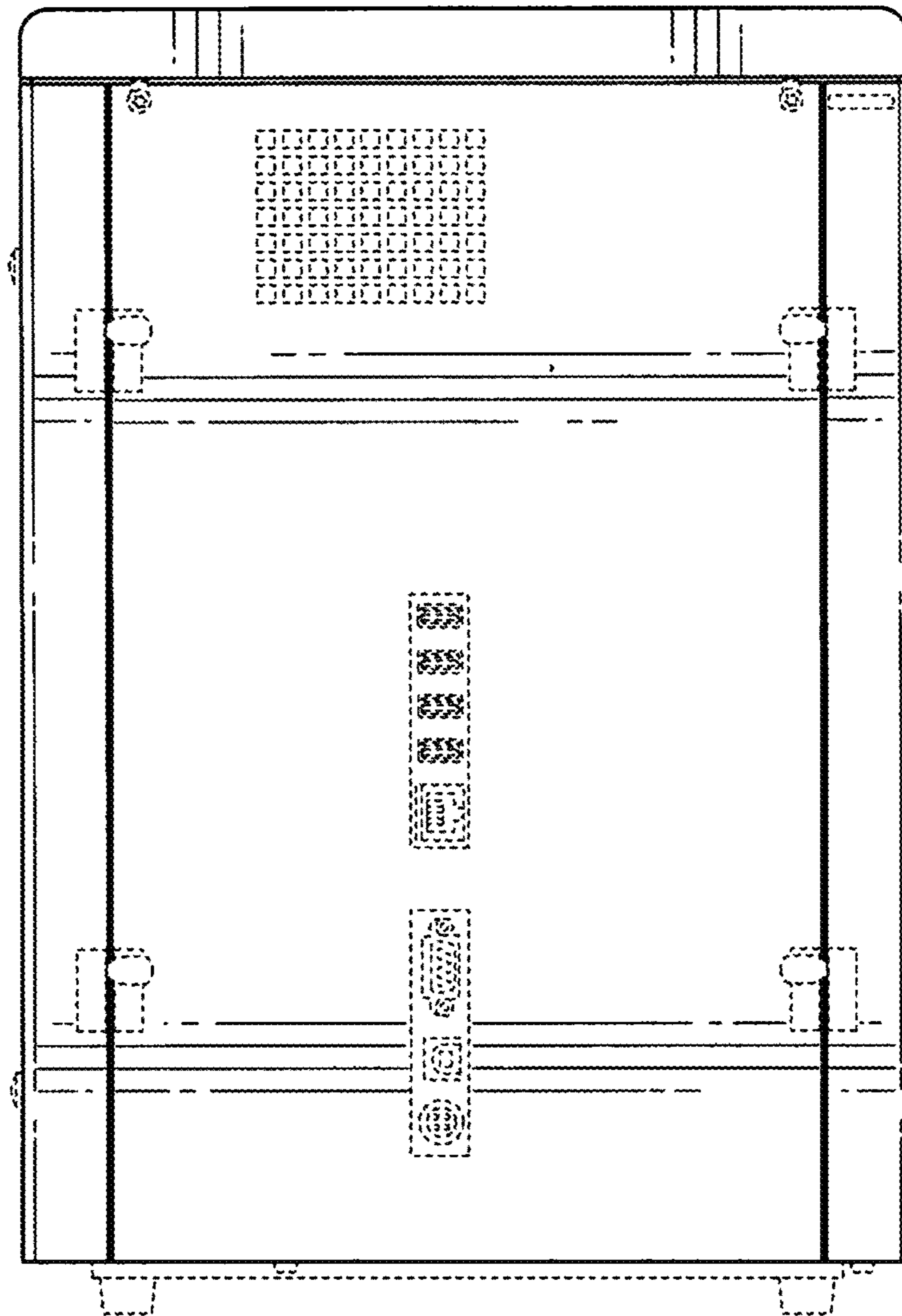


FIG. 3

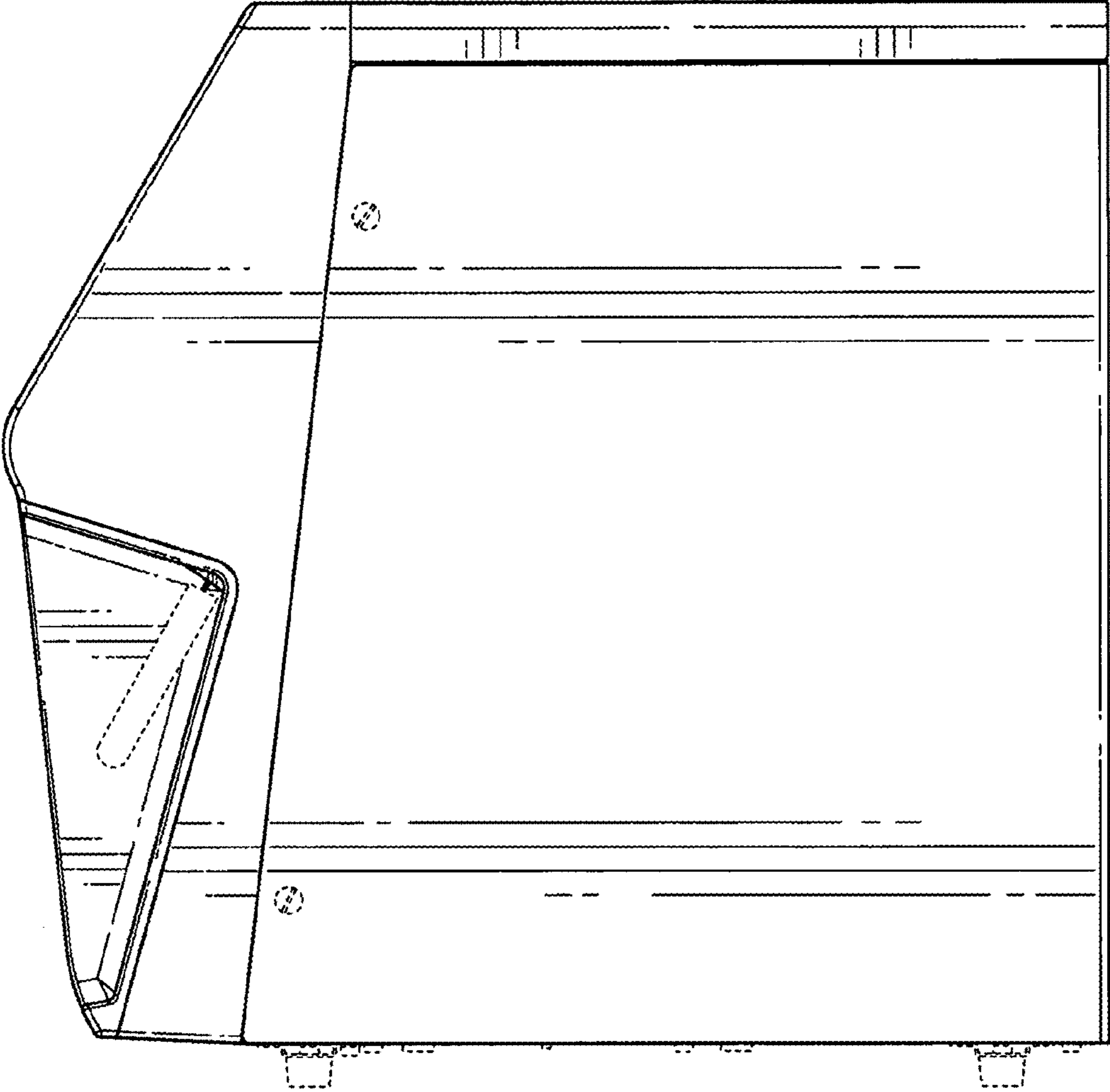


FIG. 4

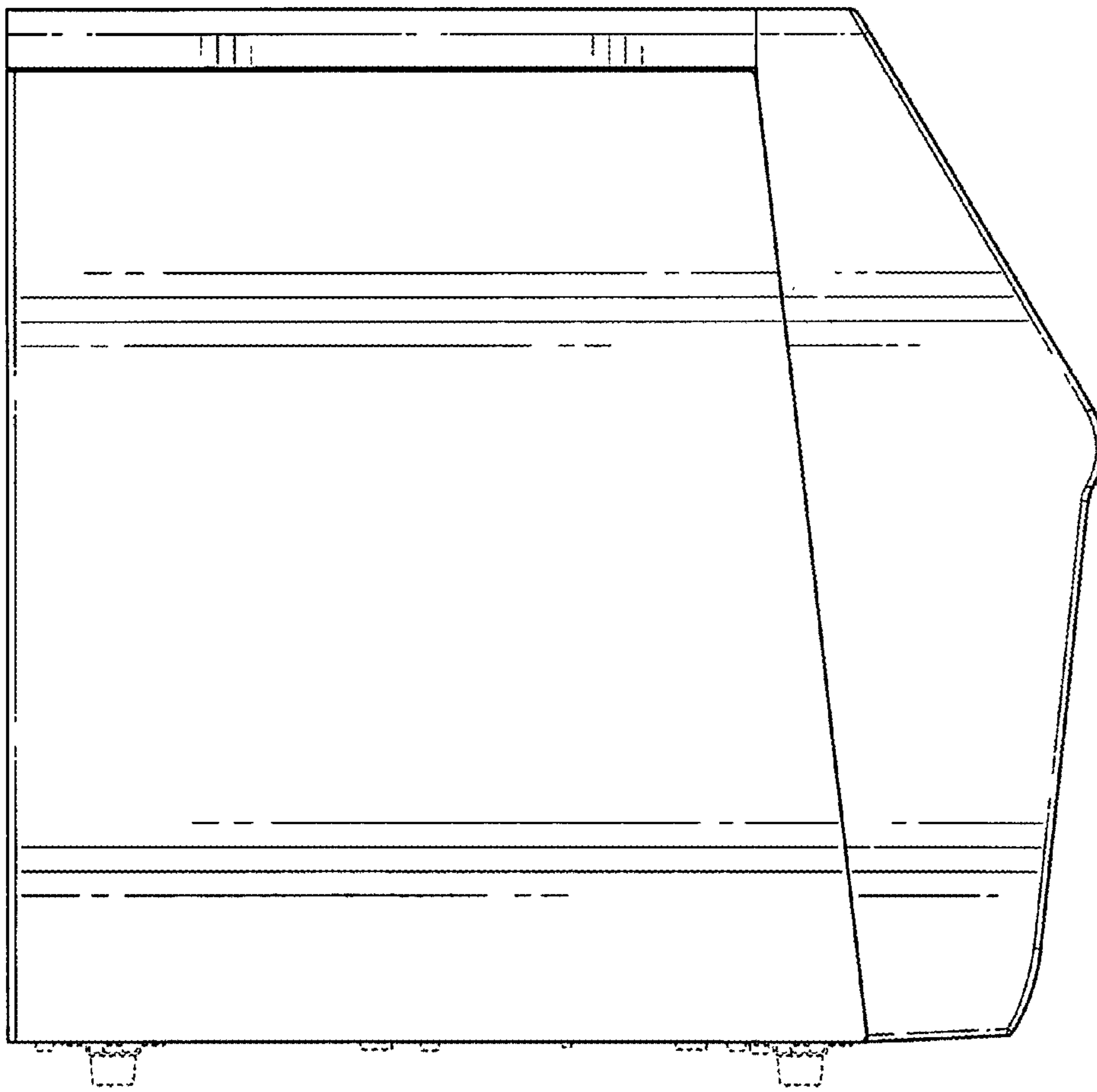


FIG. 5

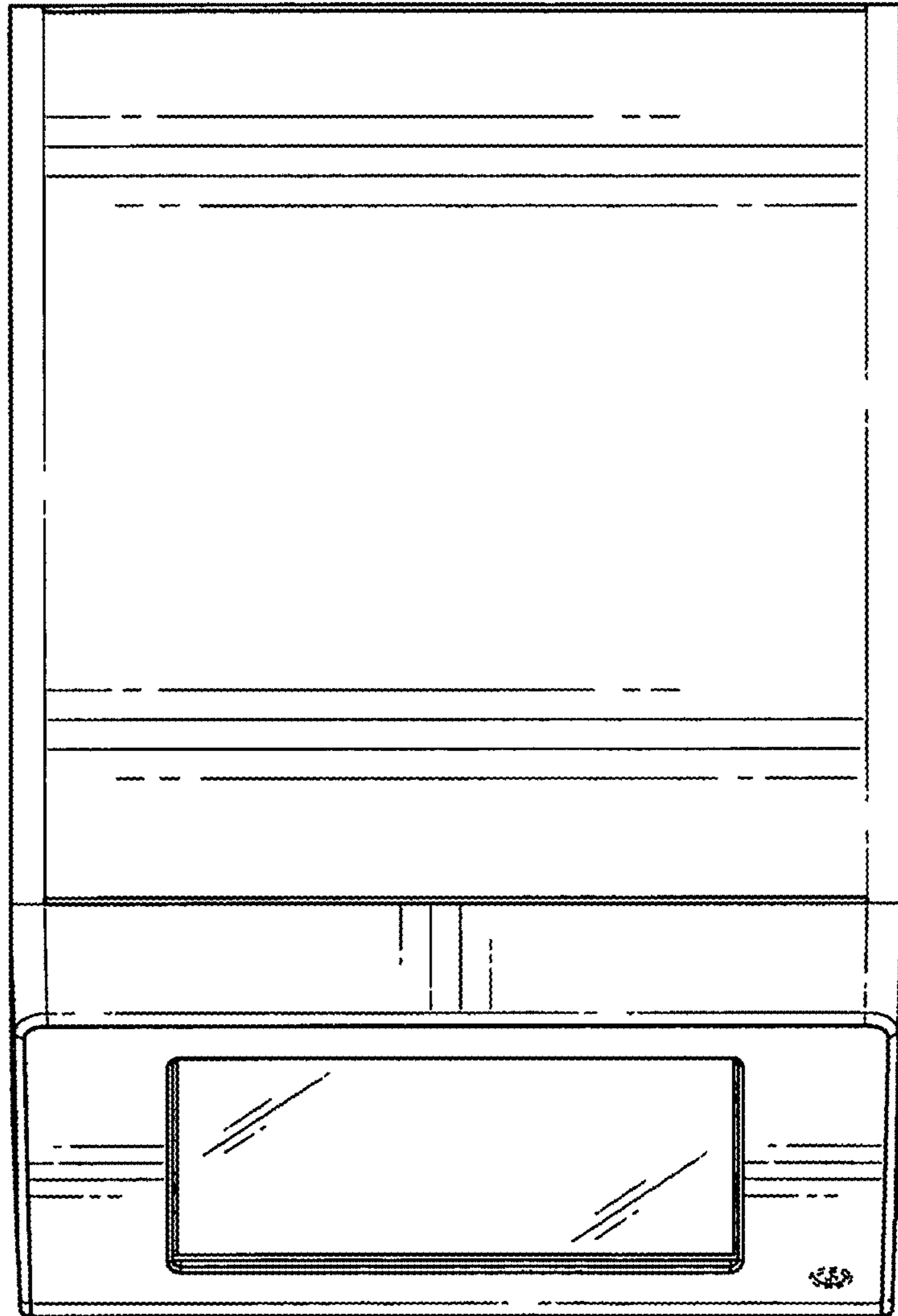


FIG. 6

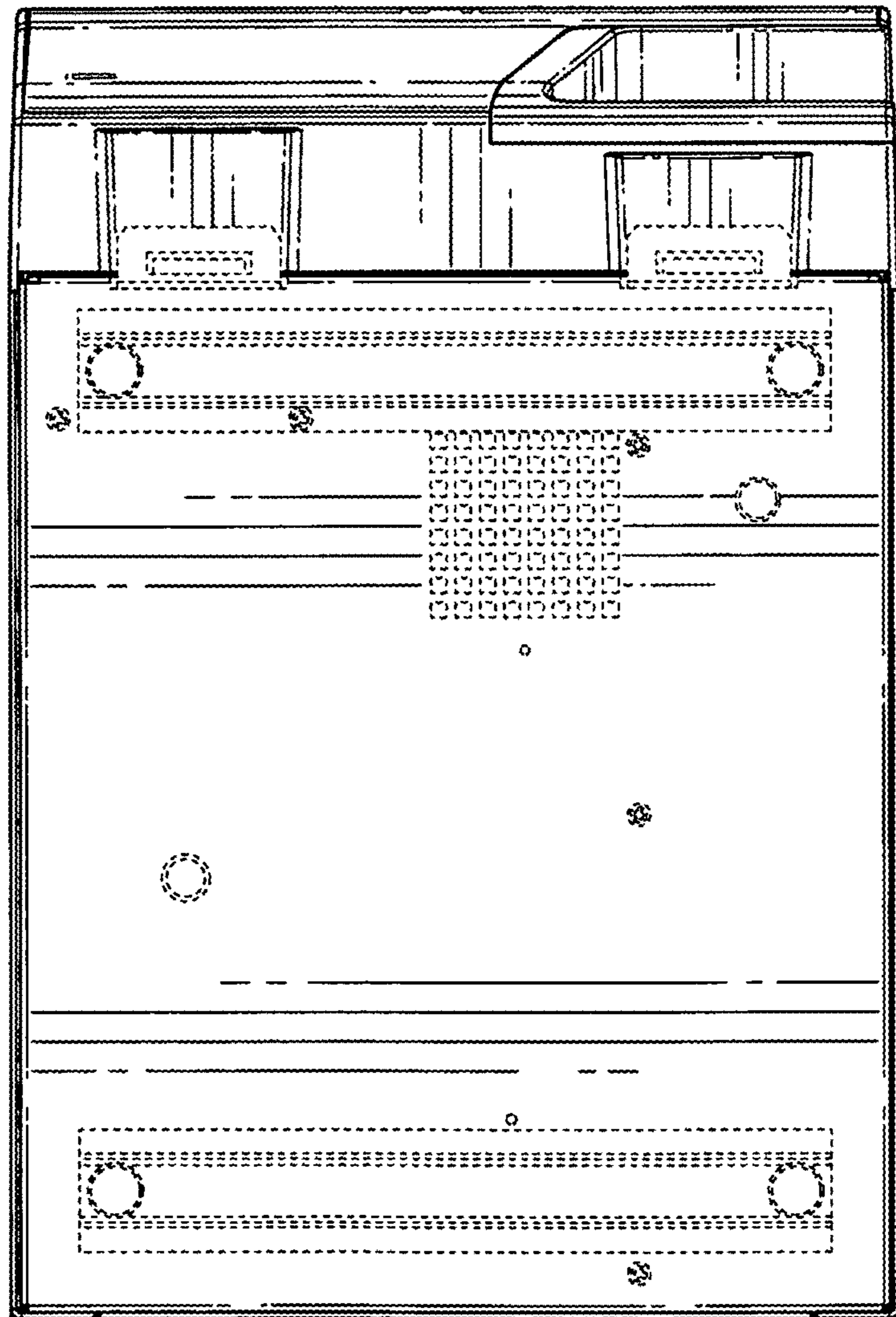


FIG. 7