



US00D774203S

(12) **United States Design Patent** (10) **Patent No.:** **US D774,203 S**
Zolotnik (45) **Date of Patent:** **** Dec. 13, 2016**

(54) **FOOT SOAKING BASIN**
(71) Applicant: **Vladimir Zolotnik**, West Hills, CA (US)
(72) Inventor: **Vladimir Zolotnik**, West Hills, CA (US)
(**) Term: **14 Years**
(21) Appl. No.: **29/508,739**
(22) Filed: **Nov. 10, 2014**
(51) **LOC (10) Cl.** **23-02**
(52) **U.S. Cl.**
USPC **D24/204**
(58) **Field of Classification Search**
USPC D7/514, 518, 560, 561, 564, 576;
D23/276, 277, 278, 284, 295, 296, 299,
D23/315; D24/201, 203, 204, 212, 213;
D28/56, 61; 4/590, 622
CPC A45D 19/06; A45D 29/00; A47K 3/022;
A61H 2205/12; A61H 35/006
See application file for complete search history.

6,438,768 B1 * 8/2002 Yen A47K 3/022
4/622
D475,897 S * 6/2003 Zettle D7/538
D559,041 S * 1/2008 Gartz D7/538
D605,754 S * 12/2009 Nelson D24/121
D630,336 S * 1/2011 Park D24/213
D644,490 S * 9/2011 Shah D7/538
D655,819 S * 3/2012 Ton D24/204
D660,444 S * 5/2012 Tran D24/204
D674,482 S * 1/2013 Wurapa D24/121

* cited by examiner

Primary Examiner — Susan E Krakower
Assistant Examiner — Lisa A Grabenstetter
(74) *Attorney, Agent, or Firm* — Fitch, Even, Tabin & Flannery LLP

(57) **CLAIM**

The ornamental design for foot soaking basin, as shown and described.

DESCRIPTION

FIG. 1 is a perspective view of a foot soaking basin showing my new design;
FIG. 2 is a top plan view thereof;
FIG. 3 is a right side elevation view thereof, the left side elevation view being a mirror image thereof;
FIG. 4 is a left side elevation cross-sectional view thereof, taken along line 4-4 in FIG. 3;
FIG. 5 is a rear side elevation cross-sectional view thereof, taken along line 5-5 in FIG. 3;
FIG. 6 is a front side elevation cross-sectional view thereof, taken along line 6-6 in FIG. 3; and,
FIG. 7 is a bottom plan view thereof.
The broken lines depict unclaimed subject matter only and form no part of the claimed design.

1 Claim, 4 Drawing Sheets

(56) **References Cited**
U.S. PATENT DOCUMENTS
1,021,346 A * 3/1912 Wilson 4/622
1,060,236 A * 4/1913 Dodge A61H 35/006
4/622
3,155,092 A * 11/1964 McNair 601/157
D352,423 S * 11/1994 Laib D7/538
D373,053 S * 8/1996 Allegre D7/354
5,797,150 A * 8/1998 Lanz 4/619
6,363,548 B1 * 4/2002 Kuo A47K 3/022
4/541.1
D456,673 S * 5/2002 Kerman D7/543

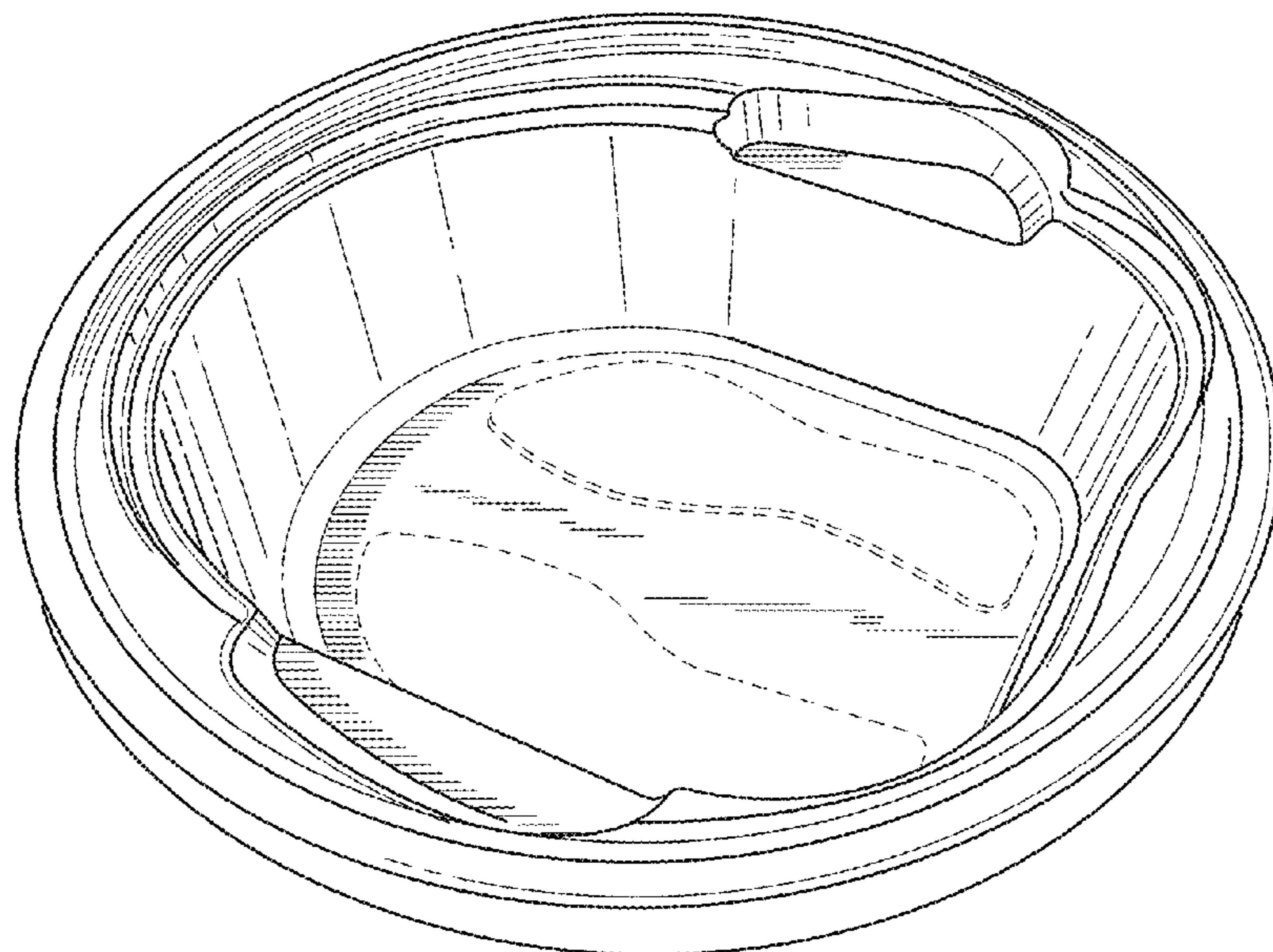
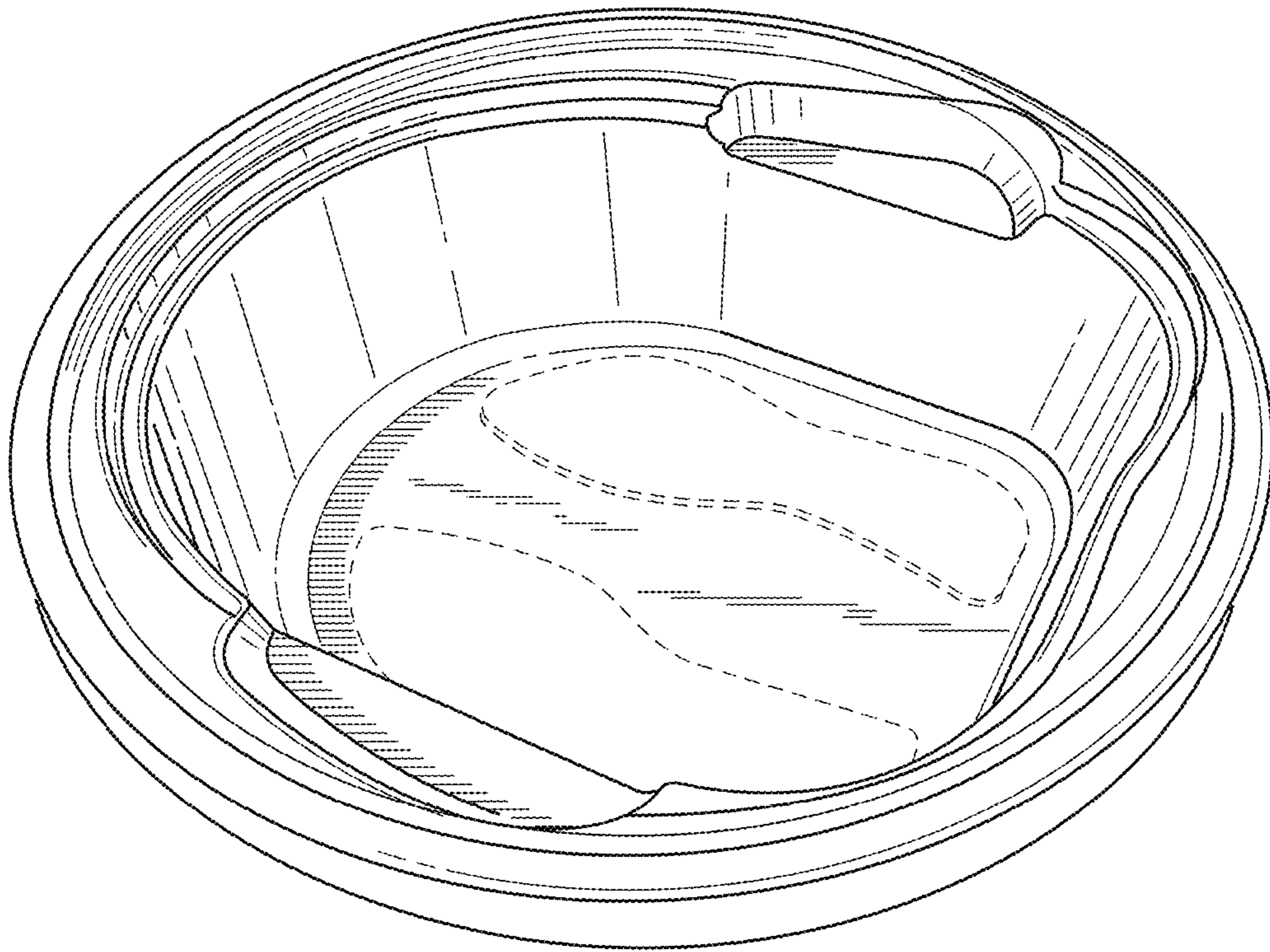


FIG. 1



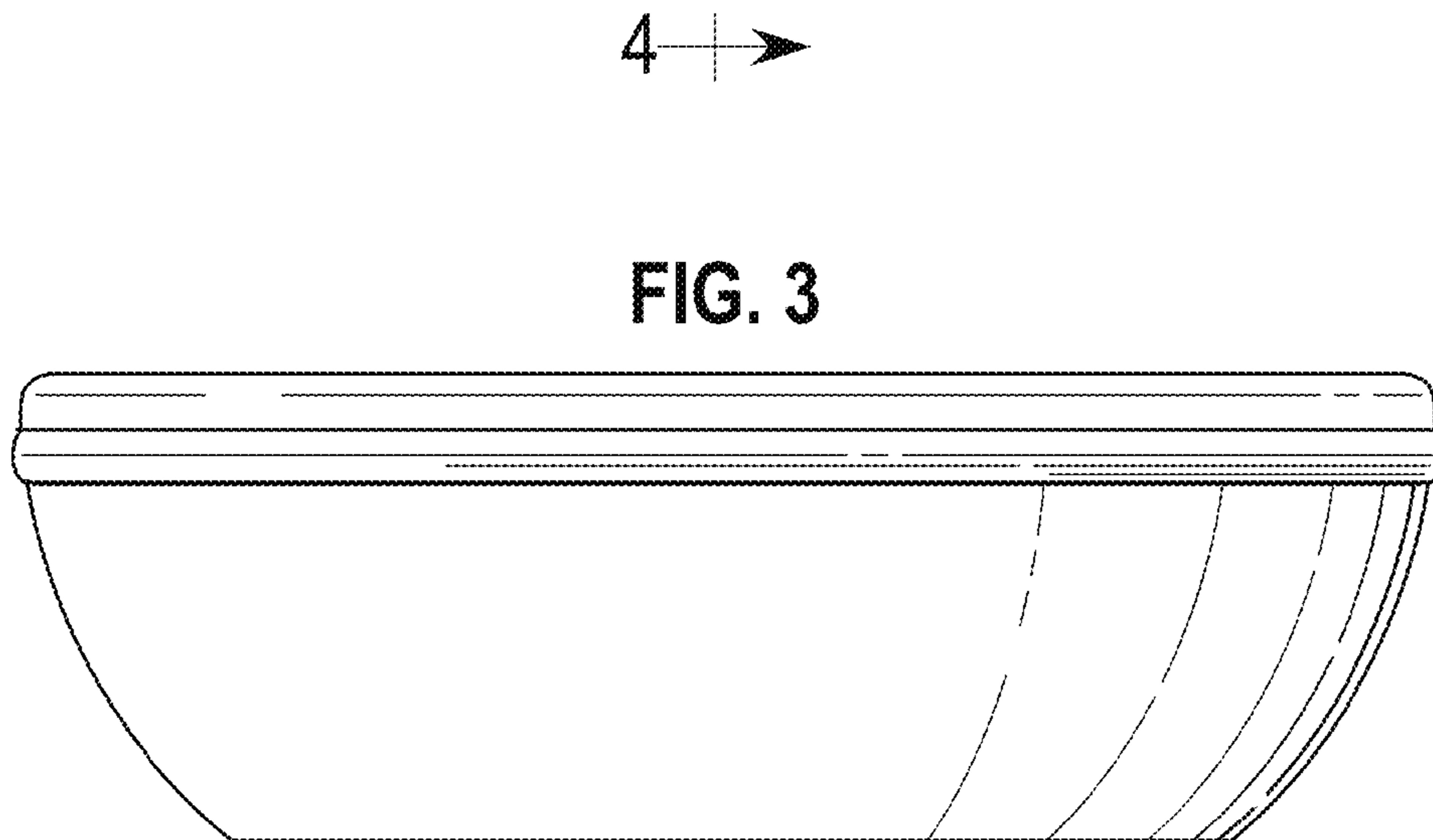
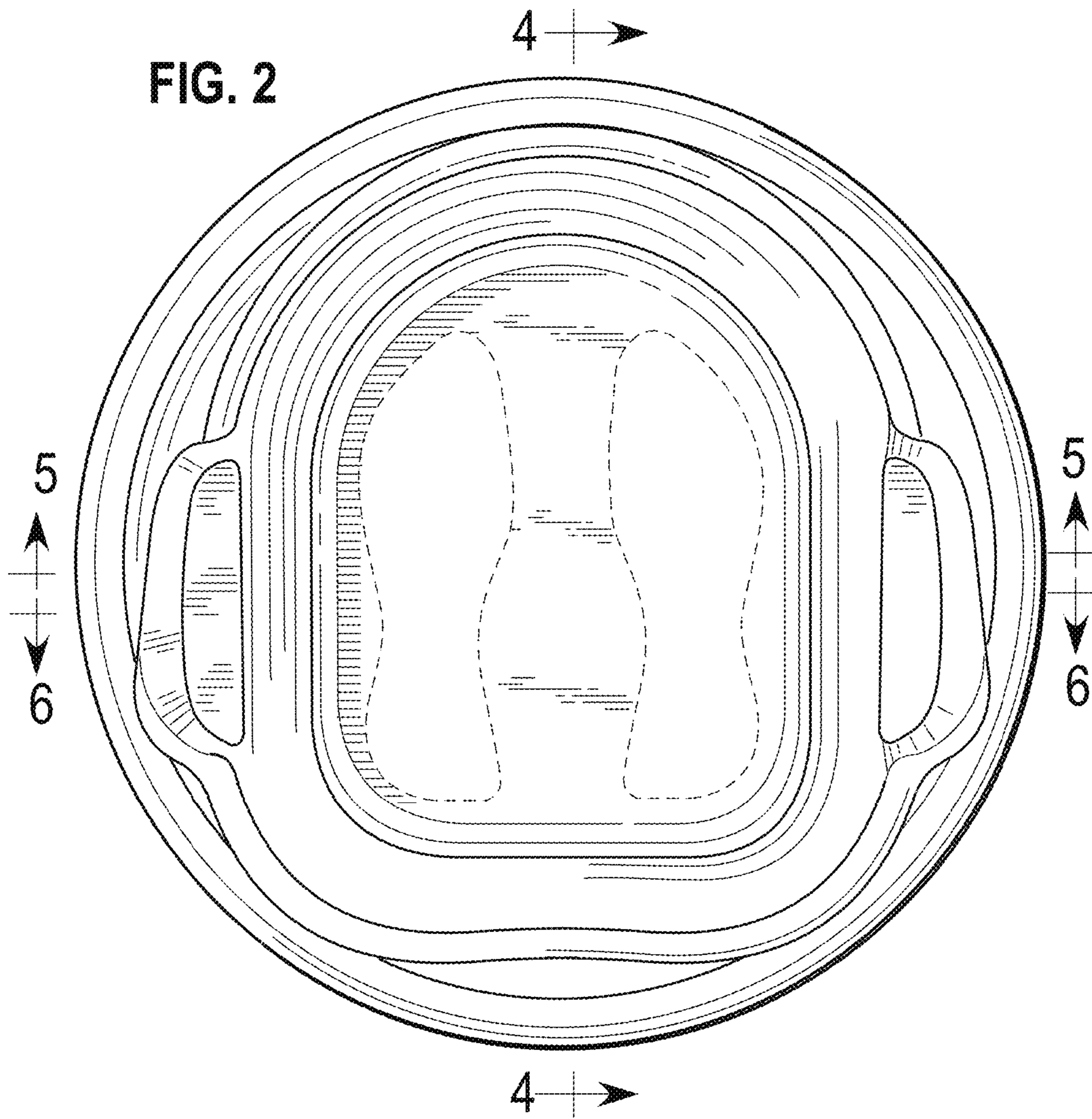


FIG. 4

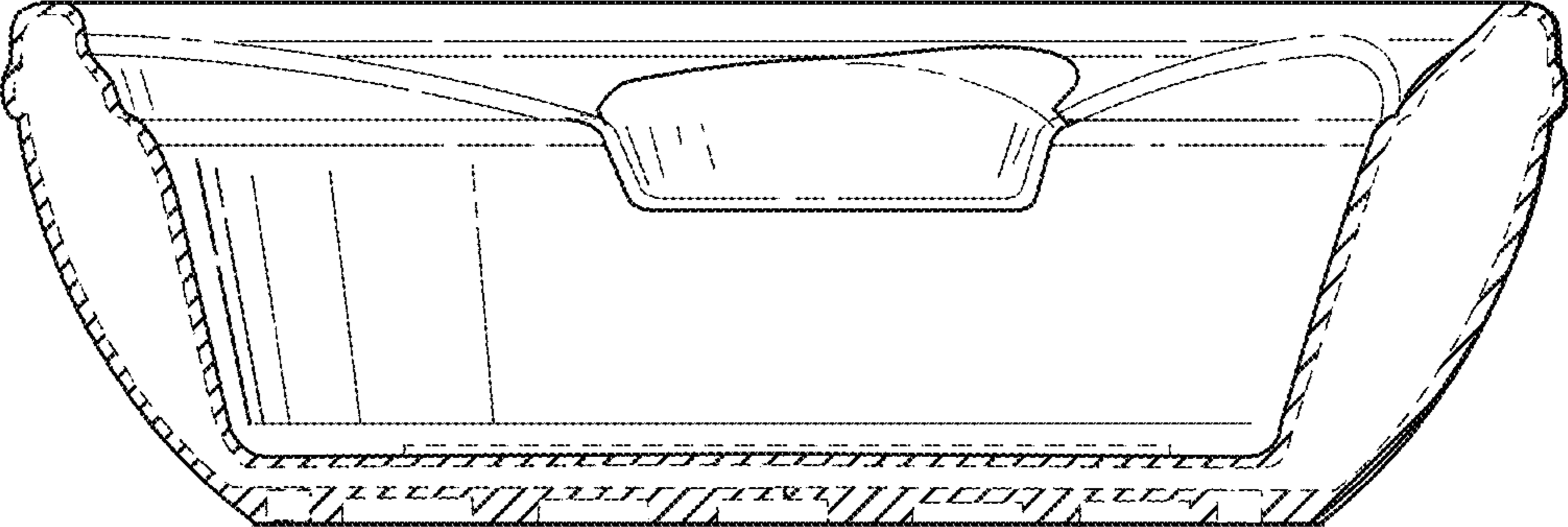


FIG. 5

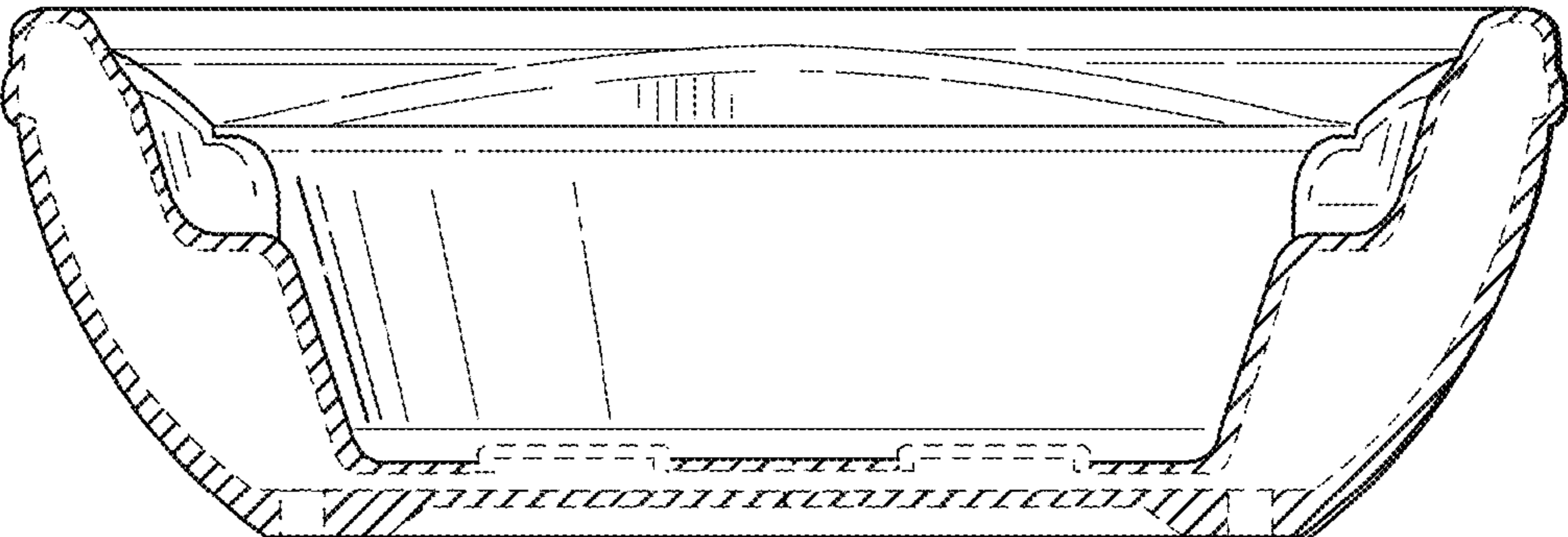


FIG. 6

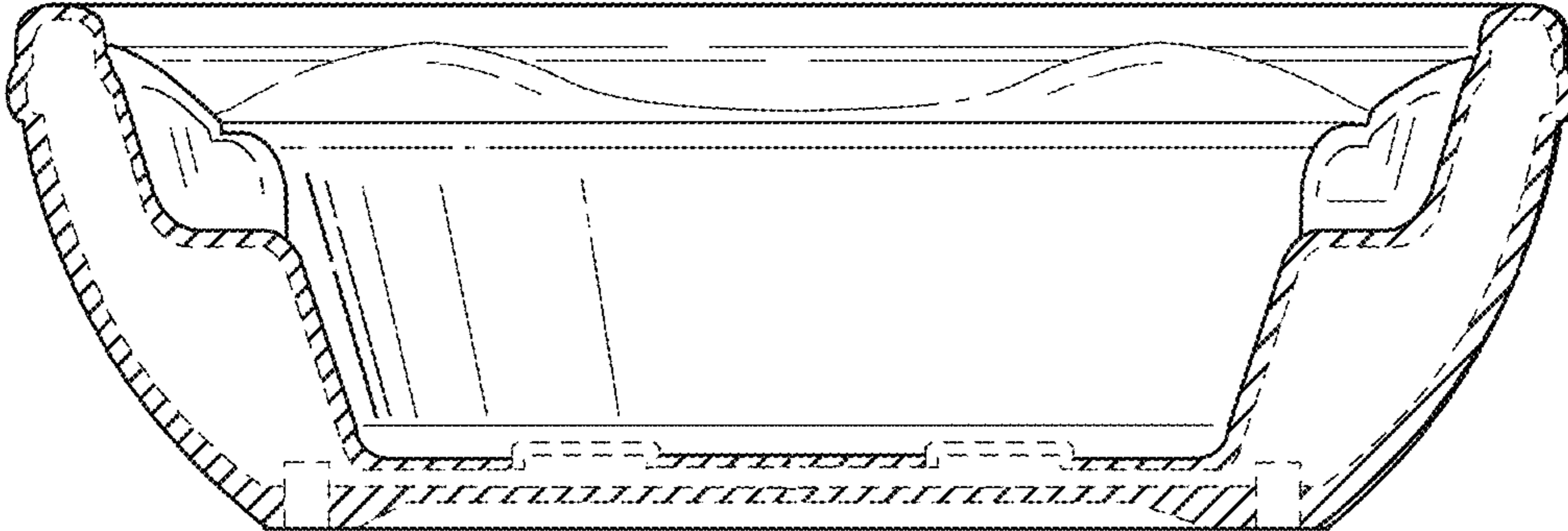


FIG. 7

