



US00D774198S

(12) **United States Design Patent** (10) **Patent No.:** **US D774,198 S**
Farris et al. (45) **Date of Patent:** **** Dec. 13, 2016**

(54) **MOVEMENT ASSISTANCE DEVICE**

(71) Applicant: **Parker-Hannifin Corporation**,
Cleveland, OH (US)
(72) Inventors: **Ryan Farris**, Cleveland, OH (US);
Mike Clausen, Turlock, CA (US);
Edgar Wilson, Toledo, OH (US)

(73) Assignee: **Parker-Hannifin Corporation**,
Cleveland, OH (US)

(**) Term: **14 Years**

(21) Appl. No.: **29/486,534**

(22) Filed: **Mar. 31, 2014**

(51) **LOC (10) Cl.** **24-04**

(52) **U.S. Cl.**
USPC **D24/188**

(58) **Field of Classification Search**
USPC D24/183, 188, 190
CPC A61H 33/0087; A61H 33/0095; A61H
2033/0016; A63B 22/02
See application file for complete search history.

(56) **References Cited**

U.S. PATENT DOCUMENTS

3,491,385	A *	1/1970	Werner	A61G 13/00
					5/633
3,672,361	A *	6/1972	Fourneron	A63B 21/0023
					482/132
4,102,336	A *	7/1978	Wiener	A61H 1/0218
					606/241
4,915,101	A *	4/1990	Cuccia	A61H 1/0229
					606/244
5,282,834	A *	2/1994	Remy	A61H 1/02
					128/845
5,472,401	A *	12/1995	Rouillard	A63B 23/0233
					482/142
6,428,496	B1 *	8/2002	Sargent	A61F 5/04
					602/32
6,976,944	B1 *	12/2005	Damasio	A61H 1/0222
					482/112
7,144,353	B2 *	12/2006	Sjuragari	A63B 21/00047
					482/142

* cited by examiner

Primary Examiner — T. Chase Nelson

Assistant Examiner — Michelle E Wilson

(74) *Attorney, Agent, or Firm* — Renner, Otto,
Boisselle & Sklar, LLP

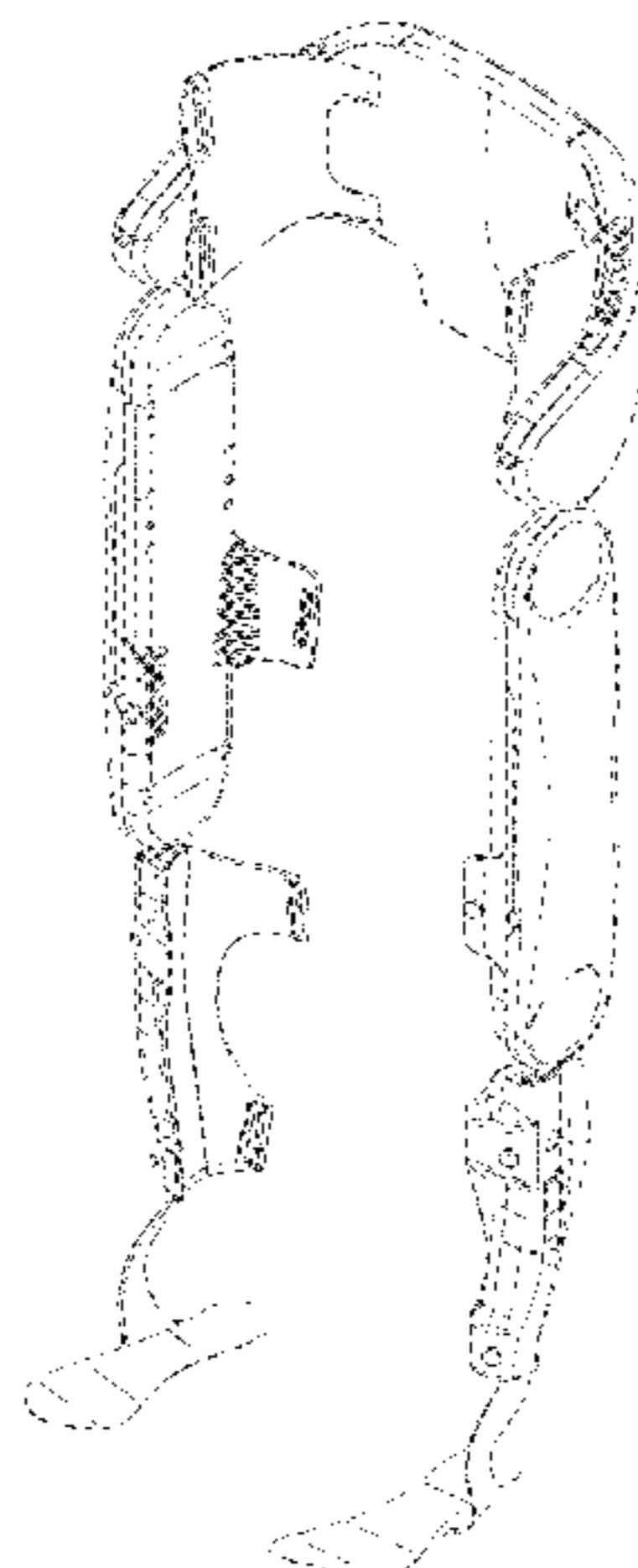
(57) **CLAIM**

The ornamental design for a movement assistance device, as shown and described.

DESCRIPTION

FIG. 1 is a perspective view of a movement assistance device showing my new design;
FIG. 2 is a front view thereof;
FIG. 3 is left side view thereof, the right side view being a mirror image thereof;
FIG. 4 is rear view thereof;
FIG. 5 is a top view thereof;
FIG. 6 is a bottom view thereof;
FIG. 7 is a perspective view thereof, shown in a sitting position;
FIG. 8 is a front view thereof, shown in a sitting position;
FIG. 9 is left side view thereof, shown in a sitting position, the right side view being a mirror image thereof;
FIG. 10 is rear view thereof, shown in a sitting position;
FIG. 11 is a top view thereof, shown in a sitting position;
and,
FIG. 12 is a bottom view thereof, shown in a sitting position. The broken lines shown in the drawings represent portions of the movement assistance device that form no part of the claimed design.
It is understood that the appearance of any part of the article not shown in the drawing or described in the specification forms no part of the claimed design.

1 Claim, 12 Drawing Sheets



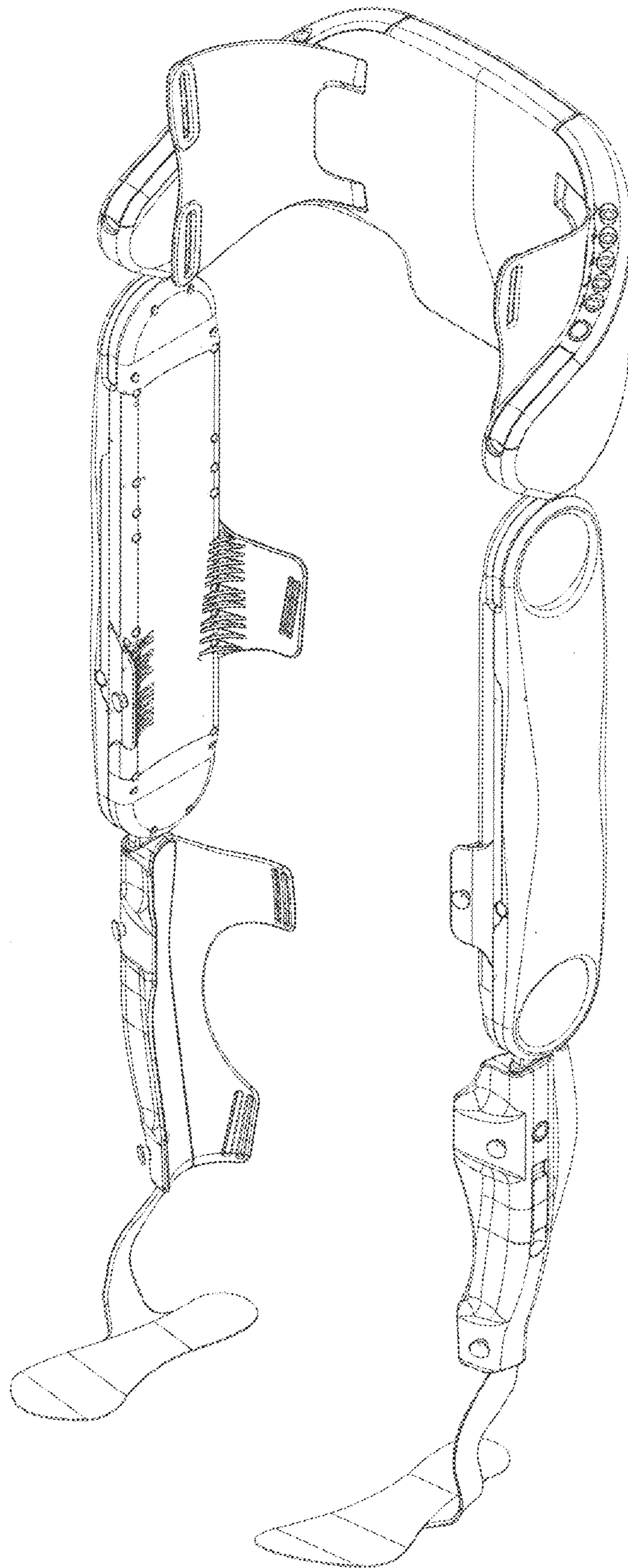


FIG. 1

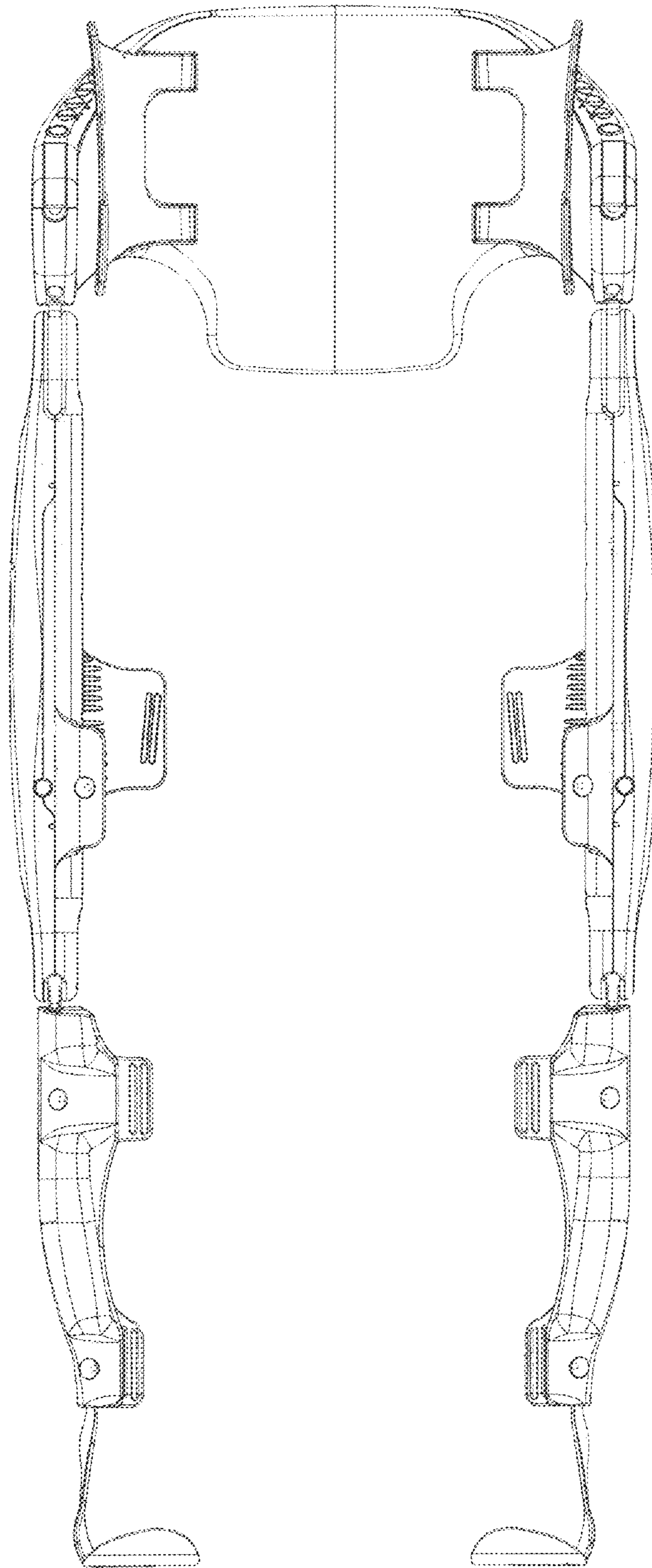
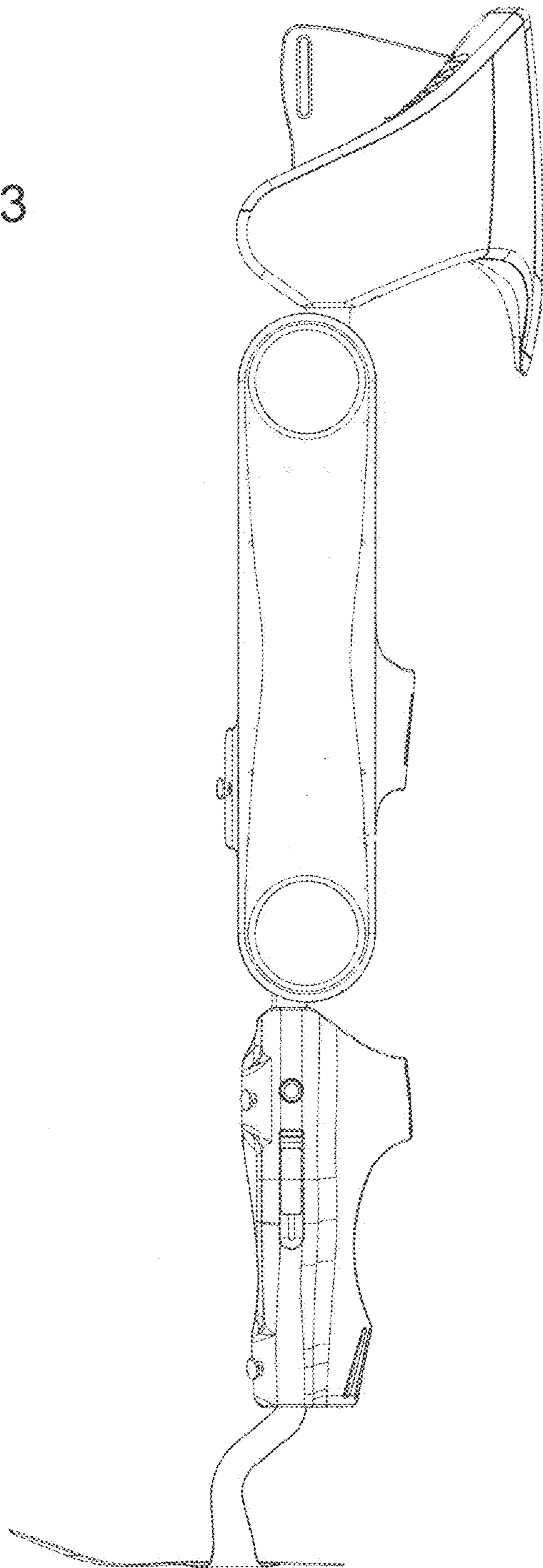


FIG. 2

FIG. 3



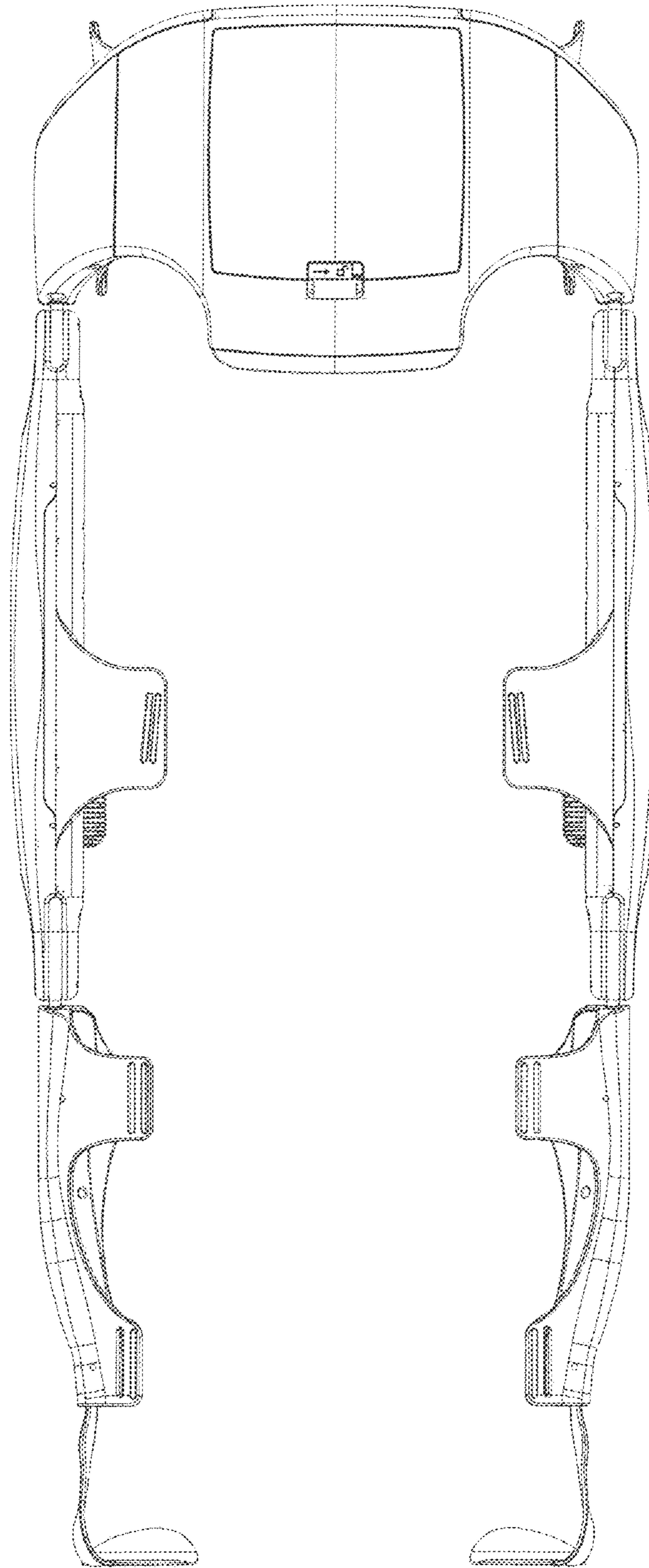


FIG. 4

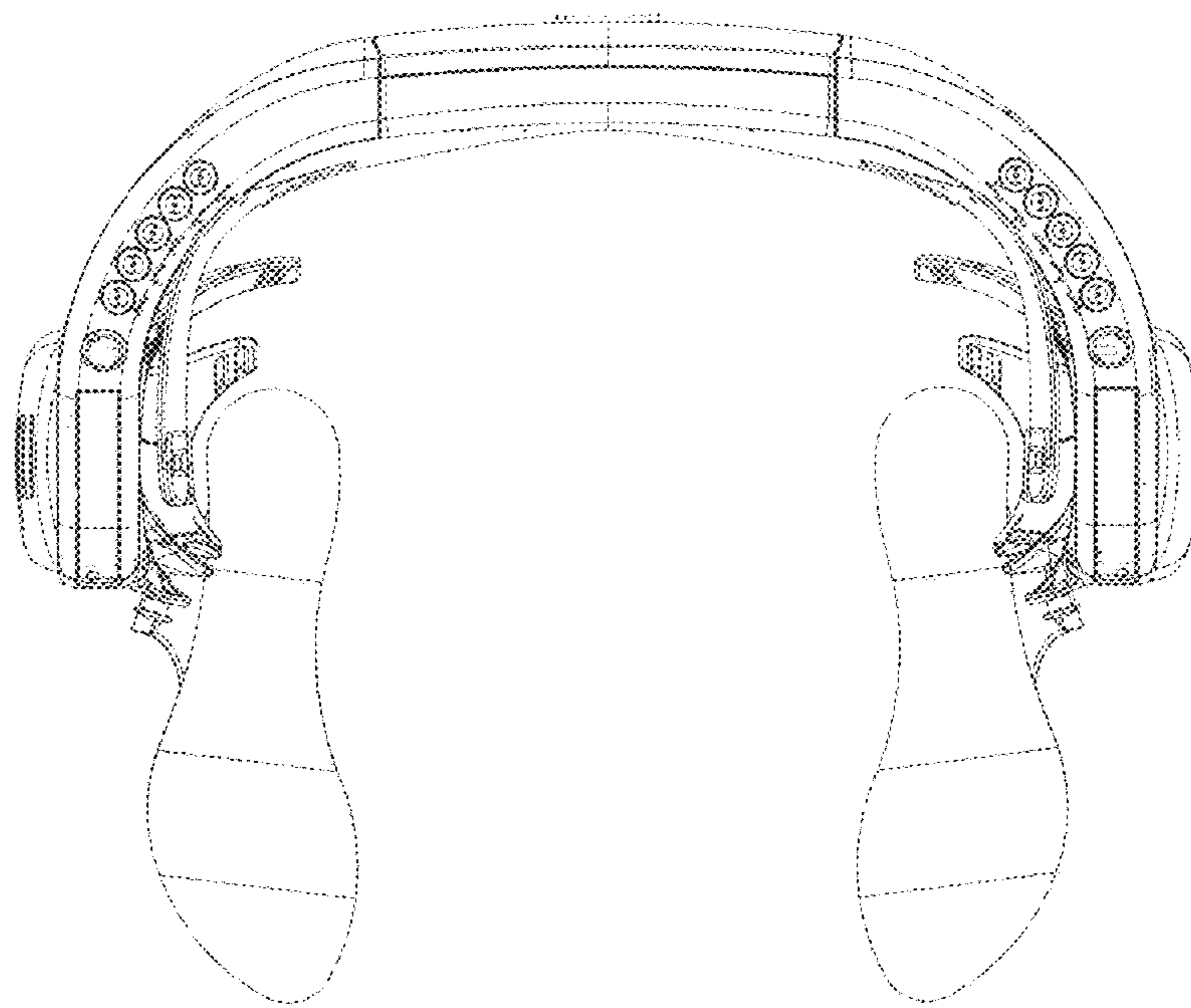


FIG. 5

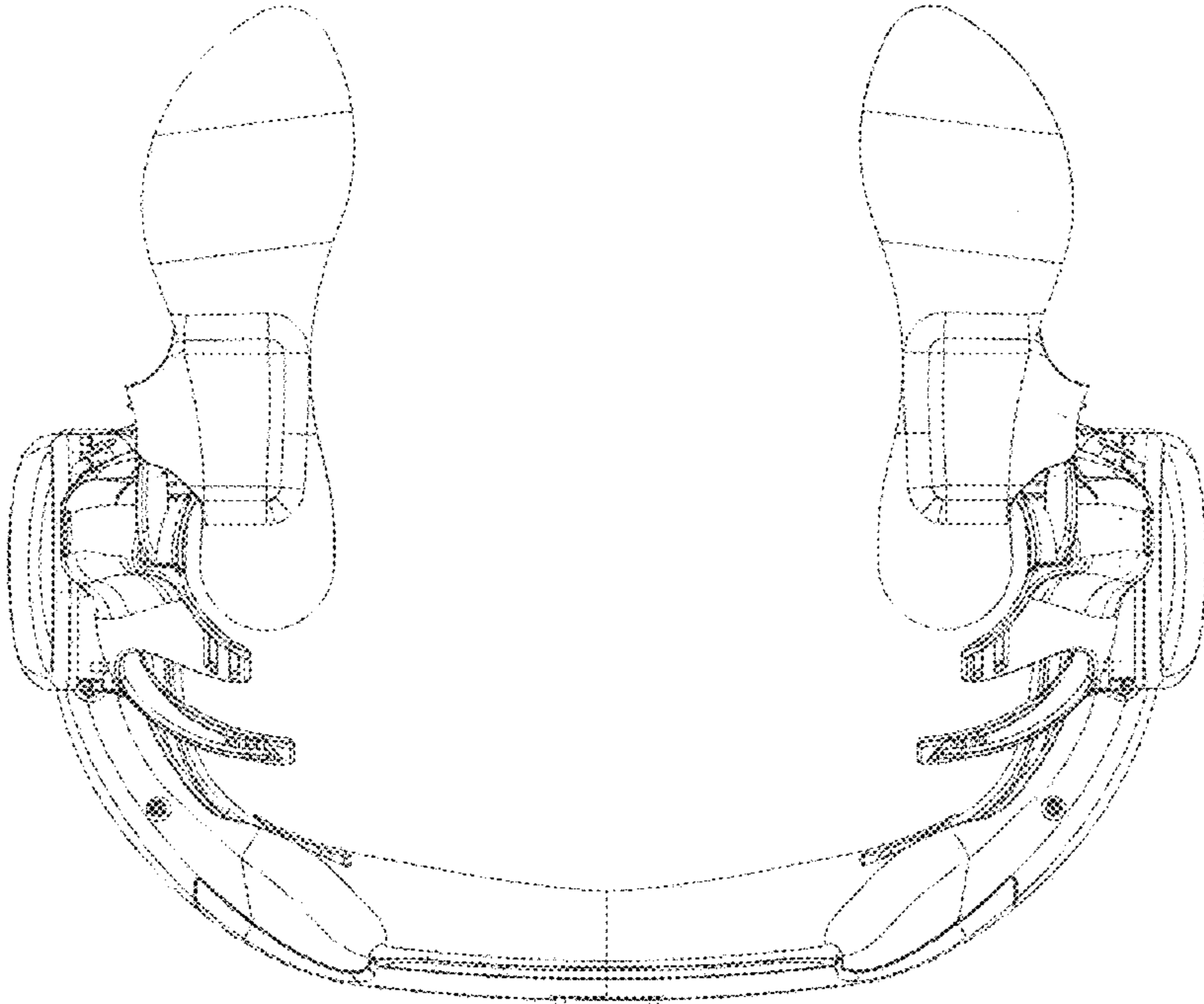


FIG. 6

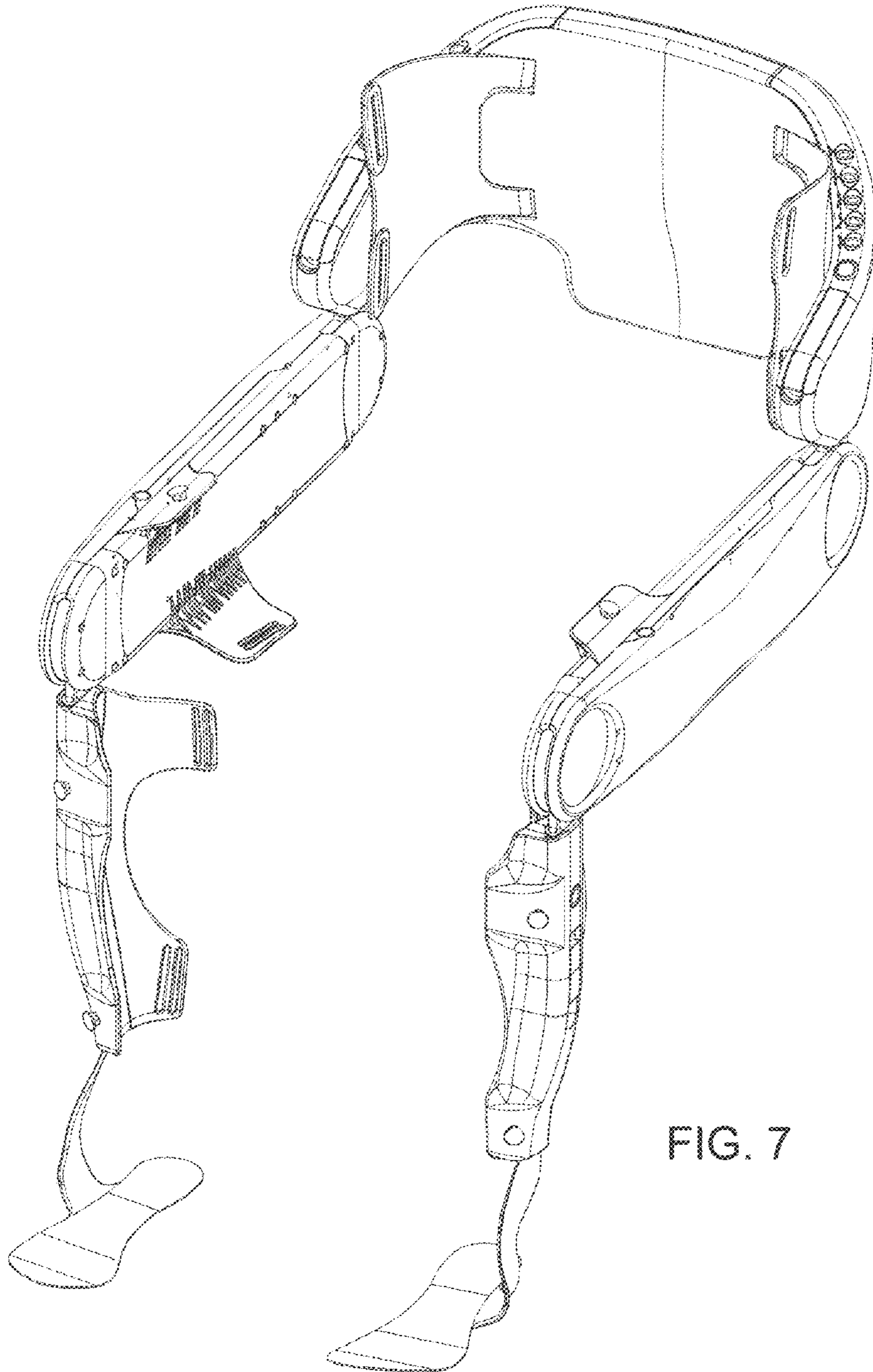


FIG. 7

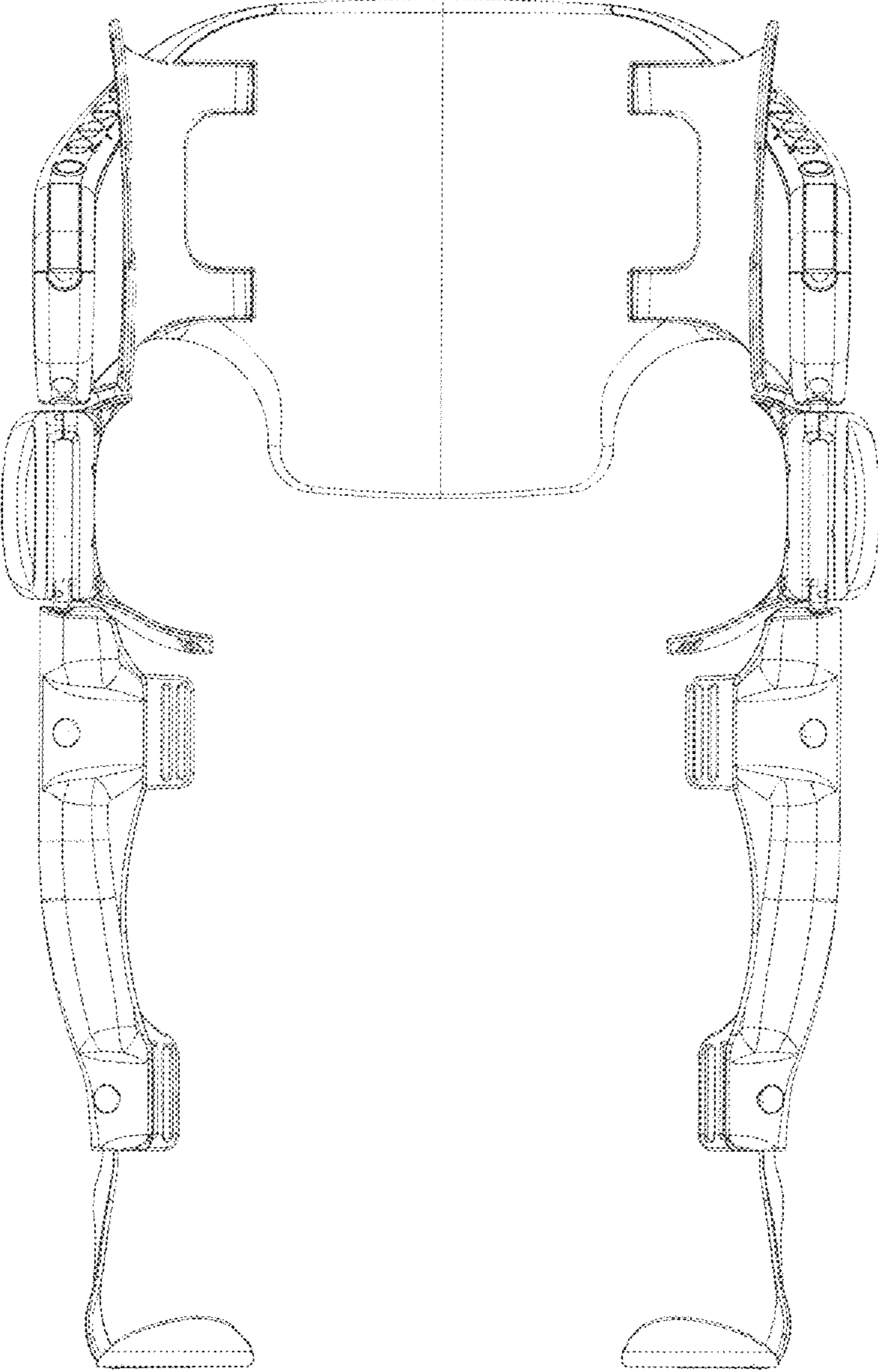


FIG. 8

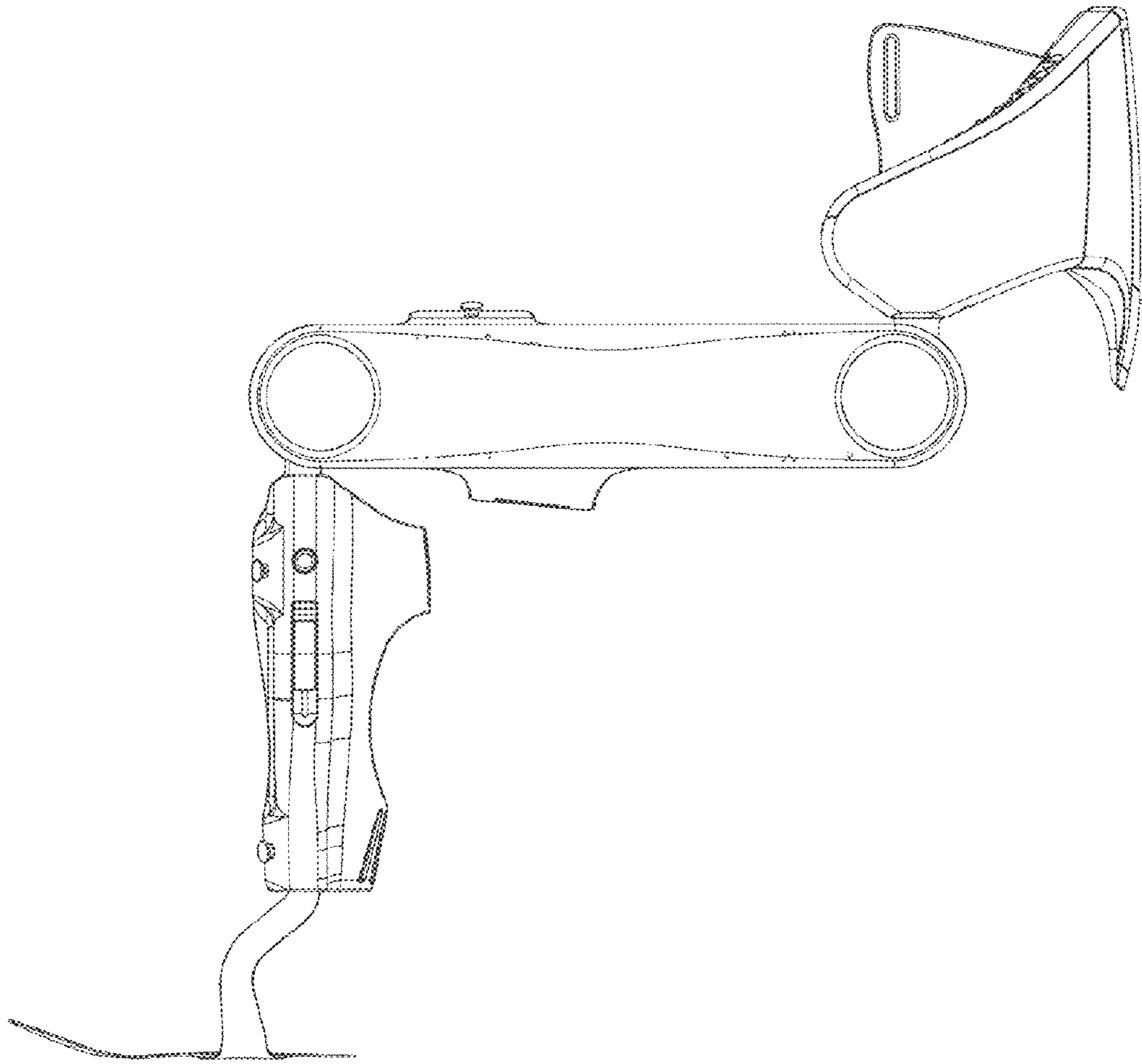


FIG. 9

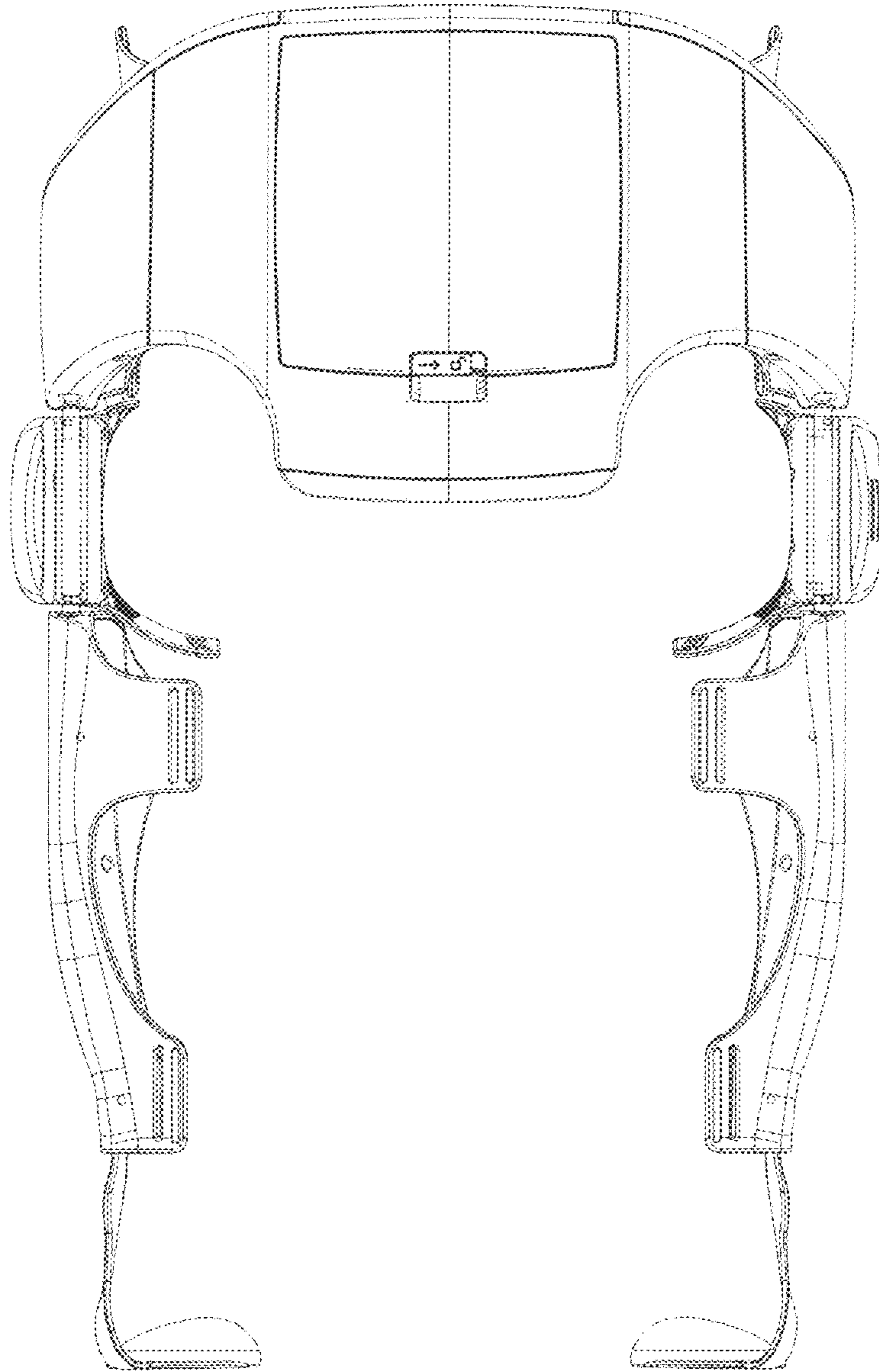


FIG. 10

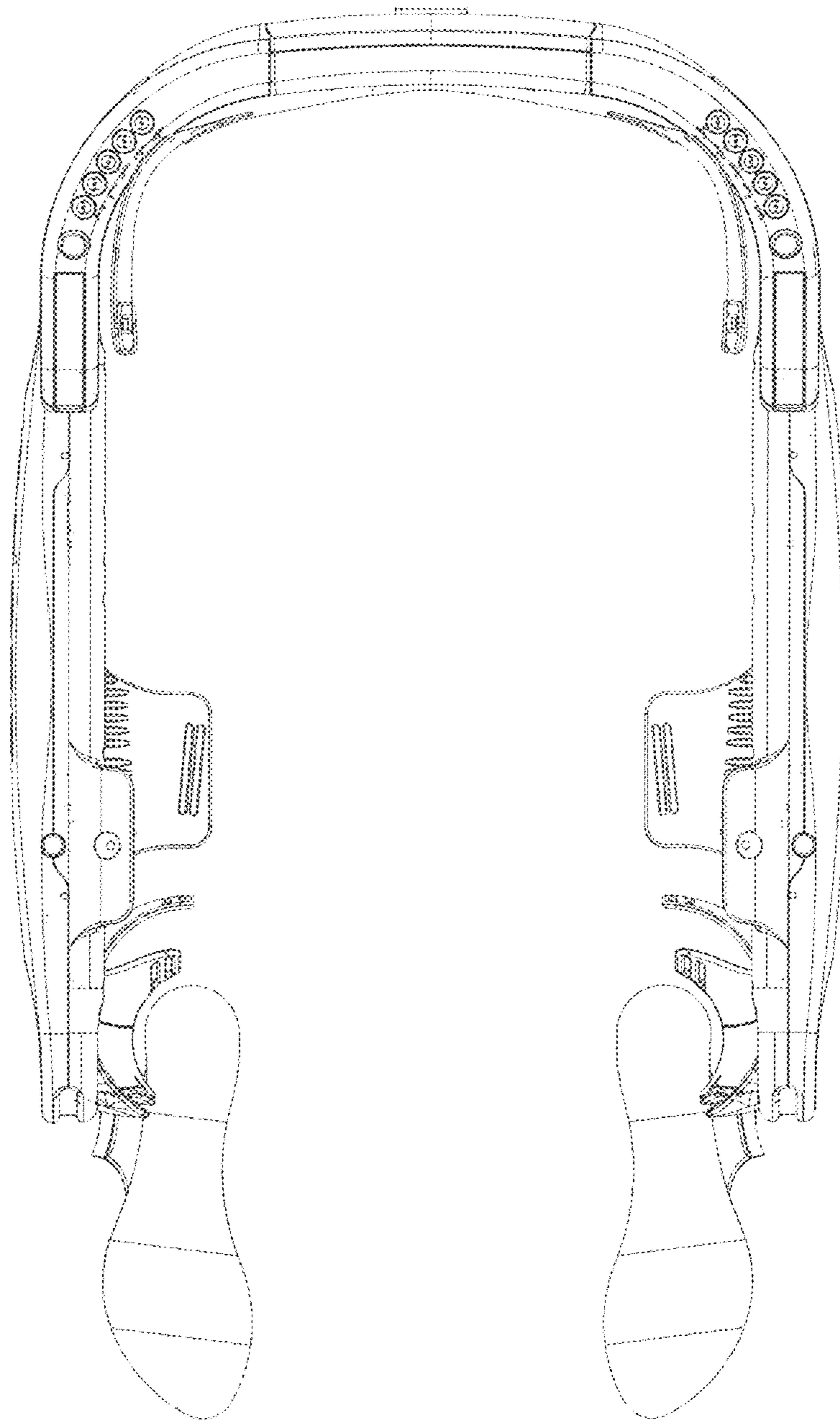


FIG. 11

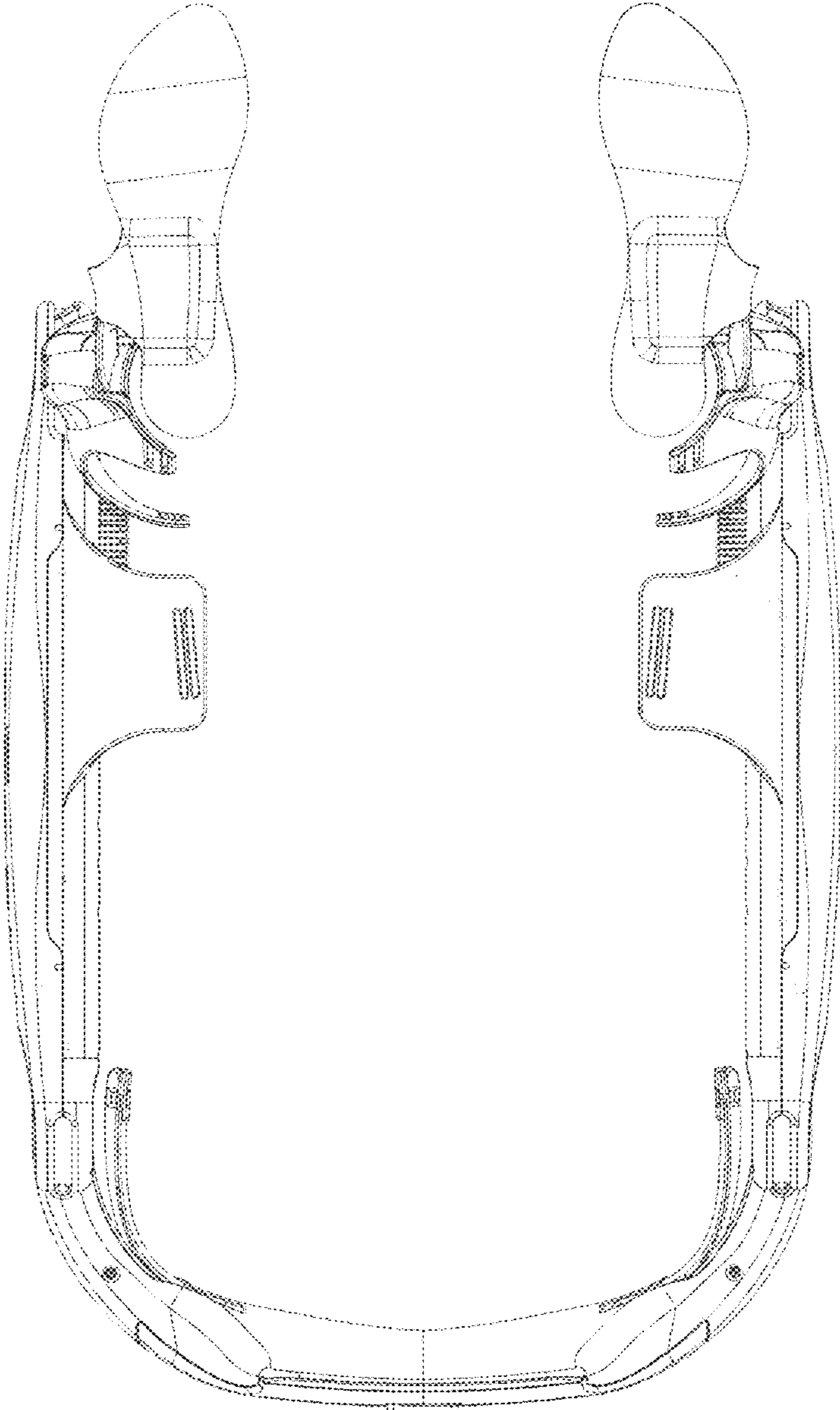


FIG. 12