

US00D774196S

(12) **United States Design Patent** (10) **Patent No.:** **US D774,196 S**
Cox (45) **Date of Patent:** **** Dec. 13, 2016**

(54) **PERSONAL MEDICAL STAND**
(71) Applicant: **Sammy Lane Cox**, Amarillo, TX (US)
(72) Inventor: **Sammy Lane Cox**, Amarillo, TX (US)
(**) Term: **15 Years**

(21) Appl. No.: **29/540,572**
(22) Filed: **Sep. 25, 2015**
(51) **LOC (10) Cl.** **24-01**
(52) **U.S. Cl.**
USPC **D24/185**
(58) **Field of Classification Search**
USPC D24/185, 234, 128, 172; D6/653.15,
D6/691.2, 656.15, 690, 691.4, 696.1, 708,
D6/708.17; 273/309
CPC A63F 1/067; A61M 16/00; A47B 25/00;
A47B 37/00; A47B 2037/005
See application file for complete search history.

(56) **References Cited**
U.S. PATENT DOCUMENTS

3,557,791 A	1/1971	Duffy
D246,186 S	10/1977	Rorabaugh
D270,588 S	9/1983	Kemple
D422,803 S	4/2000	Bufalini
D447,567 S	9/2001	Murphy
D454,400 S	3/2002	Nored
D478,431 S	8/2003	Britigan
D481,350 S	10/2003	McCoy et al.
D567,381 S	4/2008	Olivera
D568,467 S	5/2008	Cottone
7,578,507 B2	8/2009	Slappay
D613,082 S	4/2010	Peel
D616,551 S	5/2010	Fallon et al.
D626,238 S	10/2010	Zinnanti
7,854,230 B2	12/2010	Faries et al.
D664,792 S	8/2012	Gustafson et al.
8,397,647 B1	3/2013	Riegel

D685,913 S 7/2013 Augustinos et al.
D687,657 S 8/2013 Ruitter et al.
D689,705 S 9/2013 Gustafson et al.
D691,840 S 10/2013 Copeland
(Continued)

OTHER PUBLICATIONS

“ECX.Images” reference dated Jan. 5, 2015, found on the internet at http://ecs.images-amazon.com/images/1/41g%2BBvTWEJL._SY300_.jpg, 1 pg.

(Continued)

Primary Examiner — Wan Laymon
(74) *Attorney, Agent, or Firm* — Chainey P. Singleton; Chalker Flores, LLP

(57) **CLAIM**

The ornamental design for a personal medical stand, as shown and described.

DESCRIPTION

FIG. 1 is a see through isometric top view of a personal medical stand showing my new design to position, wherein the tool is merely to show scale.

FIG. 2 is a side view of a personal medical stand showing my new design.

FIG. 3 is a side view of a personal medical stand showing my new design.

FIG. 4 is a side view of a personal medical stand showing my new design.

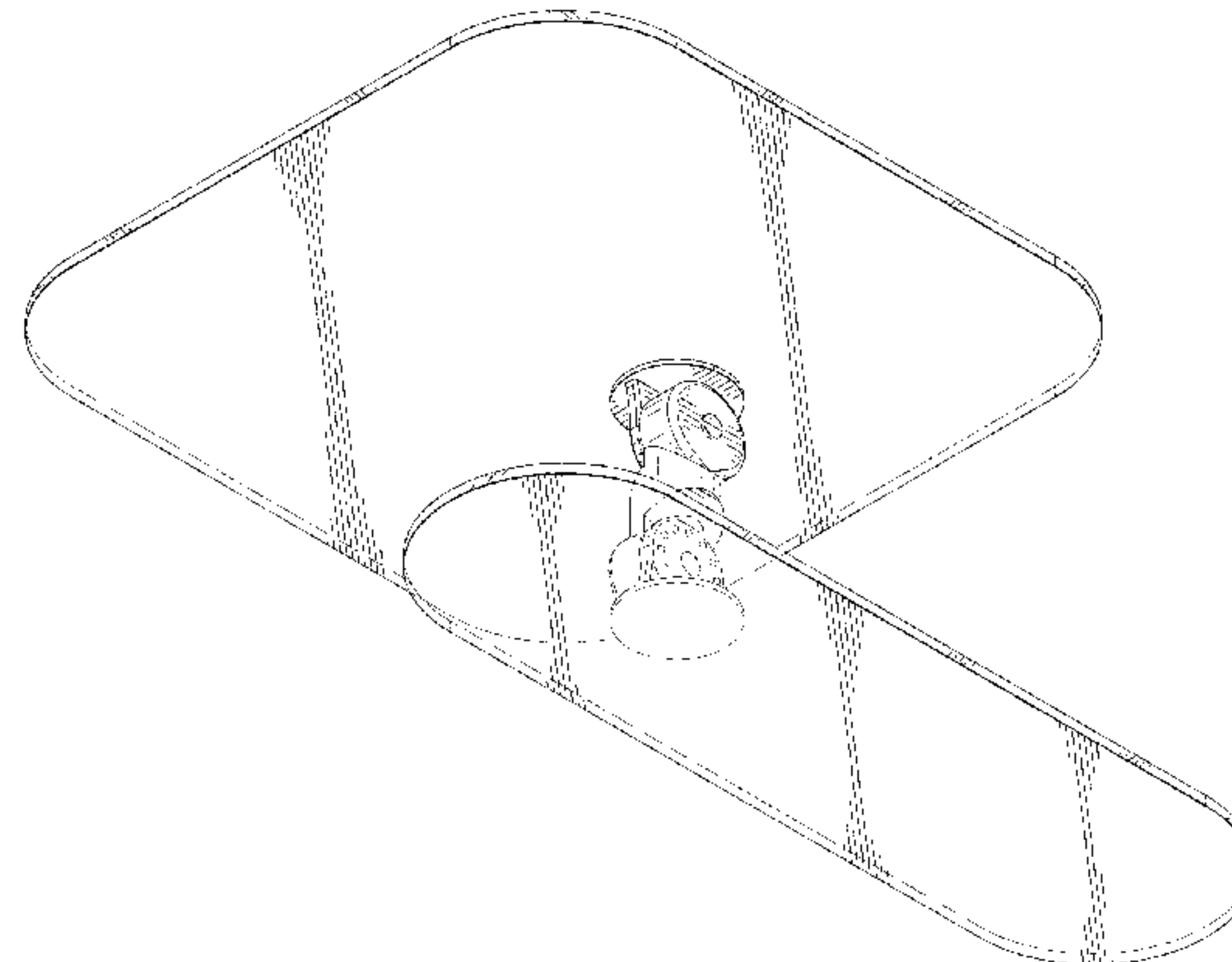
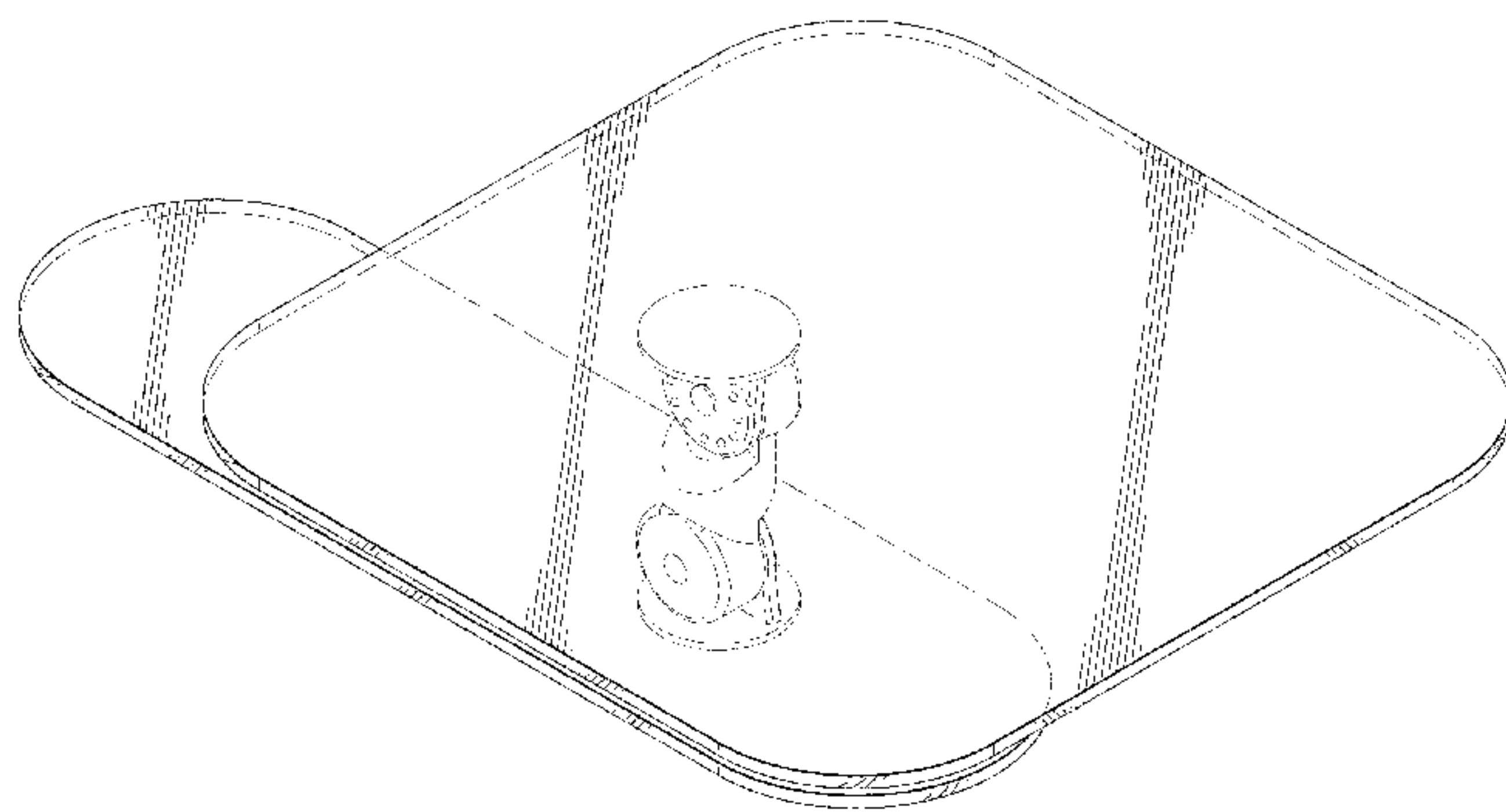
FIG. 5 is a side view of a personal medical stand showing my new design.

FIG. 6 is a top view of a personal medical stand showing my new design.

FIG. 7 is a bottom view of a personal medical stand showing my new design; and,

FIG. 8 is an isometric bottom view of a personal medical stand showing my new design to position.

1 Claim, 6 Drawing Sheets



(56)

References Cited

U.S. PATENT DOCUMENTS

D692,264 S 10/2013 Weatherly
D697,344 S 1/2014 Kerian
D716,587 S 11/2014 Chang
D716,595 S 11/2014 Muller
D716,597 S 11/2014 Muller
D731,661 S * 6/2015 Cox D24/185
D734,066 S * 7/2015 Park D6/656.15
D736,393 S * 8/2015 Cox D24/185
2012/0240938 A1 9/2012 Pamichev

OTHER PUBLICATIONS

“St.Houzz” reference dated Jan. 5, 2015, found on the internet at http://st.houzz.com/simgs/3f41274c0301a480_4-6578/traditional-coffee-tables.jpg, 1 pg.

“Img2” reference dated Jan. 5, 2015, found on the internet at <http://img2.wfrcdn.com/lf/50/hash/15491/7440397/1/Creative-Images-International-Motion-Glass-Coffee-Table.jpg>, 1 pg.

* cited by examiner

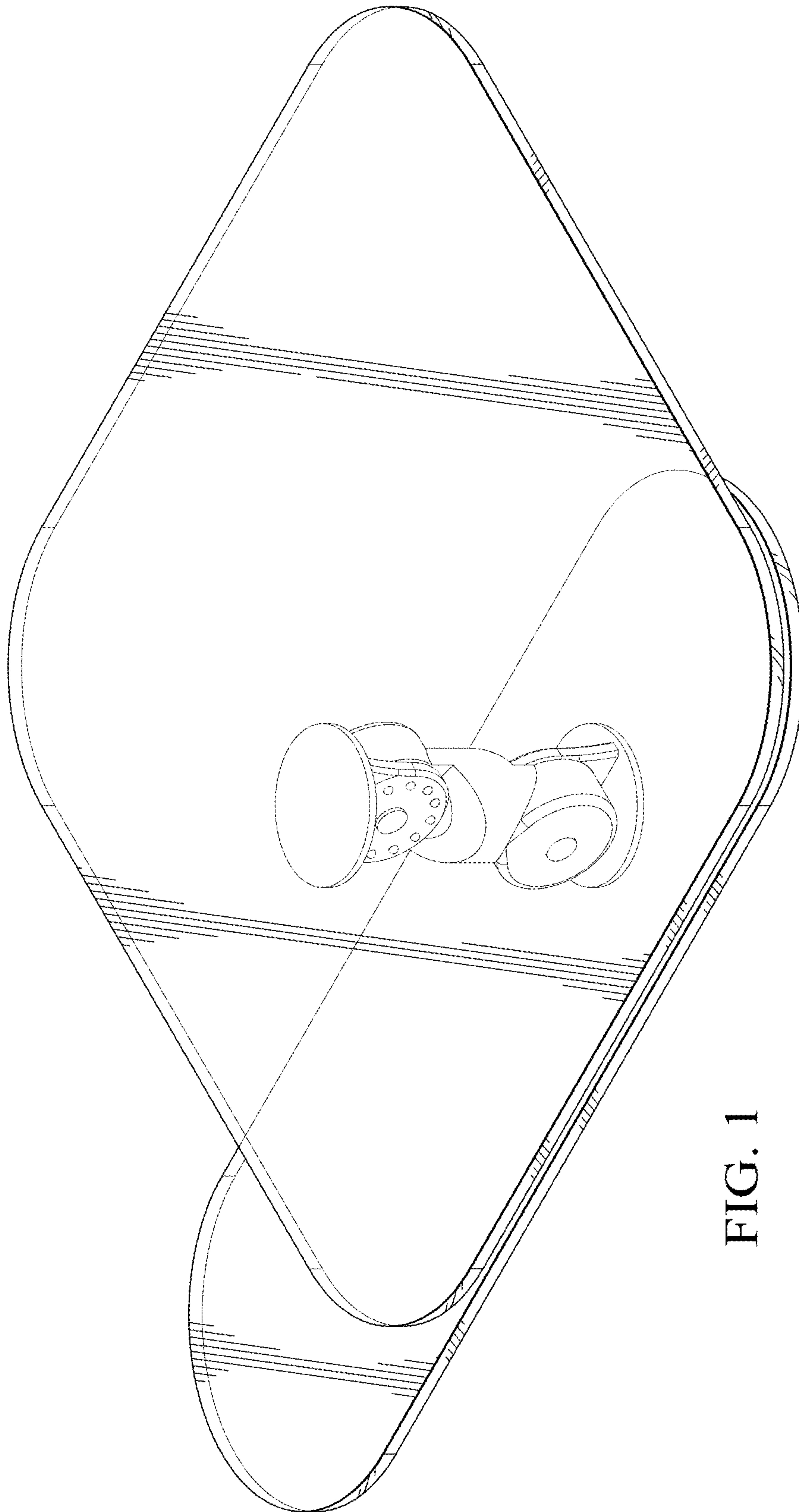


FIG. 1

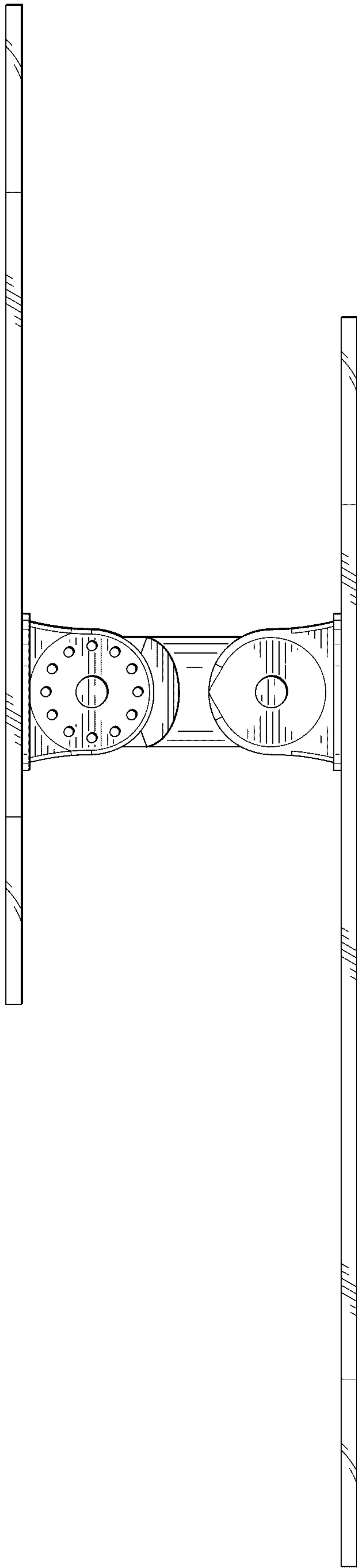


FIG. 2

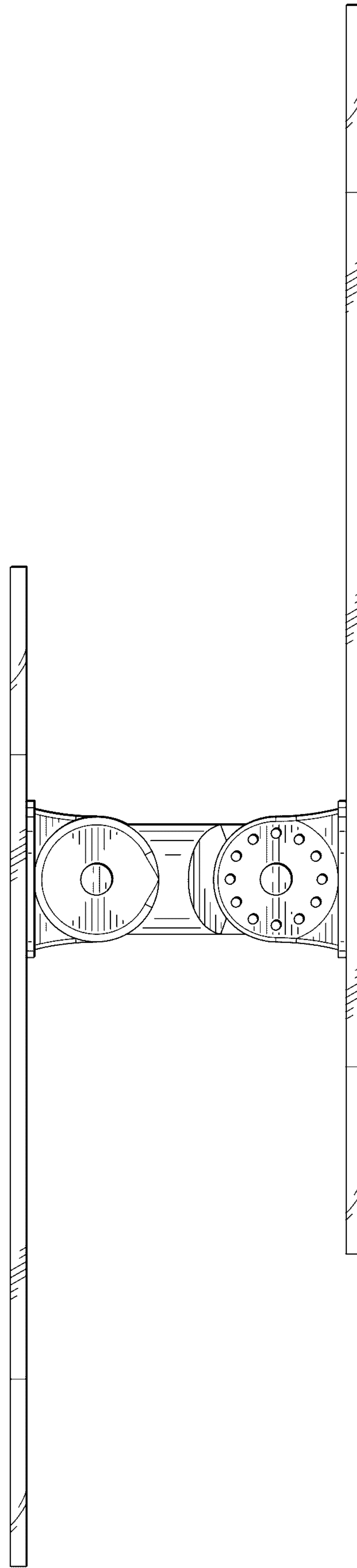


FIG. 3

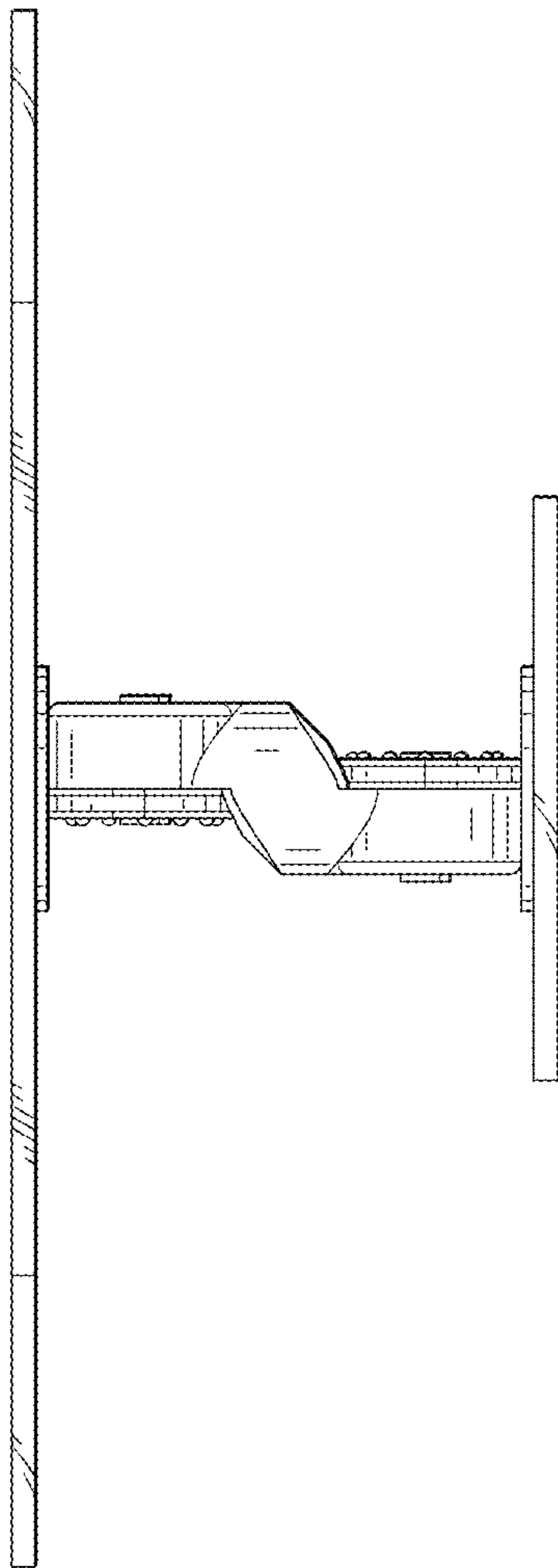


FIG. 4

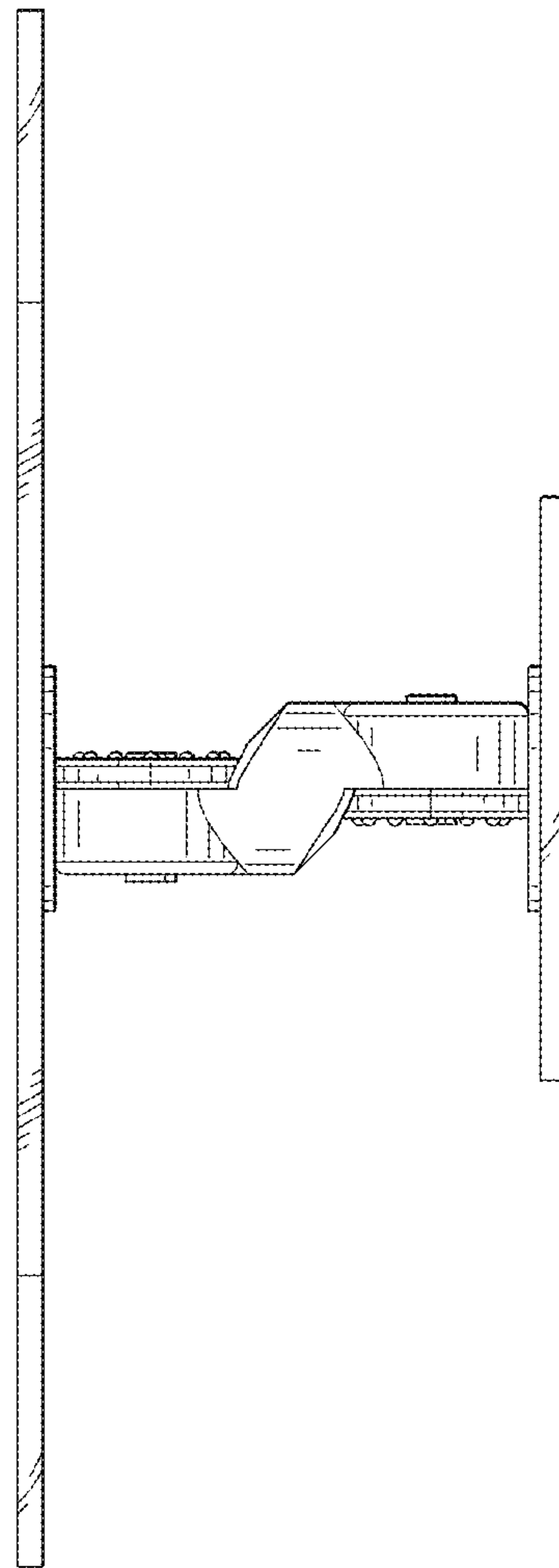


FIG. 5

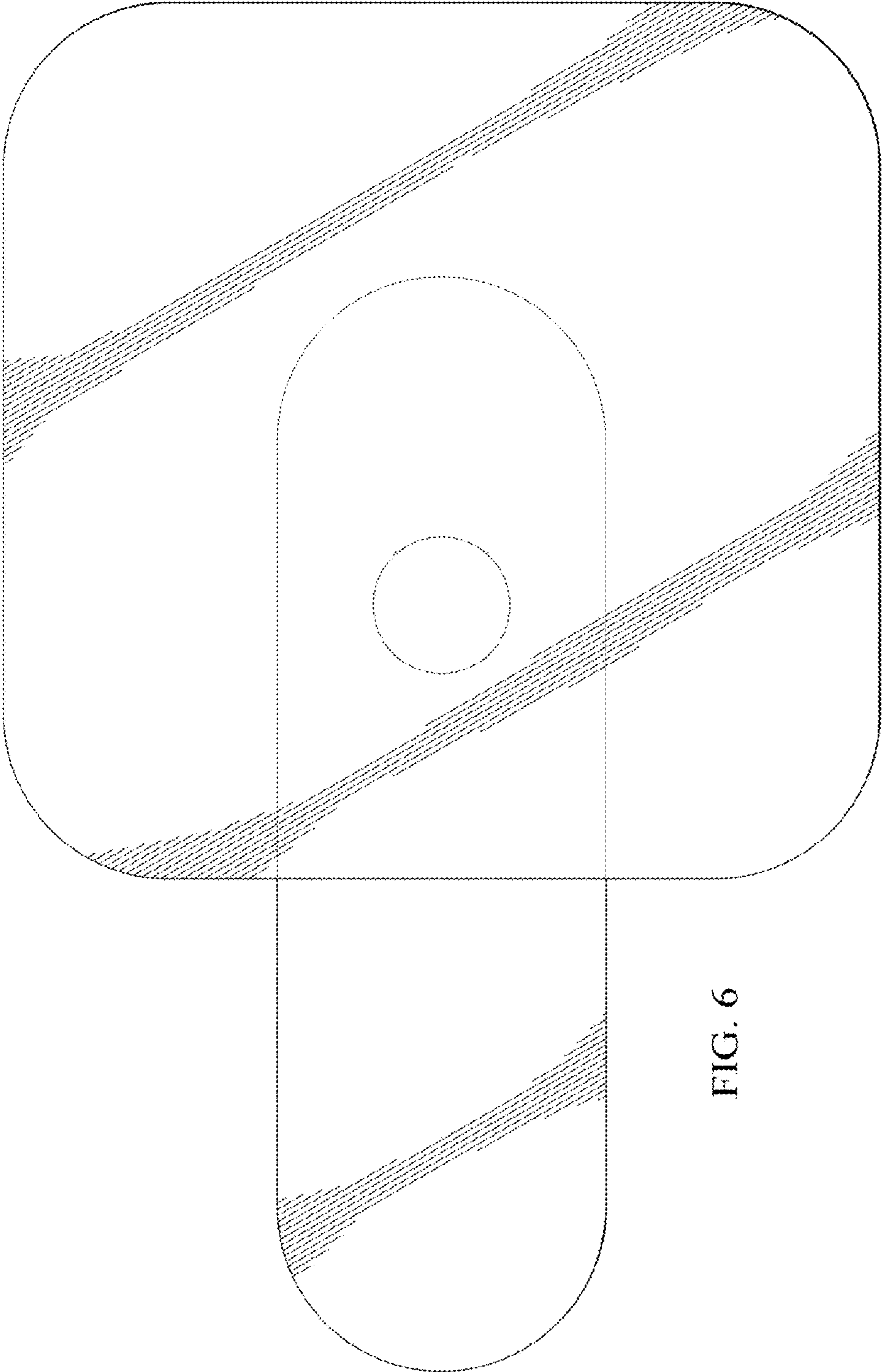


FIG. 6

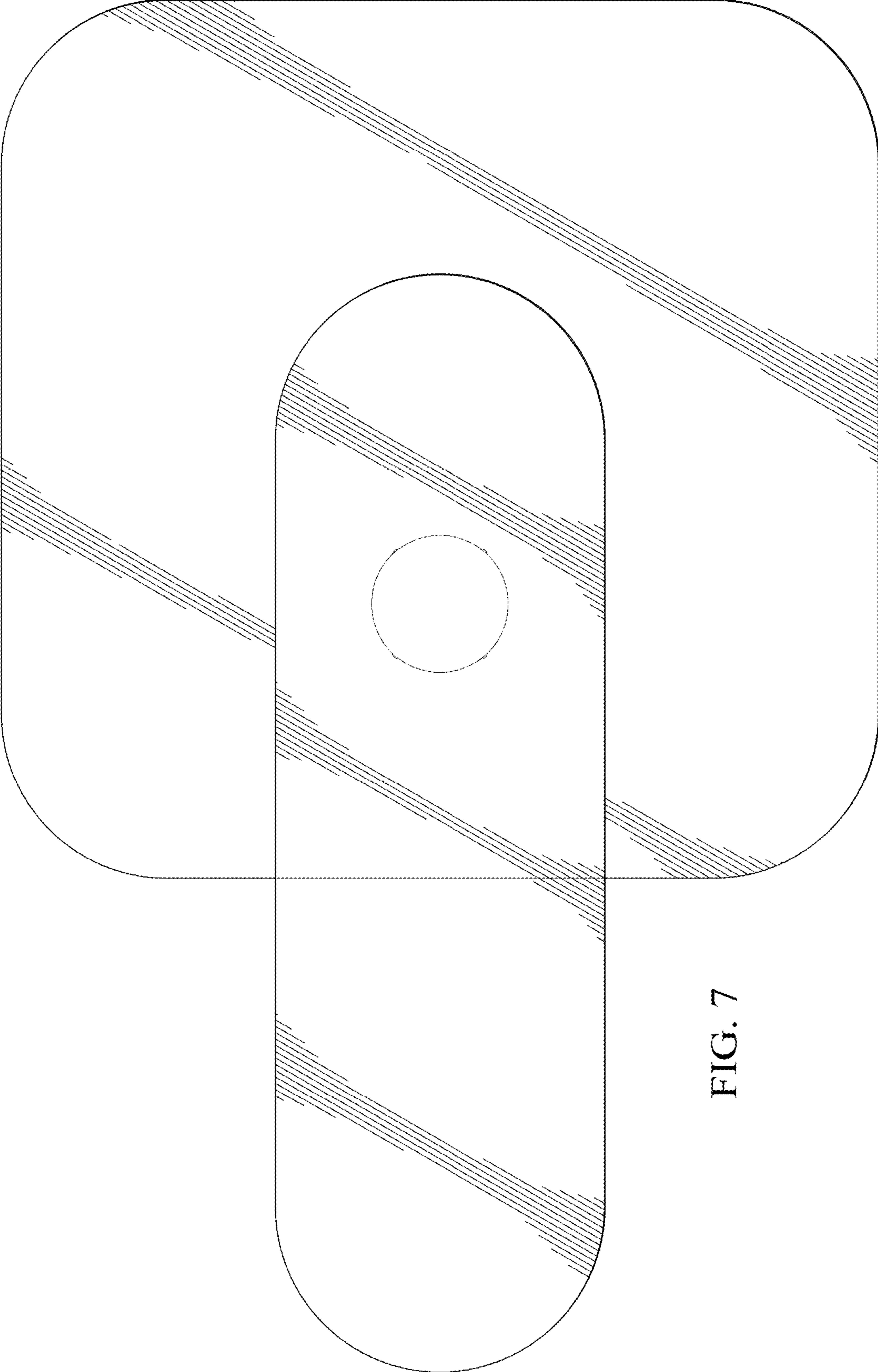


FIG. 7

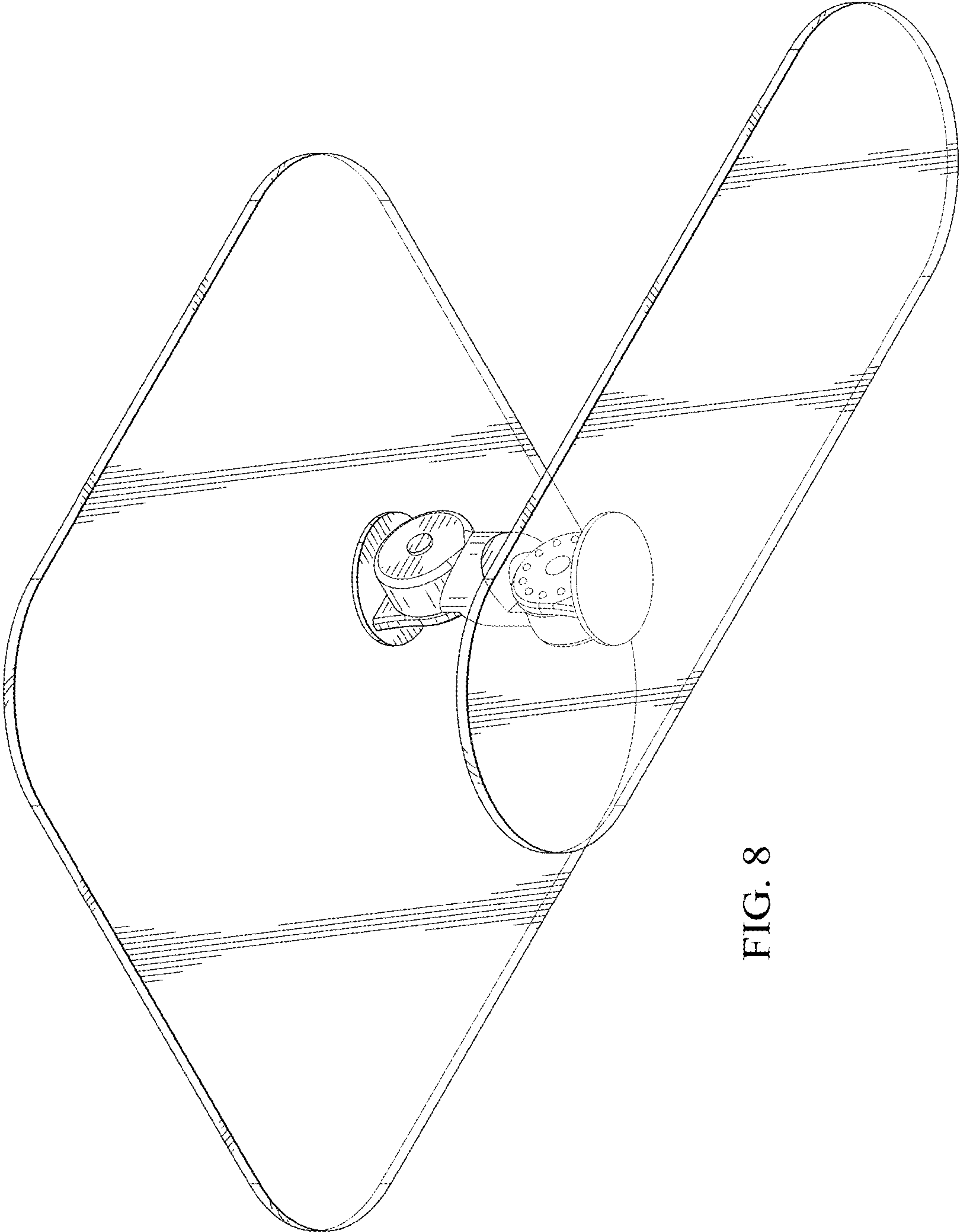


FIG. 8