



US00D774195S

(12) **United States Design Patent**
Ramos

(10) **Patent No.:** **US D774,195 S**

(45) **Date of Patent:** **** Dec. 13, 2016**

(54) **MEDICAL IMAGING SYSTEM TABLE**

(71) Applicant: **General Electric Company,**
Schenectady, NY (US)

(72) Inventor: **Ryan Jerome Ramos,** Waukesha, WI
(US)

(73) Assignee: **General Electric Company,**
Schenectady, NY (US)

(**) Term: **14 Years**

(21) Appl. No.: **29/491,766**

(22) Filed: **May 23, 2014**

Related U.S. Application Data

(63) Continuation-in-part of application No. 29/407,220,
filed on Nov. 23, 2011, now abandoned.

(51) **LOC (10) Cl.** **24-01**

(52) **U.S. Cl.**
USPC **D24/183**

(58) **Field of Classification Search**

USPC . D24/183-184, 200, 158-159; D6/382-383,
392; 5/600-619; 297/330, 297/423.19, 68;
128/845; 600/102; 601/24
CPC A61G 7/05; A61G 13/0009; A61G 7/02;
A61G 7/008; A61G 7/012; A61G 7/1021;
A61G 13/02; A61G 5/14; A61G 13/12;
A61B 6/04; A61B 19/26; A47D 15/008;
A47C 4/025; A61H 1/02

See application file for complete search history.

(56) **References Cited**

U.S. PATENT DOCUMENTS

3,980,288 A * 9/1976 Mitchell A61G 13/02
5/601
D246,880 S * 1/1978 Miola D24/183

D249,359 S * 9/1978 Stott D24/183
D260,172 S * 8/1981 Kyle D24/183
4,865,303 A * 9/1989 Hall A61G 13/02
5/614
D344,802 S * 3/1994 Kuck D24/183
D407,819 S * 4/1999 Markoll D24/183
D439,670 S * 3/2001 Sommer D24/183
D441,868 S * 5/2001 Rodenas Santiago D24/183
D453,968 S * 2/2002 Zachrisson D24/183
D462,445 S * 9/2002 Barde D24/183
D553,246 S * 10/2007 Banryu D24/183
D583,954 S * 12/2008 Genelli D24/183
D602,162 S * 10/2009 Albrecht D24/184

(Continued)

Primary Examiner — T. Chase Nelson

Assistant Examiner — Mark Cavanna

(74) *Attorney, Agent, or Firm* — Alleman Hall McCoy
Russell & Tuttle LLP

(57) **CLAIM**

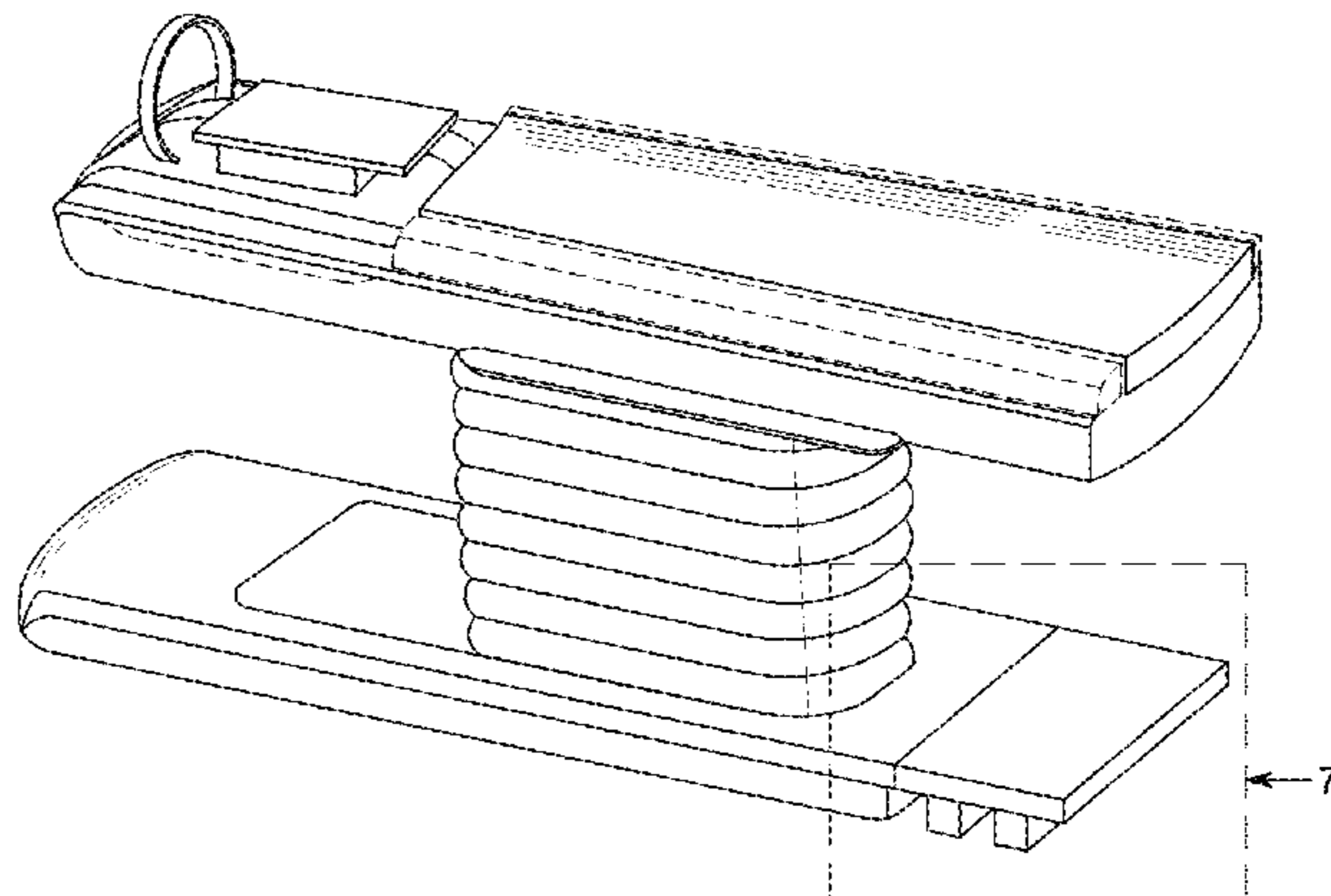
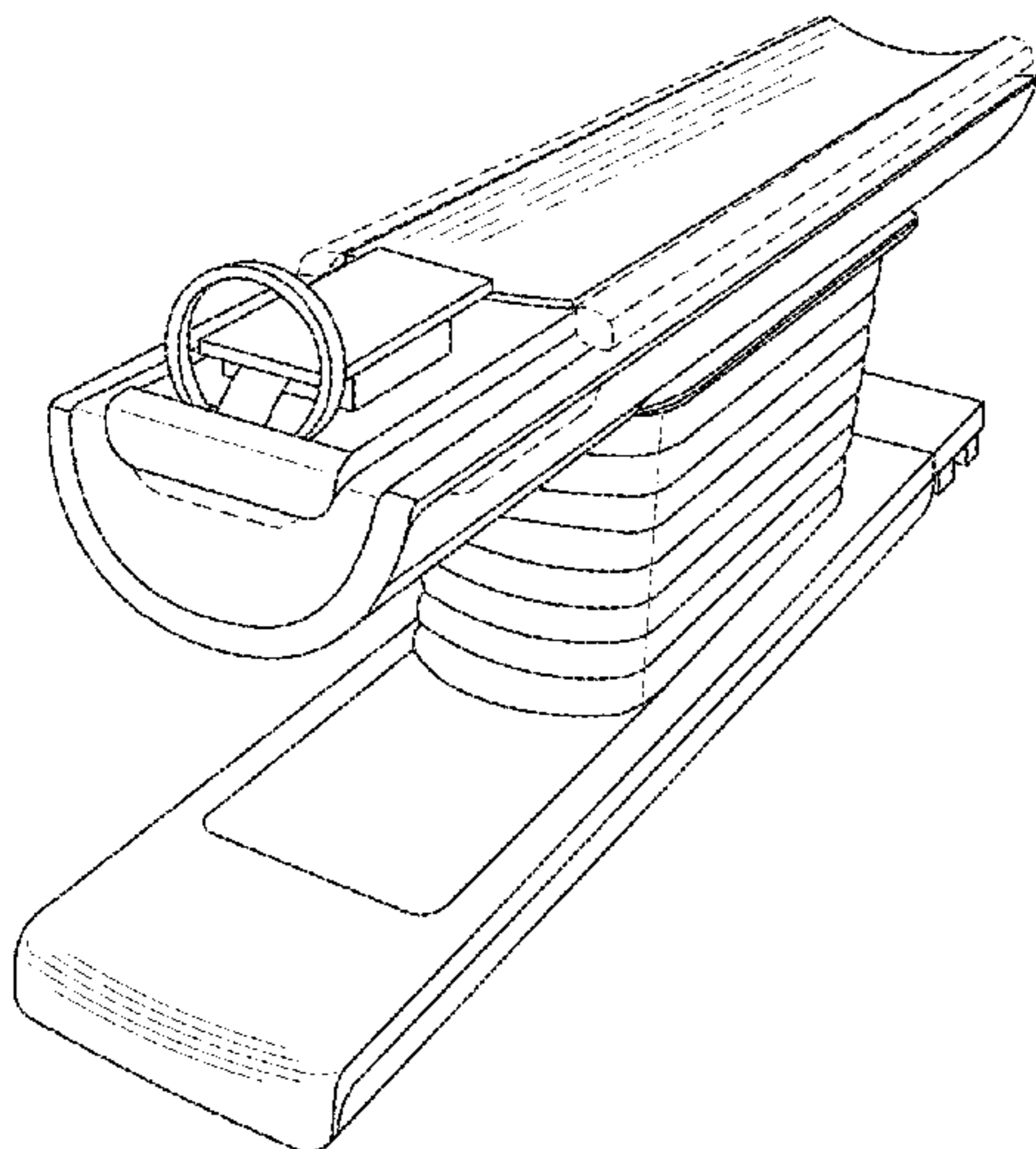
The ornamental design of a medical imaging system table,
as shown and described.

DESCRIPTION

FIG. 1 is a front perspective view of a medical imaging
system table showing my new design;
FIG. 2 is a side perspective view thereof;
FIG. 3 is another front perspective view thereof;
FIG. 4 is a side view thereof;
FIG. 5 is another end view thereof;
FIG. 6 is a rear perspective view thereof, having a broken
line square indicating the origin and location of FIG. 7; and,
FIG. 7 is close up view of a portion of the medical imaging
system table shown in FIG. 6.

The broken lines are included for the purpose of illustrating
portions of the medical imaging system table that form no
part of the claimed design, as well as boundaries of enlarged
views, which also form no part of the claimed design.

1 Claim, 7 Drawing Sheets



(56)

References Cited

U.S. PATENT DOCUMENTS

D604,422 S * 11/2009 Albrecht D24/183
2004/0148703 A1 * 8/2004 Doering A61G 13/02
5/610

* cited by examiner

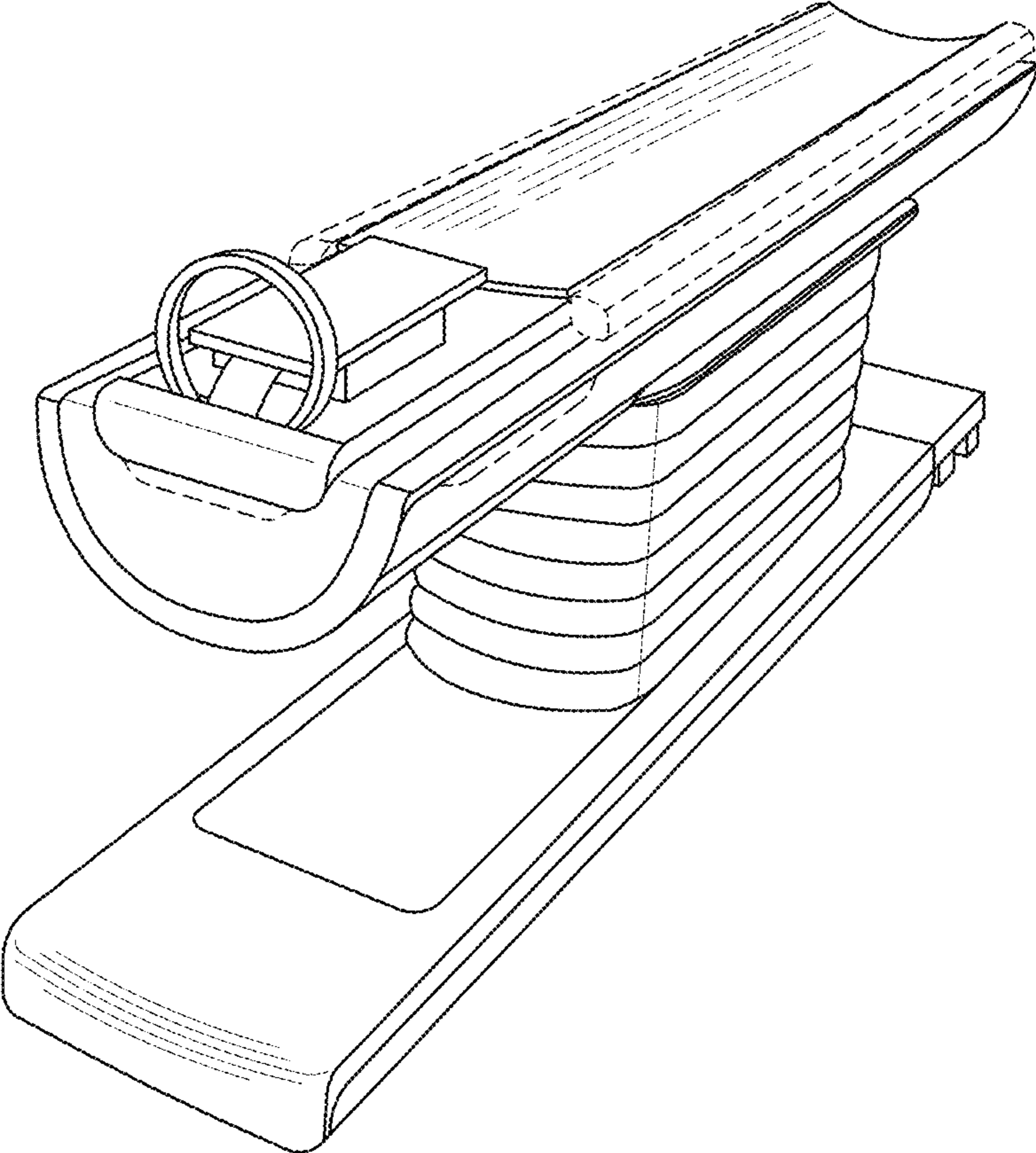


FIG. 1

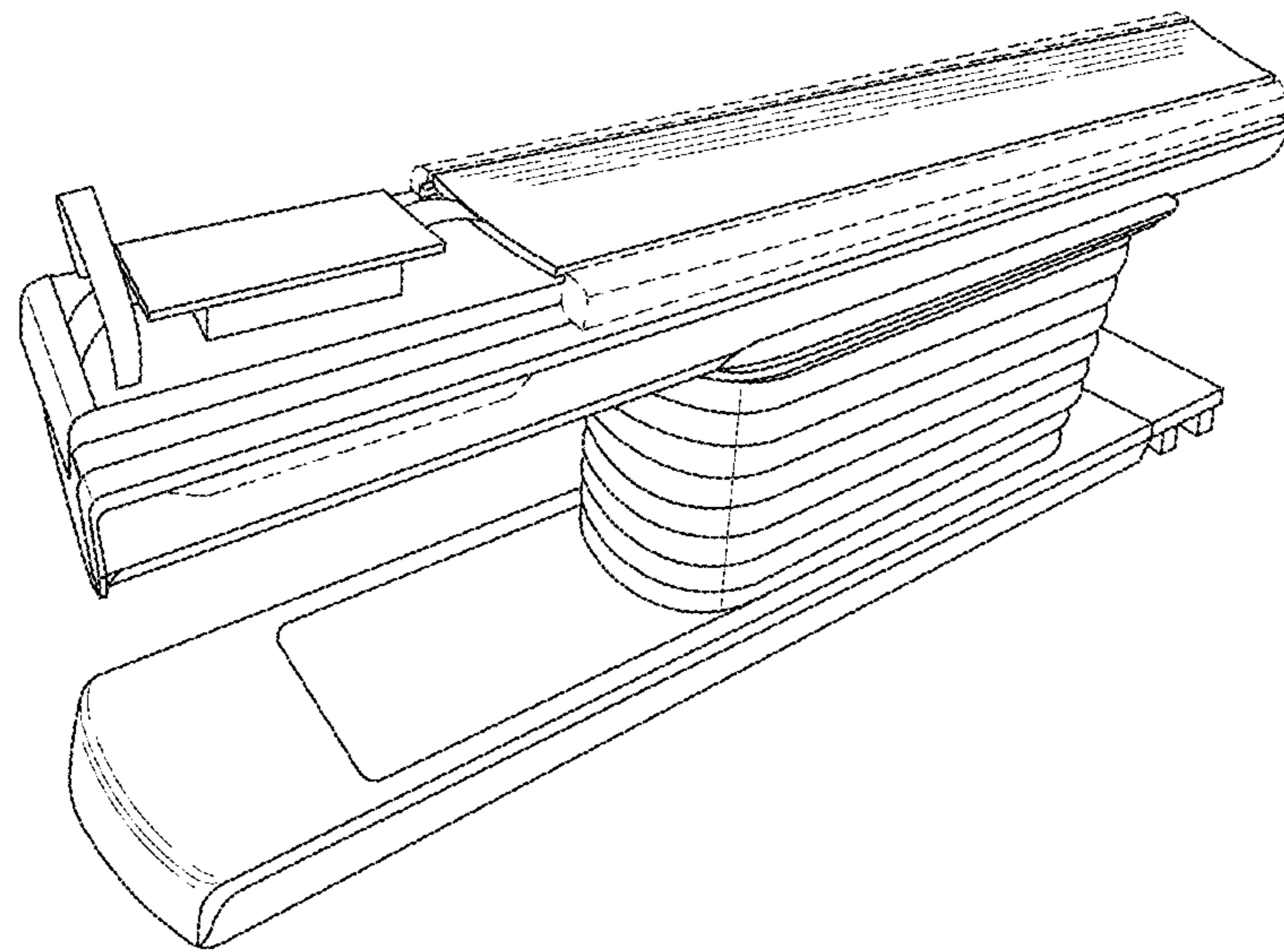


FIG. 2

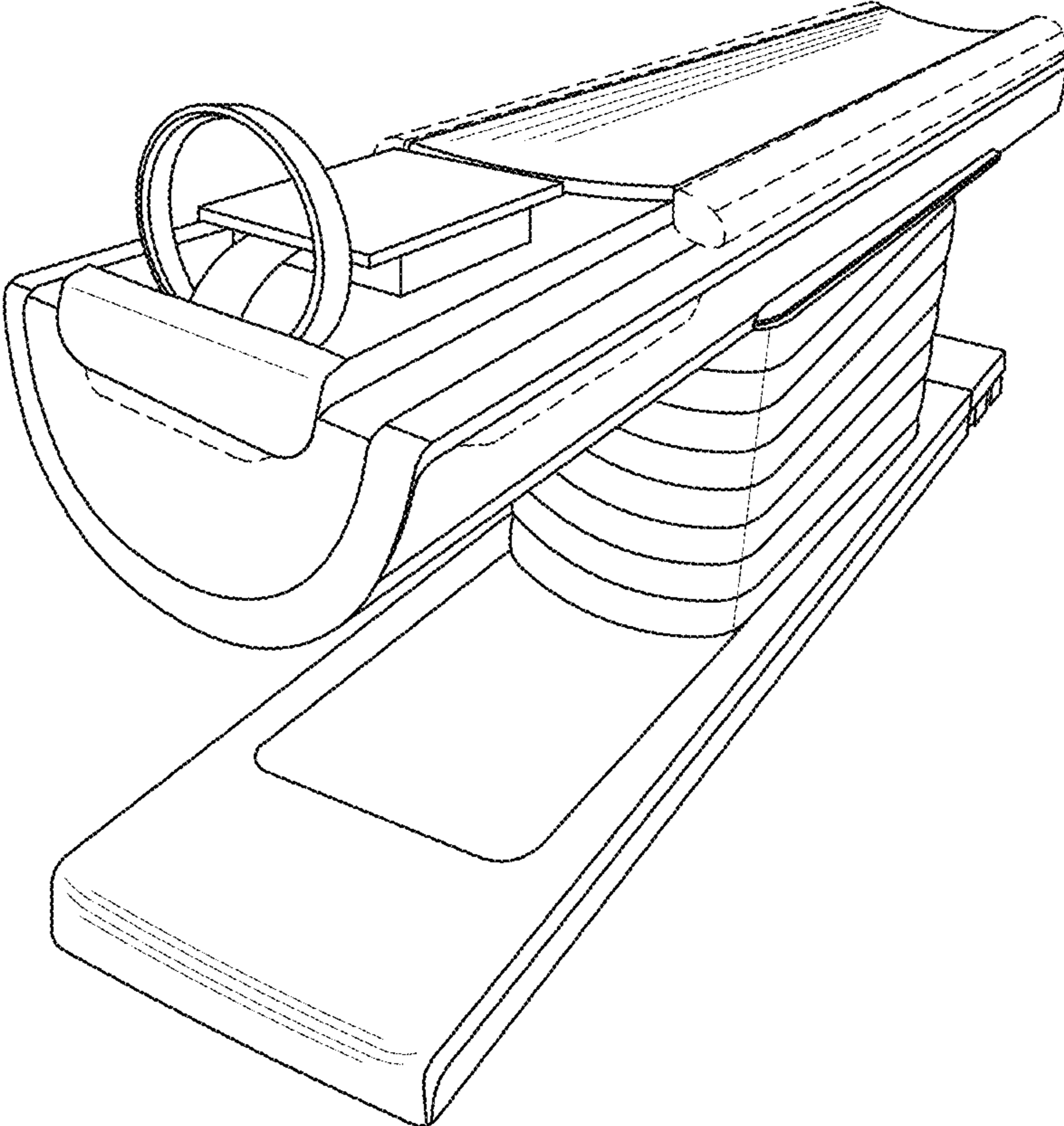


FIG. 3

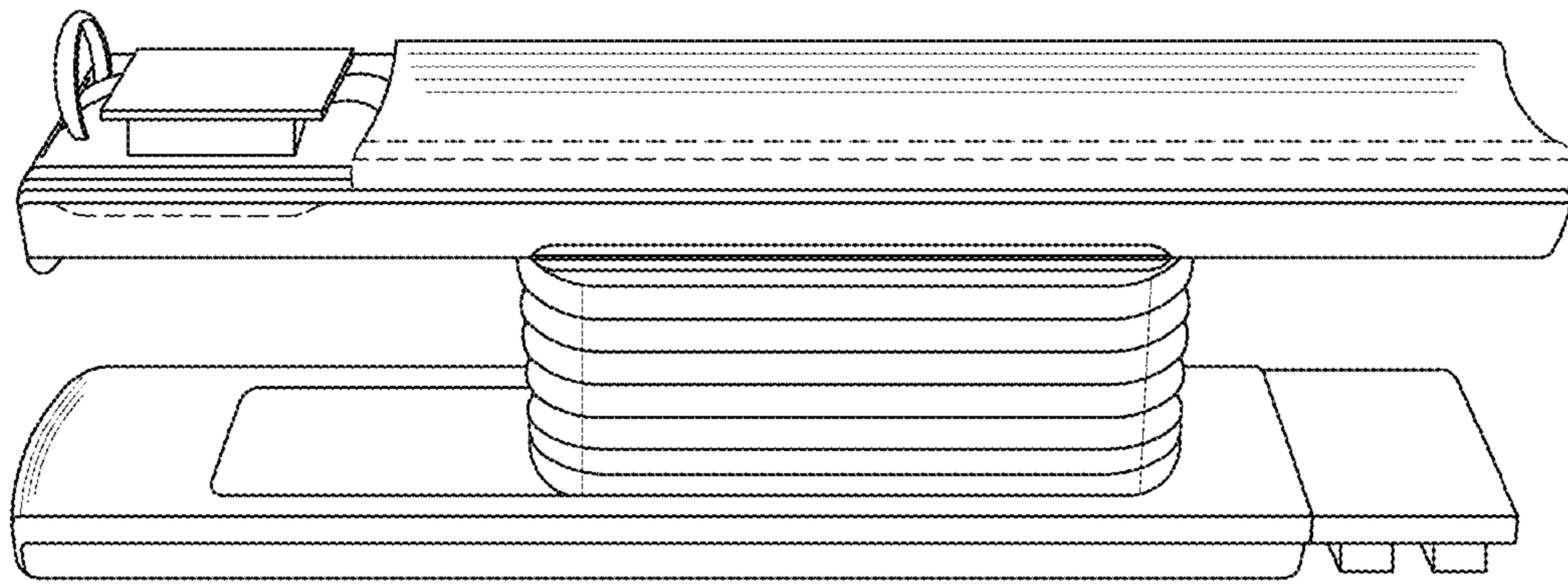


FIG. 4

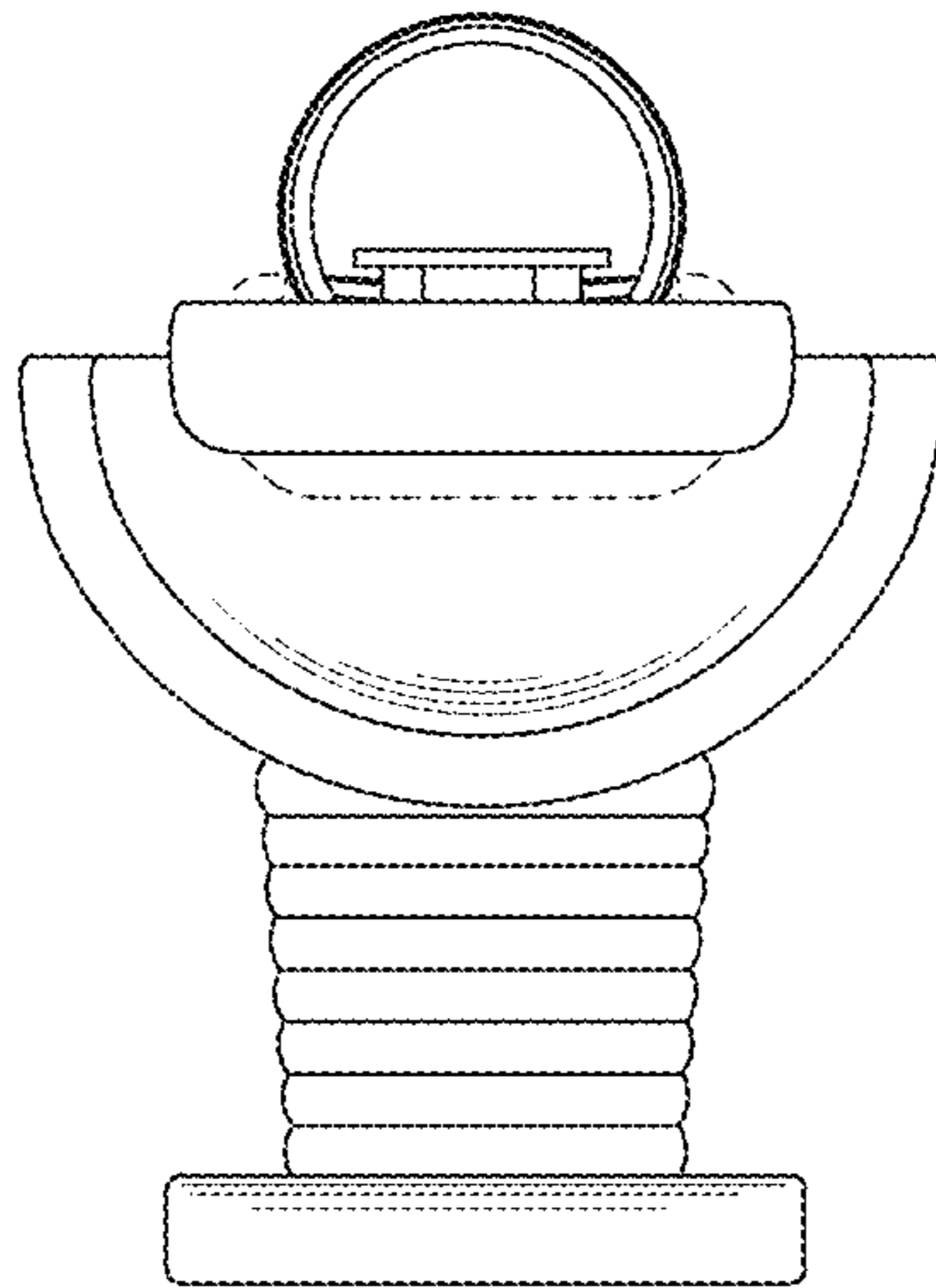


FIG. 5

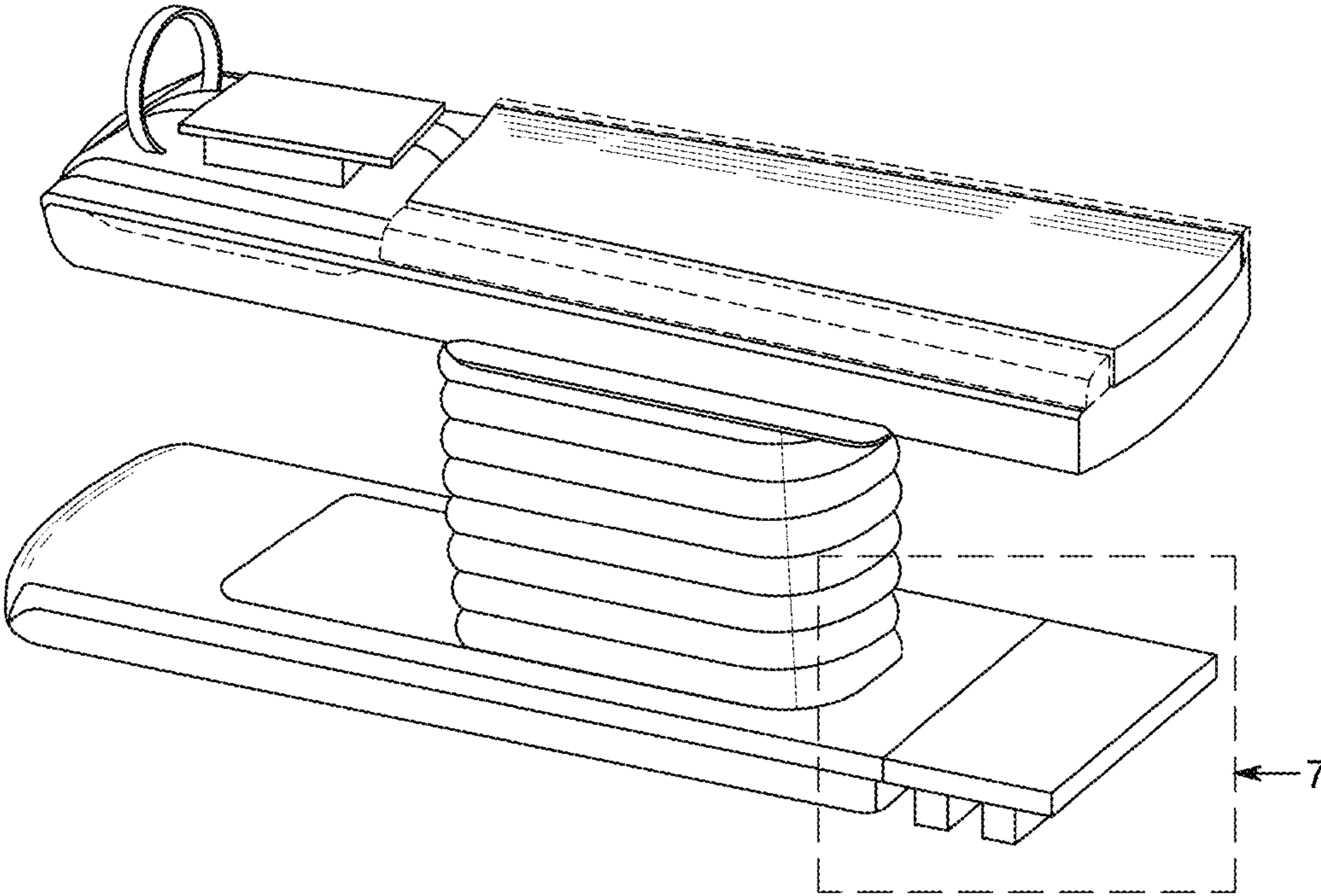


FIG. 6

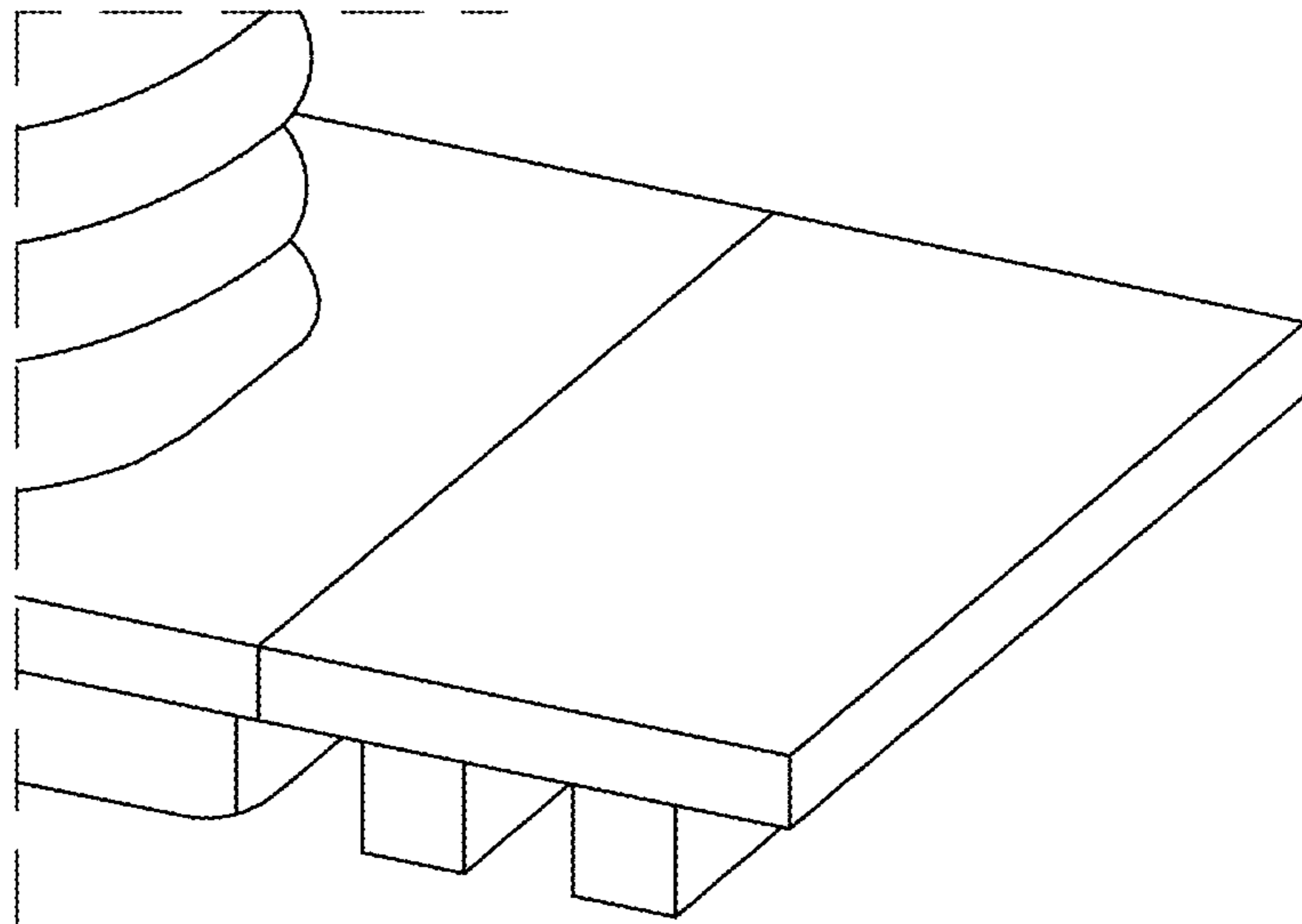


FIG. 7