



US00D774193S

(12) **United States Design Patent** (10) **Patent No.:** **US D774,193 S**
Makmel et al. (45) **Date of Patent:** **** Dec. 13, 2016**

(54) **SLEEVE FOR AN INTRAORAL SCANNER**

(71) Applicant: **Align Technology, Inc.**, San Jose, CA (US)

(72) Inventors: **Nir Makmel**, Tel Aviv (IL); **Rami Boltanski**, Kiryat Ono (IL)

(73) Assignee: **Align Technology, Inc.**, San Jose, CA (US)

(**) Term: **15 Years**

(21) Appl. No.: **29/537,271**

(22) Filed: **Aug. 24, 2015**

(51) **LOC (10) Cl.** **24-02**

(52) **U.S. Cl.**
USPC **D24/152**

(58) **Field of Classification Search**
USPC D24/158-161, 152, 176, 177, 186, D24/187, 128; D8/394
CPC ... G03B 42/025; G03B 42/042; A61B 6/4435; A61B 6/145; A61B 6/425; A61B 5/0088; A61B 1/00101; A61B 1/05
See application file for complete search history.

(56) **References Cited**

U.S. PATENT DOCUMENTS

- 5,482,047 A * 1/1996 Nordgren A61B 8/06 174/263
- 6,019,721 A * 2/2000 Holmes A61B 1/00188 433/29
- D558,345 S * 12/2007 Witt D24/152

- D630,747 S * 1/2011 Shinohara D24/137
- D722,164 S * 2/2015 Graham, II D24/152
- D742,518 S * 11/2015 Barak D24/176
- D742,531 S * 11/2015 Pippel D24/187
- 2013/0034825 A1 * 2/2013 Phillips A61B 1/00016 433/29
- 2015/0079535 A1 3/2015 Hollenbeck et al.
- 2015/0208910 A1 * 7/2015 Wang A61B 1/00016 433/29

* cited by examiner

Primary Examiner — Anhdao Doan

(74) *Attorney, Agent, or Firm* — Lowenstein Sandler LLP

(57) **CLAIM**

The ornamental design for a sleeve for an intraoral scanner, as shown and described.

DESCRIPTION

FIG. 1 is a bottom perspective view of a sleeve for an intraoral scanner showing one embodiment of our new design.

FIG. 2 is a top perspective view thereof.

FIG. 3 is a front view thereof.

FIG. 4 is a rear view thereof.

FIG. 5 is a first side view thereof.

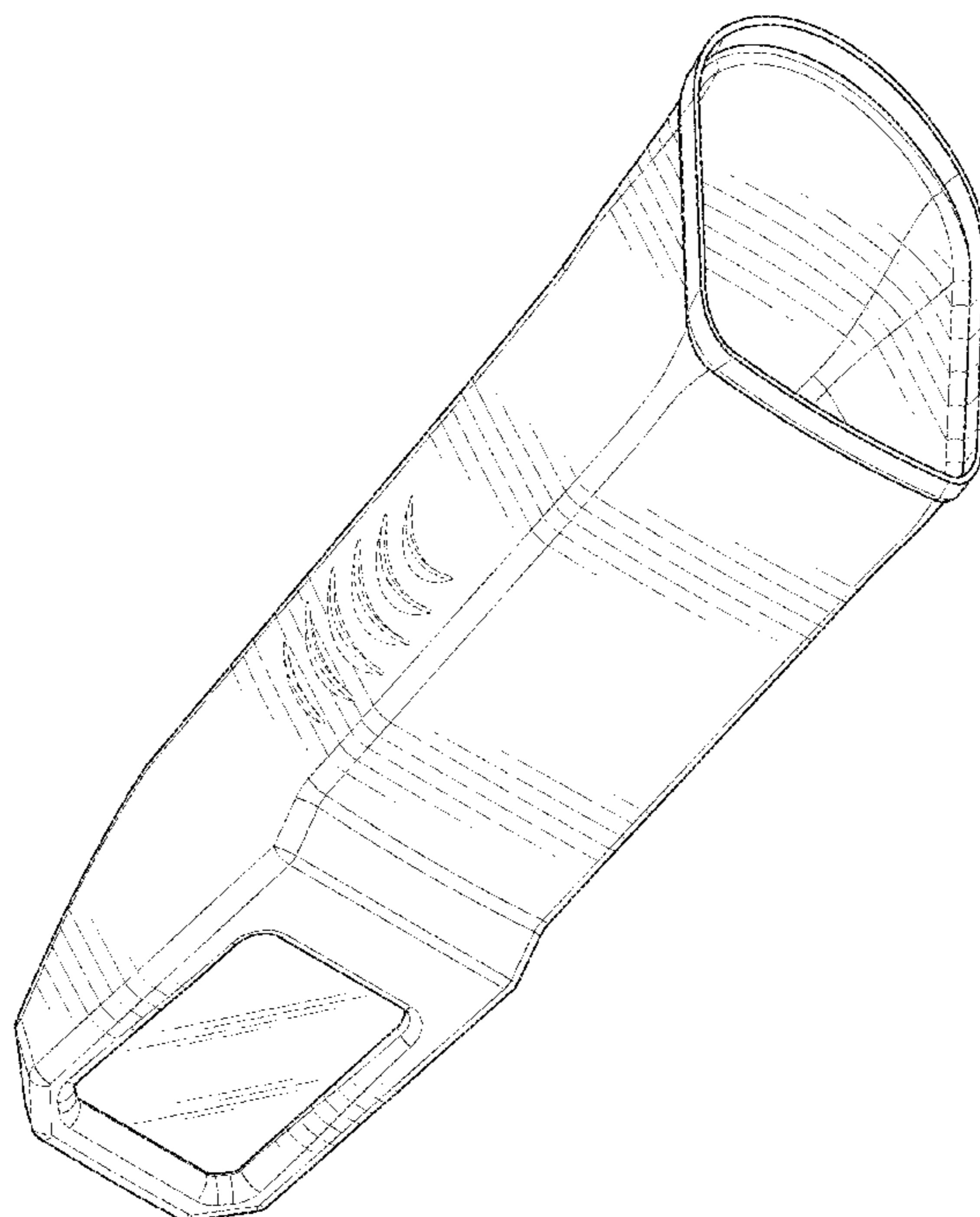
FIG. 6 is a second side view thereof.

FIG. 7 is a top view thereof; and,

FIG. 8 is a bottom view thereof.

The broken lines immediately adjacent the shaded areas represent the bounds of the claim, while all other broken lines are directed to environment and are for illustrative purposes only; the broken lines form no part of the claimed design.

1 Claim, 8 Drawing Sheets



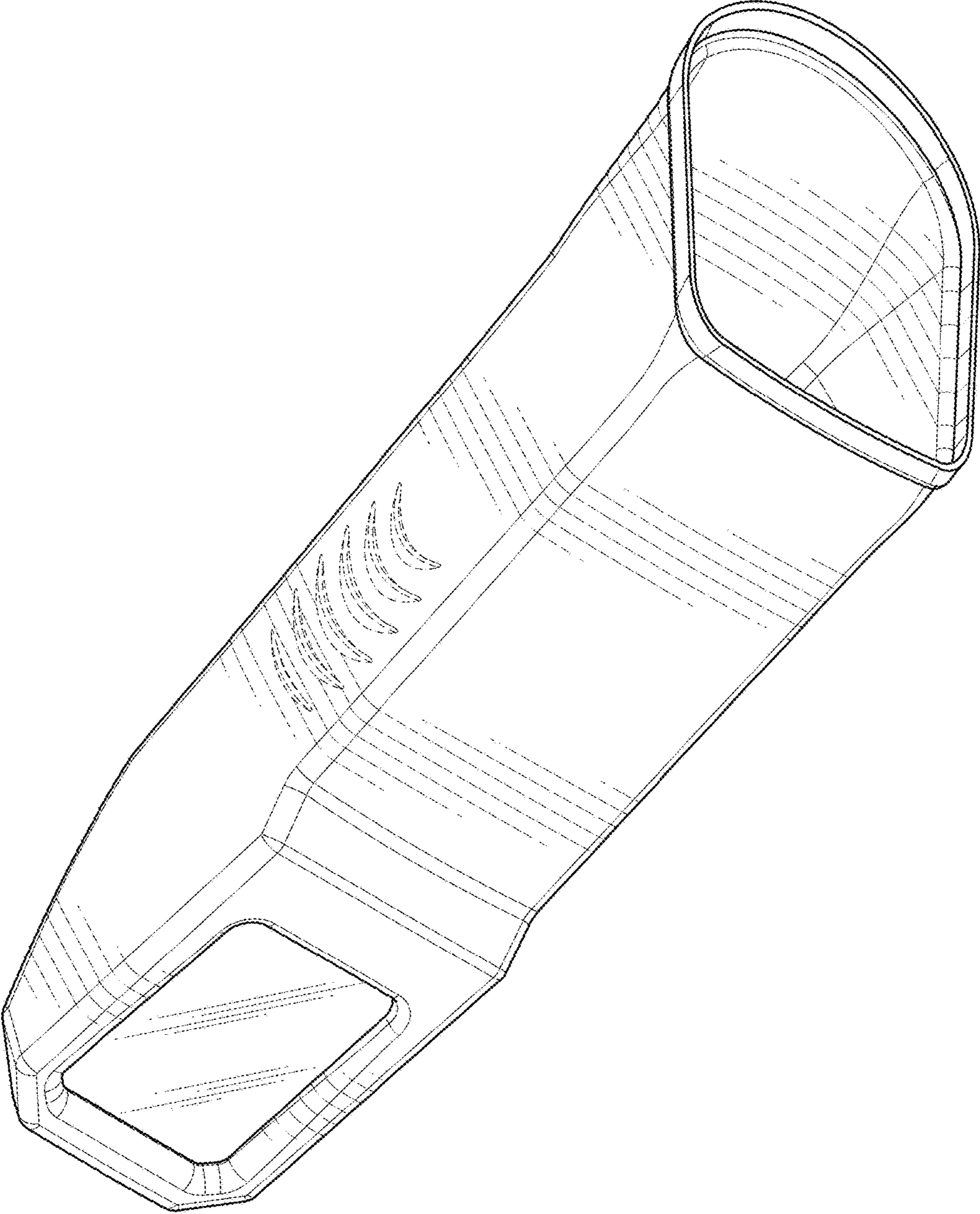


Fig. 1

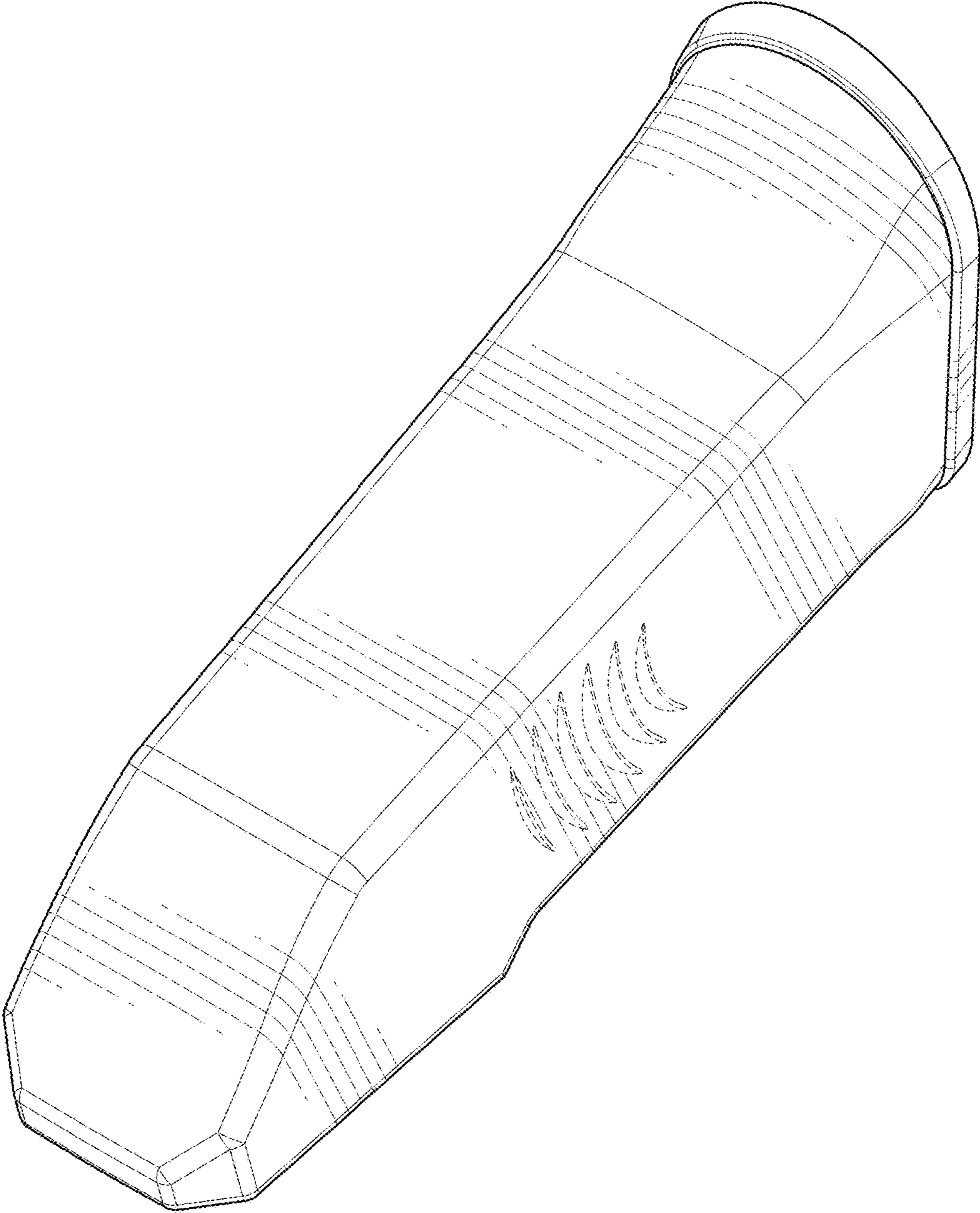


Fig. 2

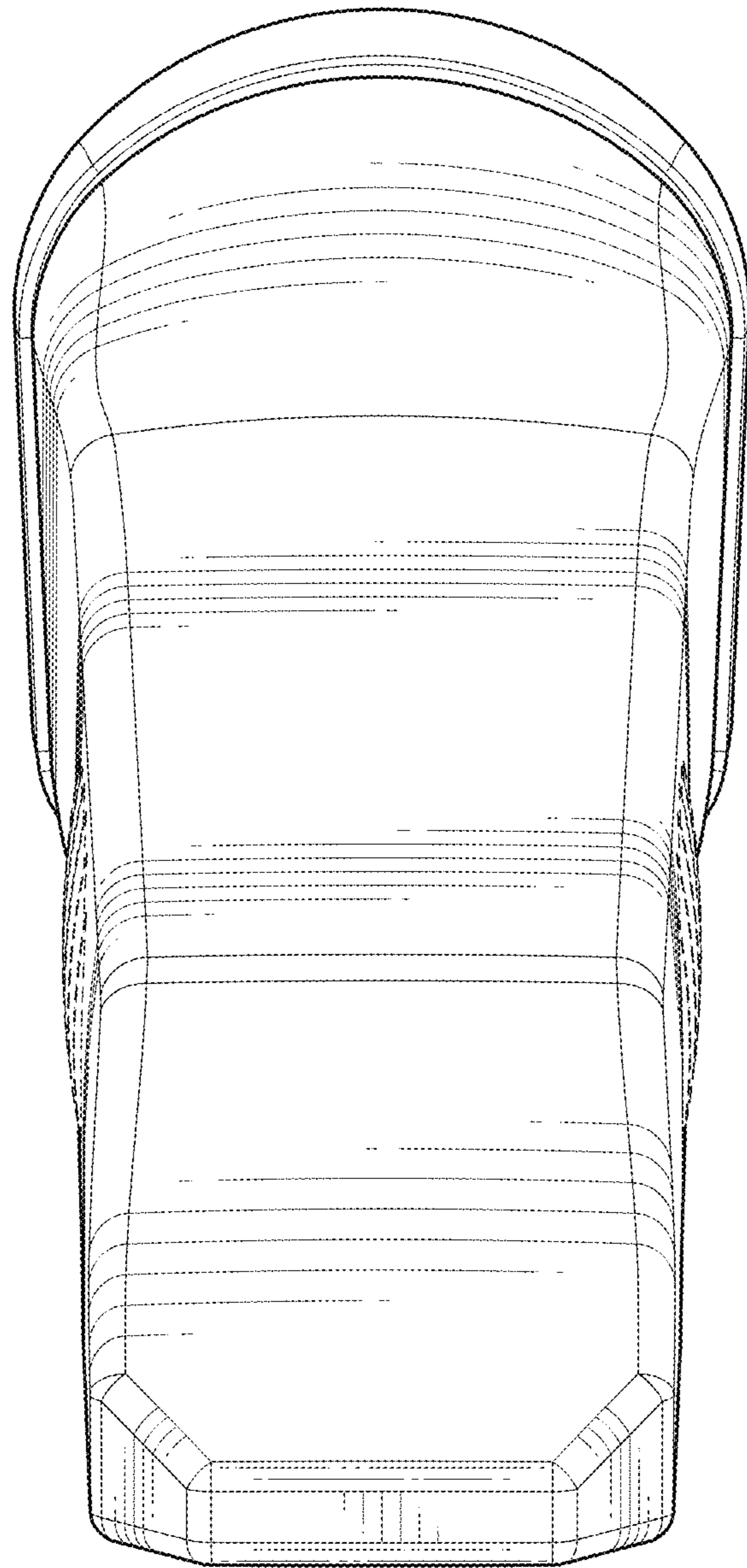


Fig. 3

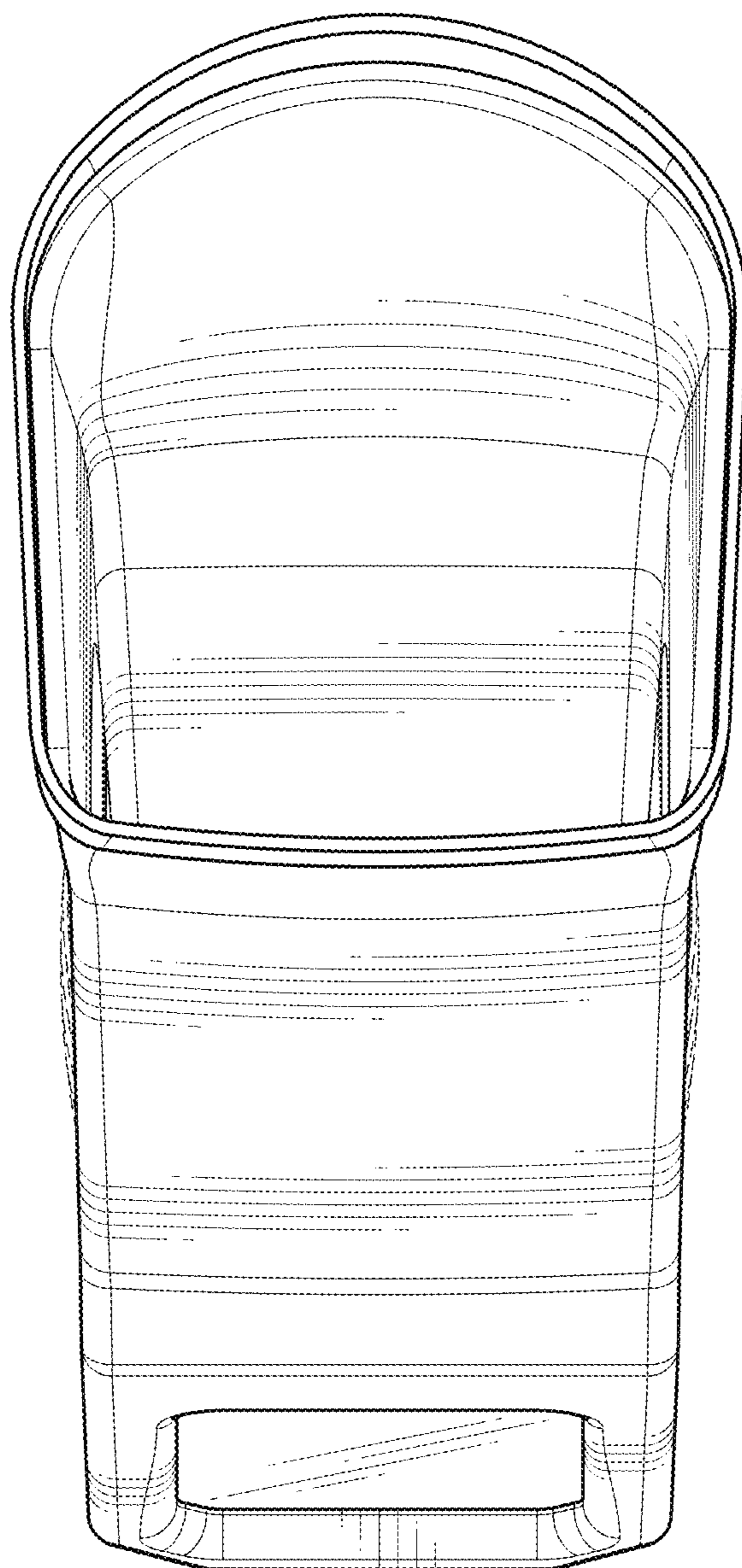


Fig. 4

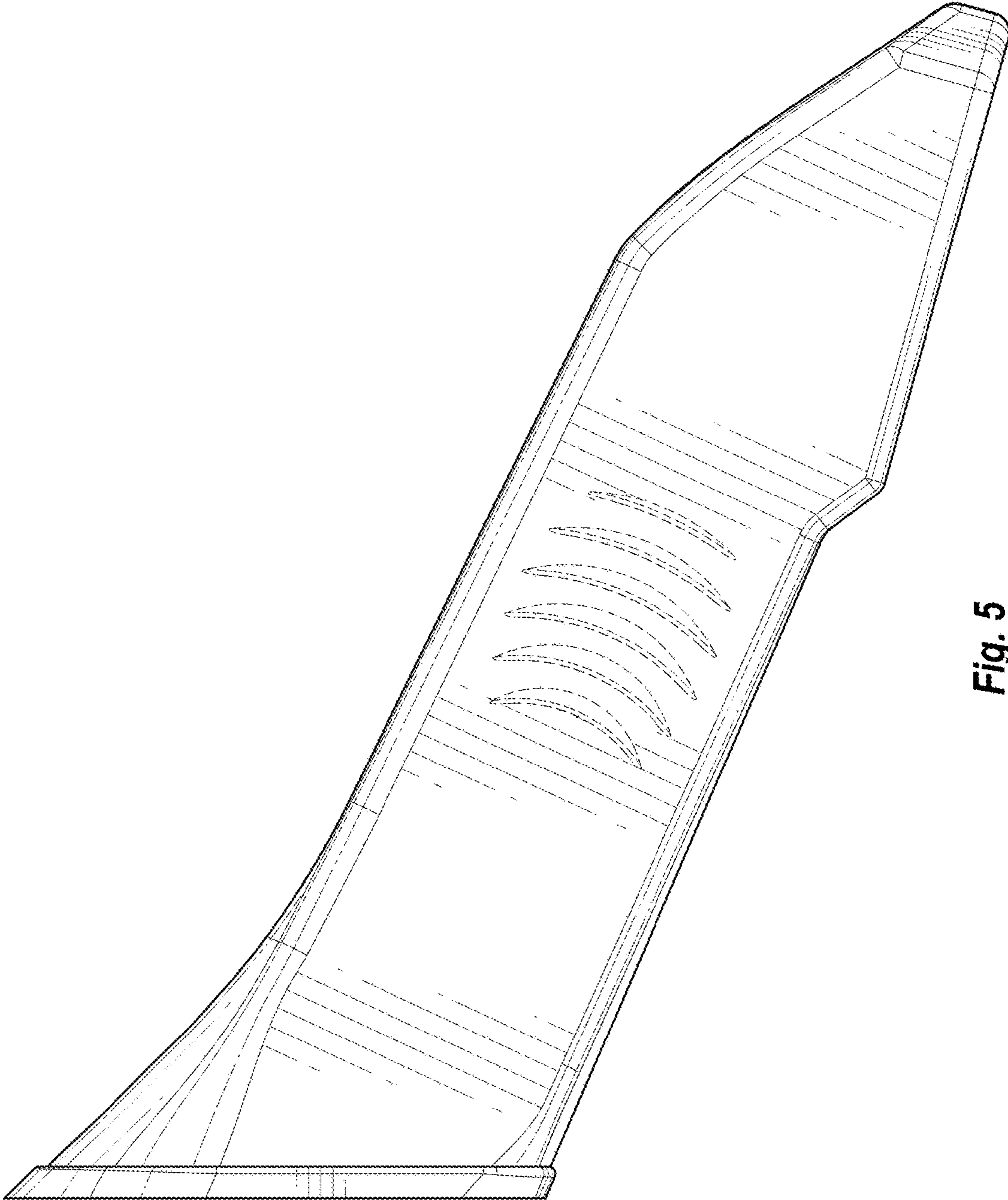


Fig. 5

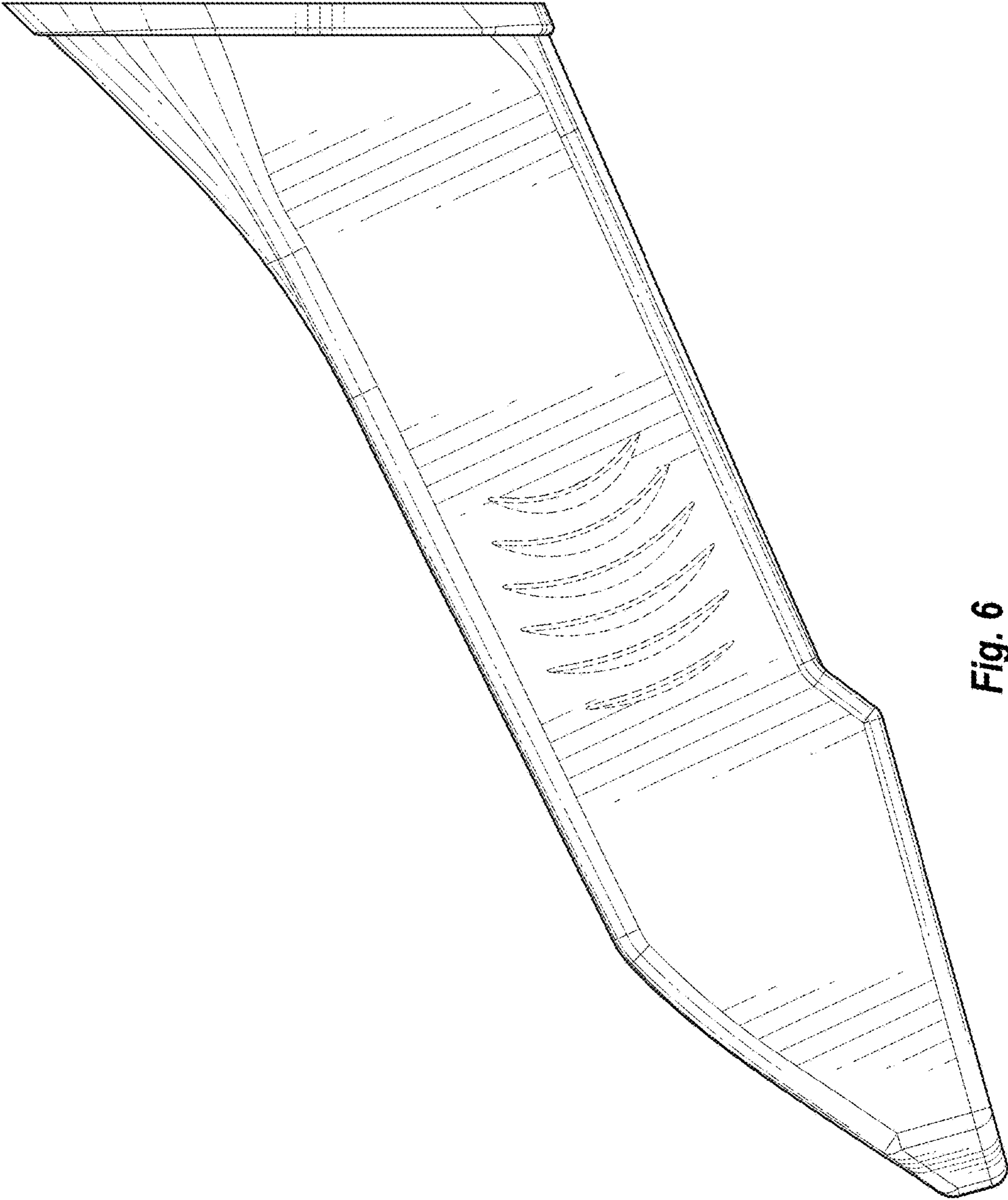


Fig. 6

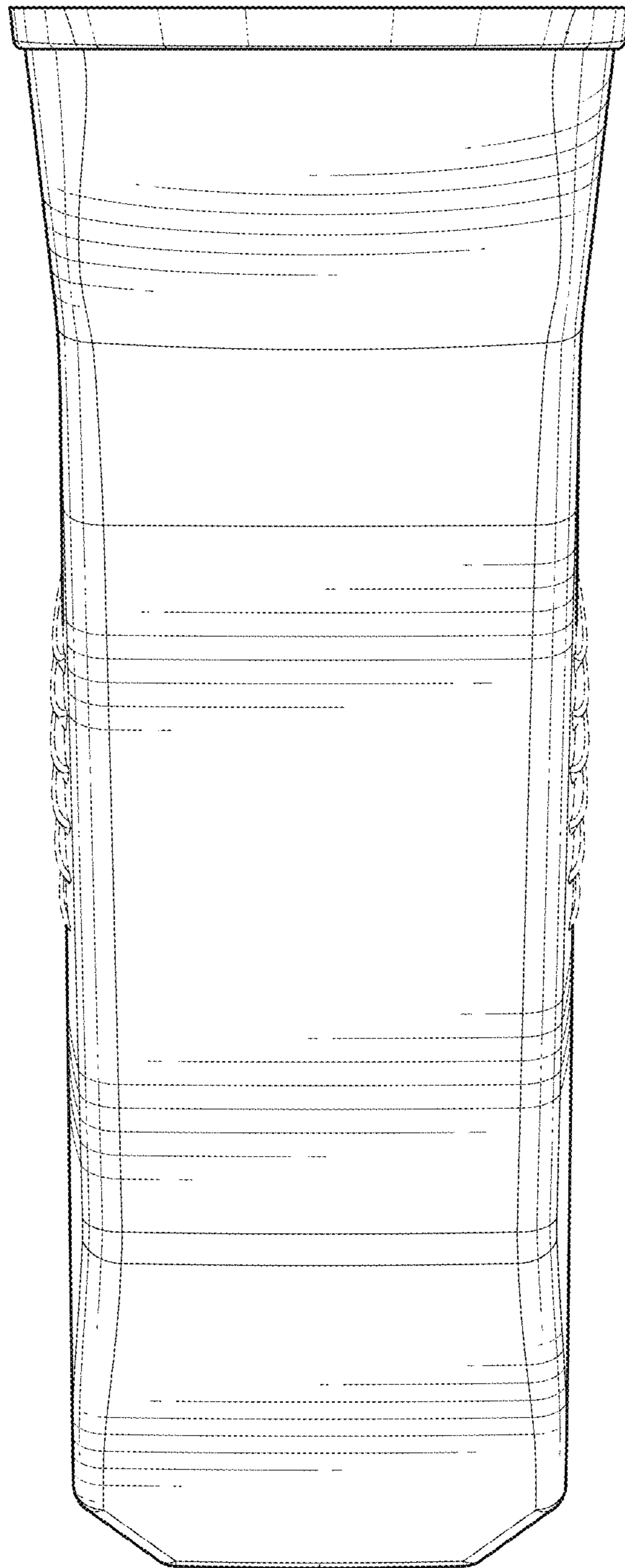


Fig. 7

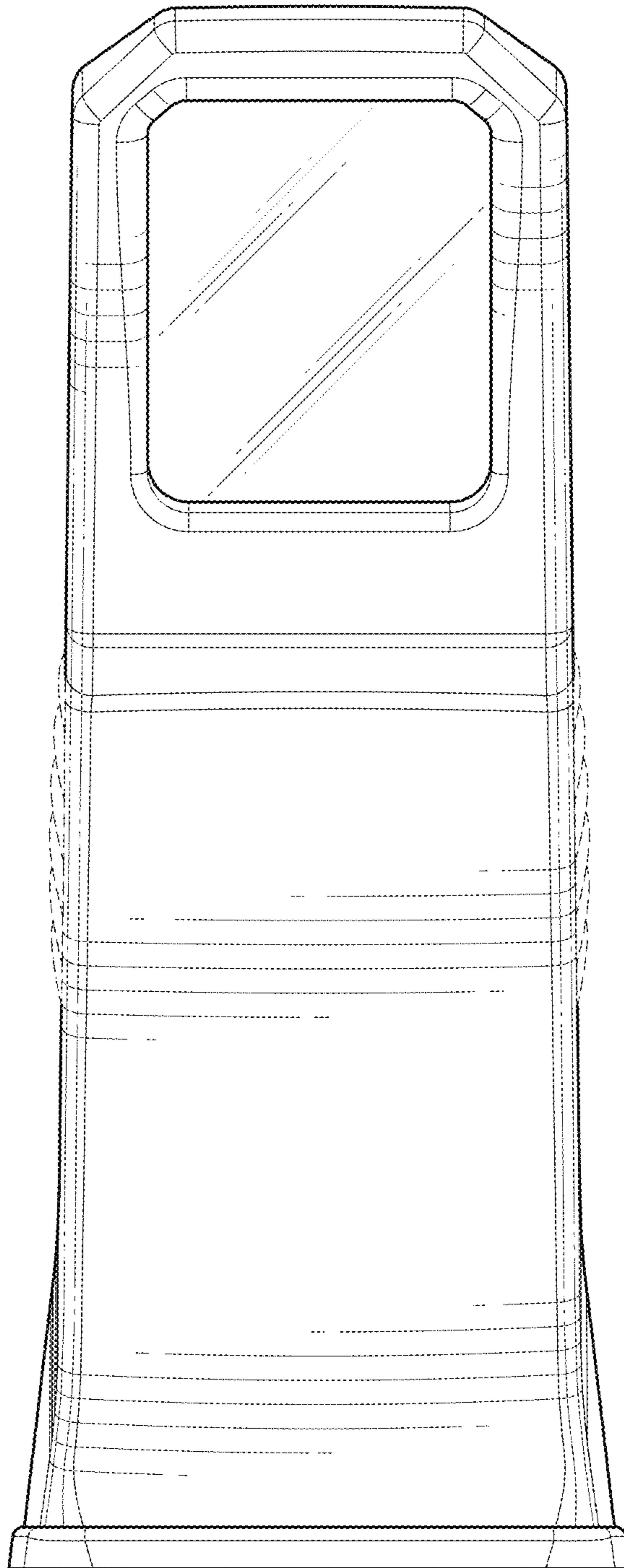


Fig. 8