



US00D774192S

(12) **United States Design Patent** (10) **Patent No.:** **US D774,192 S**  
**Fuchs** (45) **Date of Patent:** **\*\* Dec. 13, 2016**

(54) **TROCAR**  
(71) Applicant: **Karl Storz GmbH & Co. KG,**  
Tuttlingen (DE)  
(72) Inventor: **Alexander Fuchs,** Steisslingen (DE)  
(73) Assignee: **Karl Storz GmbH & Co. KG,**  
Tuttlingen (DE)  
(\*\*) Term: **15 Years**

D736,924	S	*	8/2015	Oberlaender	.....	D24/146
D740,420	S	*	10/2015	Spycher	.....	D24/146
D757,266	S	*	5/2016	Teufel	.....	D24/146
D759,246	S	*	6/2016	Allen	.....	D24/146
D761,961	S	*	7/2016	Tan	.....	D24/143
2002/0042606	A1		4/2002	Castaneda et al.		
2005/0273132	A1		12/2005	Shluzas et al.		
2007/0162066	A1		7/2007	Lyon		
2008/0234550	A1		9/2008	Hawkes et al.		
2008/0242930	A1		10/2008	Hanypsiak et al.		
2012/0010471	A1		1/2012	Mire et al.		
2013/0030457	A1		1/2013	Tan et al.		

(21) Appl. No.: **29/530,474**

(22) Filed: **Jun. 17, 2015**

(30) **Foreign Application Priority Data**

Dec. 19, 2014 (EM) ..... 002601666-0001

(51) **LOC (10) Cl.** ..... **24-02**

(52) **U.S. Cl.**  
USPC ..... **D24/146**

(58) **Field of Classification Search**  
USPC ..... D7/649; D8/93, 97, 300, 310, 311, 313;  
D19/110, 115; D24/146, 147, 148  
See application file for complete search history.

(56) **References Cited**

**U.S. PATENT DOCUMENTS**

1,798,124	A		3/1931	Nunn		
3,570,498	A	*	3/1971	Weighton	.....	A61B 17/3415 600/205
5,505,689	A		4/1996	Kramer et al.		
5,941,819	A		8/1999	Chin		
D434,148	S	*	11/2000	Sauer	.....	D24/140
D538,429	S	*	3/2007	Wolf	.....	D24/108
D605,765	S	*	12/2009	Gaab	.....	D24/146
D619,716	S	*	7/2010	Wagner	.....	D24/147
8,298,185	B2	*	10/2012	Worrel	.....	A61B 17/3417 604/164.01
D736,373	S	*	8/2015	Weishaupt	.....	D24/146

**FOREIGN PATENT DOCUMENTS**

DE	102009014525	A1	9/2010
WO	2010136805	A1	12/2010

\* cited by examiner

*Primary Examiner* — Ian Simmons

*Assistant Examiner* — Samantha Q Lawrence

(74) *Attorney, Agent, or Firm* — Whitmyer IP Group LLC

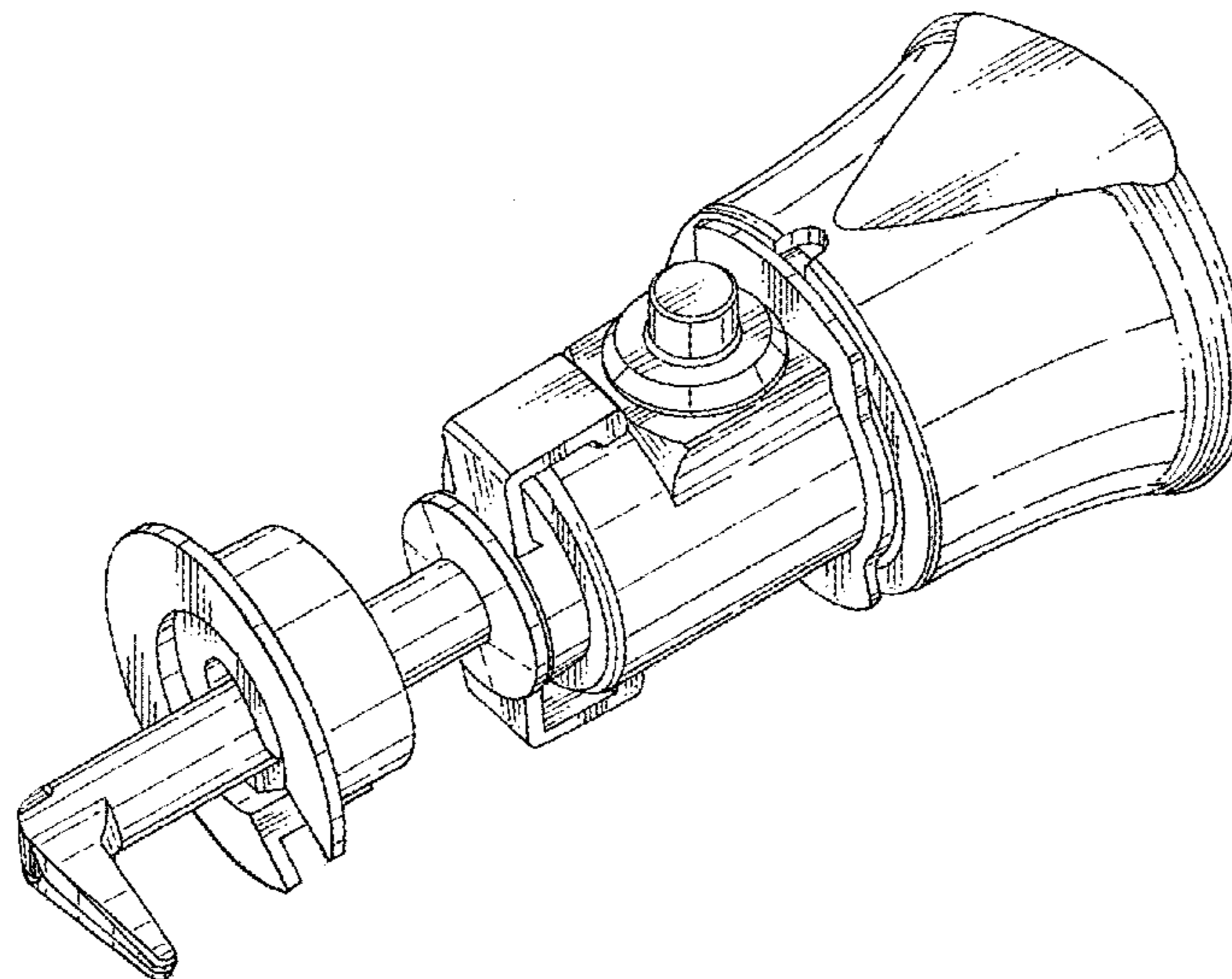
(57) **CLAIM**

The ornamental design for a trocar, as shown and described.

**DESCRIPTION**

FIG. 1 is a front left isometric view of a trocar in accordance with the new design;  
FIG. 2 is a top plan view thereof;  
FIG. 3 is a left side elevational view thereof;  
FIG. 4 is a bottom plan view thereof;  
FIG. 5 is a right side elevational view thereof;  
FIG. 6 is a front elevational view thereof; and,  
FIG. 7 is a rear elevational view thereof.  
The broken lines shown in FIG. 4 illustrate portions of the trocar that form no part of the claimed design.

**1 Claim, 7 Drawing Sheets**



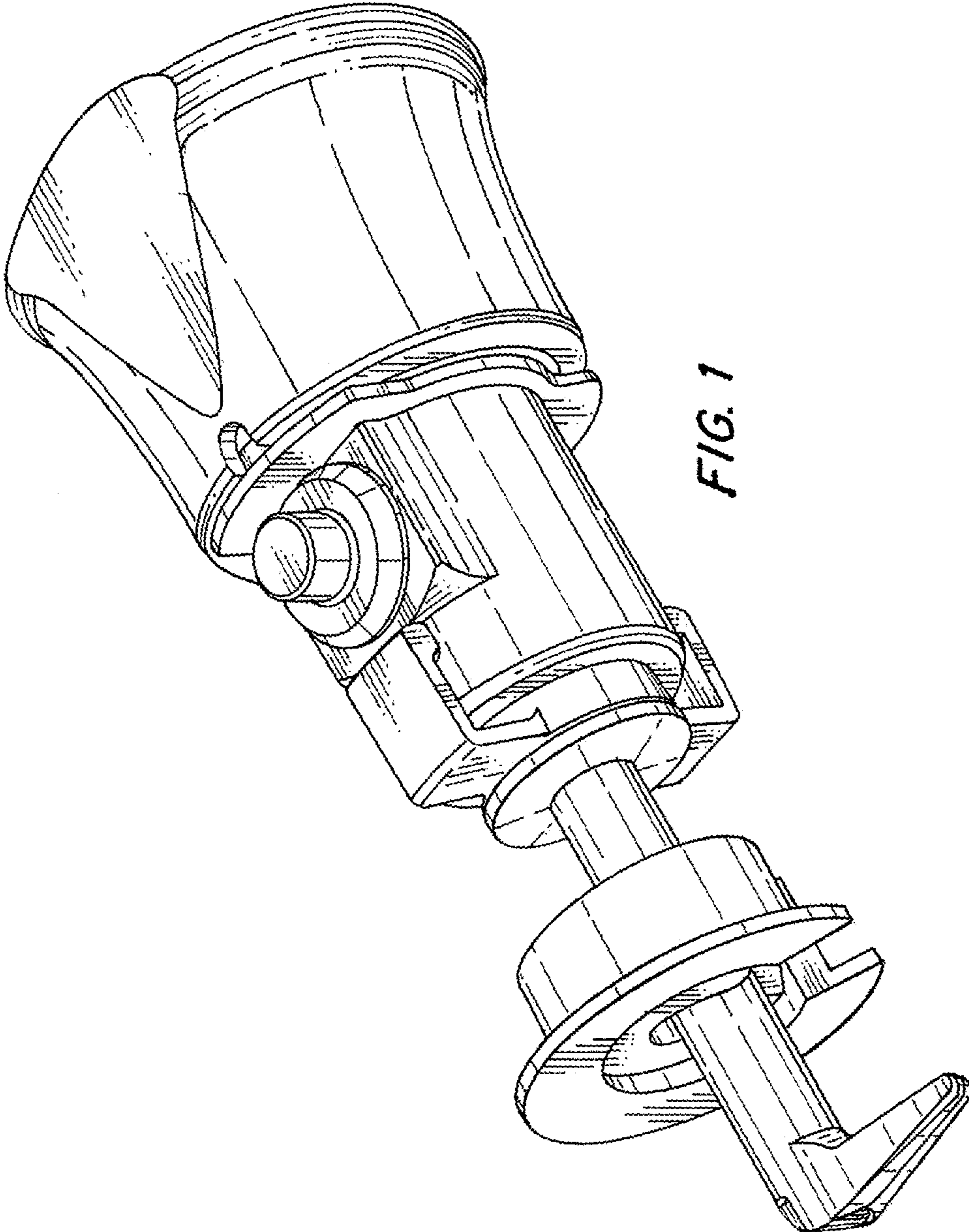


FIG. 1

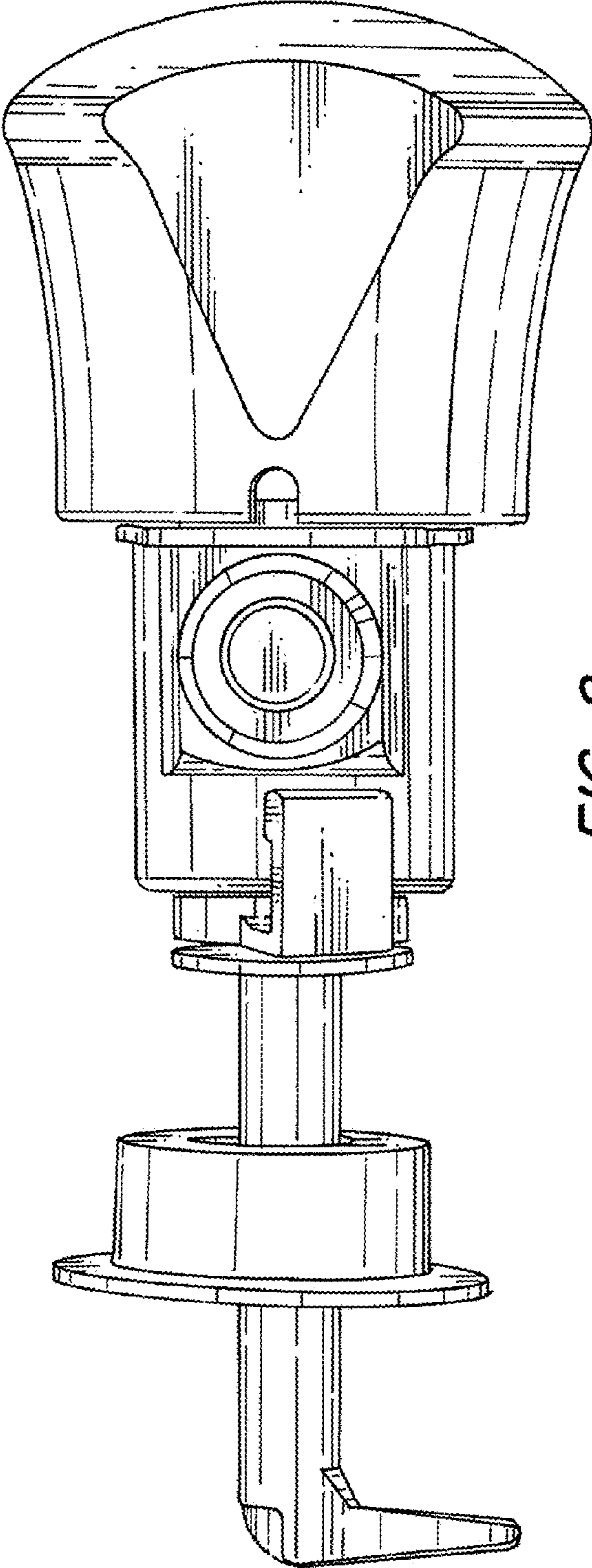


FIG. 2

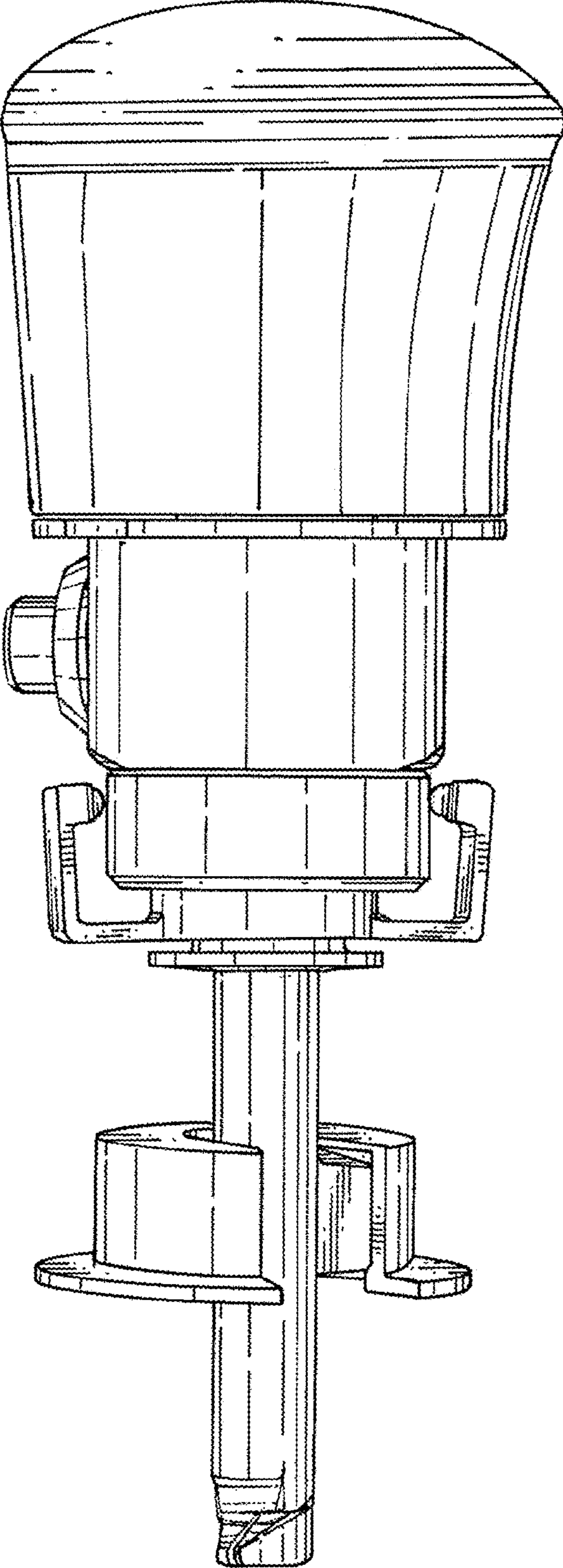


FIG. 3

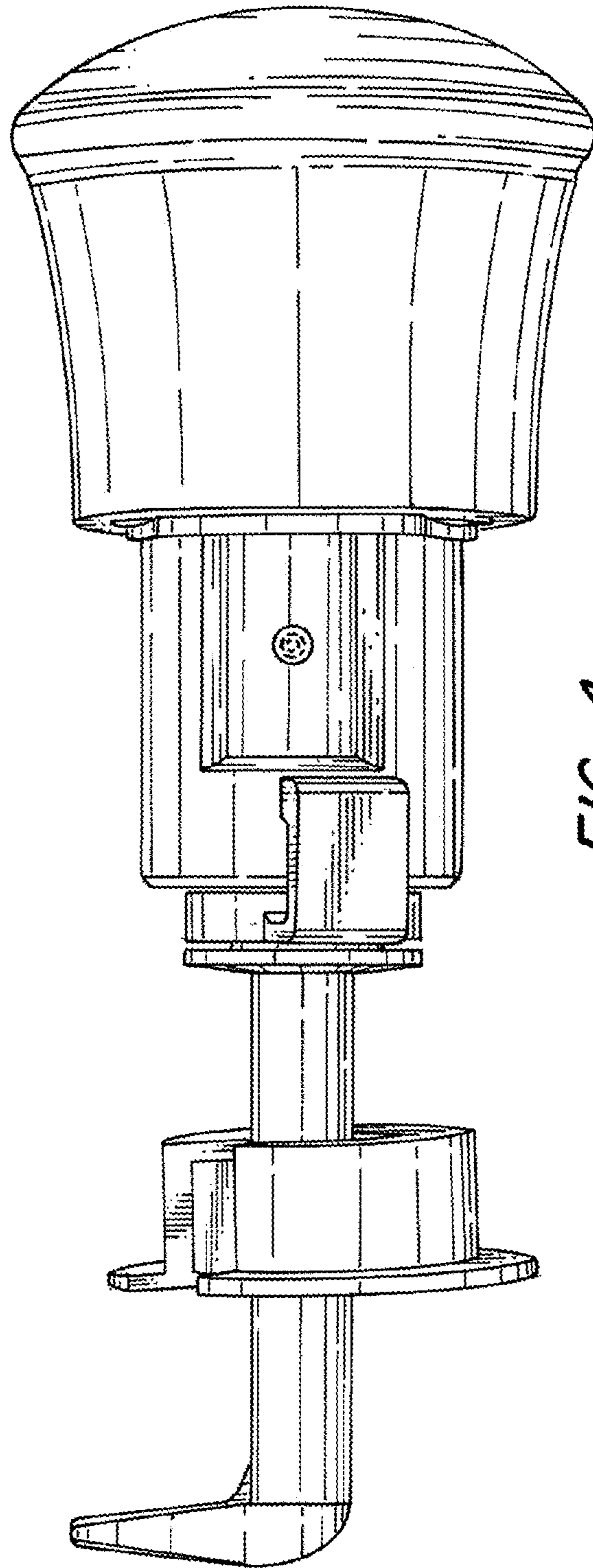


FIG. 4

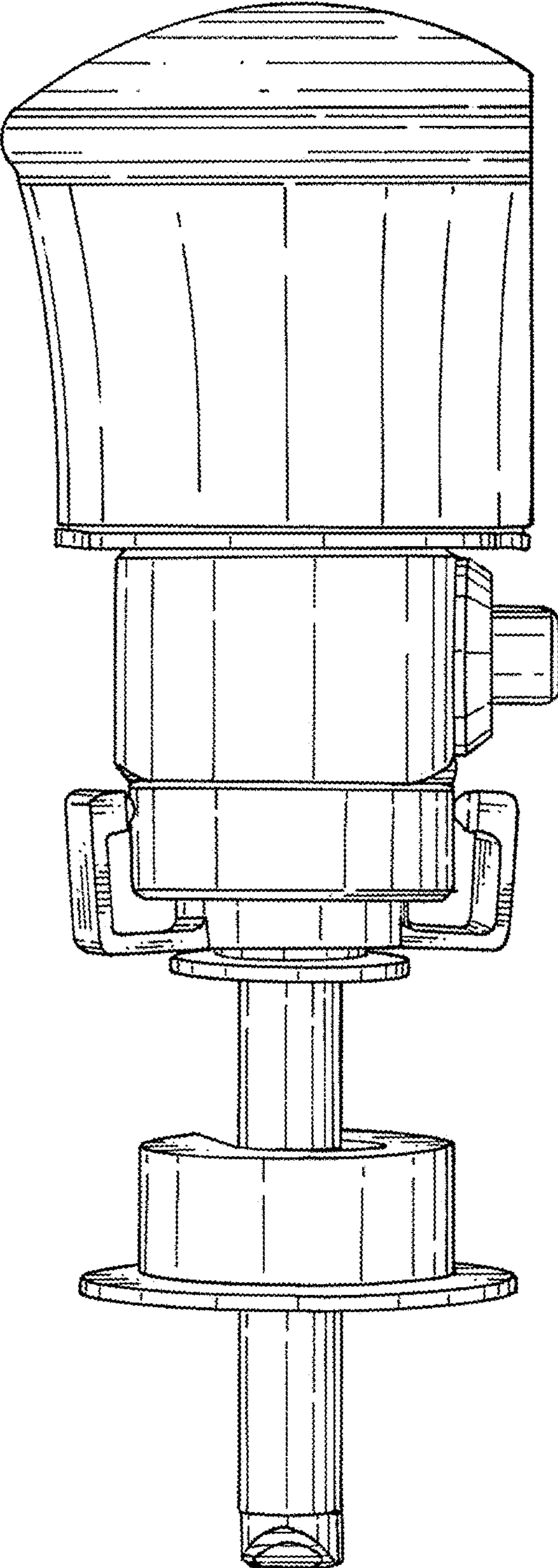
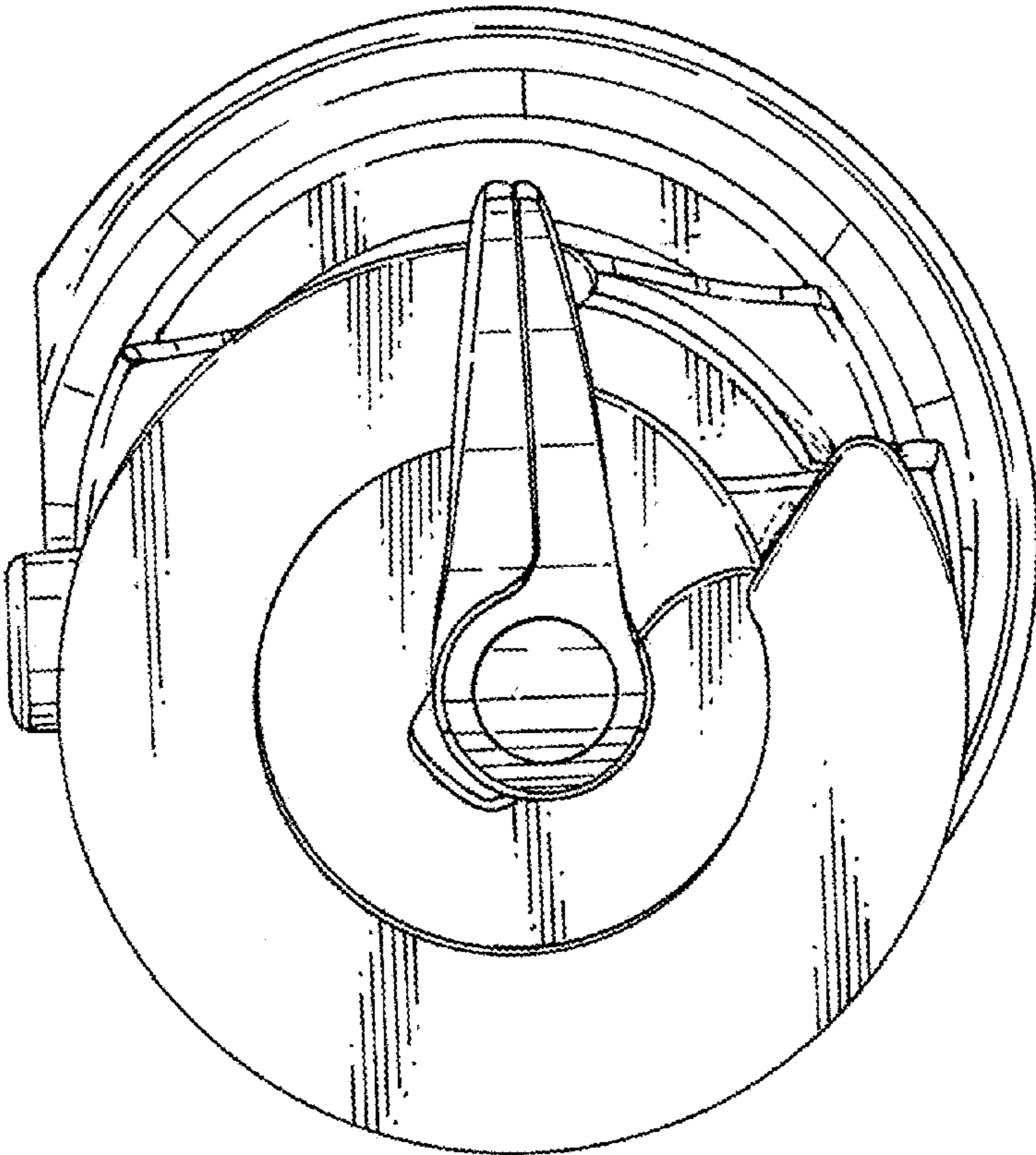
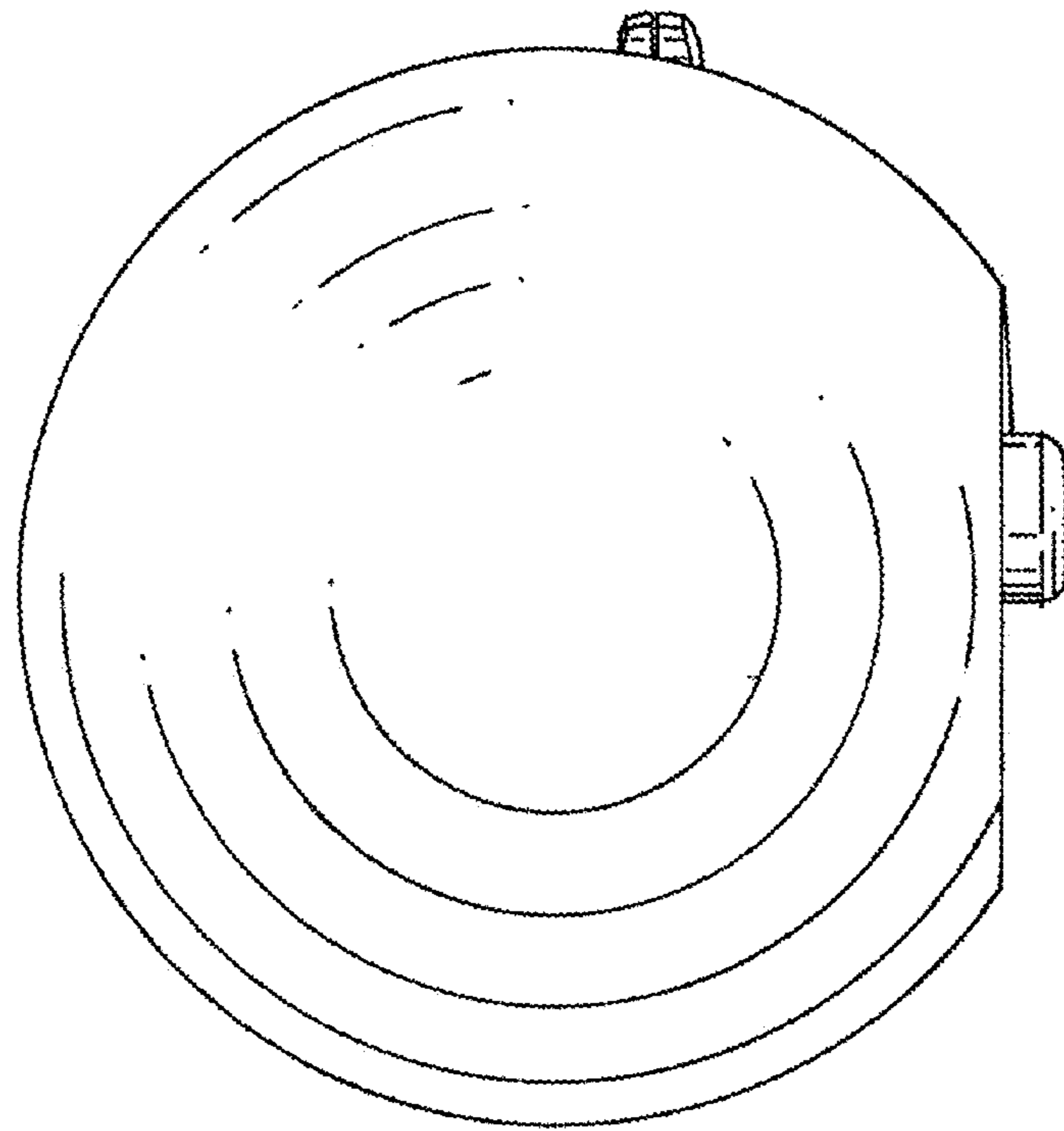


FIG. 5



*FIG. 6*



*FIG. 7*