



US00D774191S

(12) **United States Design Patent**  
**Miyagi et al.**

(10) **Patent No.:** **US D774,191 S**

(45) **Date of Patent:** **\*\* \*Dec. 13, 2016**

(54) **ENDOSCOPIC FORCEPS**

(71) Applicant: **JIMRO Co. , Ltd.**, Takasaki-shi,  
Gunma (JP)

(72) Inventors: **Kunihiko Miyagi**, Tokyo (JP); **Takashi Sawai**, Tokyo (JP)

(73) Assignee: **Jimro Co., Ltd.**, Takasaki-Shi, Gunma (JP)

(\*) Notice: This patent is subject to a terminal disclaimer.

(\*\*) Term: **14 Years**

(21) Appl. No.: **29/524,765**

(22) Filed: **Apr. 23, 2015**

(30) **Foreign Application Priority Data**

Oct. 30, 2014 (JP) ..... 2014 024283

(51) **LOC (10) Cl.** ..... **24-02**

(52) **U.S. Cl.**  
USPC ..... **D24/143**

(58) **Field of Classification Search**  
USPC ..... D24/143, 146-147, 133, 138; 606/167, 606/17, 51-52

CPC ..... A61B 10/04; A61B 10/06; A61B 17/28; A61B 17/2808; A61B 17/2812; A61B 17/2816; A61B 17/282; A61B 17/29; A61B 17/1285; A61B 18/1442; A61B 18/1445

See application file for complete search history.

(56) **References Cited**

**U.S. PATENT DOCUMENTS**

5,849,022 A \* 12/1998 Sakashita ..... A61B 17/29  
606/174

6,436,117 B1 \* 8/2002 Waller ..... A61B 17/32001  
606/205

6,743,240 B2 \* 6/2004 Smith ..... A61B 17/1285  
600/104  
6,773,434 B2 \* 8/2004 Ciarrocca ..... A61B 18/1445  
606/170  
6,964,662 B2 \* 11/2005 Kidooka ..... A61B 18/1442  
606/205  
7,105,000 B2 \* 9/2006 McBrayer ..... A61B 17/1285  
606/143  
D545,432 S \* 6/2007 Watanabe ..... D24/143  
7,736,363 B2 \* 6/2010 Watanabe ..... A61B 18/1445  
606/205  
8,870,902 B2 \* 10/2014 Deodhar ..... A61B 17/295  
606/174

(Continued)

*Primary Examiner* — Wan Laymon

(74) *Attorney, Agent, or Firm* — Thomas B. Ryan; Harter Secrest & Emery LLP

(57) **CLAIM**

The design for an endoscopic forceps, as shown and described.

**DESCRIPTION**

FIG. 1 is a front elevational view of an endoscopic forceps showing our new design.

FIG. 2 is a rear elevational view thereof.

FIG. 3 is a top plan view thereof.

FIG. 4 is a bottom plan view thereof.

FIG. 5 is a left side elevational view thereof.

FIG. 6 is a right side elevational view of the first embodiment thereof.

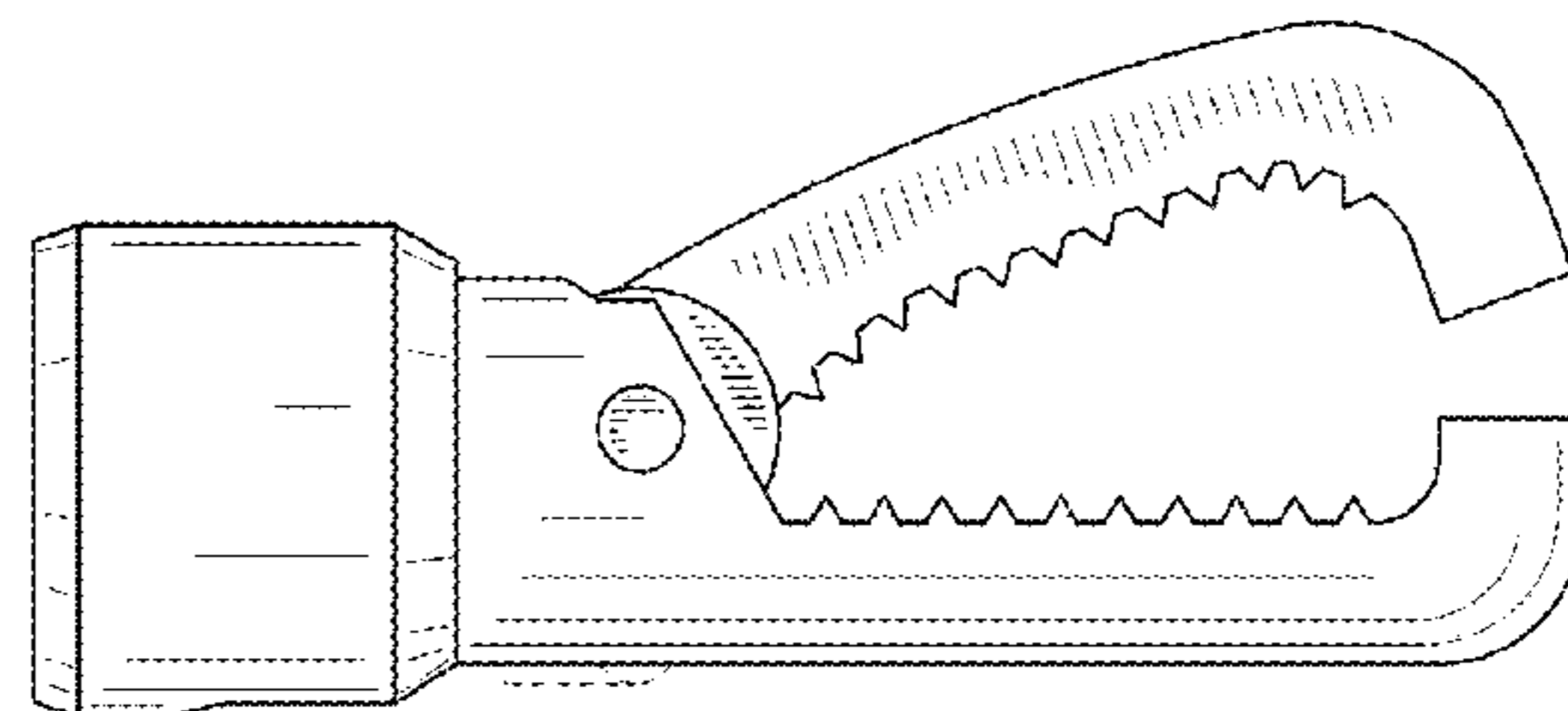
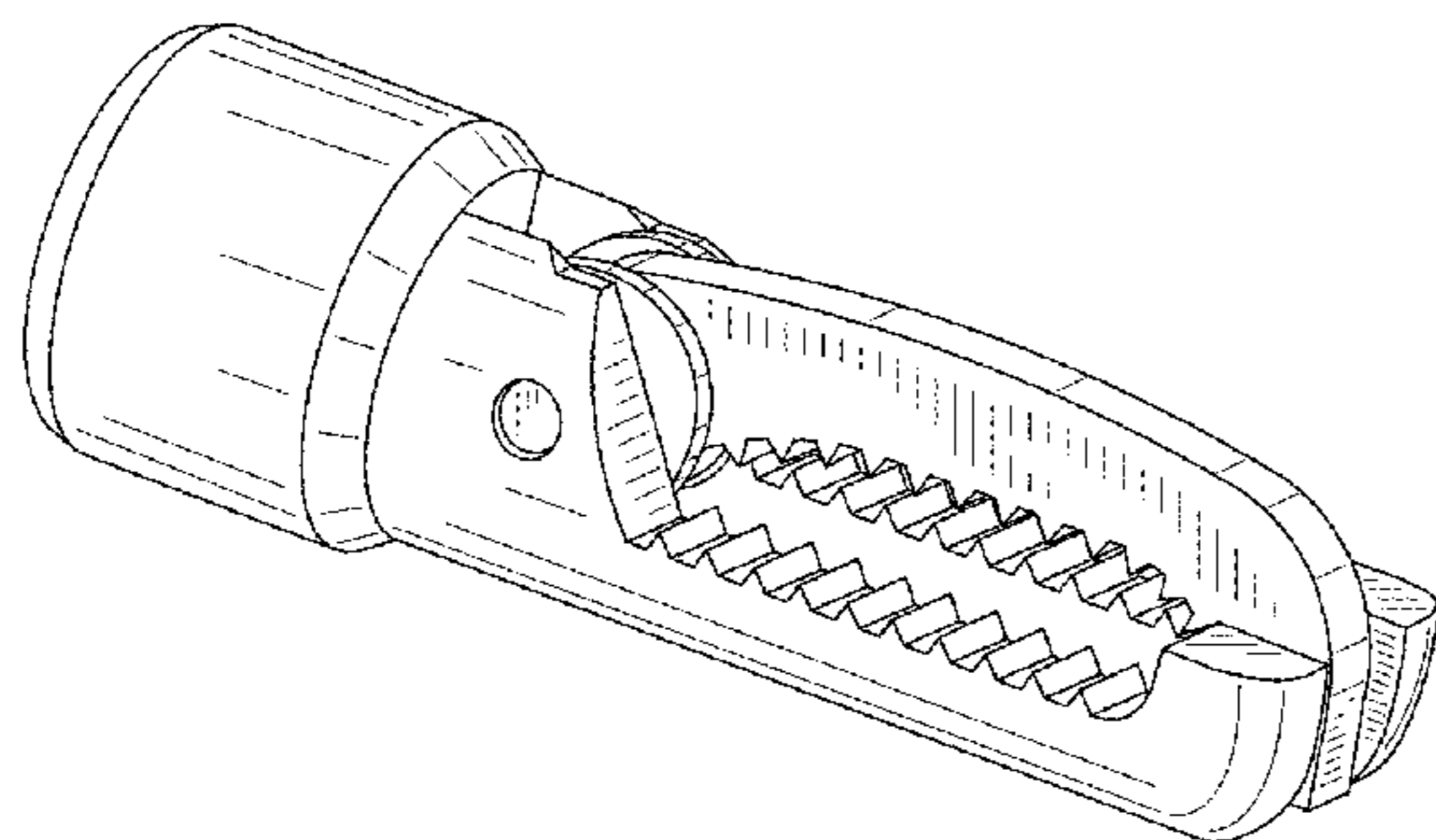
FIG. 7 is a top, front, and right side perspective view thereof.

FIG. 8 is a front elevational view of the endoscopic forceps of FIG. 1 in an opened position; and,

FIG. 9 is a front elevational view of the endoscopic forceps of FIG. 1 in a closed position.

The portions of the endoscopic forceps shown in broken lines form no part of the claimed design.

**1 Claim, 4 Drawing Sheets**



(56)

**References Cited**

U.S. PATENT DOCUMENTS

2010/0298852 A1\* 11/2010 Slater ..... A61B 17/320016  
606/205  
2012/0310222 A1\* 12/2012 Naito ..... A61B 17/29  
606/1

\* cited by examiner

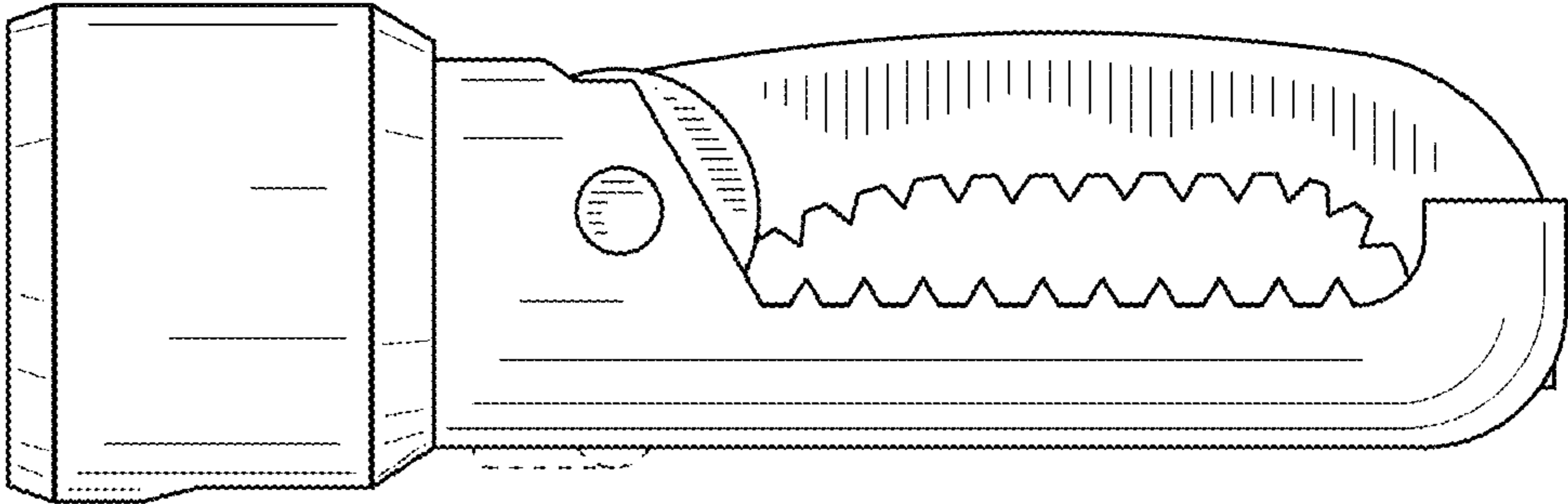


FIG. 1

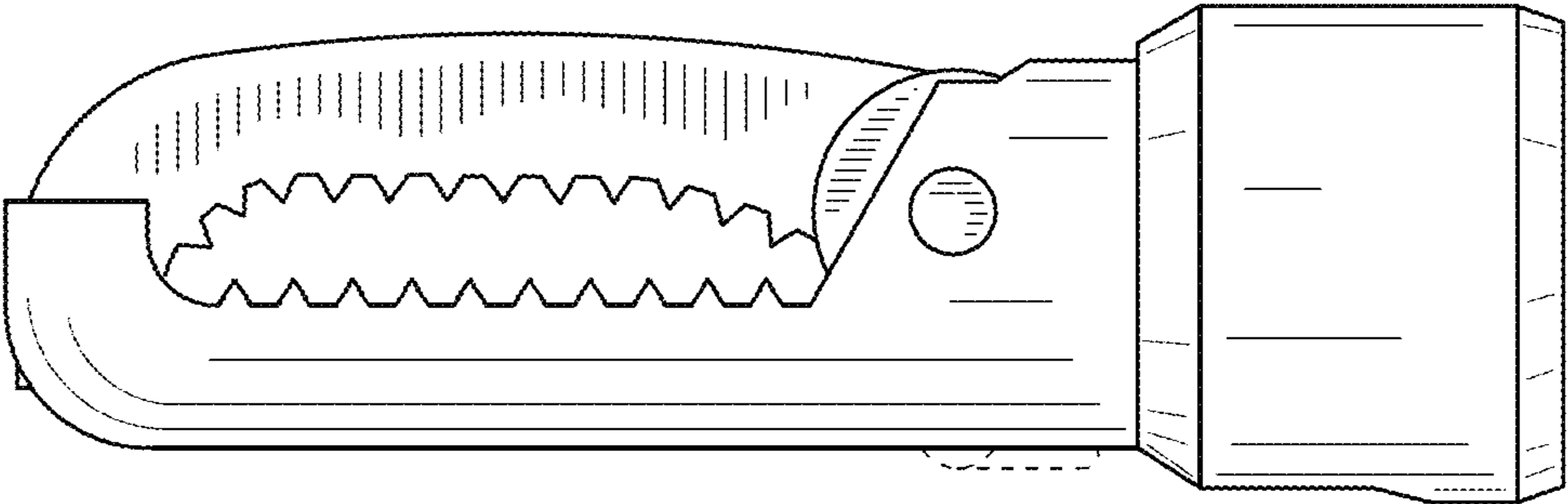


FIG. 2

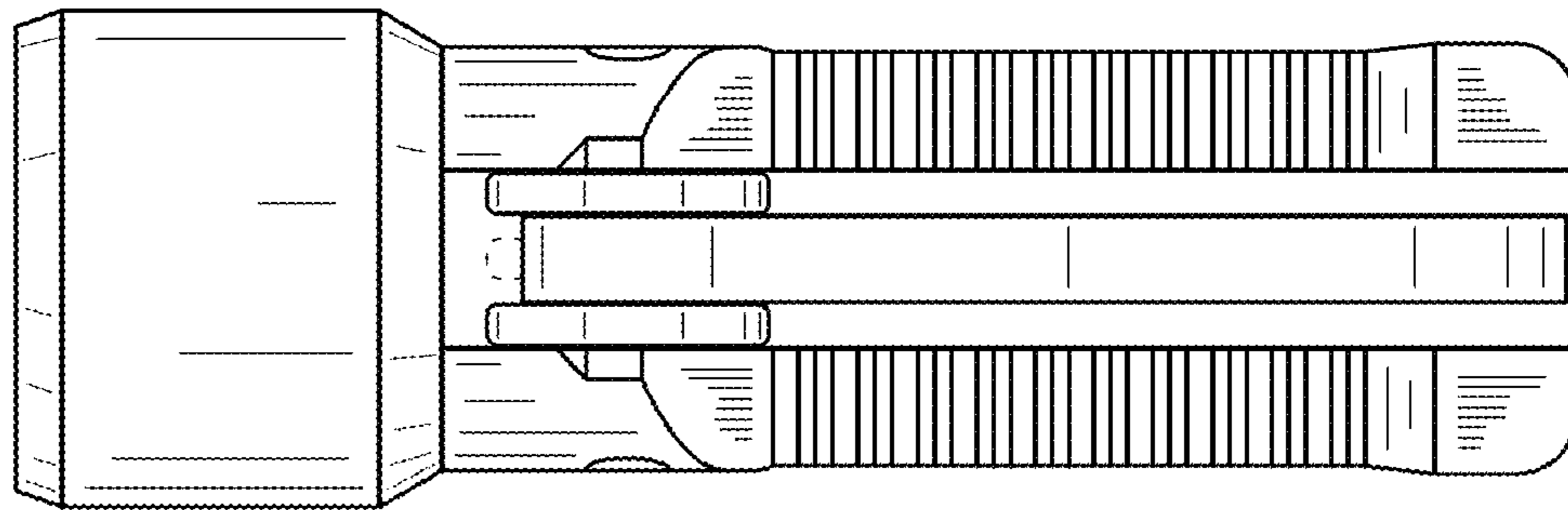


FIG. 3

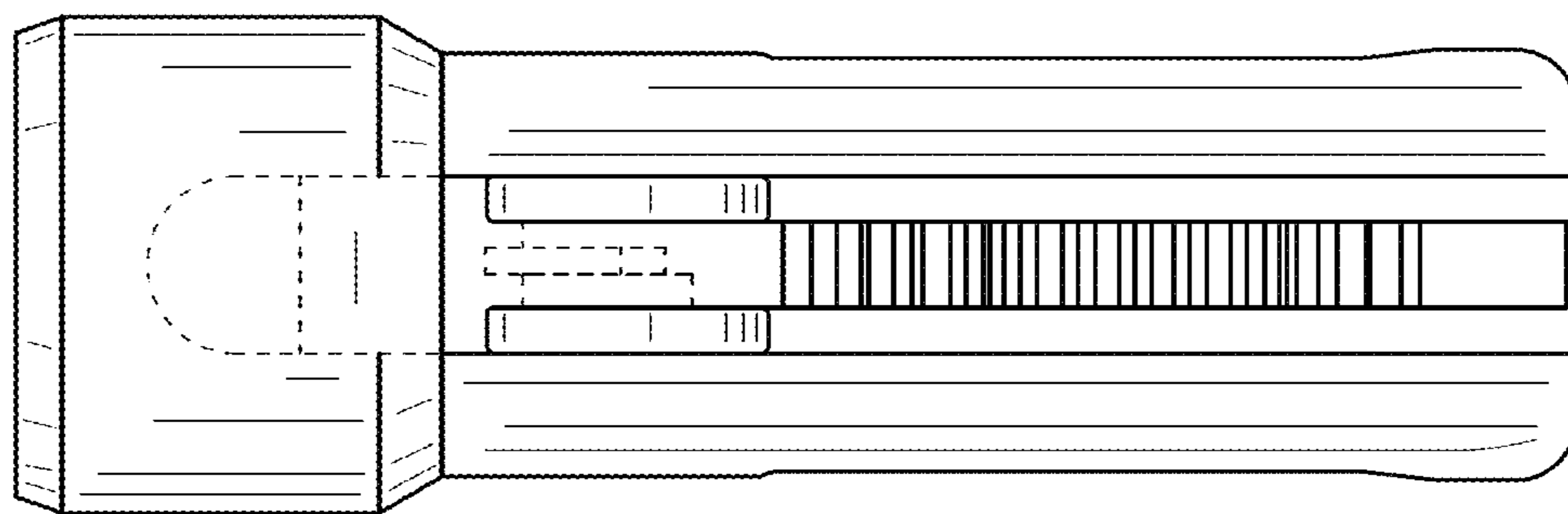


FIG. 4

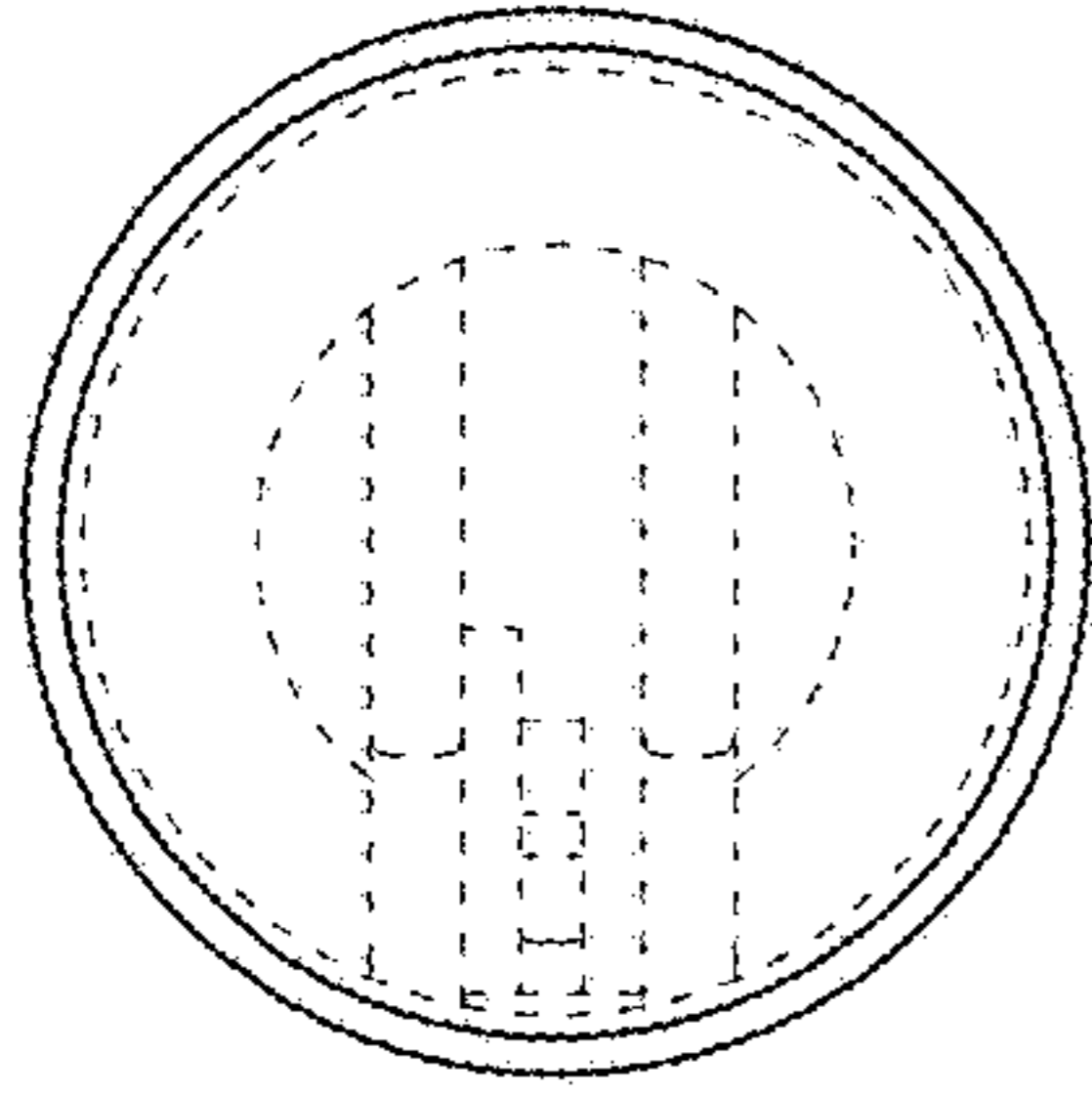


FIG. 5

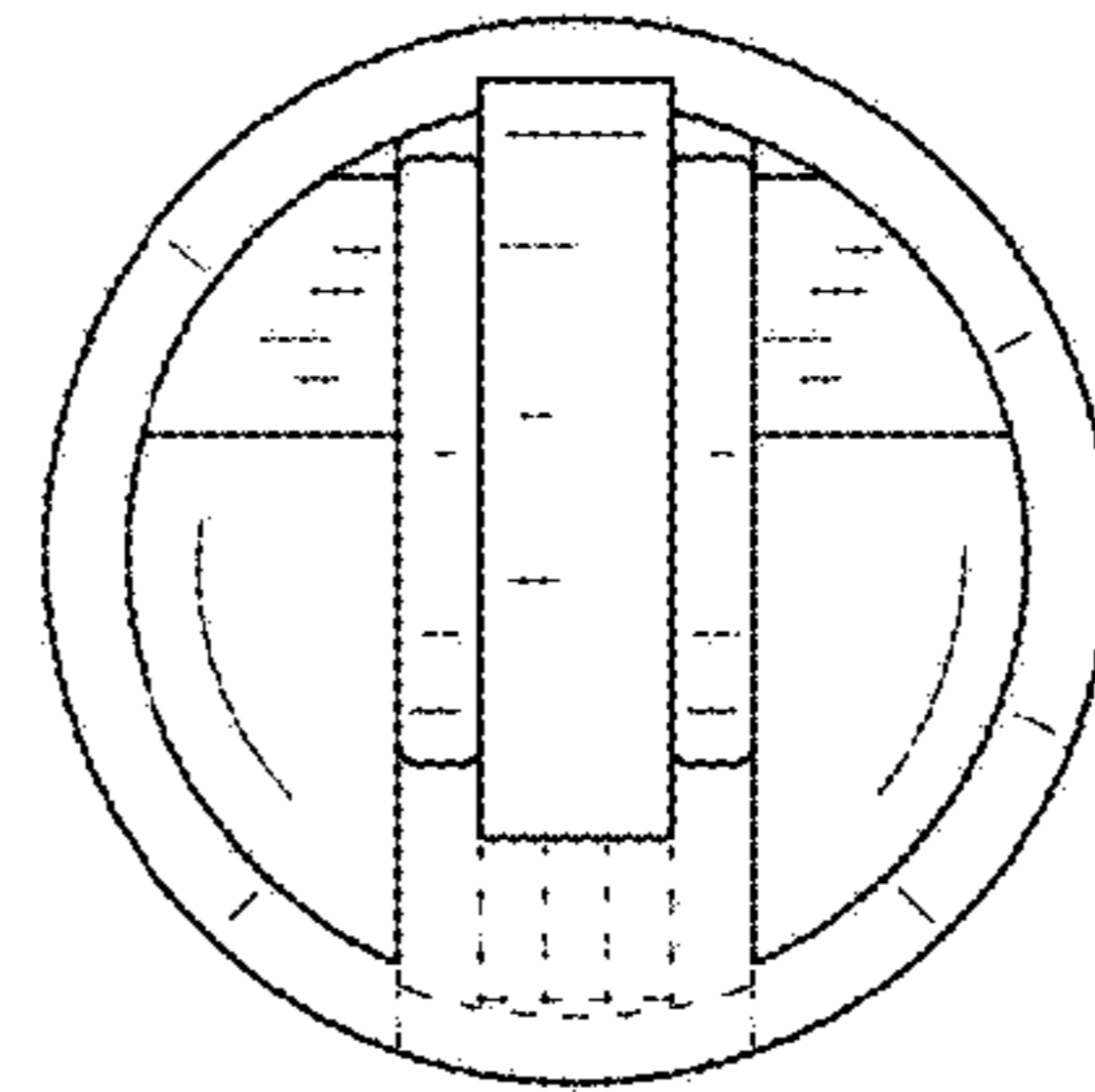


FIG. 6

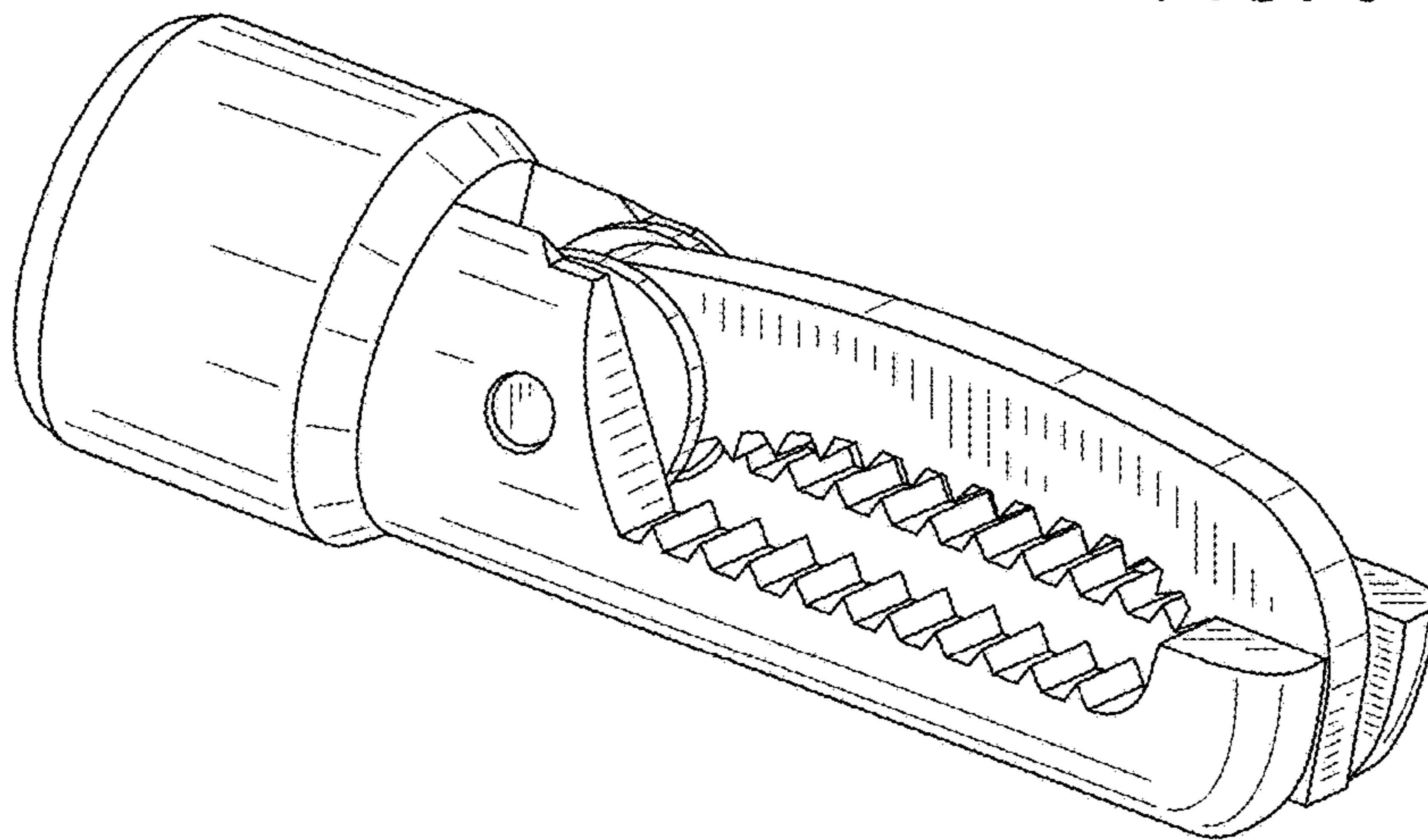


FIG. 7

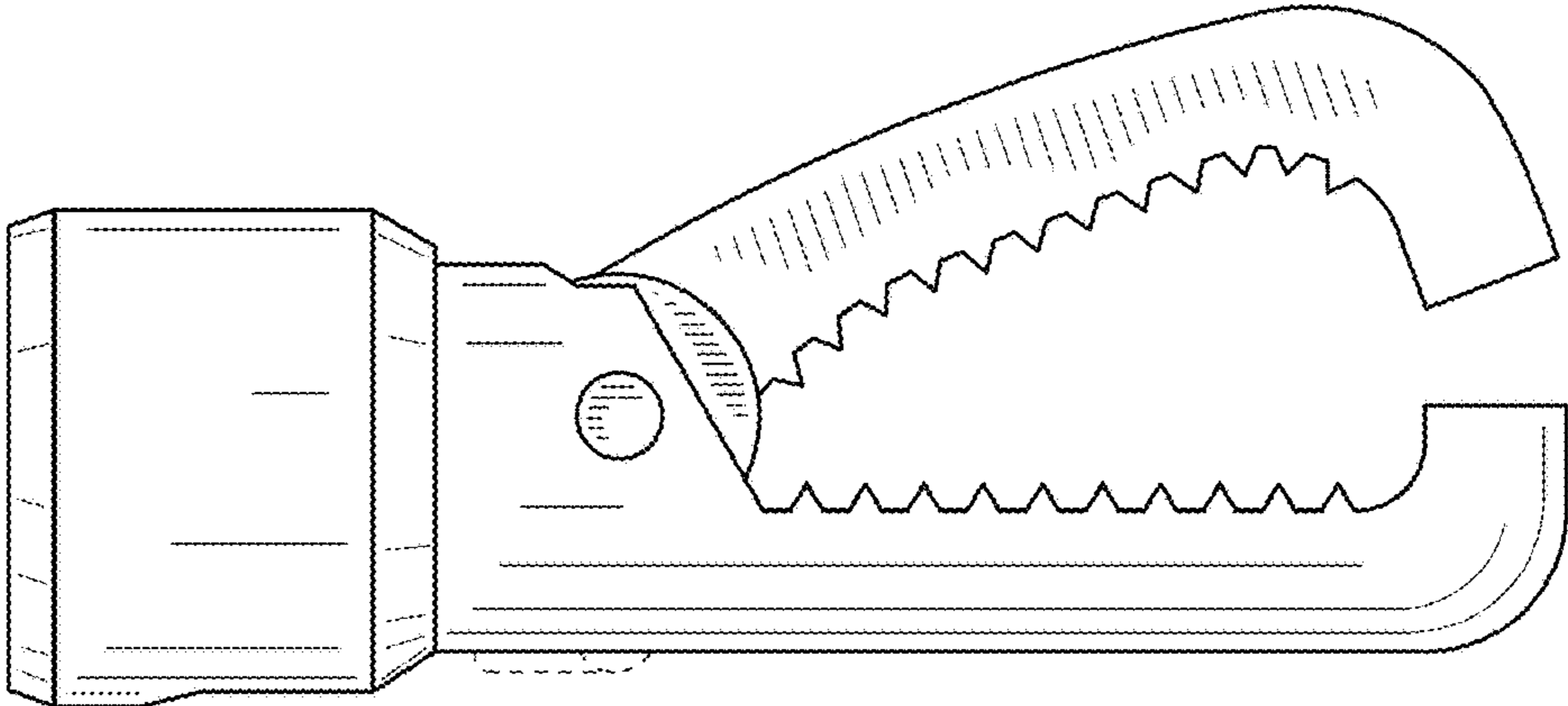


FIG. 8

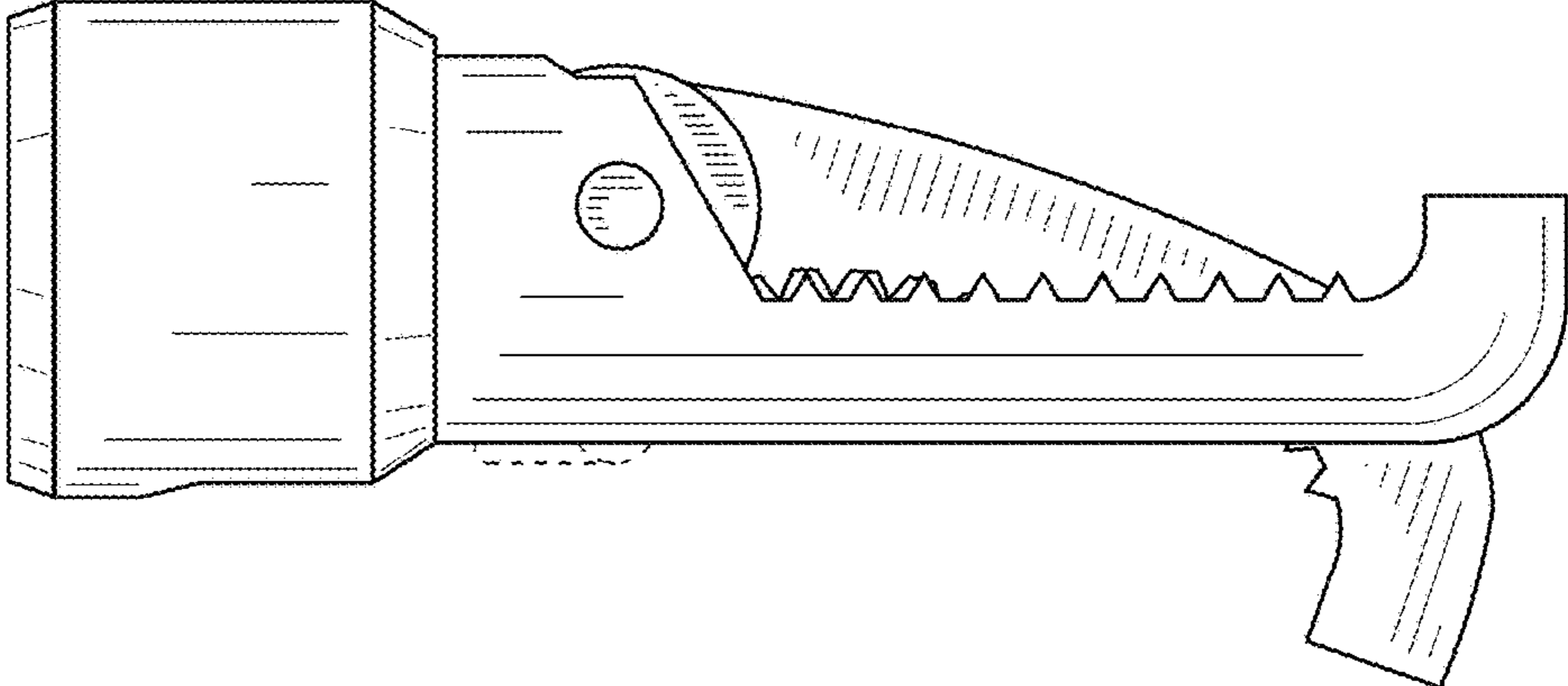


FIG. 9