



US00D774183S

(12) **United States Design Patent** (10) **Patent No.:** **US D774,183 S**
Swisher (45) **Date of Patent:** **** Dec. 13, 2016**

(54) **LIGHT-INHIBITING TRANSFER BAG**

7,478,513 B2 1/2009 Baldwin
D620,372 S * 7/2010 Latour D9/696
7,935,097 B1 * 5/2011 Moore A61F 5/449
604/333

(71) Applicant: **COVIDIEN LP**, Mansfield, MA (US)

(72) Inventor: **David Rork Swisher**, St. Charles, MO (US)

(73) Assignee: **Covidien LP**, Mansfield, MA (US)

(**) Term: **14 Years**

(21) Appl. No.: **29/520,329**

(22) Filed: **Mar. 13, 2015**

(51) **LOC (10) Cl.** **24-04**

(52) **U.S. Cl.**
USPC **D24/121**

(58) **Field of Classification Search**
USPC D24/118, 127, 108, 128, 111; 604/317,
604/327, 408, 403, 108, 339, 92, 415,
410, 332, 604/333; 128/DIG. 24; 383/22,
23, 35; D9/707, D9/709, 696; 206/219;
D18/56
CPC .. B01D 29/012; B01D 29/58; A61M 2202/00;
A61M 2202/0057
See application file for complete search history.

(56) **References Cited**

U.S. PATENT DOCUMENTS

D331,460 S * 12/1992 Mulder D24/118
5,842,326 A 12/1998 Wolf
D416,477 S * 11/1999 Flint D24/118
6,484,874 B1 * 11/2002 Kageyama A61J 1/2093
206/219
6,893,428 B2 5/2005 Willemstyn
6,997,901 B2 2/2006 Popovsky
7,213,702 B2 5/2007 Takimoto et al.
D564,217 S 3/2008 Knox et al.
7,428,807 B2 9/2008 Vander Bush et al.

(Continued)

Primary Examiner — David Muller
Assistant Examiner — Nathan Johnston

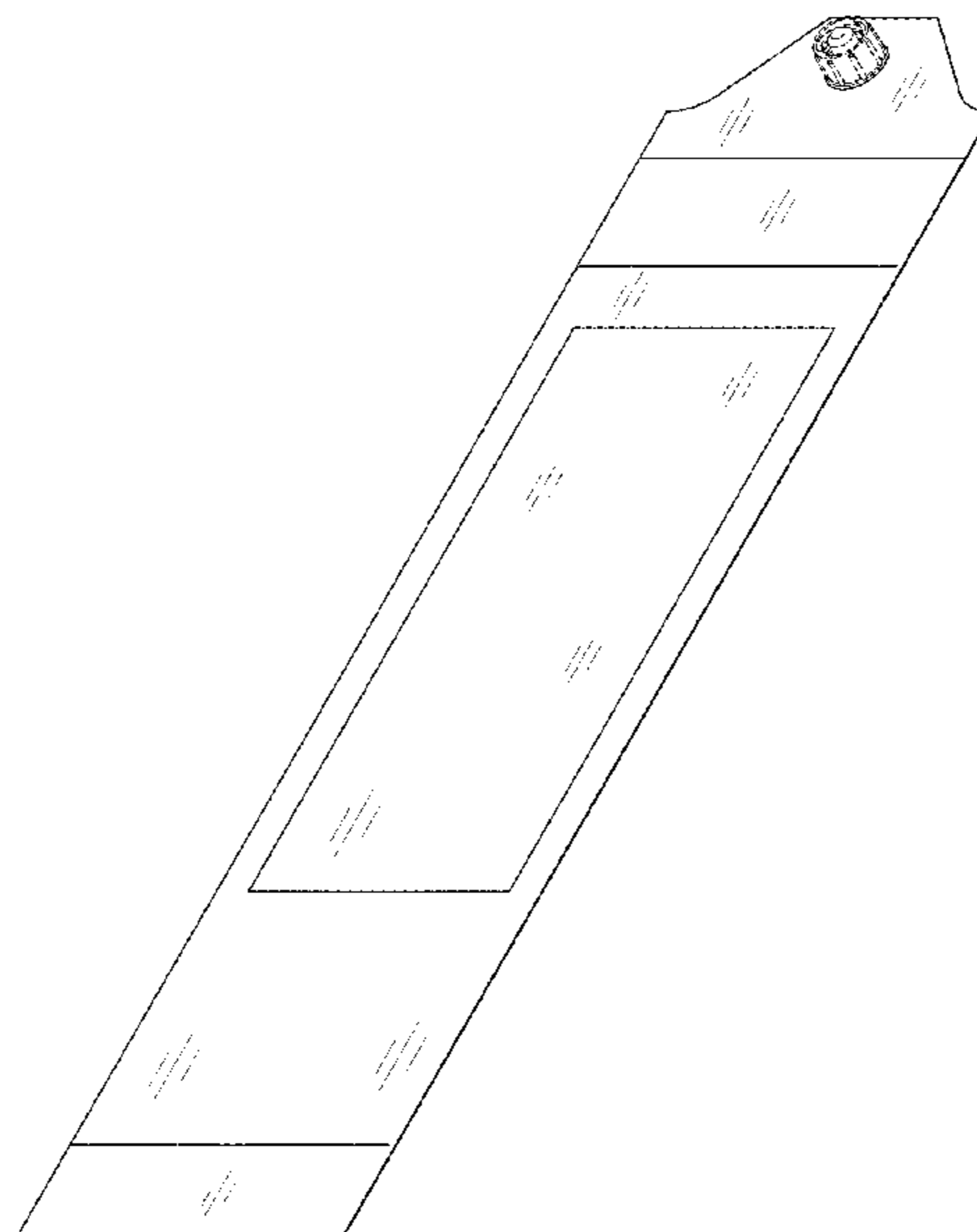
(57) **CLAIM**

The ornamental design for a light-inhibiting transfer bag, as shown and described.

DESCRIPTION

FIG. 1 is a perspective of a light-inhibiting transfer bag;
FIG. 2 is a front elevation view thereof;
FIG. 3 is a right side elevation view thereof, the left side elevation view being a mirror image of the right side elevation view;
FIG. 4 is a top plan view thereof, the bottom plan view being a mirror image of the top plan view;
FIG. 5 is a rear elevation view thereof;
FIG. 6 is a bottom plan view thereof;
FIG. 7 is a perspective view of the light-inhibiting transfer bag of FIG. 1 with a cap of the bag removed;
FIG. 8 is a front elevation view of the bag of FIG. 7;
FIG. 9 is a rear elevation view thereof, the right side, top, left side, and bottom views forming no part of this embodiment;
FIG. 10 is a perspective view of the light-inhibiting transfer bag of FIG. 1 with a label of the bag removed;
FIG. 11 is a front elevation view of the bag of FIG. 10;
FIG. 12 is a right side elevation view thereof, the left side elevation view being a mirror image thereof;
FIG. 13 is a top plan view of the bag of FIG. 10, the bottom plan view being a mirror image thereof;
FIG. 14 is a rear elevation view thereof; and,
FIG. 15 is a bottom plan view thereof.
The elements shown in phantom form no part of the claimed design.

1 Claim, 15 Drawing Sheets



(56)

References Cited

U.S. PATENT DOCUMENTS

8,002,737	B2	8/2011	Tennican	
D652,300	S *	1/2012	Anderson D9/434
8,512,278	B2	8/2013	Tennican	
8,763,798	B2	7/2014	Paul	
2004/0143235	A1 *	7/2004	Freund B65D 83/0061 604/408
2006/0100543	A1 *	5/2006	Raney A61B 5/1411 600/583
2007/0167869	A1 *	7/2007	Roe A61B 5/14532 600/583
2009/0052808	A1 *	2/2009	Pham B65D 31/14 383/23
2013/0345626	A1	12/2013	Tennican	

* cited by examiner

FIG. 1

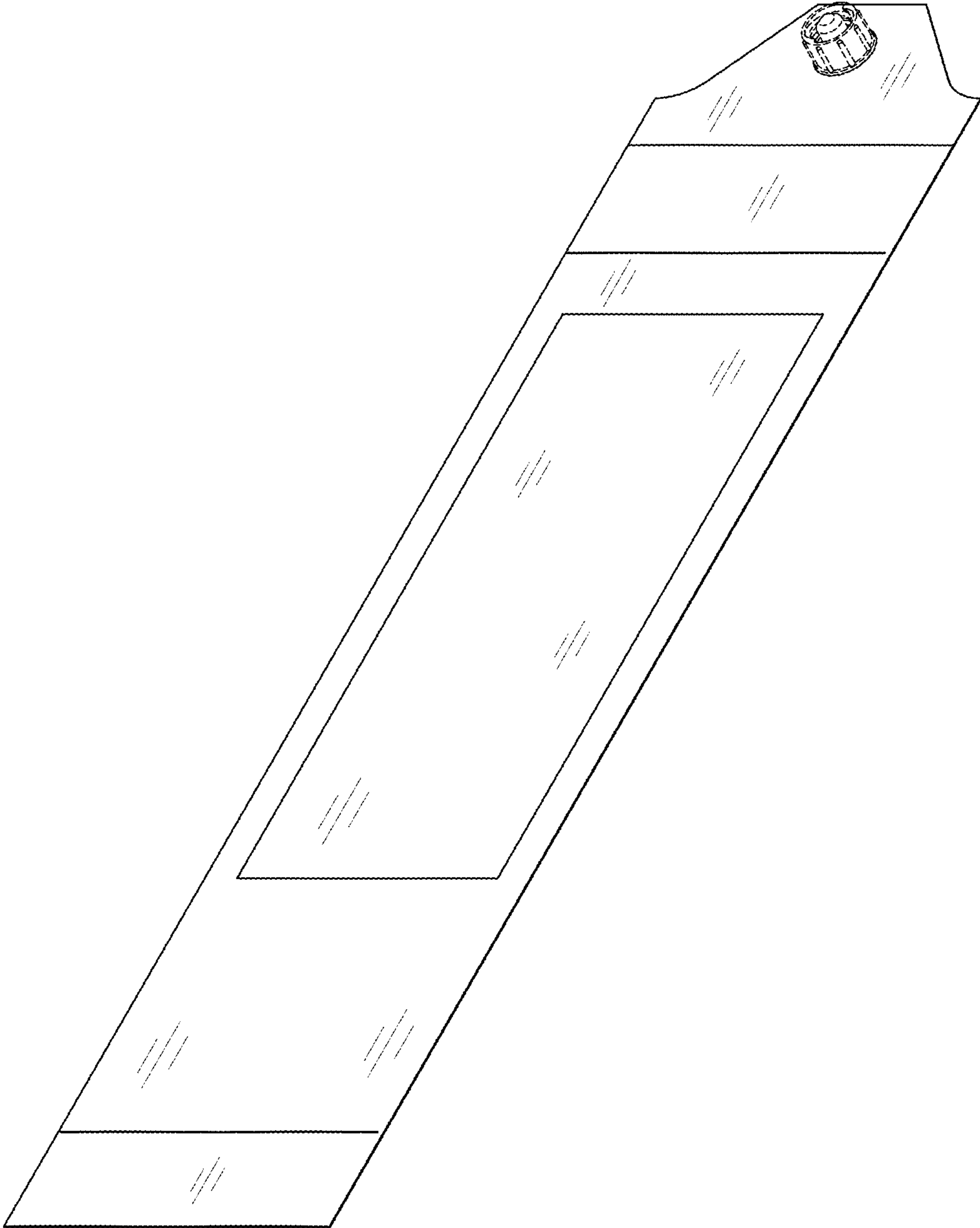


FIG. 2

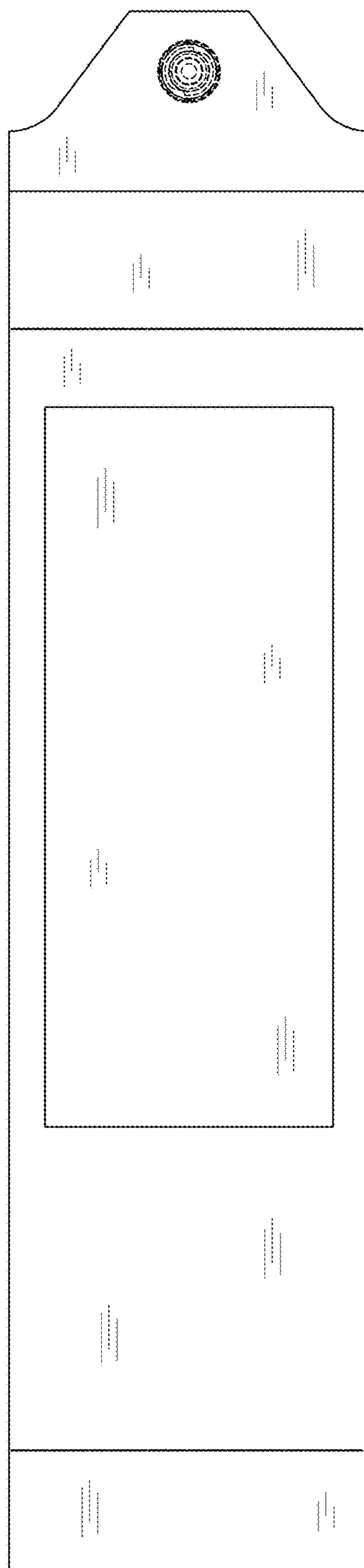


FIG. 3



FIG. 4



FIG. 5

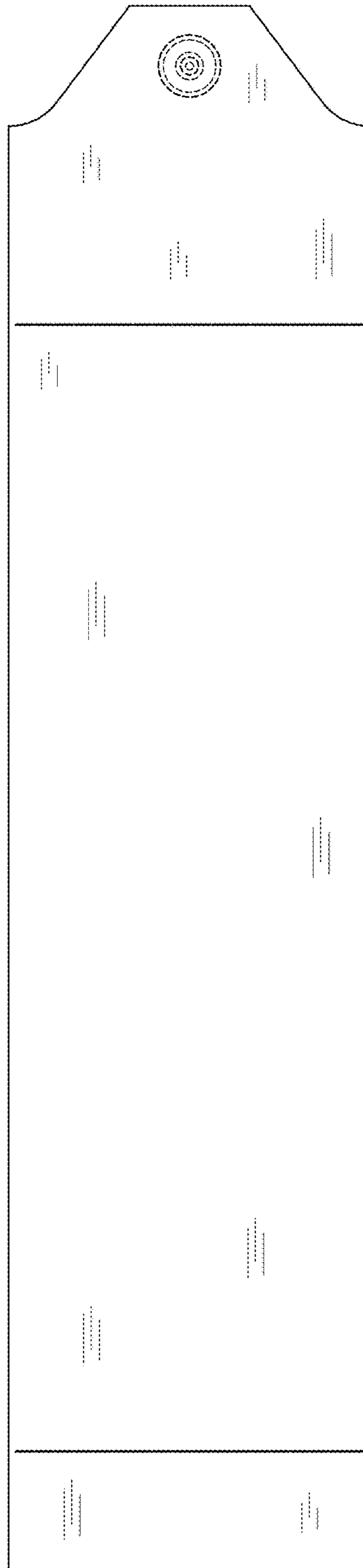


FIG. 6



FIG. 7

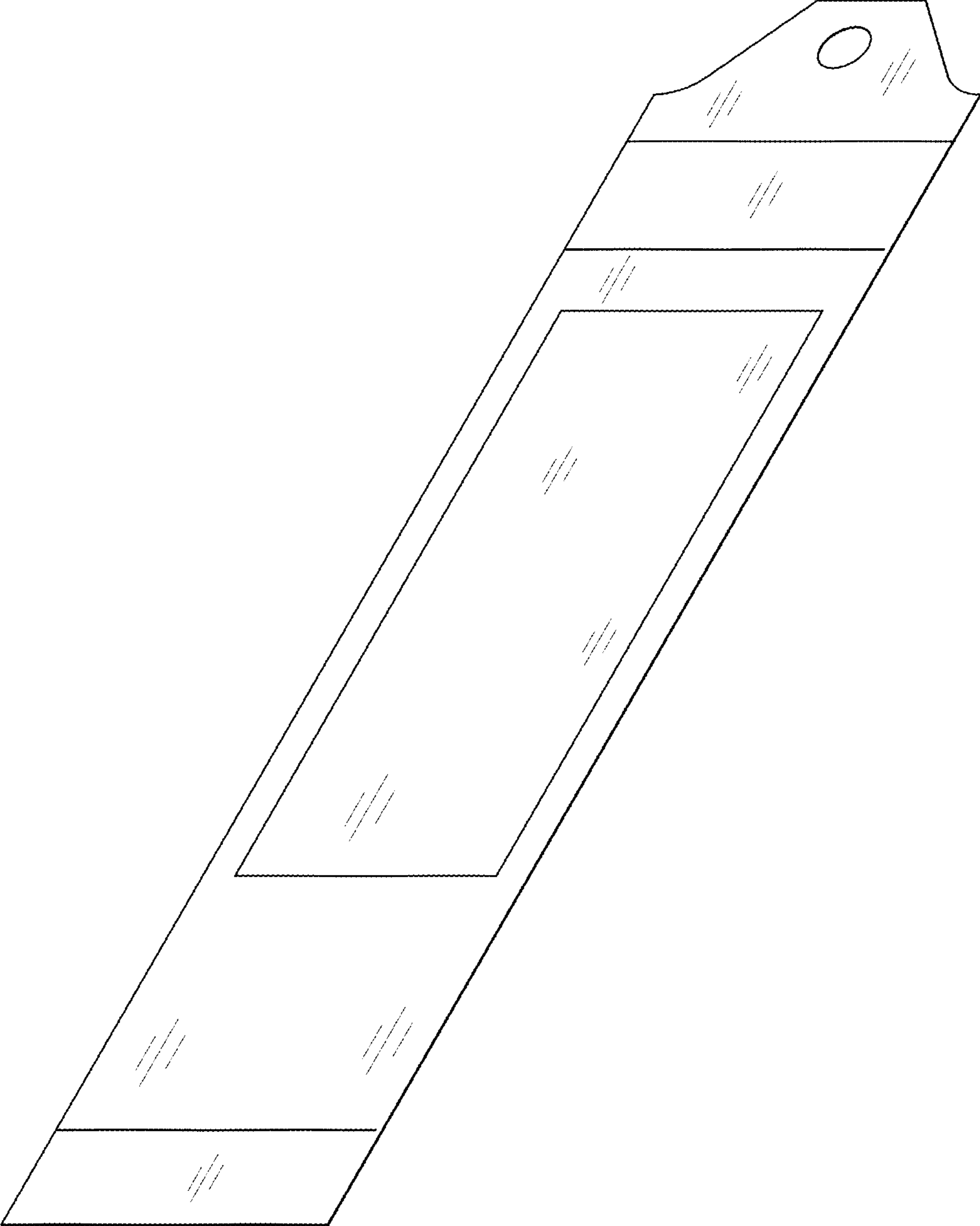


FIG. 8

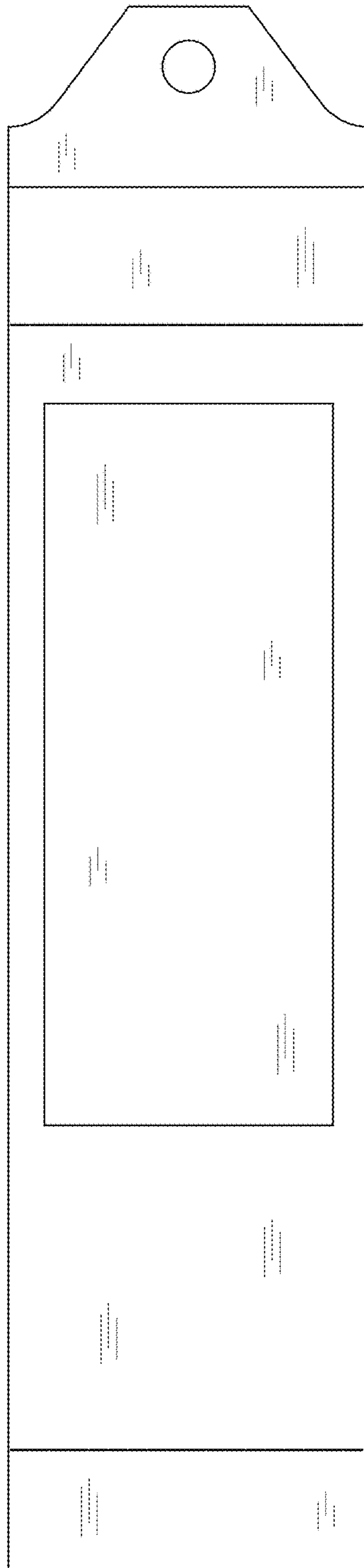


FIG. 9

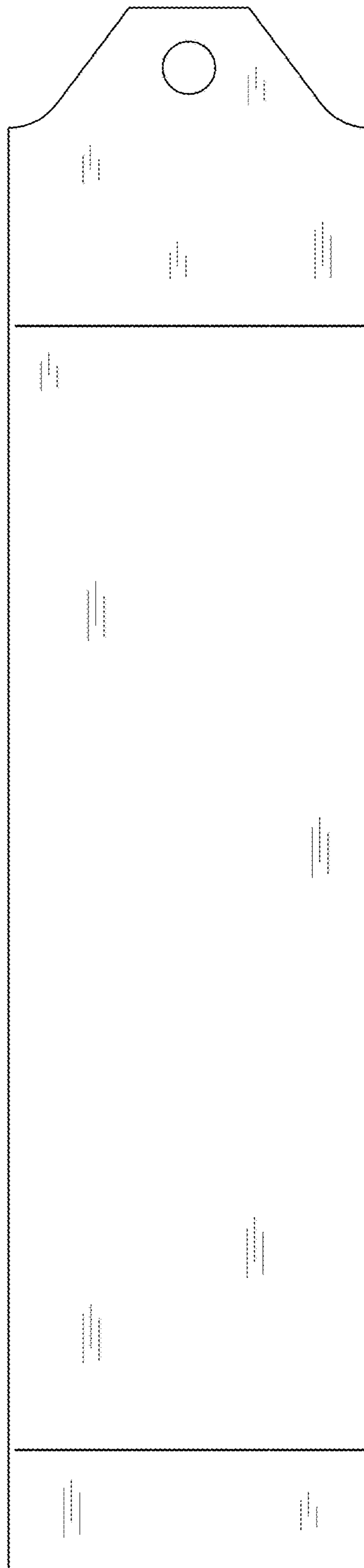


FIG. 10

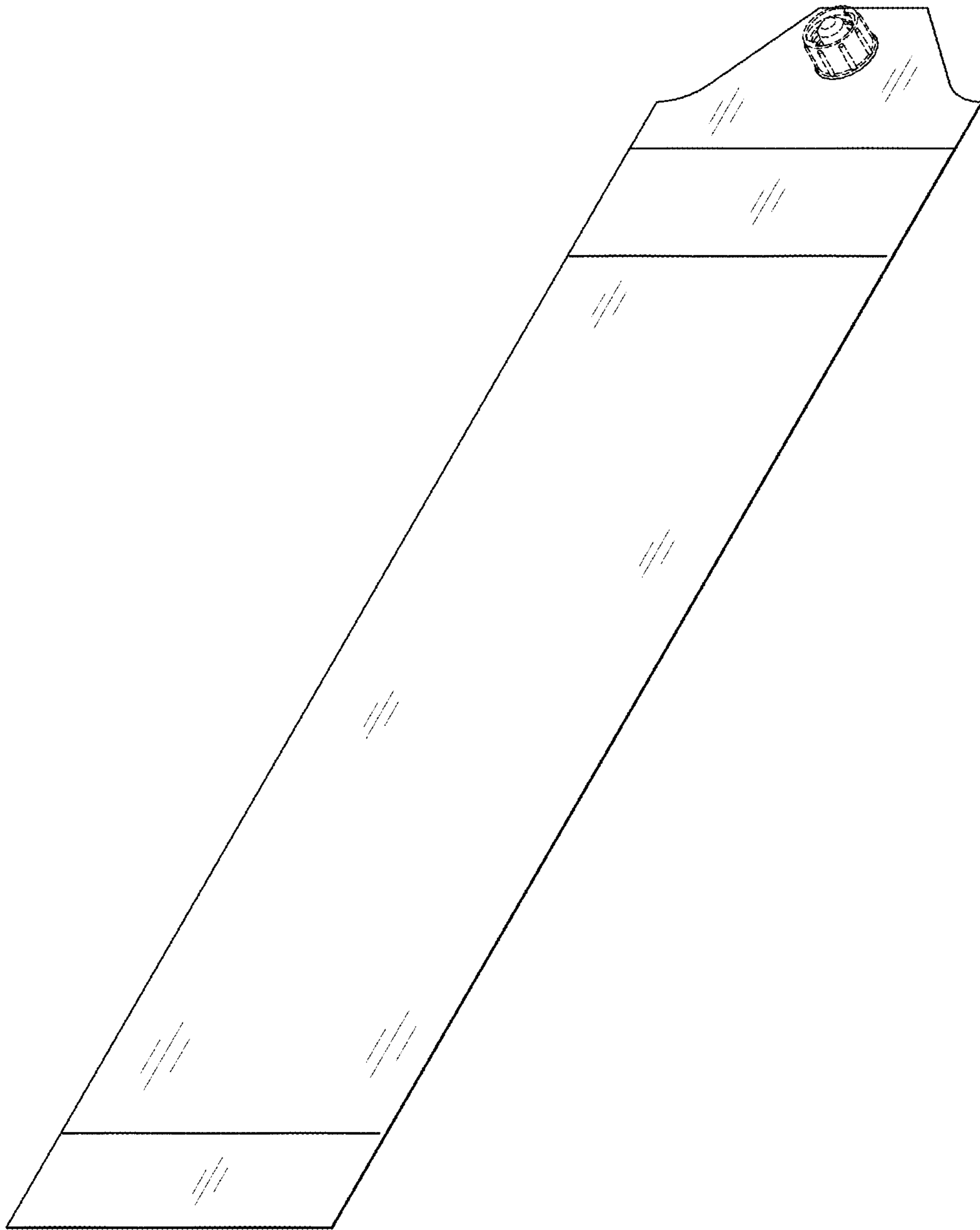


FIG. 11

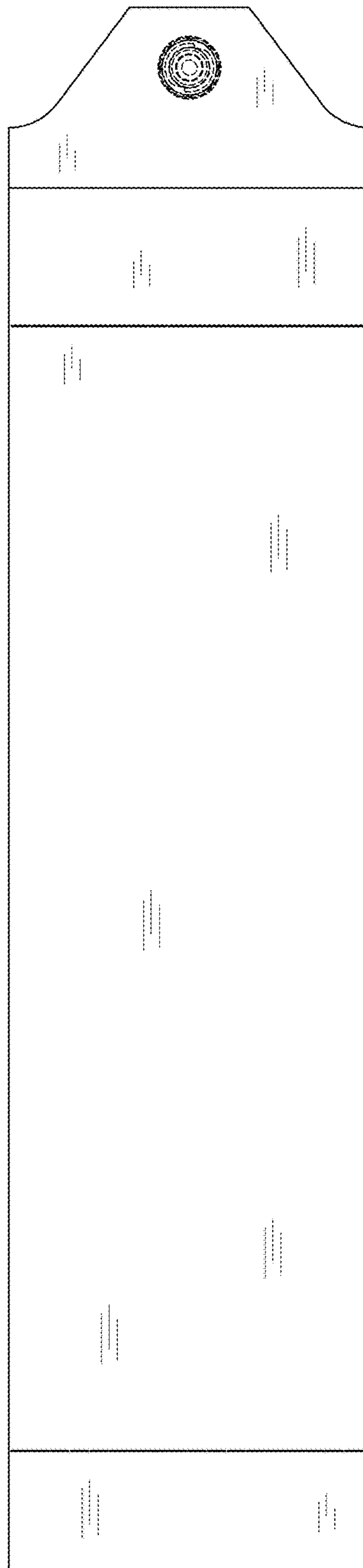


FIG. 12



FIG. 13



FIG. 14

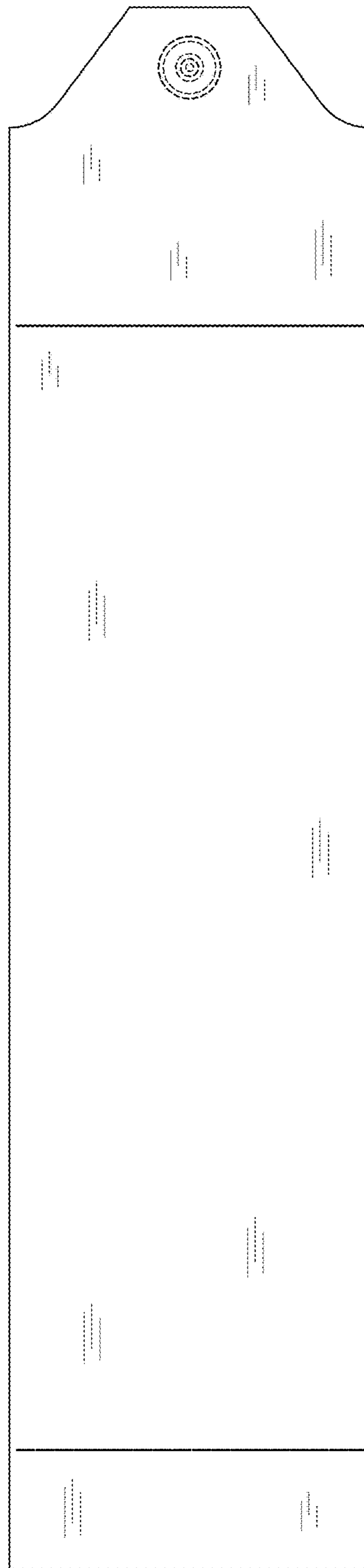


FIG. 15

