



US00D774181S

(12) **United States Design Patent** (10) **Patent No.:** **US D774,181 S**
Green (45) **Date of Patent:** **** Dec. 13, 2016**

(54) **AIR REMOVAL DEVICE**
(71) Applicant: **Richard Green**, Santa Monica, CA (US)
(72) Inventor: **Richard Green**, Santa Monica, CA (US)
(73) Assignee: **Richard Green**, Santa Monica, CA (US)

D642,548 S 8/2011 Bowen, III
D647,496 S 10/2011 Tung
8,029,728 B2 * 10/2011 Lindsay B01D 19/0063
422/44
8,062,270 B2 * 11/2011 Sweeney A61B 17/3472
604/264
D657,867 S * 4/2012 Effenberger D24/114
8,211,047 B2 * 7/2012 Cerasoli A61M 1/34
210/645

(Continued)

(**) Term: **15 Years**

(21) Appl. No.: **29/545,199**

(22) Filed: **Nov. 10, 2015**

(51) **LOC (10) Cl.** **24-02**

(52) **U.S. Cl.**
USPC **D24/112**

(58) **Field of Classification Search**
USPC D24/112-114, 108, 133, 130, 127, 186;
606/181, 185; 604/4.01, 6.05, 264, 272,
604/187, 181, 184, 227; 600/101, 139,
143; 128/200.24, 207.14, 207.15; 422/44
CPC A61M 25/00; A61M 39/00; A61M 27/00;
A61M 25/0043; A61M 25/0067; A61M
25/0097

See application file for complete search history.

(56) **References Cited**

U.S. PATENT DOCUMENTS

D363,702 S 10/1995 McFadden
6,053,899 A * 4/2000 Slanda A61B 17/0483
604/500
D458,134 S 6/2002 Berish et al.
6,716,189 B1 * 4/2004 Jarvik A61M 1/101
604/4.01
D520,041 S 5/2006 Wheat
D522,595 S 6/2006 Donahue et al.
7,569,029 B2 * 8/2009 Clark A61M 25/0023
604/266
7,896,832 B2 * 3/2011 Zafirelis A61M 1/101
600/16

FOREIGN PATENT DOCUMENTS

EP 2 497 512 9/2012
SU 1134199 1/1985

(Continued)

OTHER PUBLICATIONS

PCT International Search Report and Written Opinion dated Nov. 6, 2014, from related application No. PCT/US2014/016595.

(Continued)

Primary Examiner — David Muller
(74) *Attorney, Agent, or Firm* — Foley & Lardner LLP

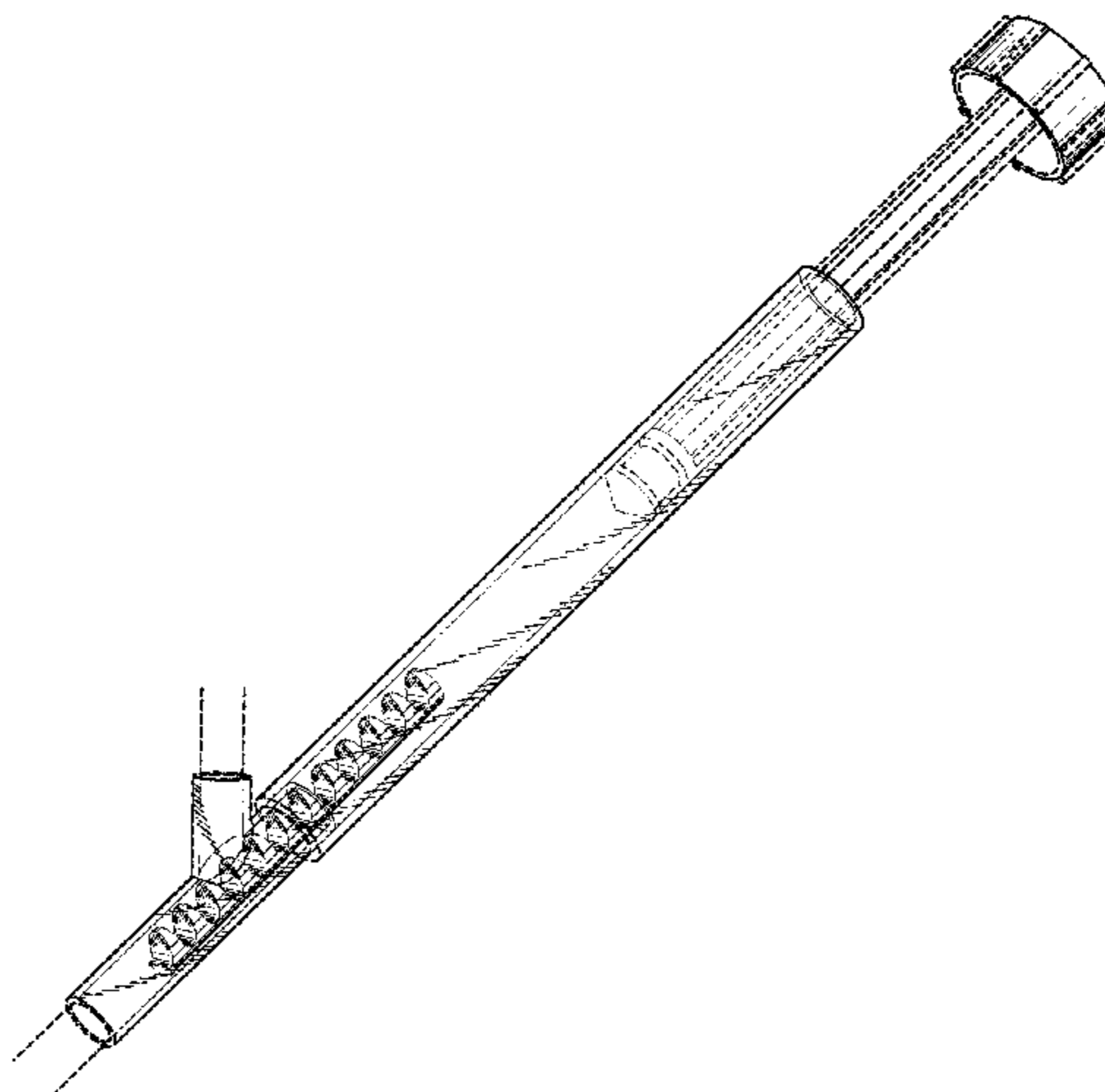
(57) **CLAIM**

I claim the ornamental design for an air removal device, as shown and described.

DESCRIPTION

FIG. 1 is a top front perspective view of the claimed design; FIG. 2 is a right side elevation view thereof; FIG. 3 is a left side elevation view thereof; FIG. 4 is a front elevation view thereof; FIG. 5 is a rear elevation view thereof; FIG. 6 is a top plan view thereof; and, FIG. 7 is a bottom plan view thereof. The features shown in broken lines depict environmental structure only and form no part of the claimed design.

1 Claim, 4 Drawing Sheets



(56)

References Cited

U.S. PATENT DOCUMENTS

8,313,954 B2 * 11/2012 Leach A61M 1/029
210/513
D672,238 S 12/2012 Aziz et al.
8,393,328 B2 * 3/2013 Angel A61M 16/04
128/200.26
D722,160 S * 2/2015 Armstrong D24/130
D741,476 S * 10/2015 Hiraoka D24/114
2015/0343157 A1 * 12/2015 Basile A61M 5/31511
604/506

FOREIGN PATENT DOCUMENTS

SU 1215718 3/1986
WO WO-2012/128816 9/2012

OTHER PUBLICATIONS

US Notice of Allowance dated Jul. 16, 2014, from related U.S. Appl.
No. 29/456,396.

International Preliminary Report on Patentability dated Aug. 25,
2016, from related international application No. PCT/US2014/
016595.

* cited by examiner

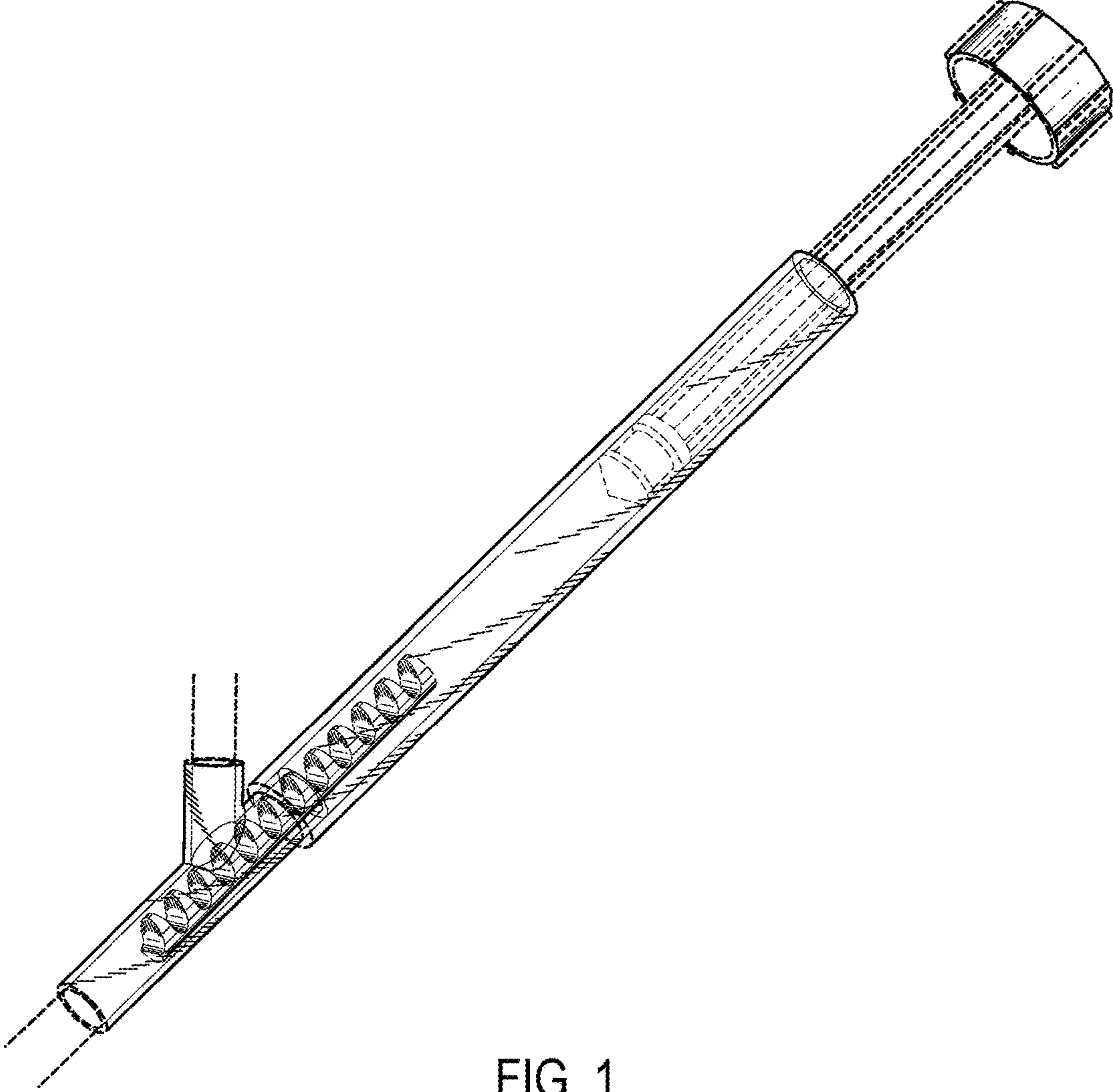


FIG. 1

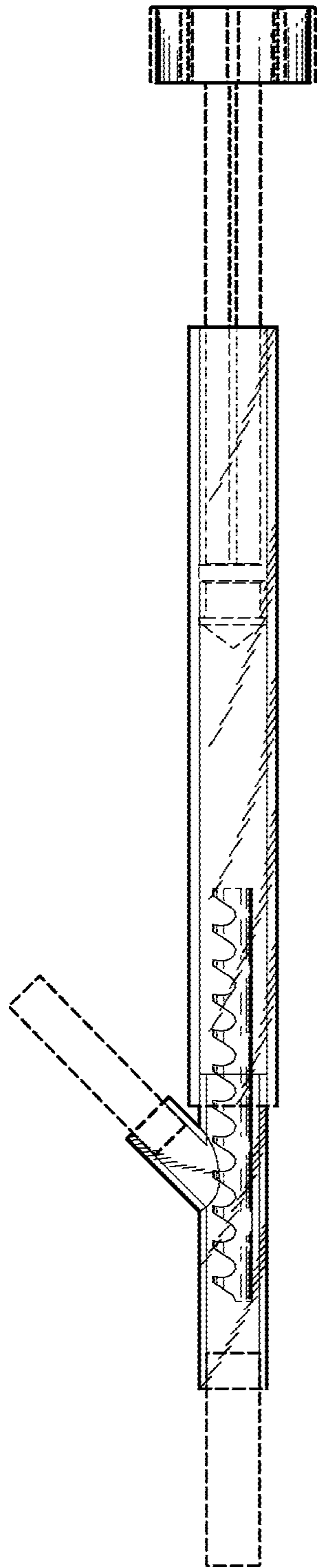


FIG. 2

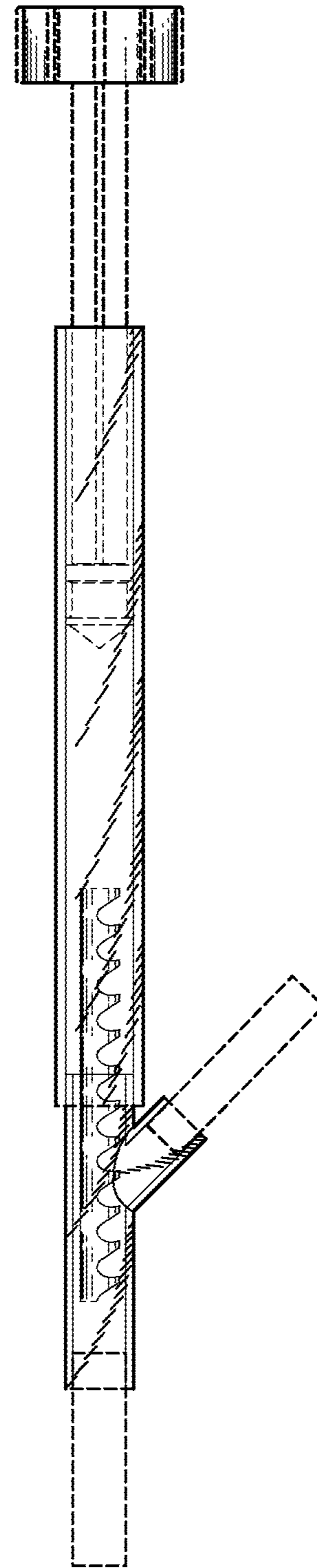


FIG. 3

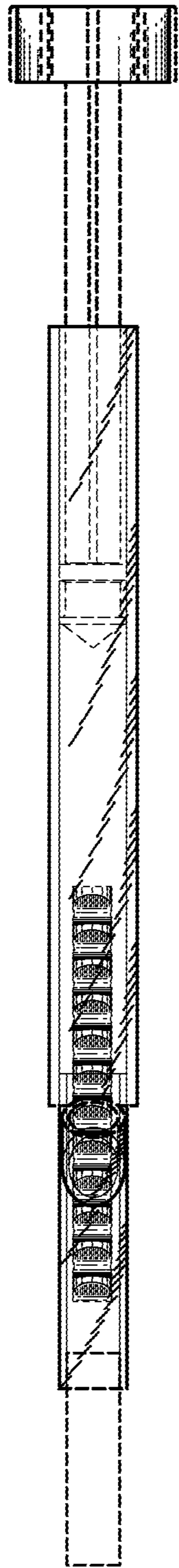


FIG. 4

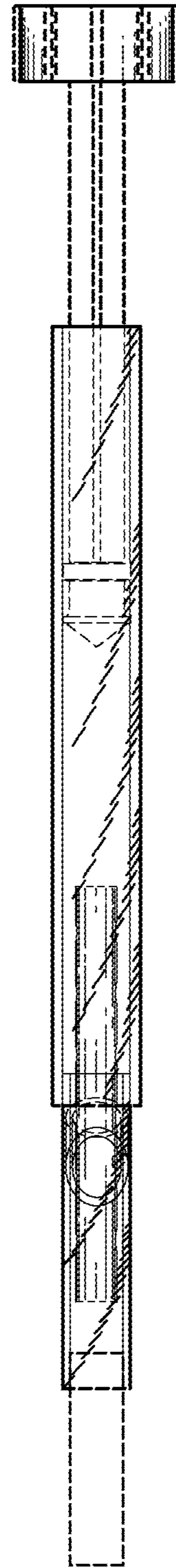


FIG. 5

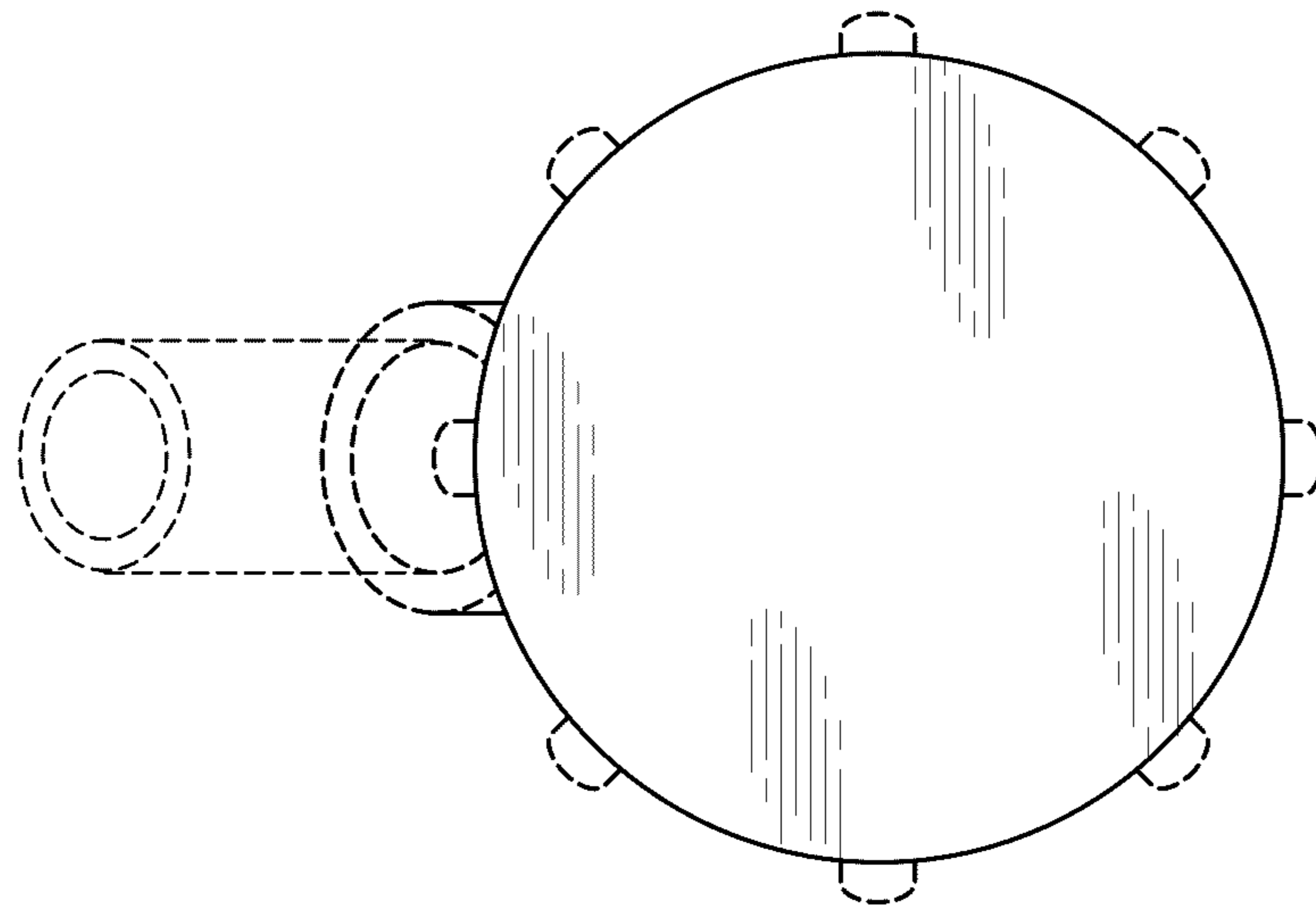


FIG. 6

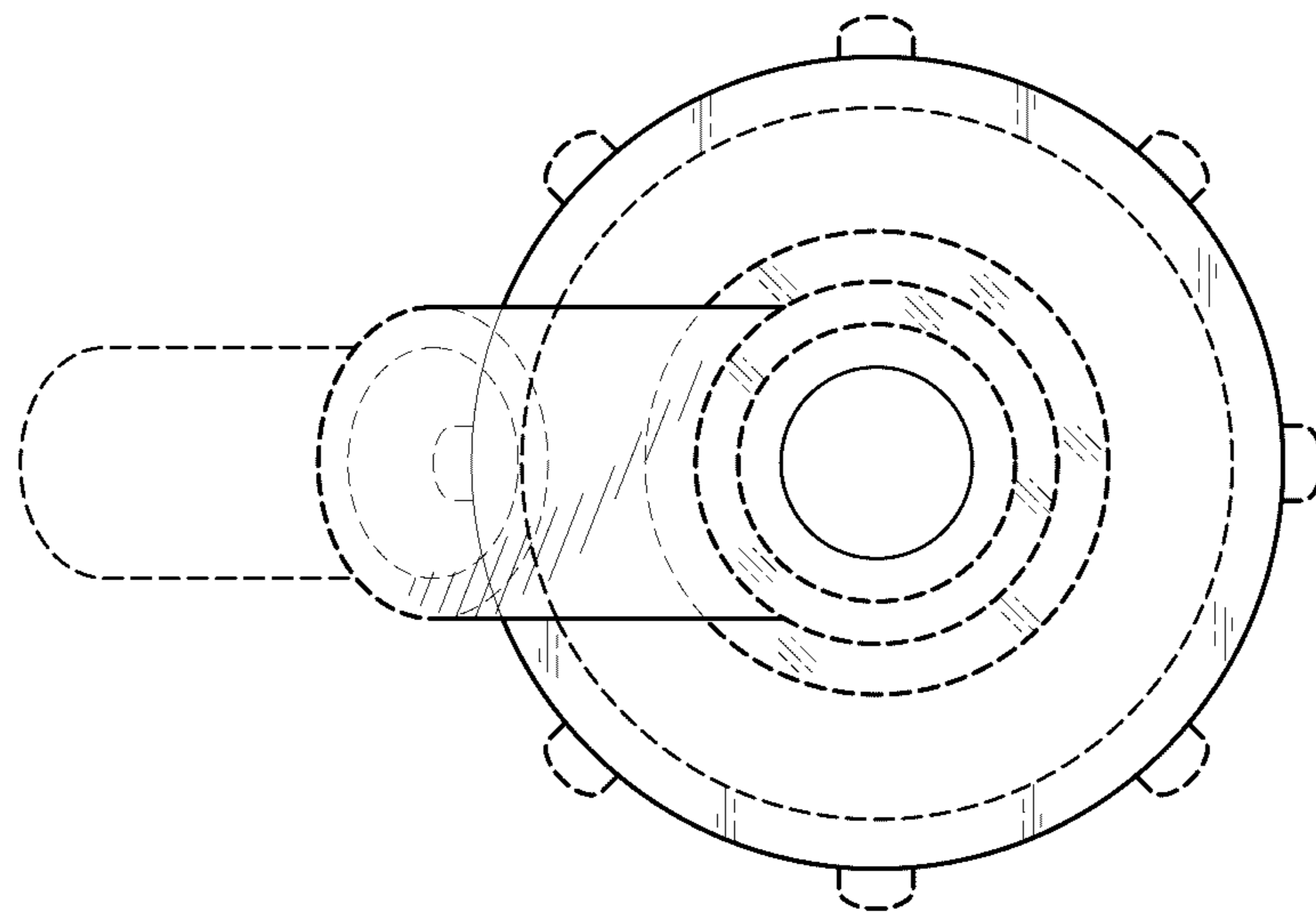


FIG. 7