



US00D774180S

(12) **United States Design Patent** (10) **Patent No.:** **US D774,180 S**
Wu (45) **Date of Patent:** **** Dec. 13, 2016**

(54) **RESPIRATOR**

(71) Applicant: **Tecmen Electronics Co., Ltd.**, Nanjing (CN)

(72) Inventor: **Ziqian Wu**, Nanjing (CN)

(73) Assignee: **Tecmen Electronics Co., Ltd.**, Nanjing (CN)

(**) Term: **15 Years**

(21) Appl. No.: **29/535,280**

(22) Filed: **Aug. 5, 2015**

(30) **Foreign Application Priority Data**

Mar. 12, 2015 (CN) 2015 3 0059094

(51) **LOC (10) Cl.** **29-02**

(52) **U.S. Cl.**
USPC **D24/110**

(58) **Field of Classification Search**
USPC D24/107-108, 110-114, 127, 162, 164,
D24/185-186

CPC A62B 18/00; A62B 18/02; A62B 18/025;
A62B 18/10; A62B 18/08; A62B 23/02

See application file for complete search history.

(56) **References Cited**

U.S. PATENT DOCUMENTS

D203,787 S * 2/1966 Dyer D24/110
D370,256 S * 5/1996 Kurokawa D24/110.5
D449,099 S * 10/2001 Juhlin D23/355
D467,335 S 12/2002 Lithgow et al.
D468,011 S 12/2002 Lithgow et al.
D477,868 S 7/2003 Lithgow et al.
D483,859 S 12/2003 Omholt
D487,311 S 3/2004 Lithgow et al.
D495,796 S * 9/2004 Bogachev D24/110

D497,203 S 10/2004 Lithgow et al.
D544,598 S 6/2007 Lithgow et al.
D549,321 S 8/2007 Snow et al.
D560,795 S 1/2008 Lithgow et al.
D561,330 S 2/2008 Richards et al.
D585,540 S 1/2009 Lithgow et al.
D604,830 S 11/2009 Lithgow et al.
D620,102 S 7/2010 Klien et al.
D626,642 S 11/2010 Virr et al.
D627,044 S 11/2010 Virr et al.
D637,710 S 5/2011 Huh
D646,379 S * 10/2011 Huh D24/110

(Continued)

Primary Examiner — Barbara Fox

Assistant Examiner — Lilyana Bekic

(74) *Attorney, Agent, or Firm* — Leydig, Voit & Mayer, Ltd.

(57) **CLAIM**

The ornamental design for a respirator, as shown and described.

DESCRIPTION

FIG. 1 is a top, front, right side perspective view of a respirator showing my new design;

FIG. 2 is a top plan view of the respirator shown in FIG. 1.

FIG. 3 is a bottom plan view of the respirator shown in FIG. 1;

FIG. 4 is a front elevational view of the respirator shown in FIG. 1;

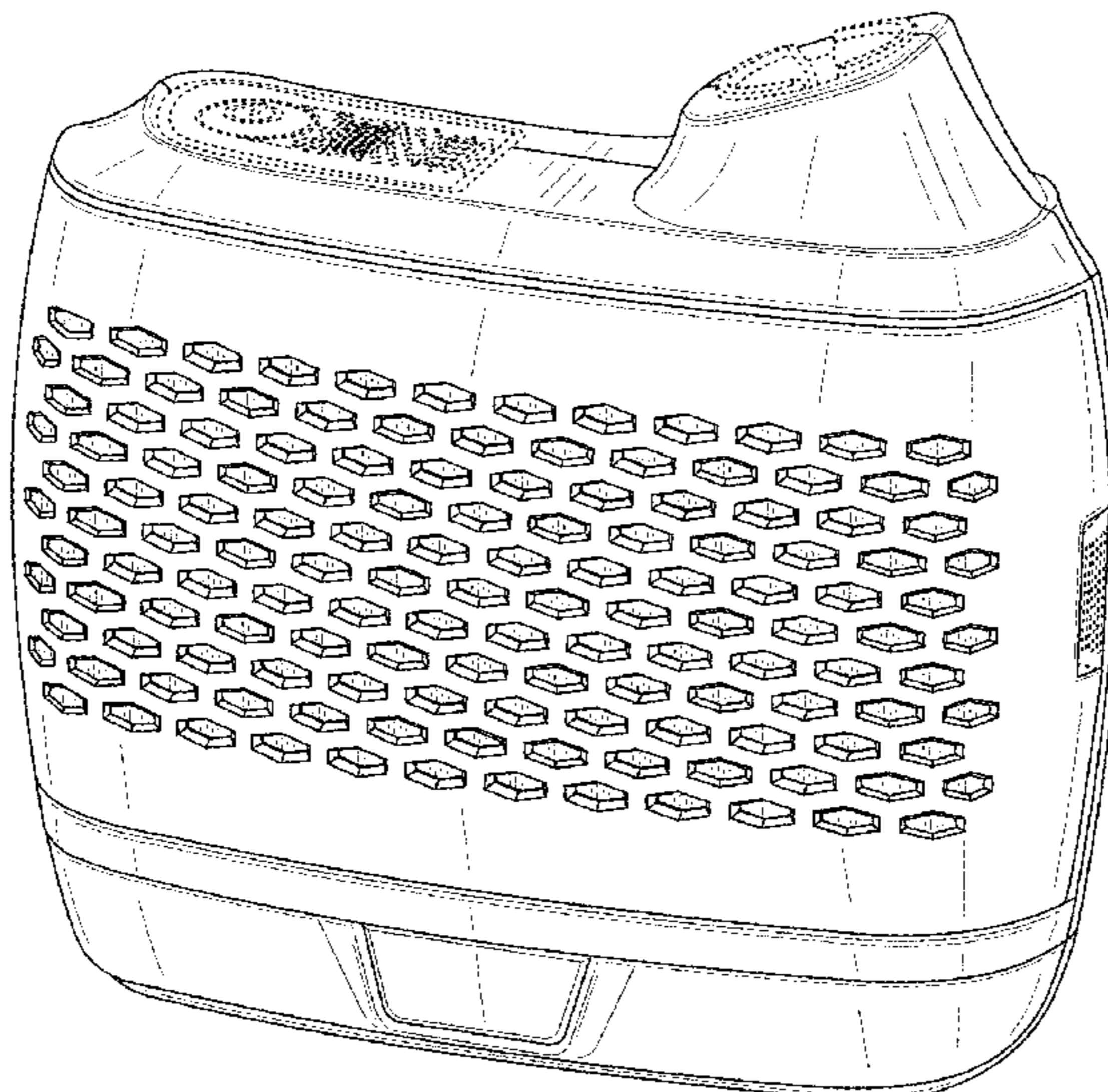
FIG. 5 is a rear elevational view of the respirator shown in FIG. 1;

FIG. 6 is a left elevational side view of the respirator shown in FIG. 1; and,

FIG. 7 is a right elevational side view of the respirator shown in FIG. 1.

The broken lines shown in the drawings represent portions of the respirator that form no part of the claimed design.

1 Claim, 7 Drawing Sheets



(56)

References Cited

U.S. PATENT DOCUMENTS

D658,283	S	4/2012	Burz et al.	
D659,235	S	5/2012	Bertinetti et al.	
D671,206	S	11/2012	McGarrity et al.	
D675,730	S	2/2013	Lithgow et al.	
D679,801	S	4/2013	Abel et al.	
RE44,453	E	8/2013	Virr et al.	
D710,493	S *	8/2014	Wu	D24/110
D710,494	S *	8/2014	Wu	D24/110
D727,511	S *	4/2015	Dehmke	D24/164
D756,519	S *	5/2016	Adams	D24/164
2007/0193582	A1	8/2007	Kwok et al.	
2008/0072900	A1	3/2008	Kenyon et al.	
2009/0223514	A1	9/2009	Smith et al.	
2009/0314295	A1 *	12/2009	Hatmaker	A62B 18/006 128/205.12
2010/0147301	A1	6/2010	Kwok	
2011/0023877	A1	2/2011	Kenyon et al.	
2011/0126713	A1 *	6/2011	Legare	A62B 23/02 96/135
2011/0180068	A1	7/2011	Kenyon et al.	
2014/0166001	A1 *	6/2014	Kooken	A62B 7/10 128/201.25
2015/0114389	A1 *	4/2015	Sernfalt	A62B 9/003 128/202.22
2016/0001102	A1 *	1/2016	Huh	A62B 7/10 128/206.17
2016/0001103	A1 *	1/2016	Huh	A62B 18/02 128/202.22

* cited by examiner

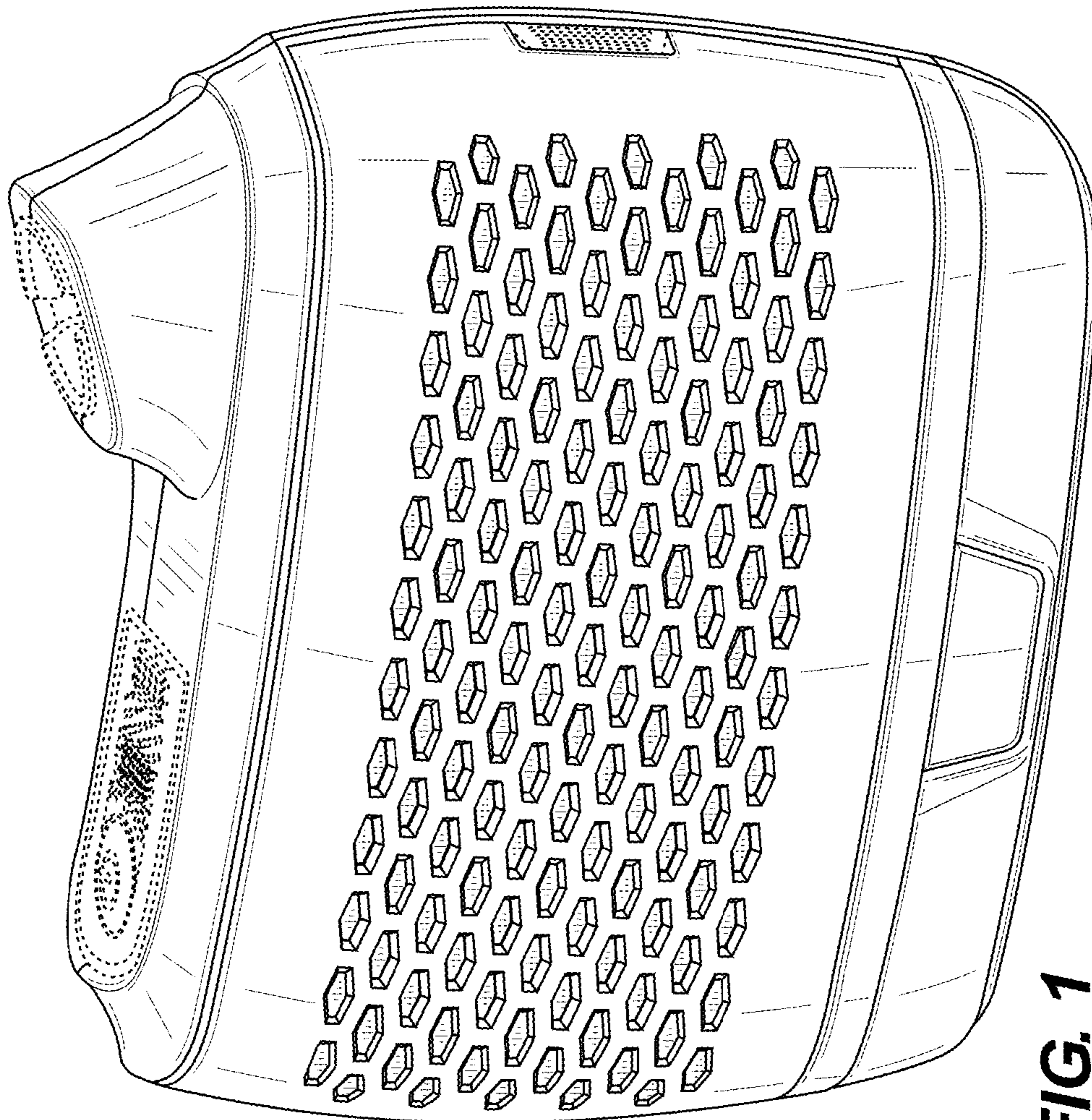


FIG. 1

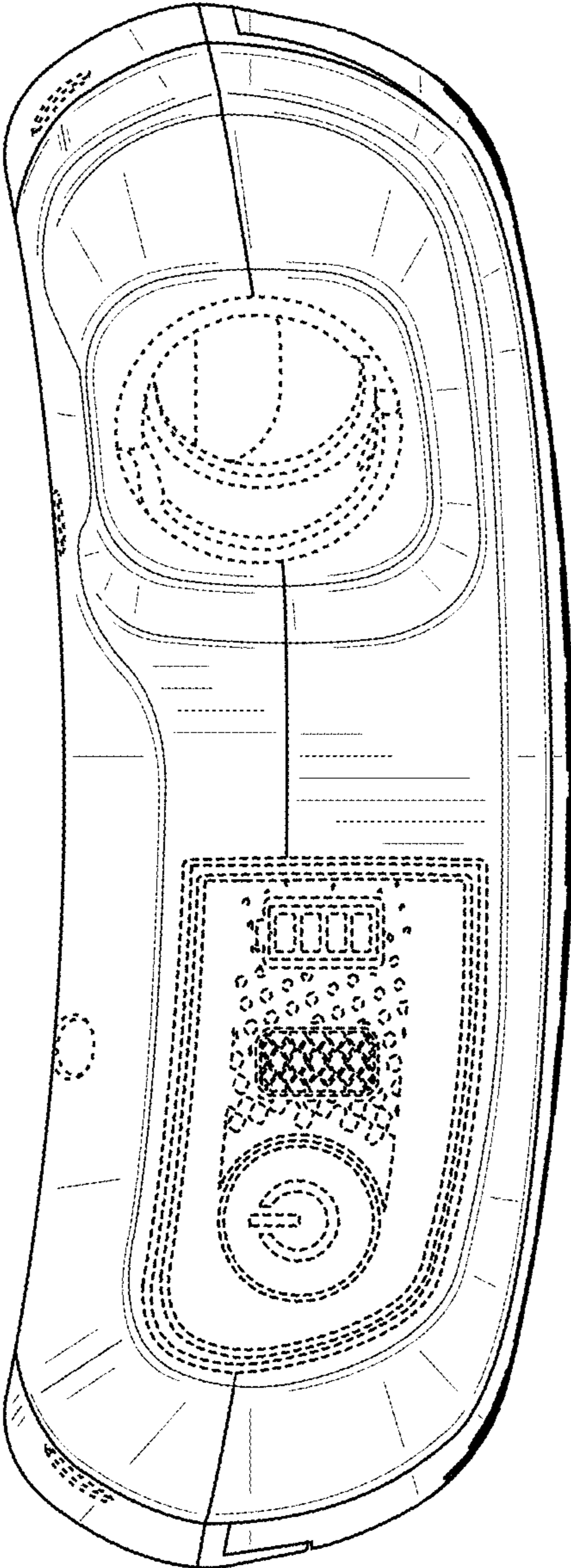


FIG. 2

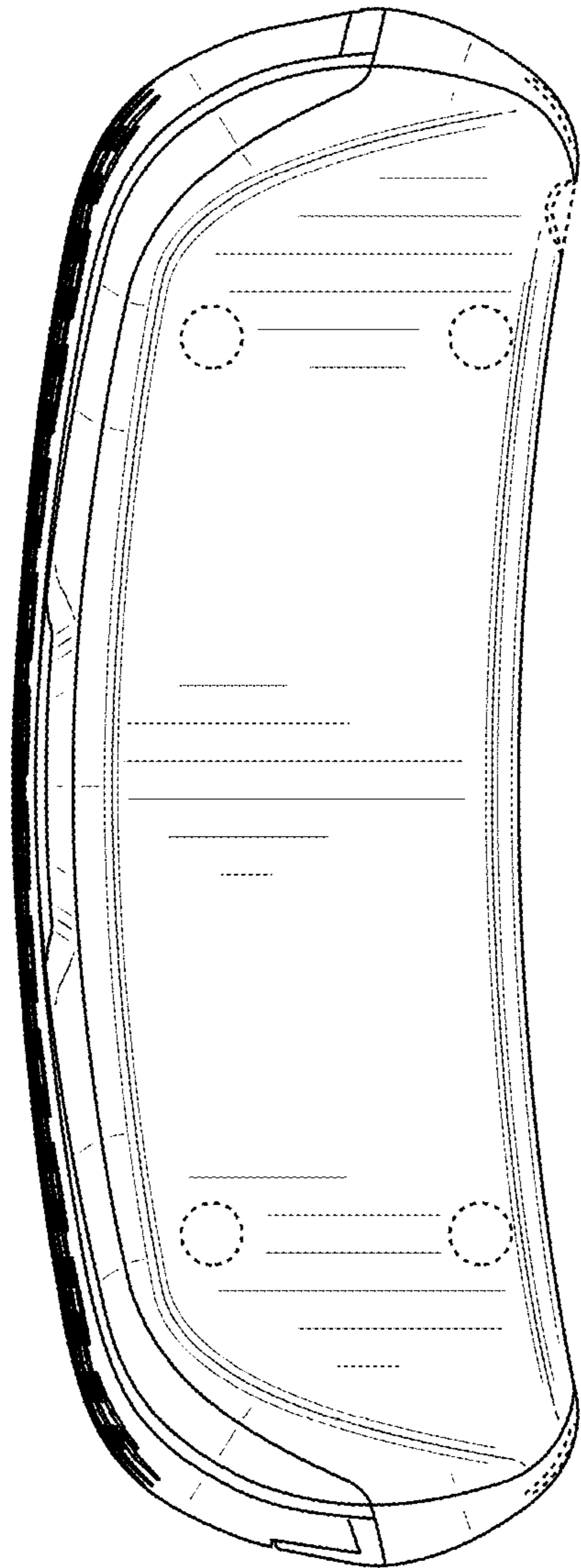


FIG. 3

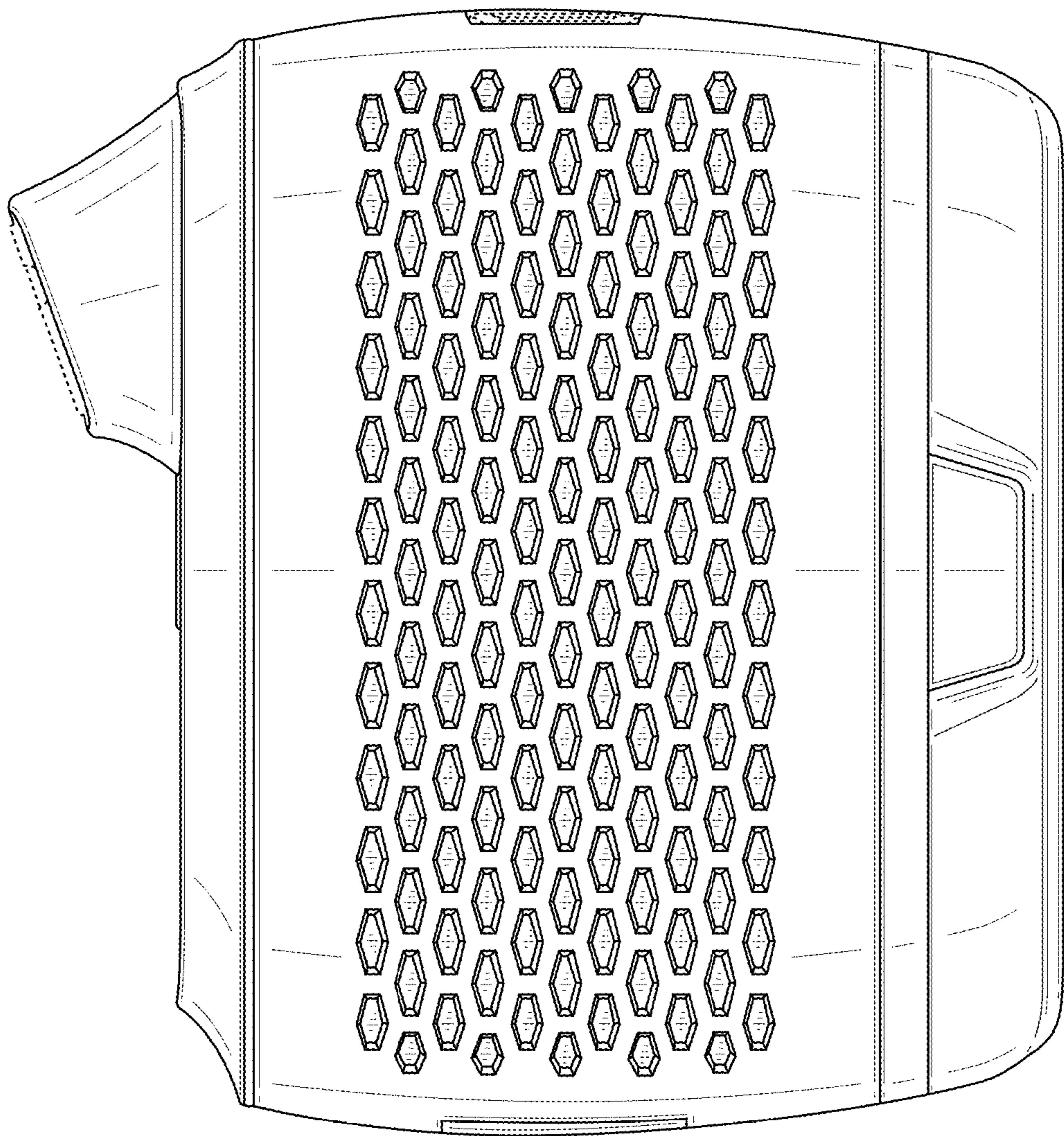


FIG. 4

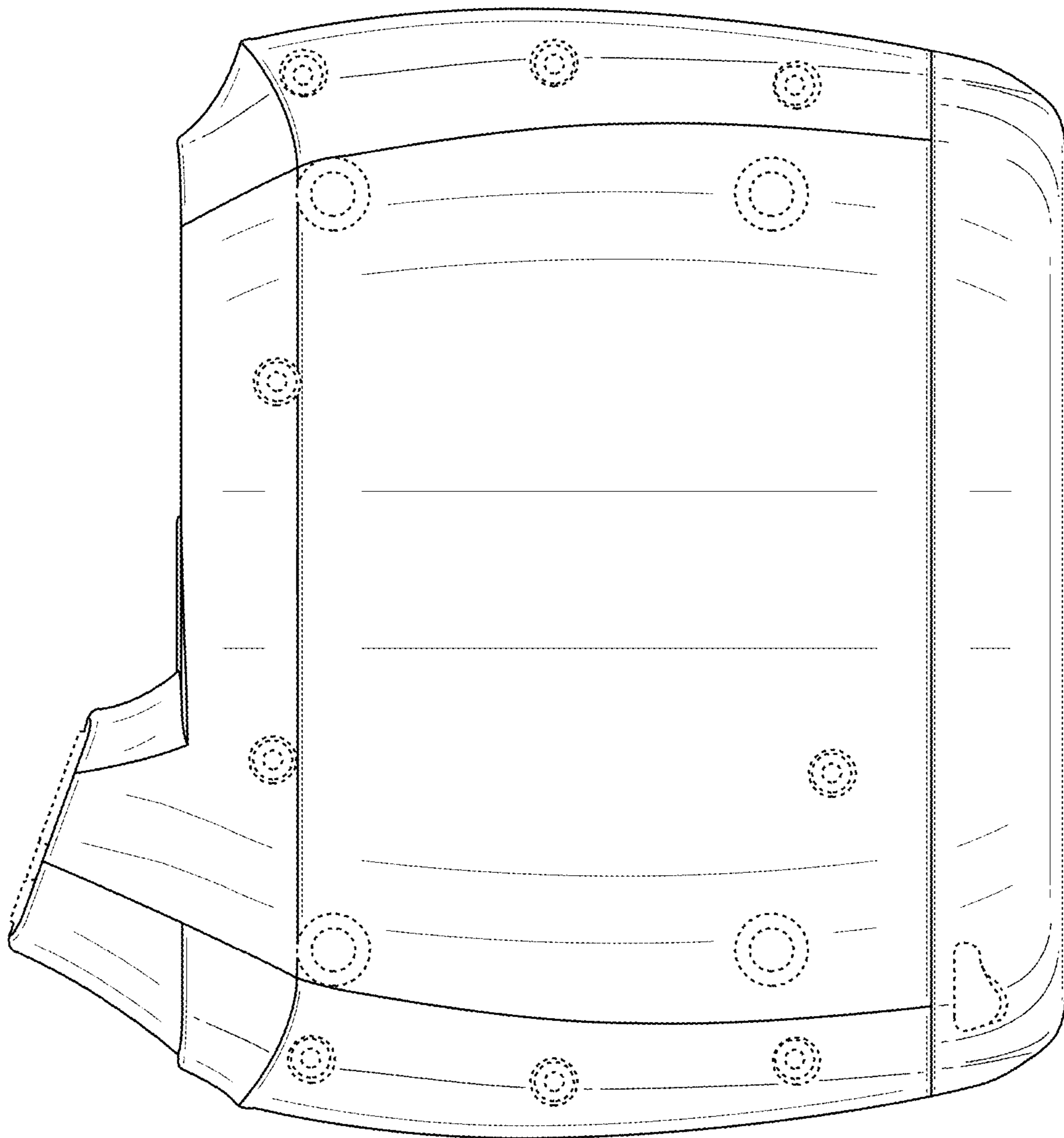


FIG. 5

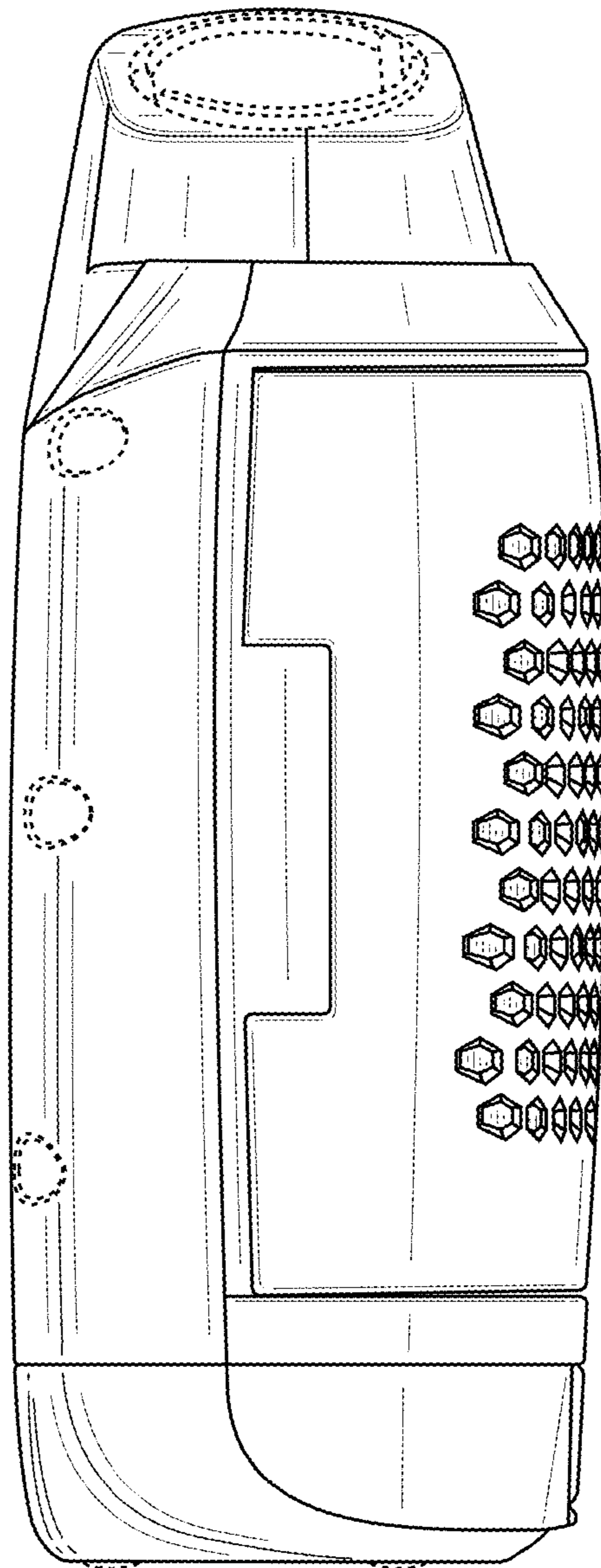


FIG. 6

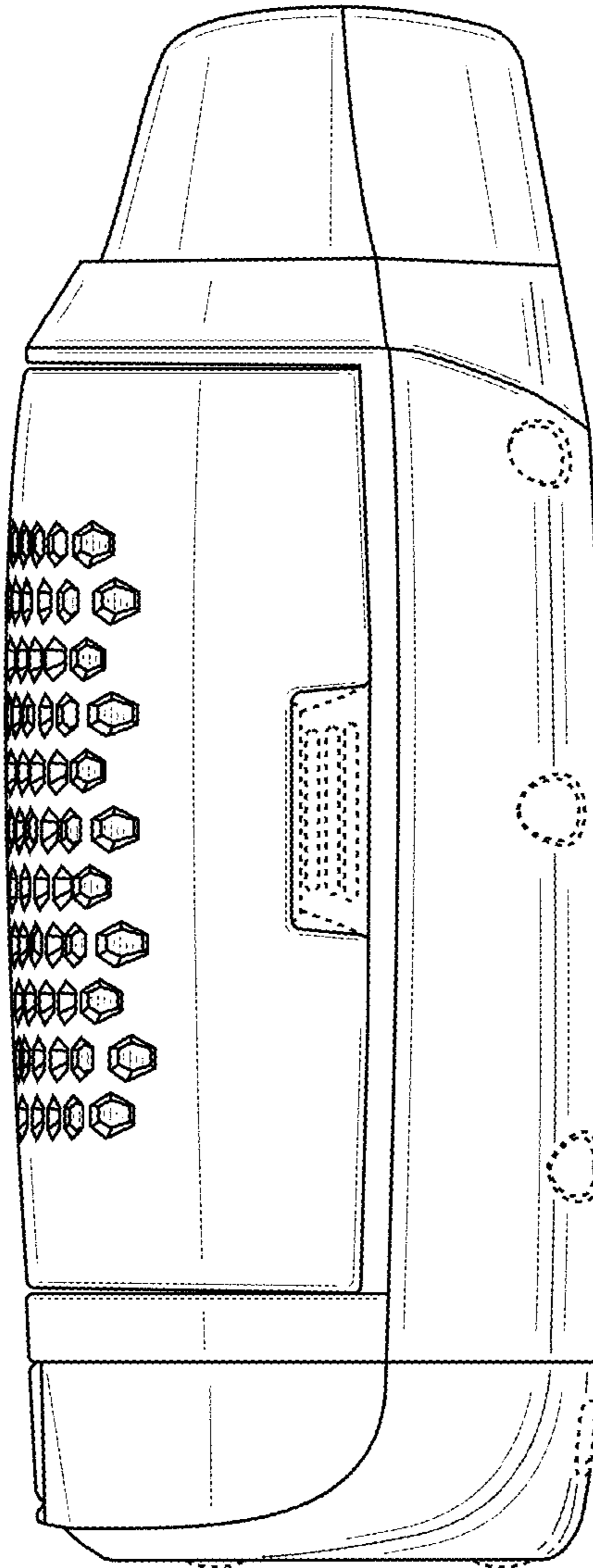


FIG. 7