



US00D774179S

(12) **United States Design Patent** (10) **Patent No.:** **US D774,179 S**
Gosline et al. (45) **Date of Patent:** **** Dec. 13, 2016**

(54) **POSITIVE AIRWAY PRESSURE SOUND REDUCTION DEVICE**

(71) Applicant: **Human Design Medical, LLC**, Allston, MA (US)

(72) Inventors: **Andrew Gosline**, Cambridge, MA (US); **Veaceslav Arabagi**, Cambridge, MA (US); **Kevin Librett**, Watertown, MA (US)

(73) Assignee: **Human Design Medical, LLC**, Allston, MA (US)

(**) Term: **15 Years**

(21) Appl. No.: **29/529,918**

(22) Filed: **Jun. 11, 2015**

(51) **LOC (10) Cl.** **29-02**

(52) **U.S. Cl.**
USPC **D24/110; D24/110.5**

(58) **Field of Classification Search**
USPC D24/107-108, 110-110.1, 110.4-110.6, D24/127, 164; D29/108
CPC A61M 15/00; A61M 15/0065; A61M 15/0091; A61M 15/0021; A61M 15/0026; A61M 11/00; A61M 11/02; A61M 11/04; A61M 11/005; A61M 15/0085; A61M 16/00
See application file for complete search history.

(56) **References Cited**

U.S. PATENT DOCUMENTS

D32,151 S *	1/1900	Stevens	D24/110
D315,583 S *	3/1991	Larson	D21/662
D342,135 S *	12/1993	Goldberger	D24/110
D441,070 S *	4/2001	Niles	D24/110
D442,685 S *	5/2001	Sladek	D24/110
6,253,766 B1 *	7/2001	Niles	A61M 16/08 128/204.24

6,435,176 B1 *	8/2002	Berg	A61M 15/0086 128/200.14
D511,210 S *	11/2005	Cardona Burrull	D24/110.5
D557,788 S *	12/2007	Eloranta	24/110
D574,951 S *	8/2008	Reusch	D24/108
D583,929 S *	12/2008	Reusch	D24/108
D692,122 S *	10/2013	von Hollen	D24/110
D692,555 S *	10/2013	Maksym	D24/110
D745,140 S *	12/2015	Wheeler	D24/110
2014/0299130 A1 *	10/2014	Librett	A61M 16/0066 128/204.18
2014/0299406 A1 *	10/2014	Librett	A61M 16/0069 181/224

* cited by examiner

Primary Examiner — Barbara Fox

Assistant Examiner — Lilyana Bekic

(74) *Attorney, Agent, or Firm* — Ascentage Patent Law, LLC; Travis Lee Johnson; David S. Einfeldt

(57) **CLAIM**

The ornamental design for a positive airway pressure sound reduction device, as shown and described.

DESCRIPTION

FIG. 1 is a side perspective view of a positive airway pressure sound reduction device in accordance with the claimed design;

FIG. 2 is an exploded side view of the positive airway pressure sound reduction device of FIG. 1 illustrating the internal structure of a cap assembly and hose interface;

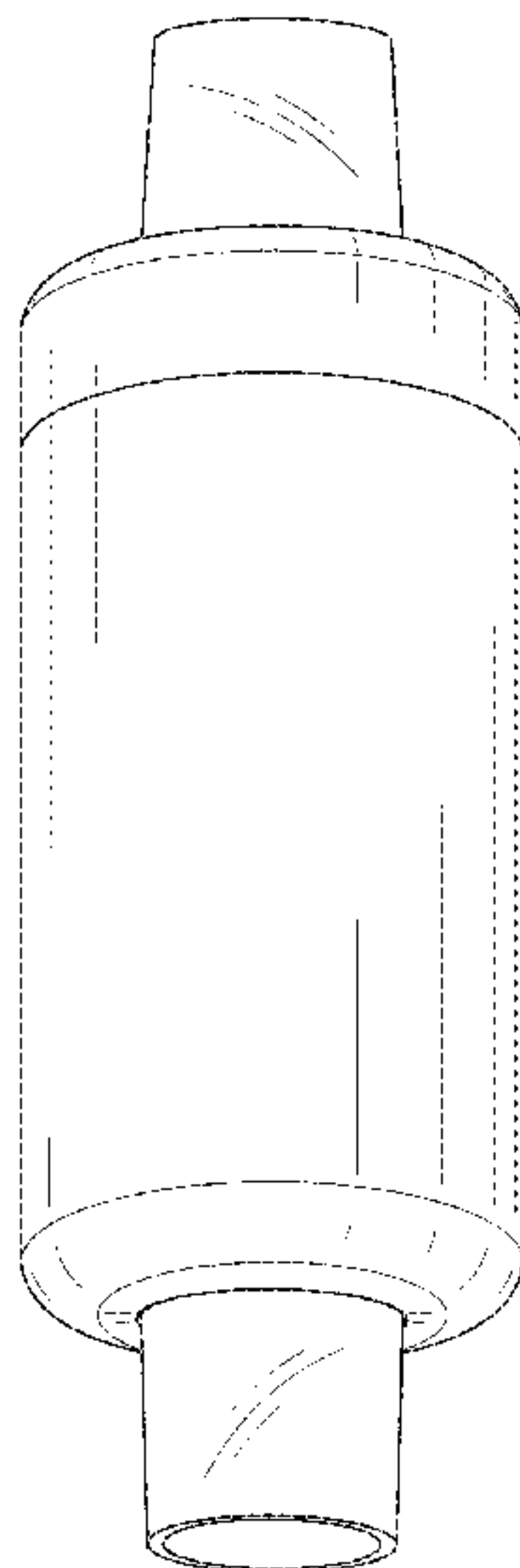
FIG. 3 is a side view of the positive airway pressure sound reduction device of FIG. 1;

FIG. 4 is a top view of the positive airway pressure sound reduction device of FIG. 1 as seen from the cap end; and,

FIG. 5 is a top view of the hose interface as shown in FIG. 2.

The broken lines in the drawings illustrate portions of the positive airway pressure sound reduction device that form no part of the claimed design.

1 Claim, 3 Drawing Sheets



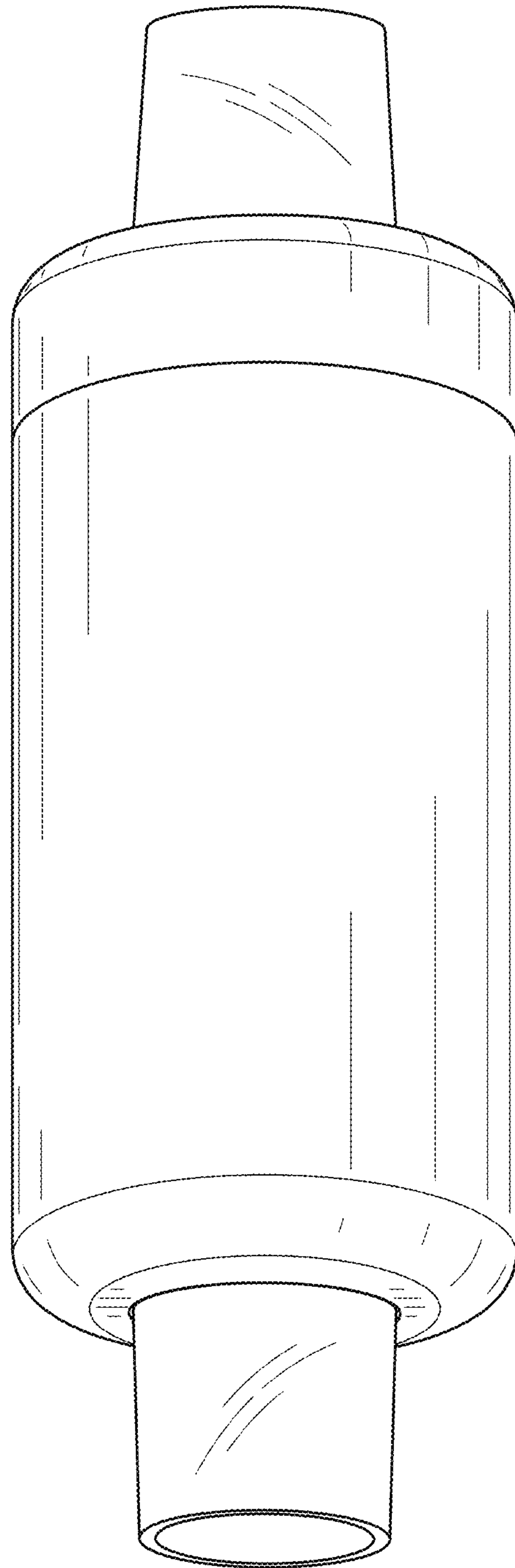


FIG. 1

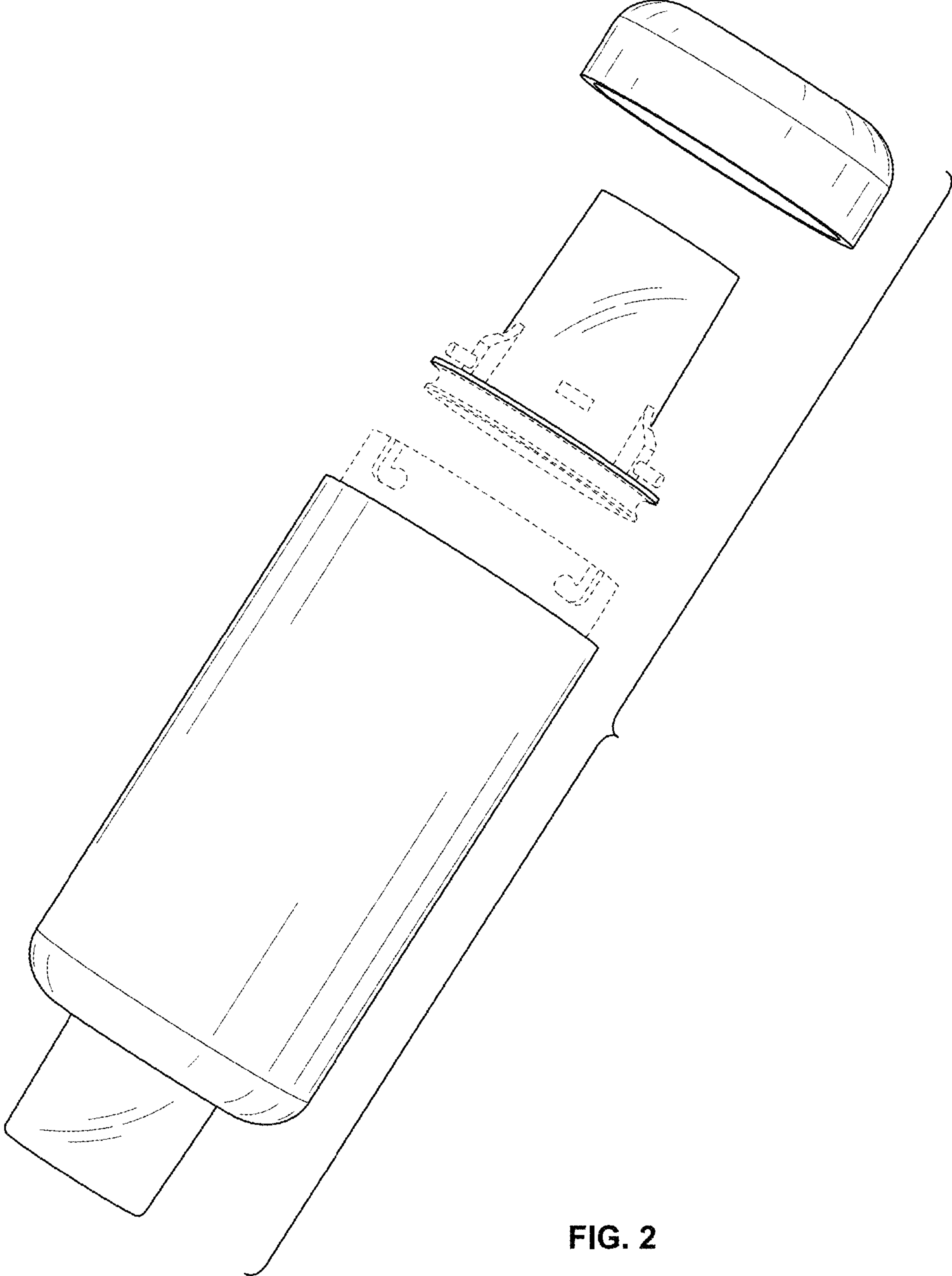


FIG. 2

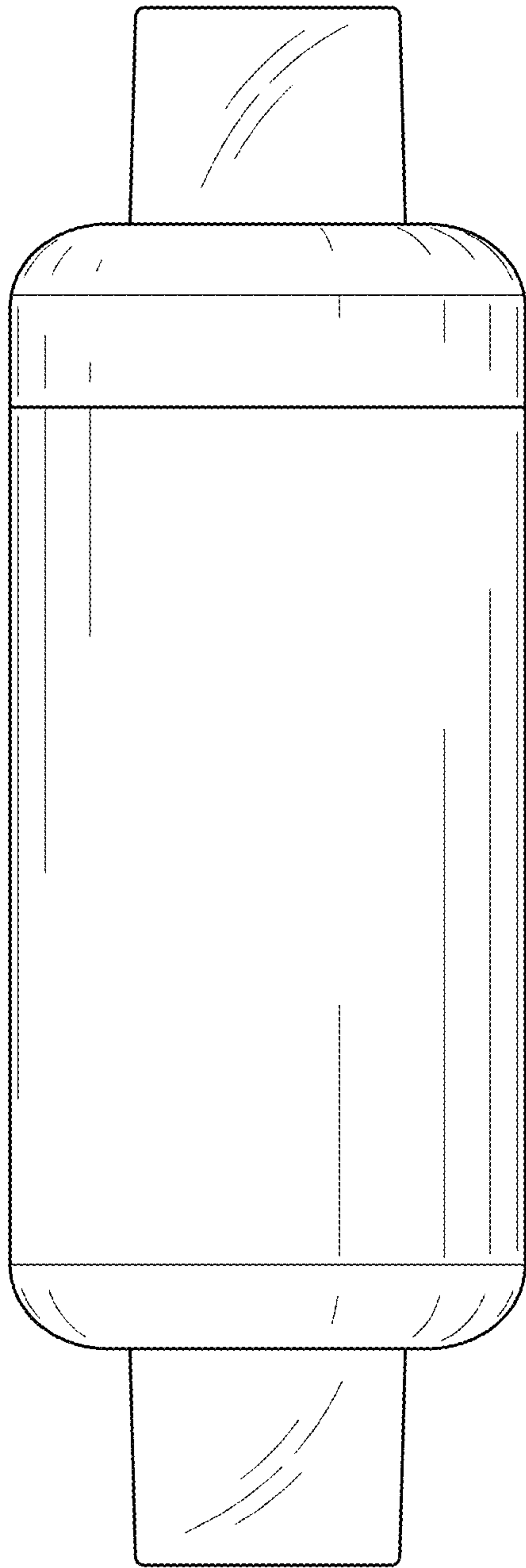


FIG. 3

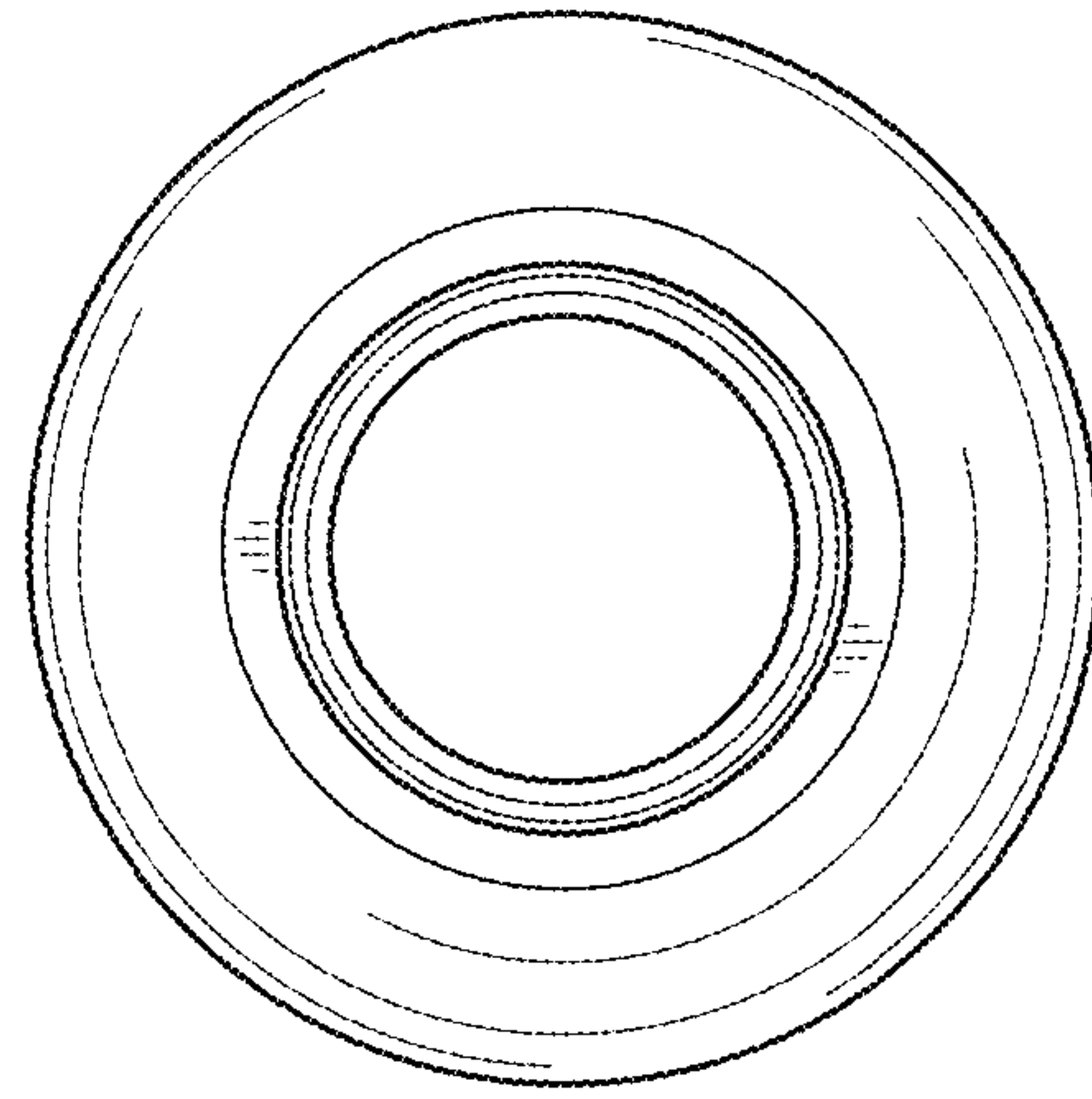


FIG. 4

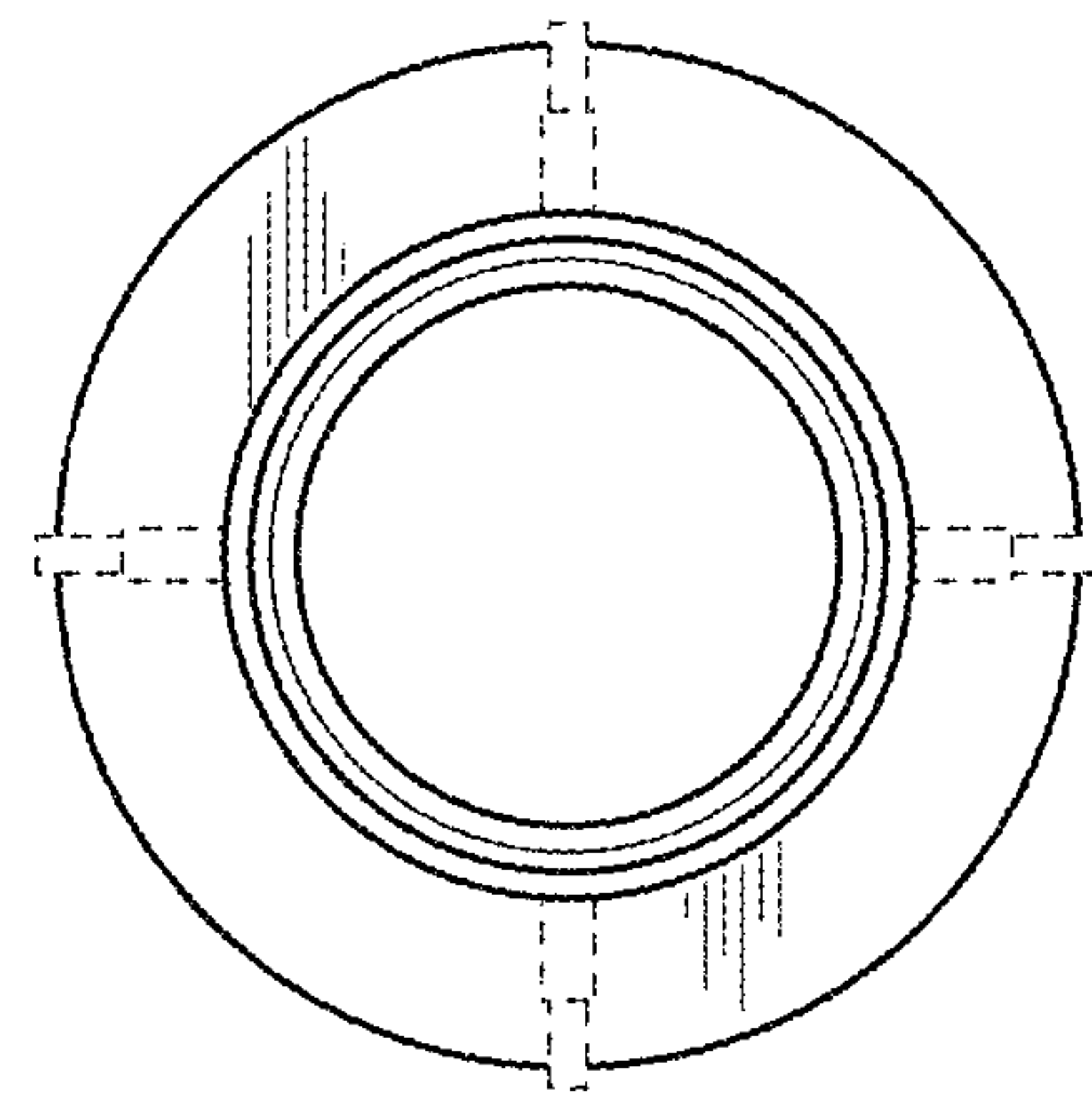


FIG. 5