



US00D774178S

(12) **United States Design Patent** (10) **Patent No.:** **US D774,178 S**
Van Sickle et al. (45) **Date of Patent:** **** Dec. 13, 2016**

(54) **USAGE MONITORING ATTACHMENT FOR A DRY POWDER INHALER**

(71) Applicant: **Reciprocal Labs Corporation**,
Madison, WI (US)
(72) Inventors: **John David Van Sickle**, Oregon, WI (US); **Greg Tracy**, Madison, WI (US); **Eric Hoffman**, Middleton, WI (US); **Leah Morrell**, Madison, WI (US); **Ben Kopp**, Madison, WI (US); **Sam Koblenki**, Madison, WI (US); **David Hubanks**, Madison, WI (US)

(73) Assignee: **Reciprocal Labs Corporation**,
Madison, WI (US)

(**) Term: **14 Years**

(21) Appl. No.: **29/520,064**

(22) Filed: **Mar. 10, 2015**

(51) **LOC (10) Cl.** **29-02**

(52) **U.S. Cl.**
USPC **D24/110**

(58) **Field of Classification Search**
USPC D24/107, 108, 110, 111, 127, 164
CPC A61M 15/00; A61M 15/009; A61M 15/0065;
A61M 15/0091; A61M 15/0021; A61M 15/0026; A61M 11/00; A61M 2202/064
See application file for complete search history.

(56) **References Cited**

U.S. PATENT DOCUMENTS

D342,994 S *	1/1994	Rand	D24/110
5,363,842 A *	11/1994	Mishelevich	A61B 8/0875
				128/200.14
5,505,192 A *	4/1996	Samiotes	A61M 15/008
				128/200.14
D455,207 S *	4/2002	Gross	D24/108
D456,074 S *	4/2002	McCurry	D24/110

(Continued)

OTHER PUBLICATIONS

Engel, Jeff. FDA Clears 2 New Propeller Health Devices that Track Respiratory Meds. Xconomy. Jul. 22, 2015. <<http://www.xconomy.com/wisconsin/2015/07/22/fda-clears-2-new-propeller-health-devices-that-track-respiratory-meds/>>.*

Primary Examiner — Barbara Fox
Assistant Examiner — Lilyana Bekic
(74) *Attorney, Agent, or Firm* — Fenwick & West LLP

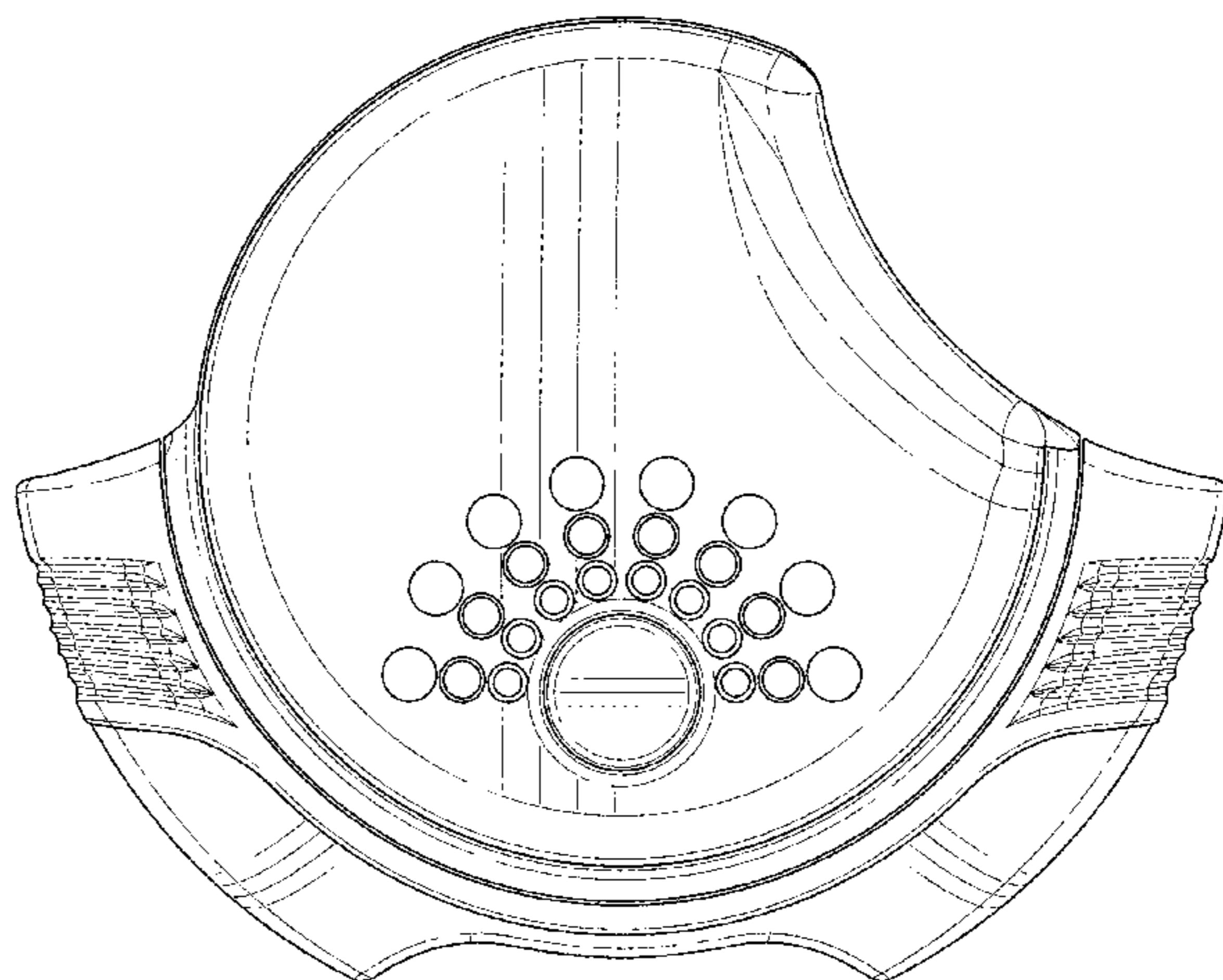
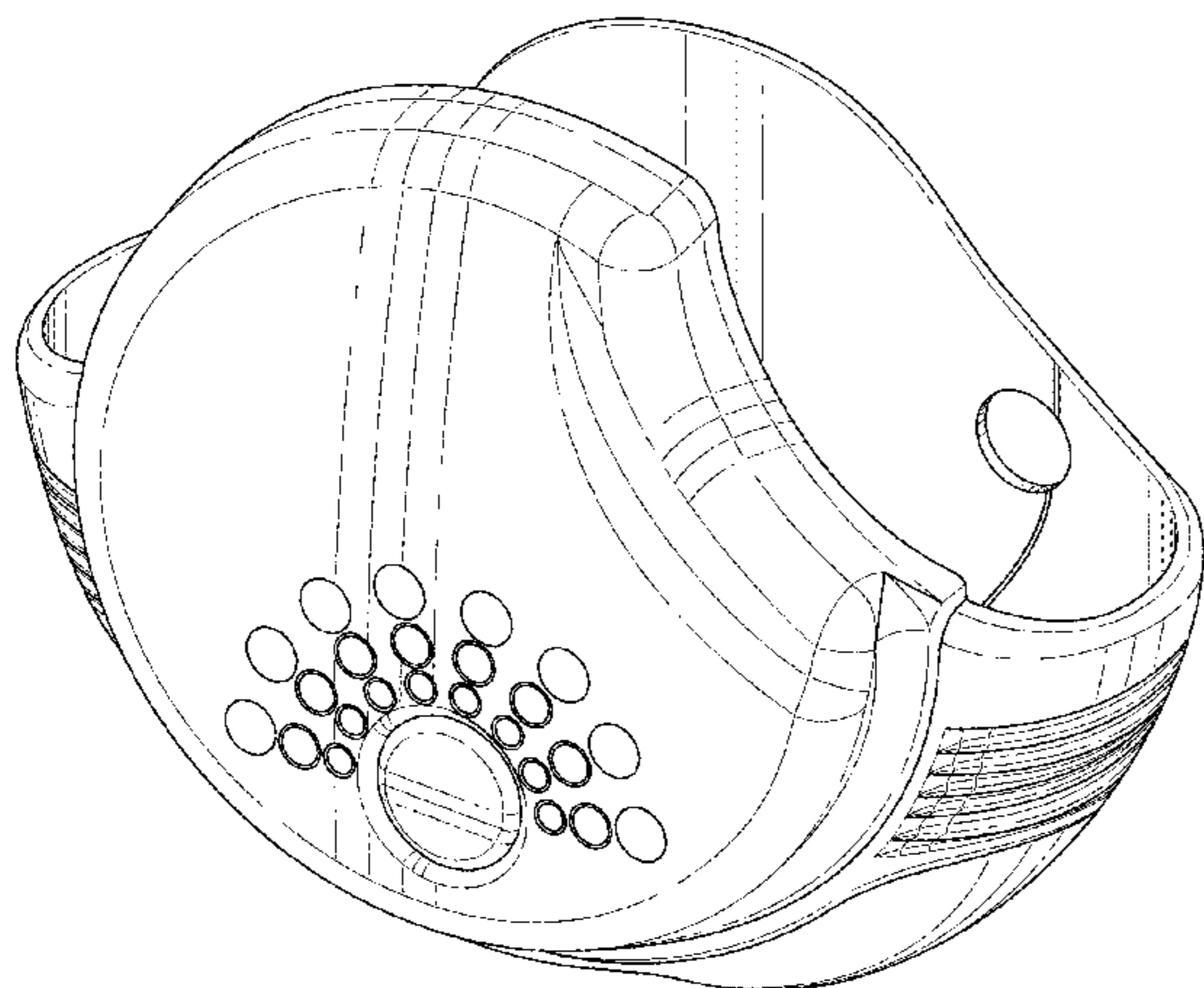
(57) **CLAIM**

We claim the ornamental design for a usage monitoring attachment for a dry powder inhaler, as shown and described.

DESCRIPTION

FIG. 1 is a perspective view of a usage monitoring attachment for a dry powder inhaler showing our new design. FIG. 2 is a front view of the usage monitoring attachment for a dry powder inhaler. FIG. 3 is a rear view of the usage monitoring attachment for a dry powder inhaler. FIG. 4 is a left side view of the usage monitoring attachment for a dry powder inhaler. FIG. 5 is a right side view of the usage monitoring attachment for a dry powder inhaler. FIG. 6 is a top view of the usage monitoring attachment for a dry powder inhaler; and, FIG. 7 is a bottom view of the usage monitoring attachment for a dry powder inhaler. The dash-dot-dash broken lines represent the boundary of the claimed design and form no part thereof. The dash-dash broken lines illustrate portions of the usage monitoring attachment for a dry powder inhaler which form no part of the claimed design.

1 Claim, 7 Drawing Sheets



(56)

References Cited

U.S. PATENT DOCUMENTS

6,958,691	B1 *	10/2005	Anderson	A61B 5/0002				
						128/200.14			
D613,848	S *	4/2010	Harvey	D24/110				
D637,280	S *	5/2011	Harvey	D24/110				
D637,281	S *	5/2011	Harvey	D24/110				
D637,282	S *	5/2011	Harvey	D24/110				
D667,105	S *	9/2012	Zuyderhoudt	D24/110				
D684,254	S *	6/2013	Zuyderhoudt	D24/110				
D693,458	S *	11/2013	Wright	D24/110				
8,807,131	B1 *	8/2014	Tunnell	A61M 16/0051				
						128/200.14			
D737,425	S *	8/2015	Wieczorek	D24/110				
2004/0035420	A1 *	2/2004	Davies	A61M 15/0028				
						128/203.15			
2004/0134488	A1 *	7/2004	Davies	A61M 15/009				
						128/200.23			
2005/0174216	A1 *	8/2005	Lintell	340/309.16				
2005/0177275	A1 *	8/2005	Harvey	G04F 1/005				
						700/244			
2006/0130838	A1 *	6/2006	Lee	A61B 5/087				
						128/205.23			
2007/0052544	A1 *	3/2007	Lintell	340/815.4				
2007/0125372	A1 *	6/2007	Chen	A61M 15/0065				
						128/200.23			
2010/0192948	A1 *	8/2010	Sutherland	A61M 15/0065				
						128/203.15			
2010/0250280	A1 *	9/2010	Sutherland	A61M 15/0065				
						705/3			
2011/0253139	A1 *	10/2011	Guthrie	A61M 15/009				
						128/203.14			
2012/0097161	A1 *	4/2012	Keegstra	A61M 15/0045				
						128/203.15			
2012/0097162	A1 *	4/2012	Keegstra	A61M 15/0045				
						128/203.15			
2012/0167881	A1 *	7/2012	Keegstra	A61M 15/0045				
						128/203.15			
2012/0260917	A1 *	10/2012	Bilgic	A61M 15/0045				
						128/203.15			
2013/0008436	A1 *	1/2013	Von Hollen	A61M 15/0086				
						128/200.14			
2013/0092158	A1 *	4/2013	Levy	A61M 15/009				
						128/200.23			

* cited by examiner

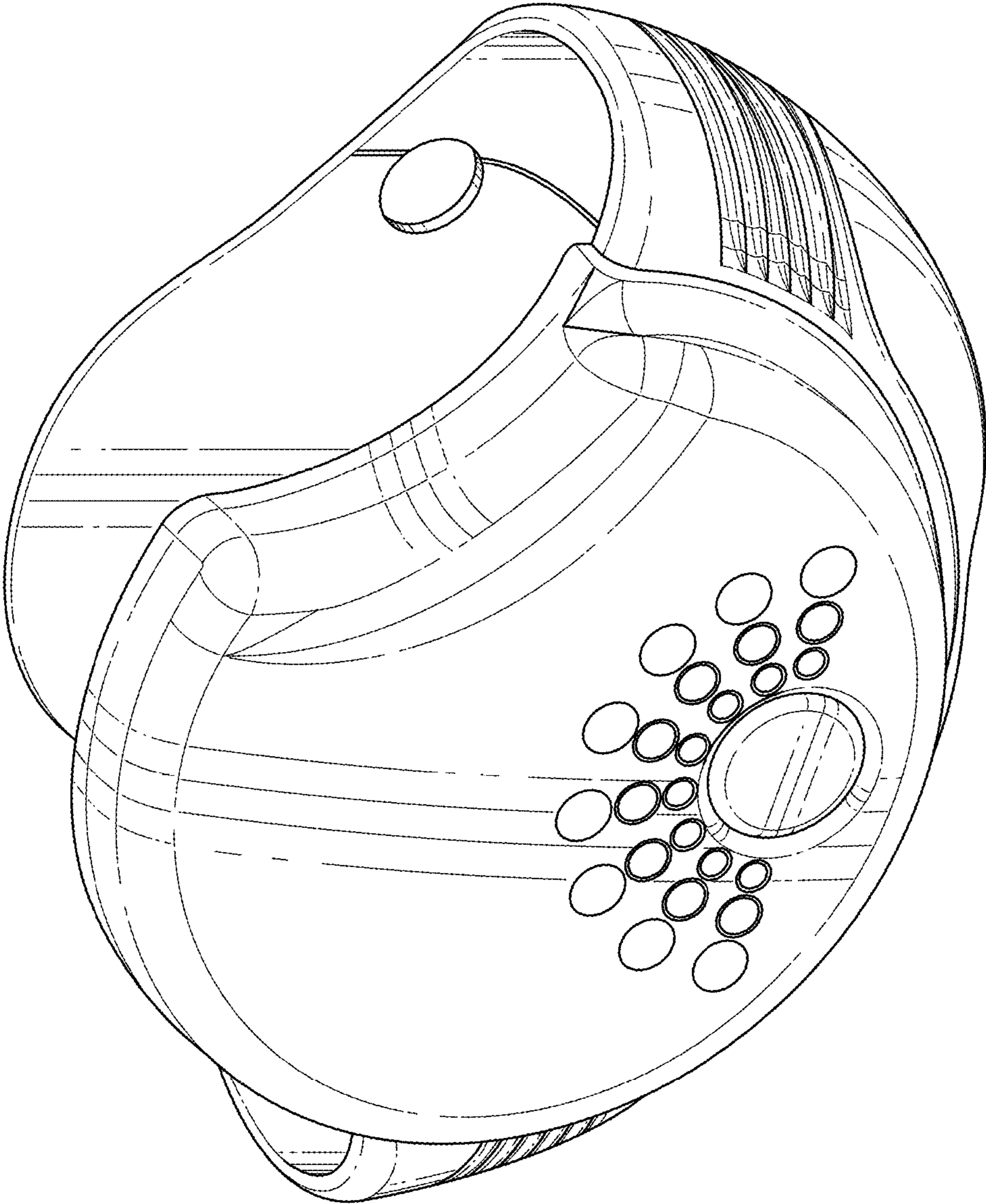


FIG. 1

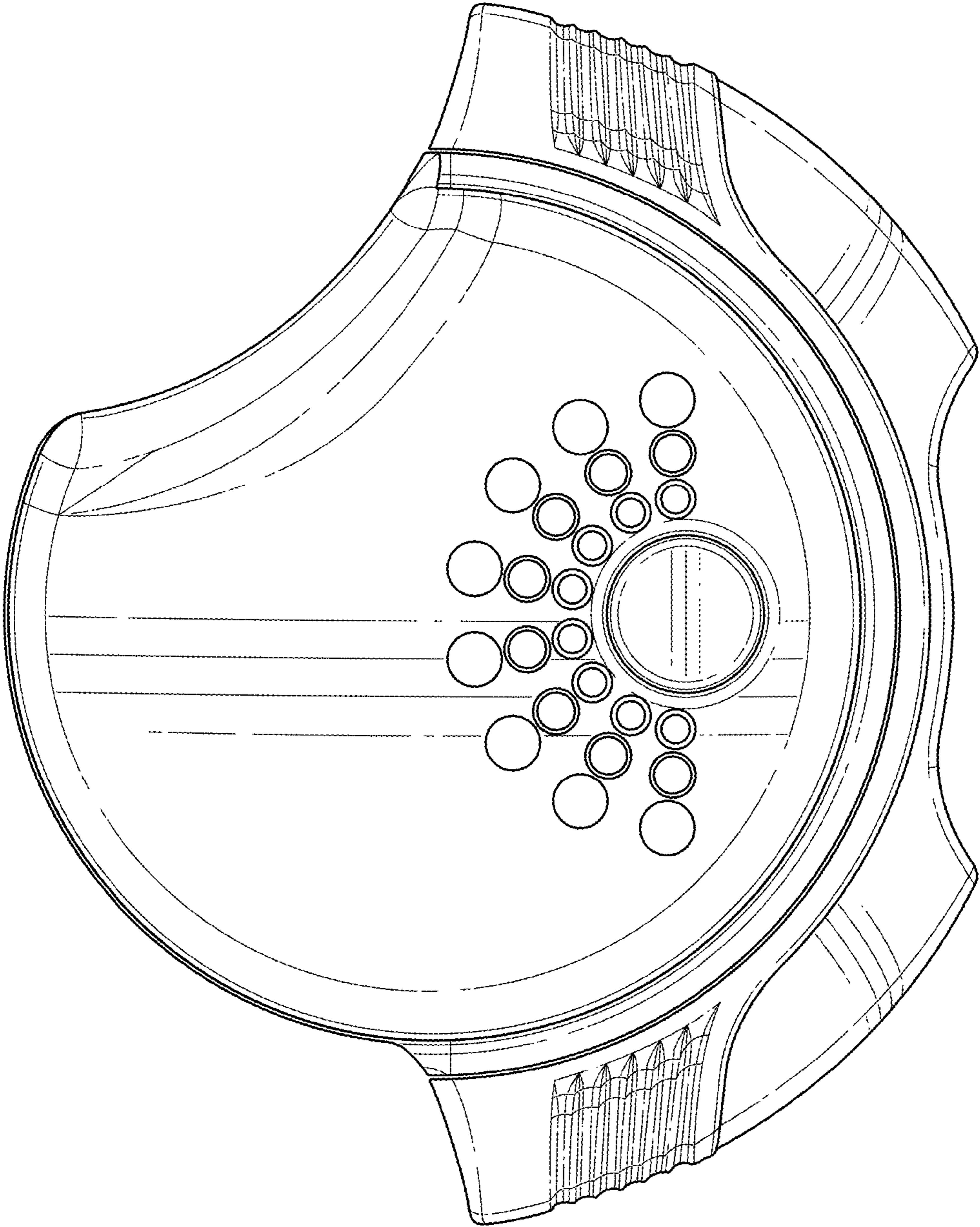


FIG. 2

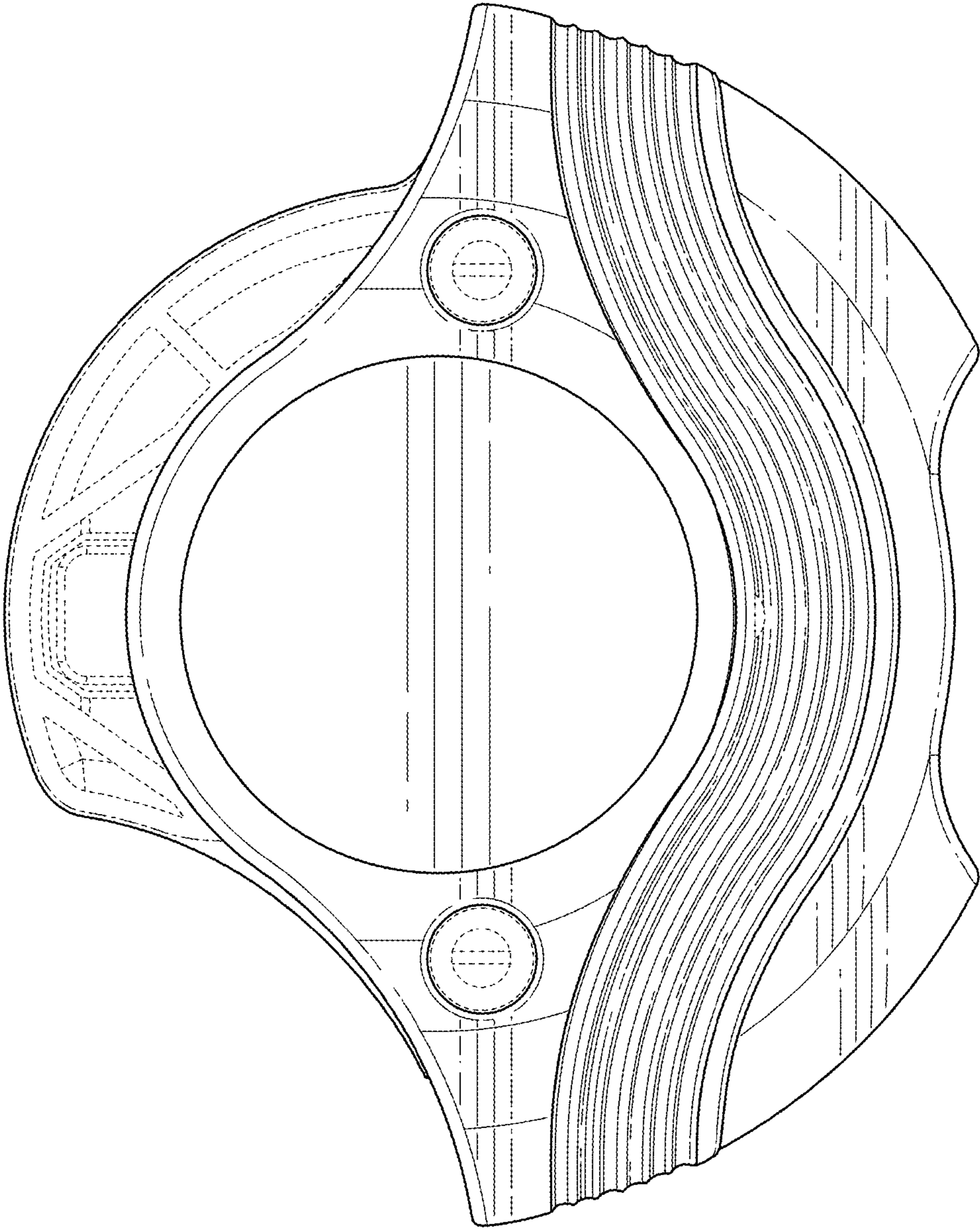


FIG. 3

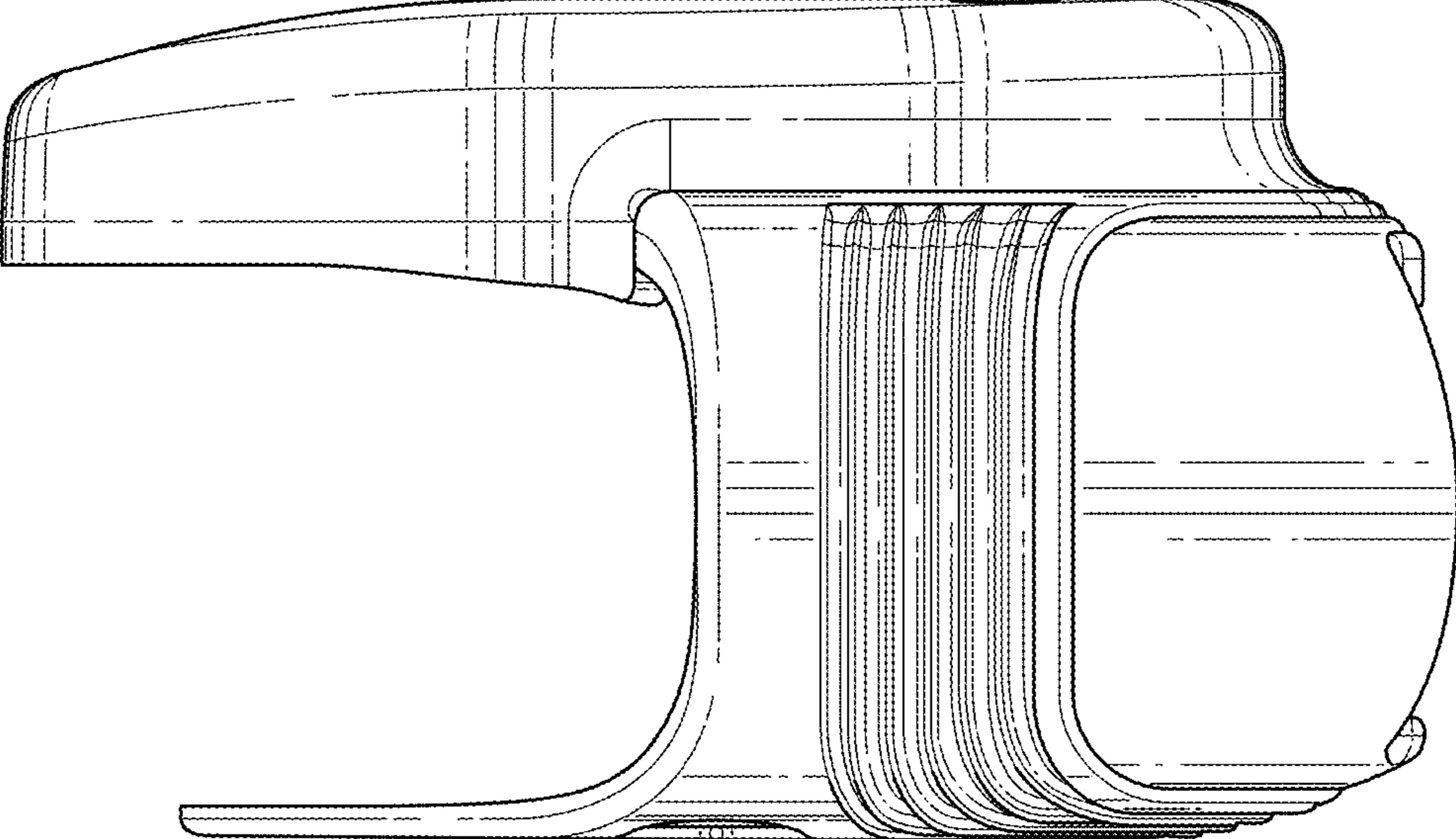


FIG. 4

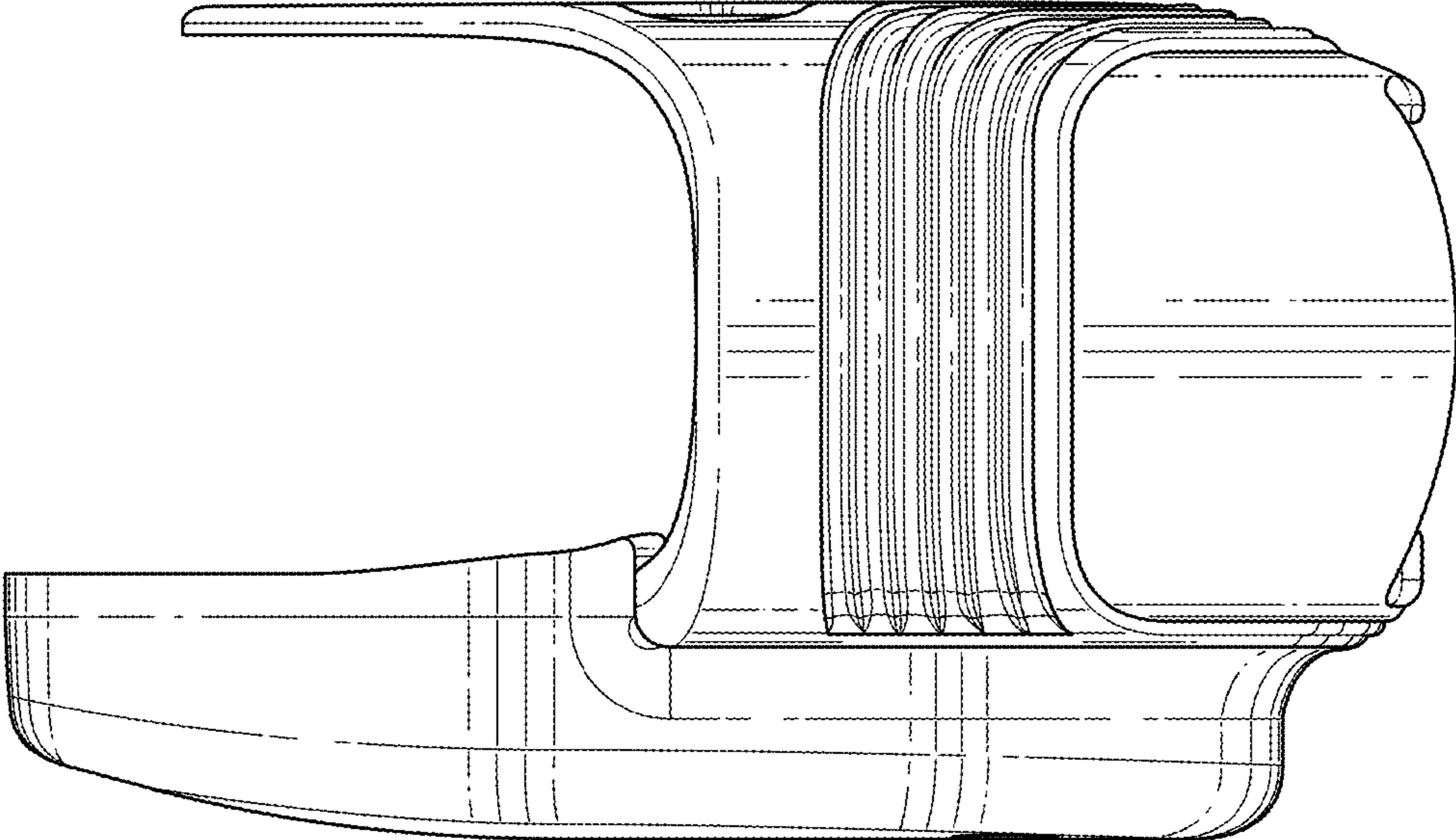


FIG. 5

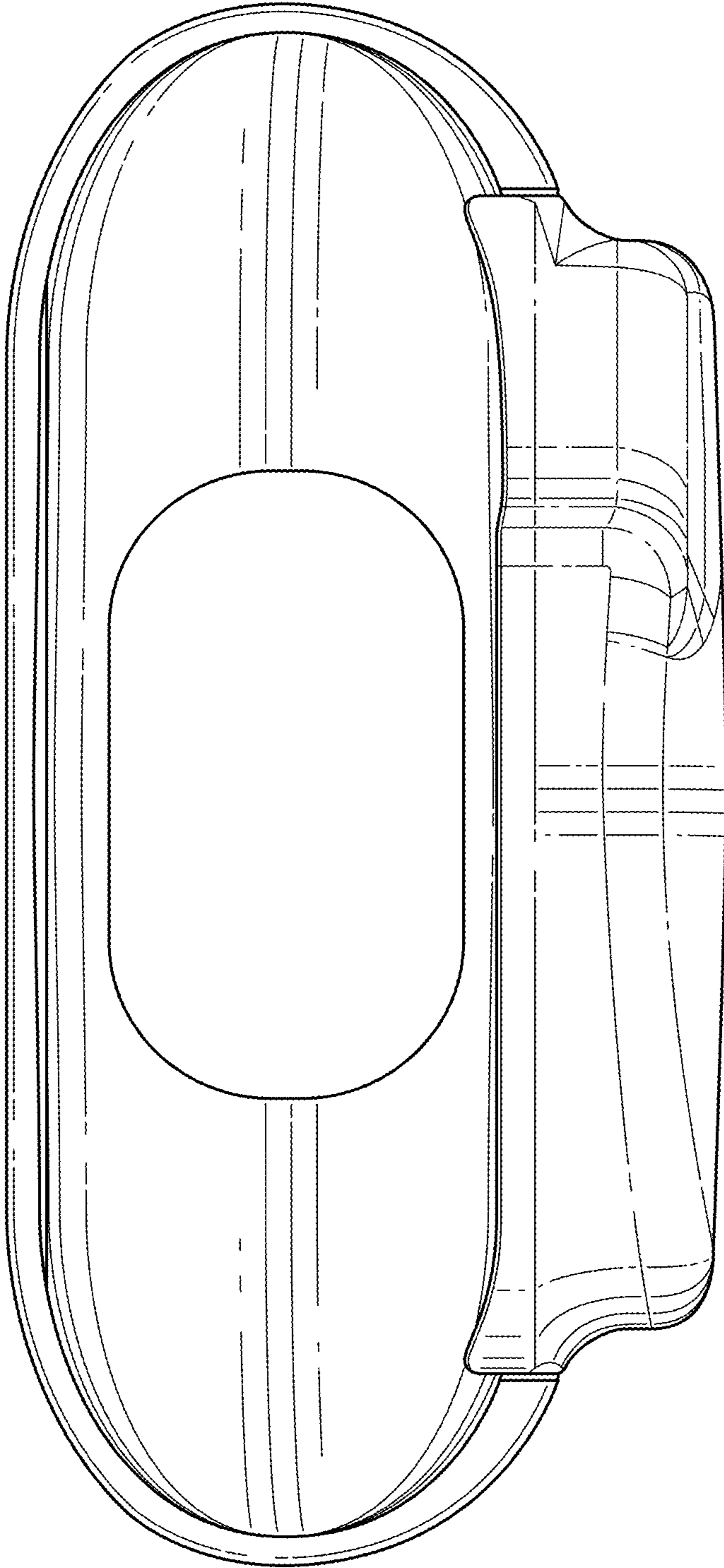


FIG. 6

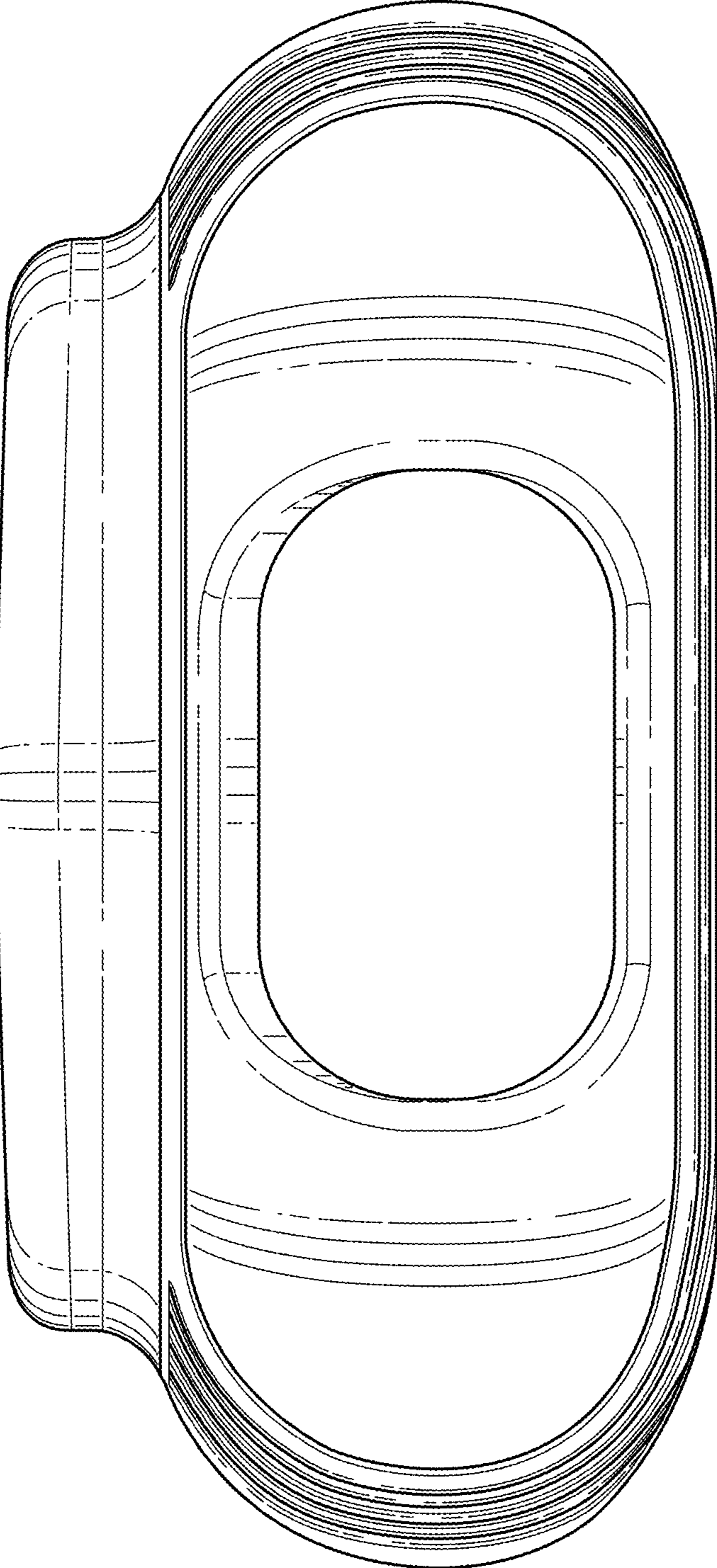


FIG. 7