



US00D774177S

(12) **United States Design Patent**  
**Pick**

(10) **Patent No.:** **US D774,177 S**

(45) **Date of Patent:** **\*\* Dec. 13, 2016**

- (54) **EARPLUG**
- (71) Applicant: **Bumble BE Holdings, LLC**, Los Angeles, CA (US)
- (72) Inventor: **Douglas Pick**, Aliso Viejo, CA (US)
- (73) Assignee: **Bumble BE Holdings, LLC**, Los Angeles, CA (US)
- (\*\*) Term: **15 Years**
- (21) Appl. No.: **29/529,275**
- (22) Filed: **Jun. 5, 2015**
- (51) **LOC (10) Cl.** ..... **24-04**
- (52) **U.S. Cl.**  
USPC ..... **D24/106**
- (58) **Field of Classification Search**  
USPC ..... D24/105, 106, 141, 173, 174; D14/205, D14/206, 223; D19/138, 187; D29/112  
CPC ..... A61F 11/08; A61F 2011/085; A61F 11/10  
See application file for complete search history.

6,440,339	B1	8/2002	Magidson et al.	
D481,118	S	10/2003	Doty et al.	
D512,141	S	11/2005	Mishkin et al.	
6,981,504	B2	1/2006	Jenkins, Jr.	
D521,637	S	5/2006	Yang	
D529,169	S	9/2006	Ryan	
7,107,993	B2	9/2006	Magidson	
D535,644	S	1/2007	Drambarean et al.	
D536,089	S	1/2007	Magidson et al.	
7,305,992	B2	12/2007	Fleming	
7,314,047	B2	1/2008	Falco	
D592,300	S	5/2009	Yeh	
7,537,011	B2	5/2009	Falco	
D606,189	S	12/2009	Lajtai	
7,697,706	B2	4/2010	Doty	
D624,999	S	10/2010	Turdjian et al.	
7,967,015	B2	6/2011	Jenkins, Jr.	
7,984,716	B2	7/2011	Purcell et al.	
8,113,207	B2	2/2012	Gehling et al.	
8,161,975	B2	4/2012	Turdjian	
D684,253	S *	6/2013	Ryan	D24/106
D697,612	S *	1/2014	Pick	D24/106

(Continued)

Primary Examiner — Ian Simmons  
Assistant Examiner — Richelle G Shelton  
(74) Attorney, Agent, or Firm — Risso & Associates

(56) **References Cited**  
U.S. PATENT DOCUMENTS

4,774,938	A	10/1988	Leight	
4,867,149	A	9/1989	Falco	
D307,636	S *	5/1990	Gardner, Jr.	D24/106
5,036,681	A	8/1991	Schaerer	
5,113,967	A	5/1992	Killion et al.	
5,904,143	A	5/1999	Magidson et al.	
5,957,136	A	9/1999	Magidson et al.	
5,988,313	A	11/1999	Hakansson	
6,006,857	A	12/1999	Leight et al.	
D427,304	S	6/2000	Magidson et al.	
D435,645	S	12/2000	Westerdal	
D437,048	S	1/2001	Hirshfeld	
6,264,870	B1	7/2001	Hakansson	

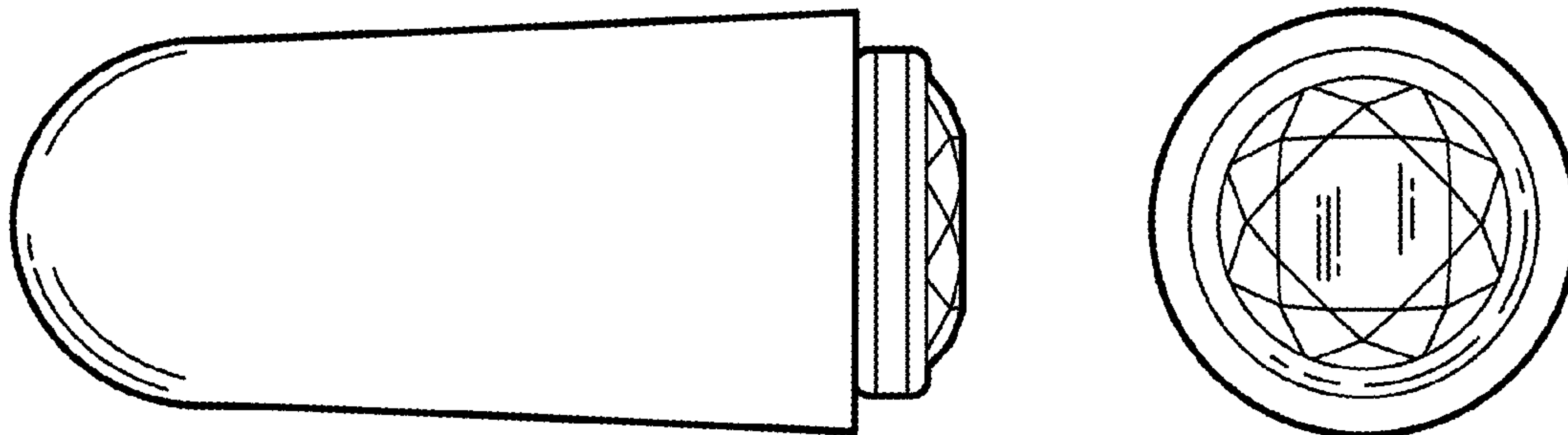
(57) **CLAIM**

The ornamental design for an earplug, as shown and described.

**DESCRIPTION**

FIG. 1 is a front, right, perspective view of an earplug;  
FIG. 2 is a rear, left, perspective view of the earplug;  
FIG. 3 is a left-view of the earplug, the right-view being a mirror image thereof;  
FIG. 4 is a front-view of the earplug; and,  
FIG. 5 is a rear-view of the earplug.

**1 Claim, 1 Drawing Sheet**



(56)

**References Cited**

U.S. PATENT DOCUMENTS

D697,614 S *	1/2014	Pick .....	D24/106
2006/0102418 A1	5/2006	Magidson	
2010/0294285 A1	11/2010	Turdjian	
2012/0073583 A1	3/2012	Turdjian	
2012/0199143 A1	8/2012	Turdjian et al.	
2012/0272974 A1	11/2012	Magidson et al.	

\* cited by examiner

FIG. 1

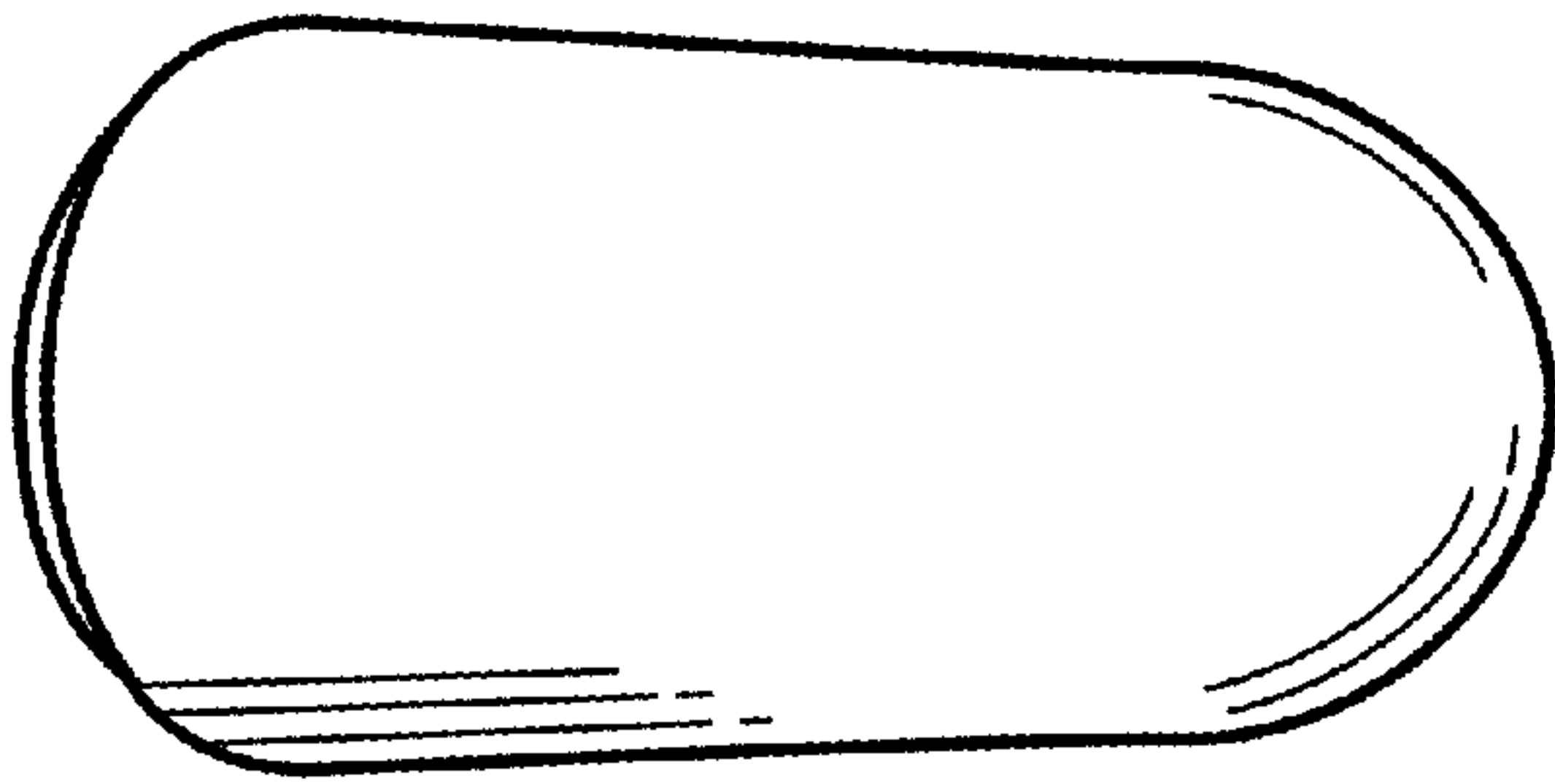


FIG. 2

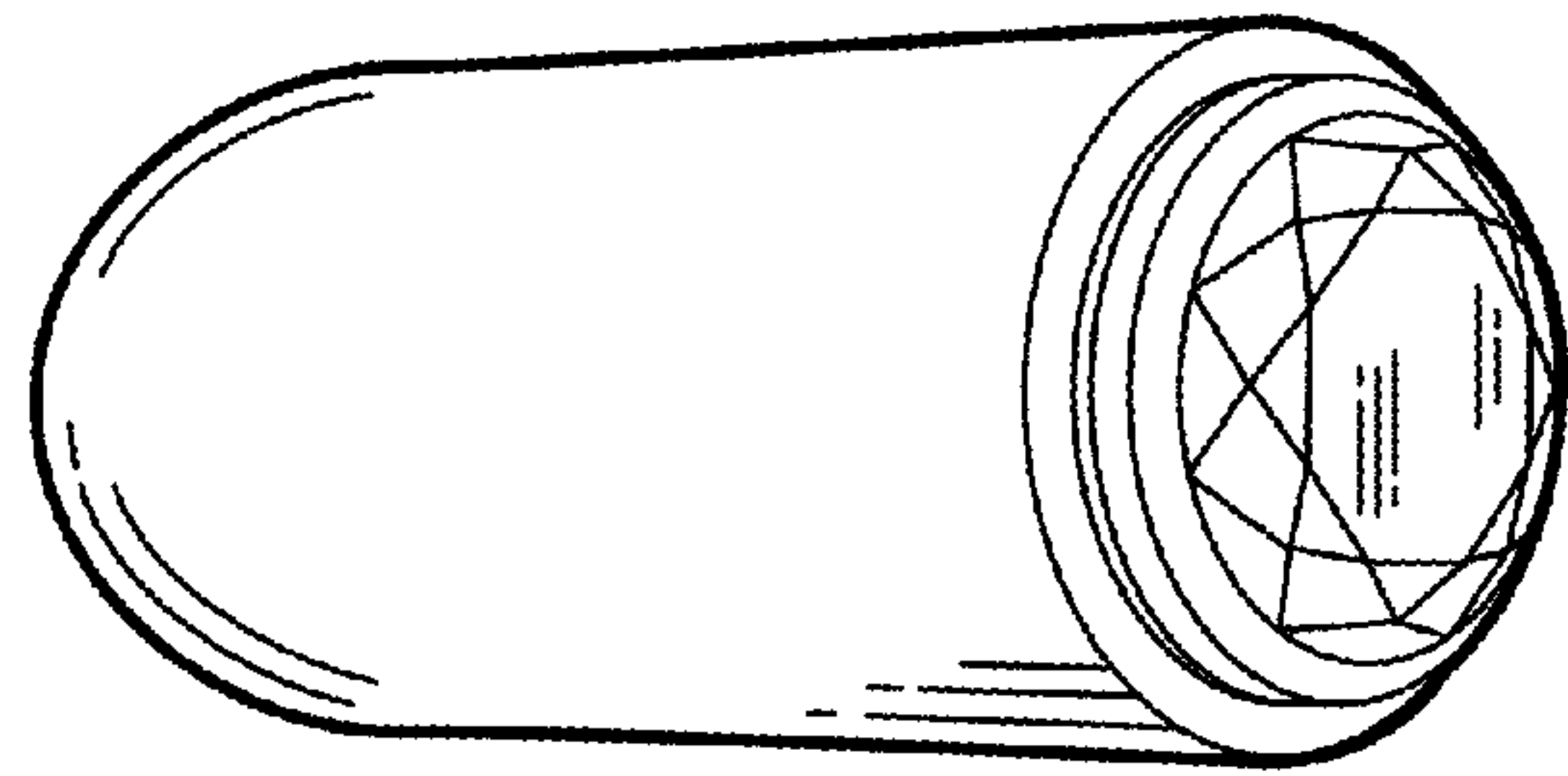


FIG. 3

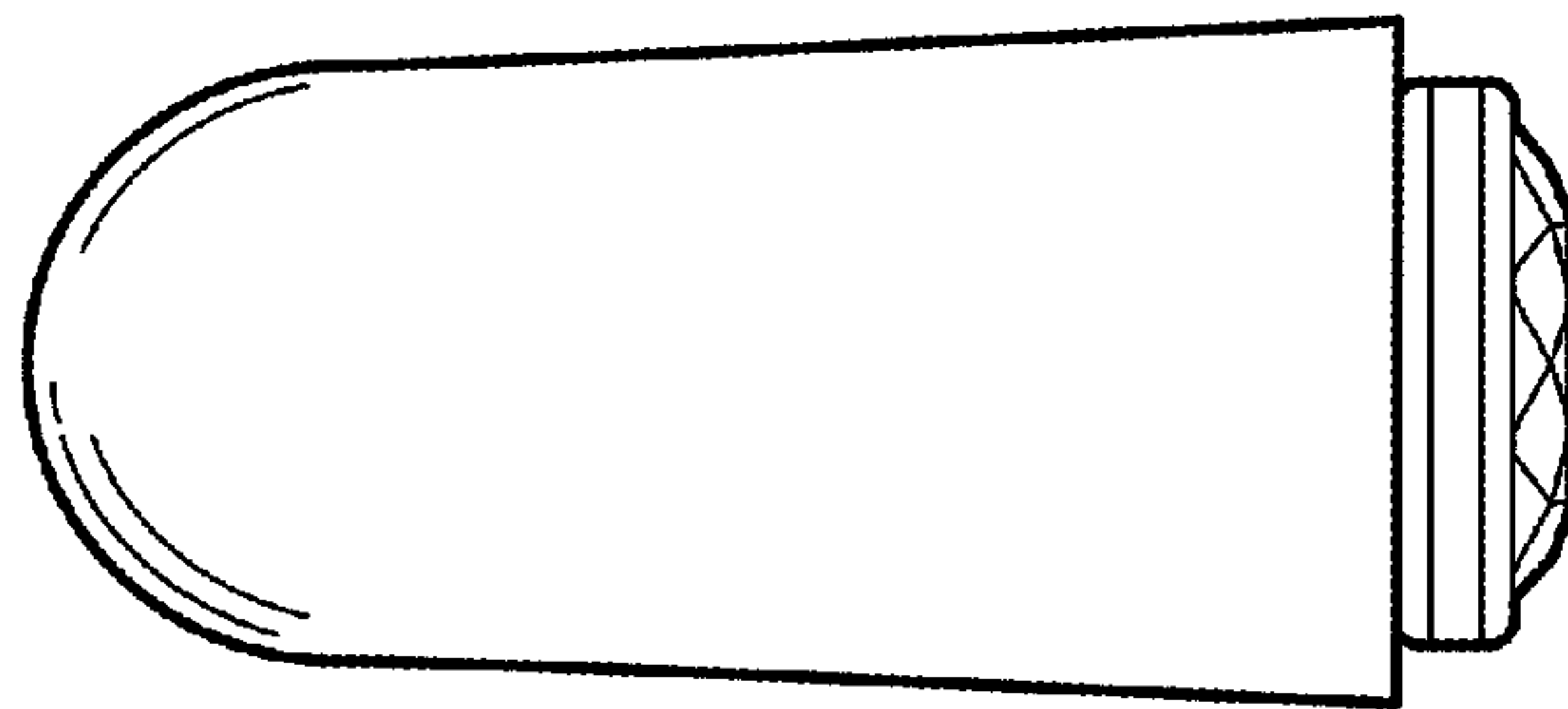


FIG. 4

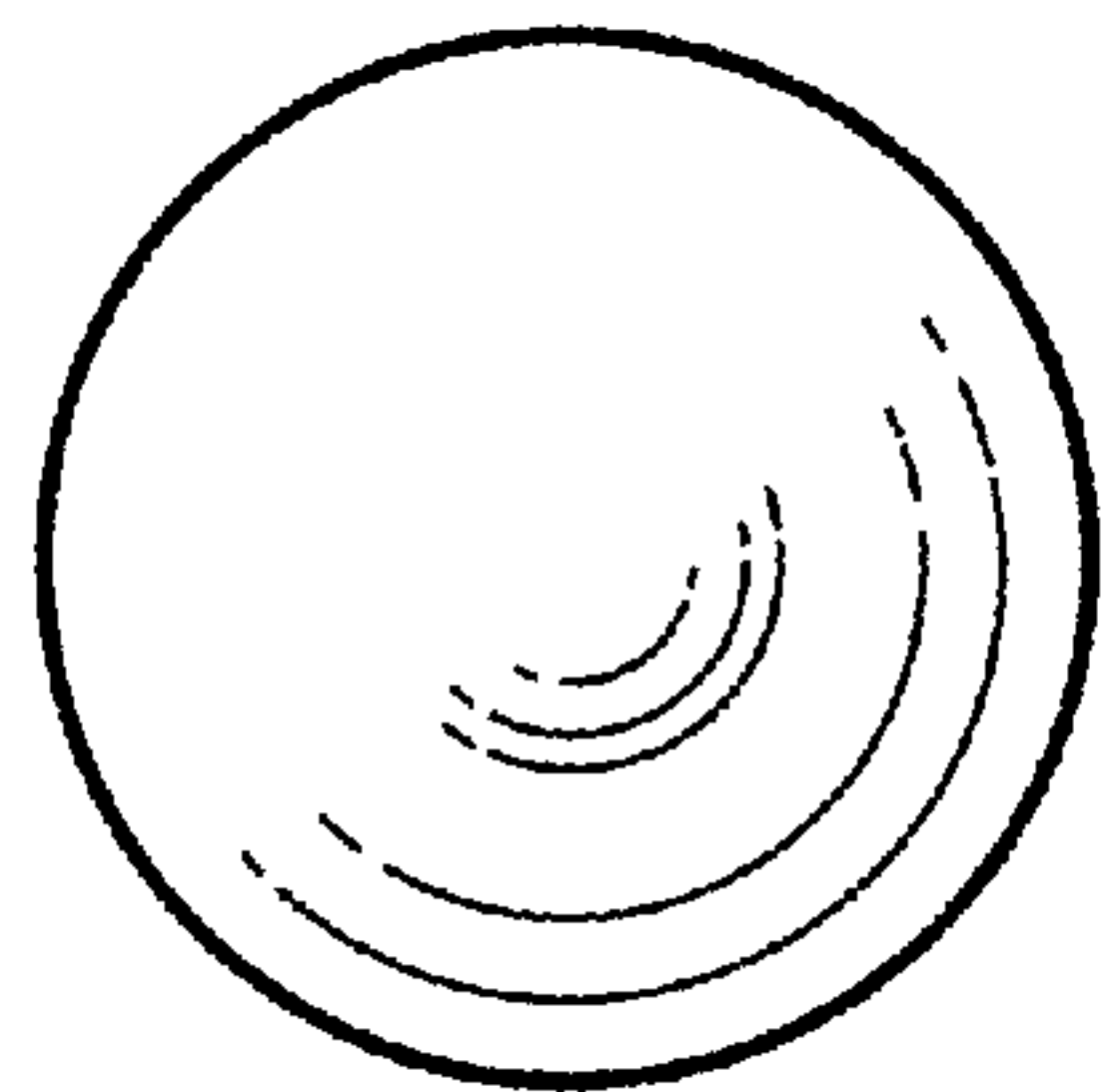


FIG. 5

