



US00D774174S

(12) **United States Design Patent**
Chapman

(10) **Patent No.:** **US D774,174 S**

(45) **Date of Patent:** **** Dec. 13, 2016**

(54) **CLOCK FAN**

(71) Applicant: **Carl Chapman**, Humble, TX (US)

(72) Inventor: **Carl Chapman**, Humble, TX (US)

(**) Term: **15 Years**

(21) Appl. No.: **29/543,533**

(22) Filed: **Oct. 26, 2015**

(51) **LOC (10) Cl.** **23-04**

(52) **U.S. Cl.**
USPC **D23/370**

(58) **Field of Classification Search**
USPC D23/370, 355, 314, 414, 371, 377,
385,D23/411, 383, 373, 378; 415/121.1;
D14/432; D10/2
CPC F04D 29/329; F04D 29/526; F04D 25/082;
F04D 29/325; F04D 29/703; F04D
29/547; B65D 90/36; F23L 17/02; F24F
13/1406; F24F 1/02
See application file for complete search history.

(56) **References Cited**

U.S. PATENT DOCUMENTS

816,903 A	4/1906	Earl	
1,480,906 A	1/1924	Heitzman	
D104,119 S *	4/1937	Schwarz D23/382
2,218,198 A *	10/1940	Harris F24F 6/06 239/214.21
2,835,830 A	5/1958	Rathenau	
3,455,102 A	7/1969	Wolf	
4,041,723 A	8/1977	Weibel, Jr. et al.	
D293,714 S *	1/1988	Jih D18/6

D369,403 S *	4/1996	Reveal D23/328
5,666,331 A	9/1997	Kollin	
D398,387 S *	9/1998	Wan D10/2
D418,910 S *	1/2000	Gould D10/2
D440,883 S *	4/2001	Wilson, Jr. D10/2
D683,010 S *	5/2013	Chen D23/370
D752,201 S *	3/2016	Herbst D23/370
D760,370 S *	6/2016	Herbst D23/370
D761,948 S *	7/2016	Schler D23/370

* cited by examiner

Primary Examiner — Cynthia Underwood

(74) *Attorney, Agent, or Firm* — Notaro, Michalos & Zaccaria P.C.

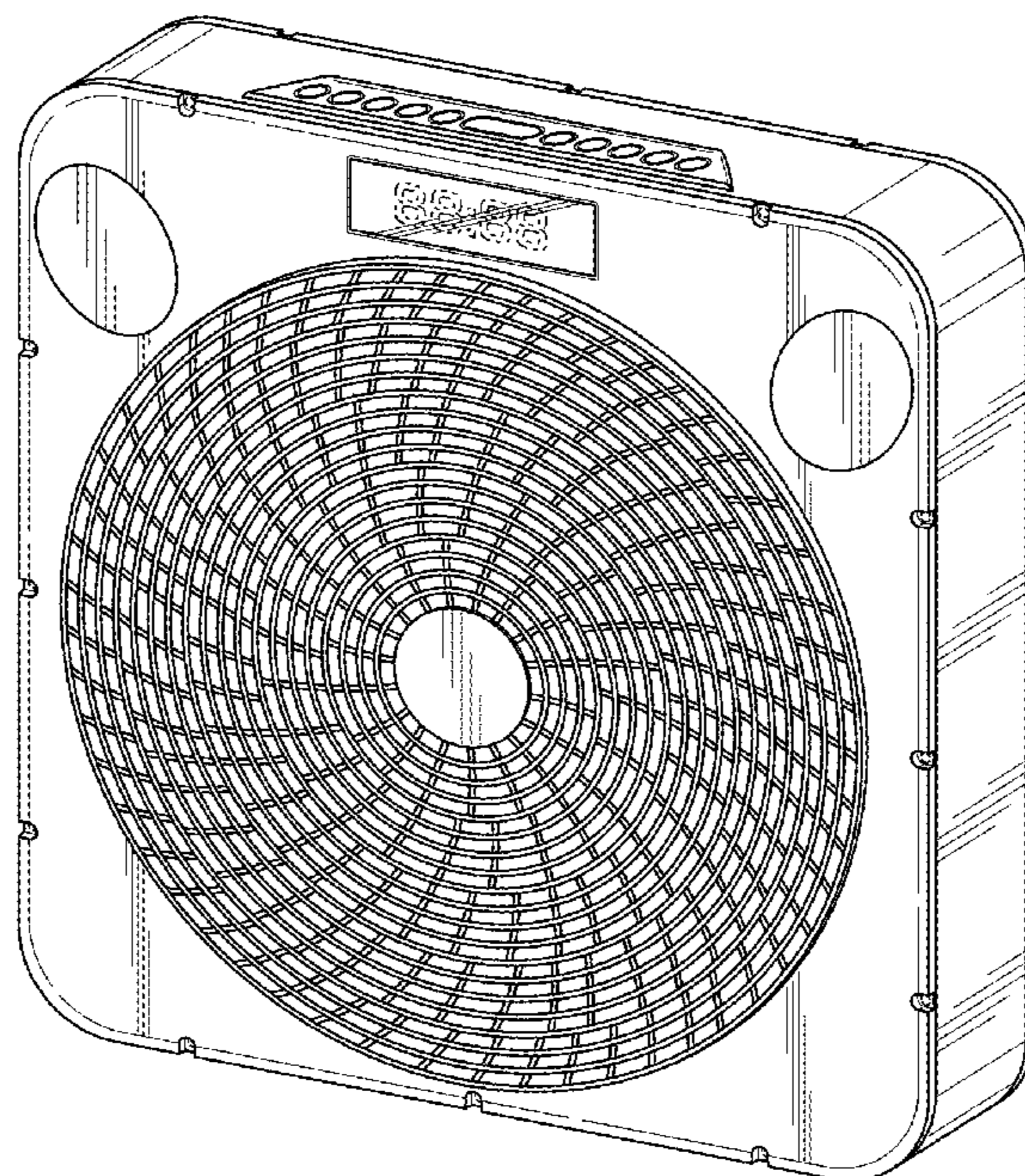
(57) **CLAIM**

The ornamental design for a clock fan, as shown and described.

DESCRIPTION

FIG. 1 is a top, front perspective view of a clock fan showing my new design therefor;
FIG. 2 is bottom, rear perspective view thereof;
FIG. 3 is a front elevational view thereof;
FIG. 4 is a rear elevational view thereof;
FIG. 5 is a right side view thereof;
FIG. 6 is a left side view thereof;
FIG. 7 is a top plan view thereof; and,
FIG. 8 is a bottom plan view thereof.
Throughout the drawings, the broken lines depict environmental subject matter only and form no part of the claimed design.

1 Claim, 6 Drawing Sheets



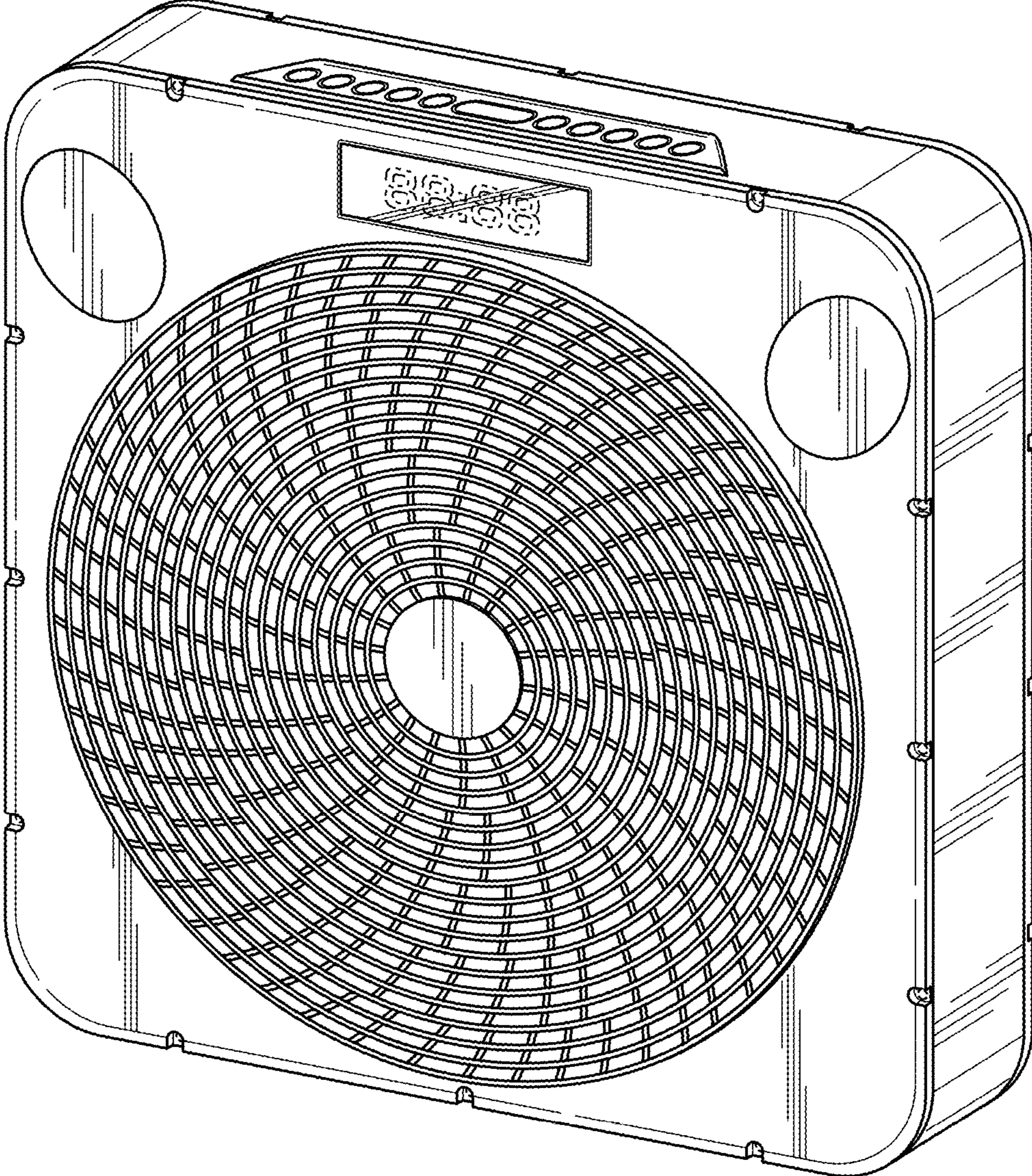


FIG. 1

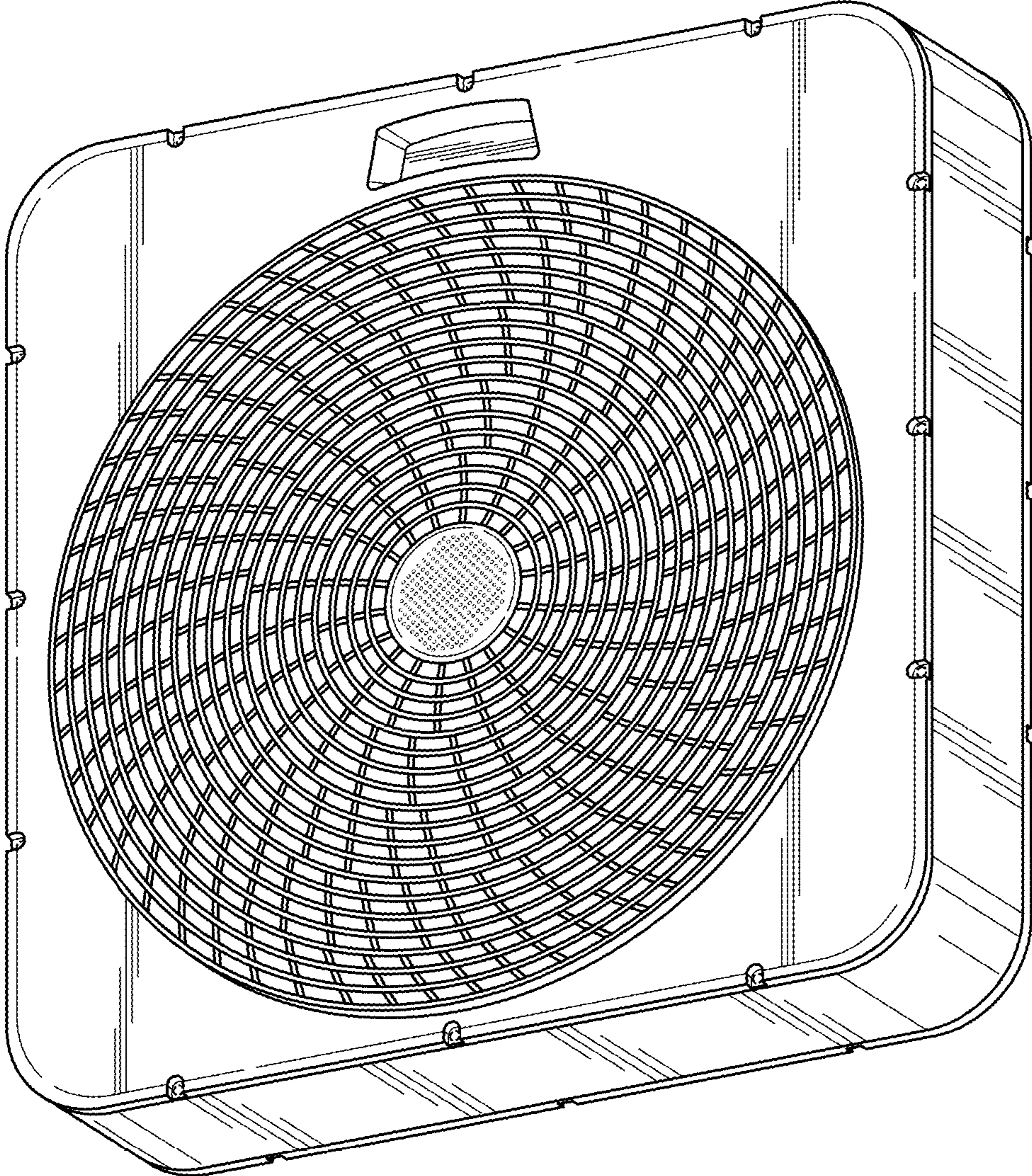


FIG. 2

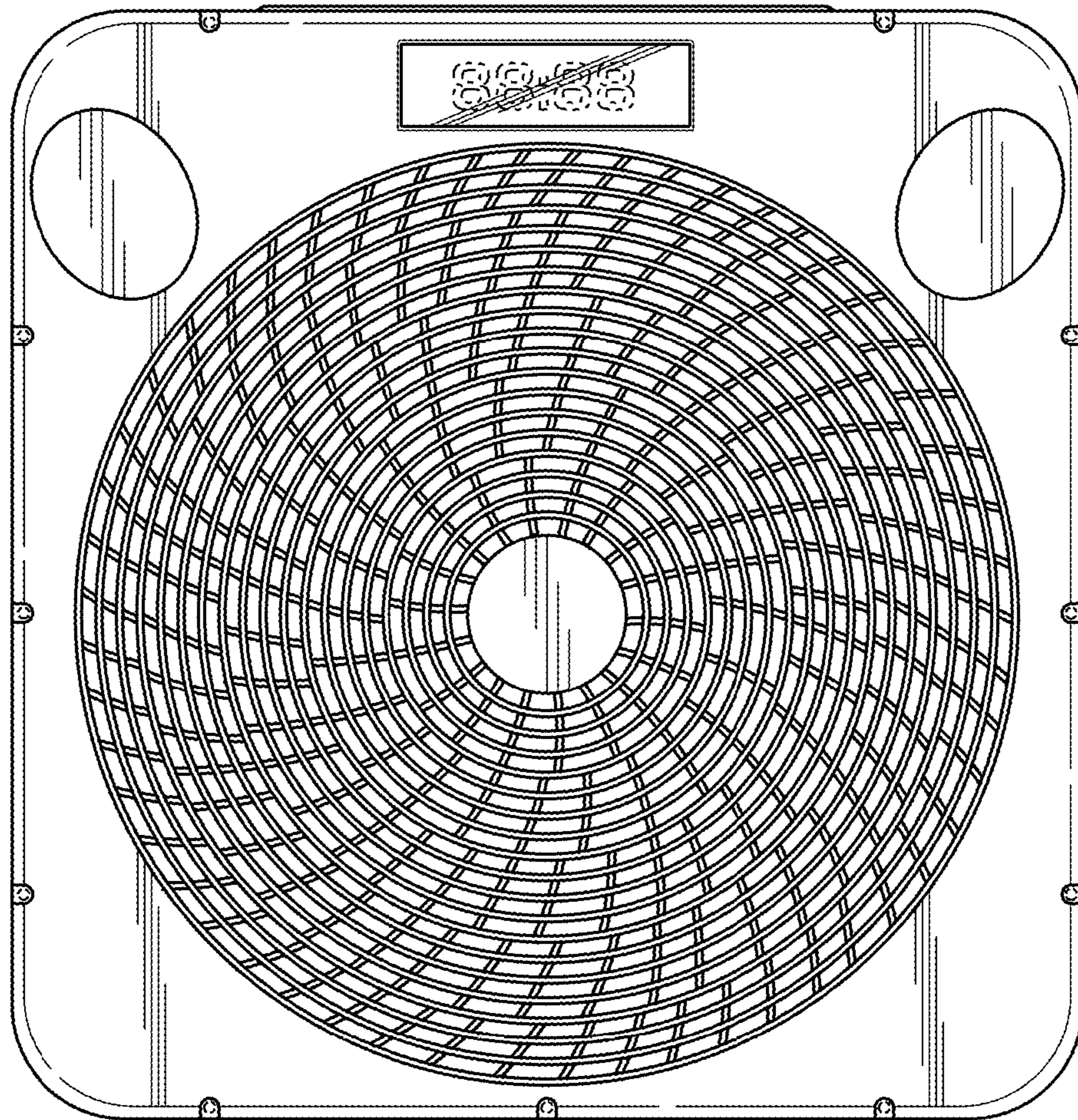


FIG. 3

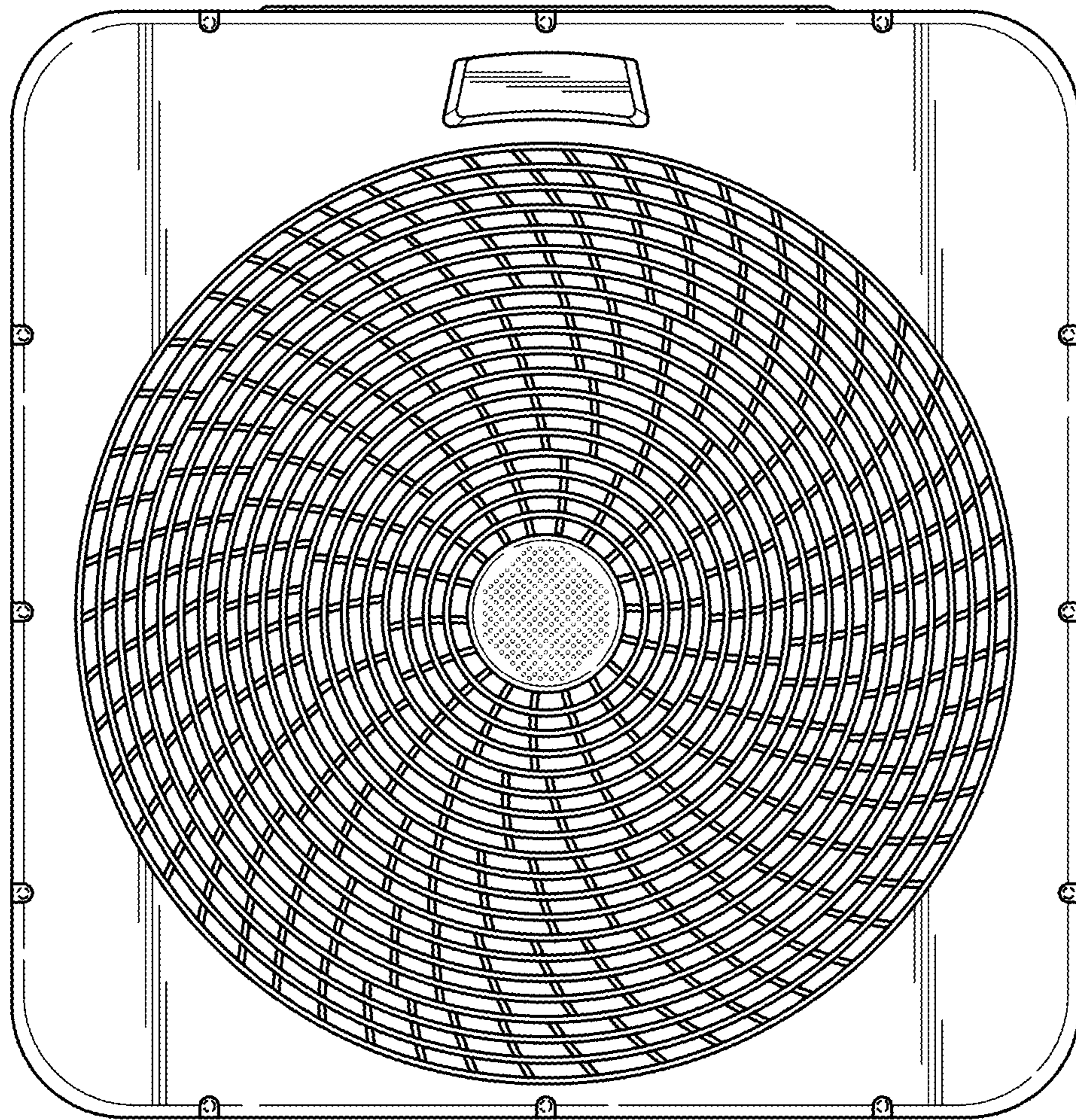


FIG. 4

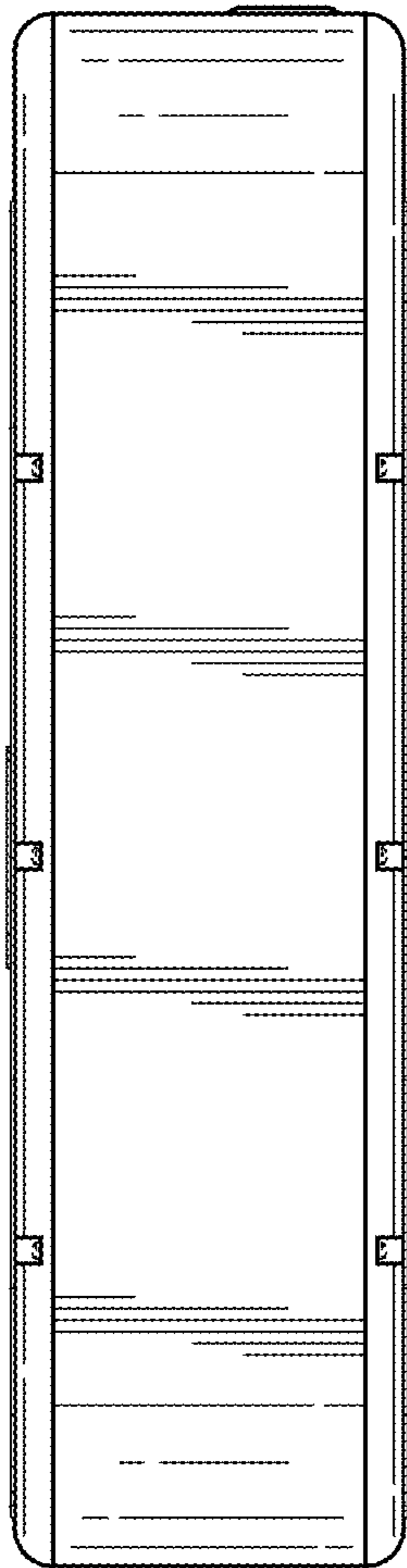


FIG. 5

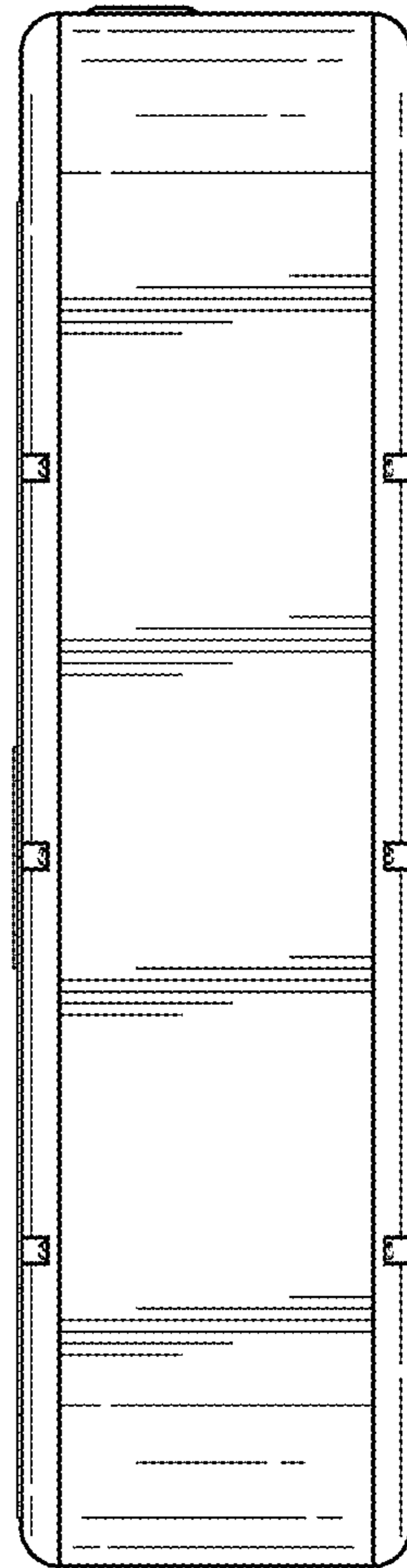


FIG. 6

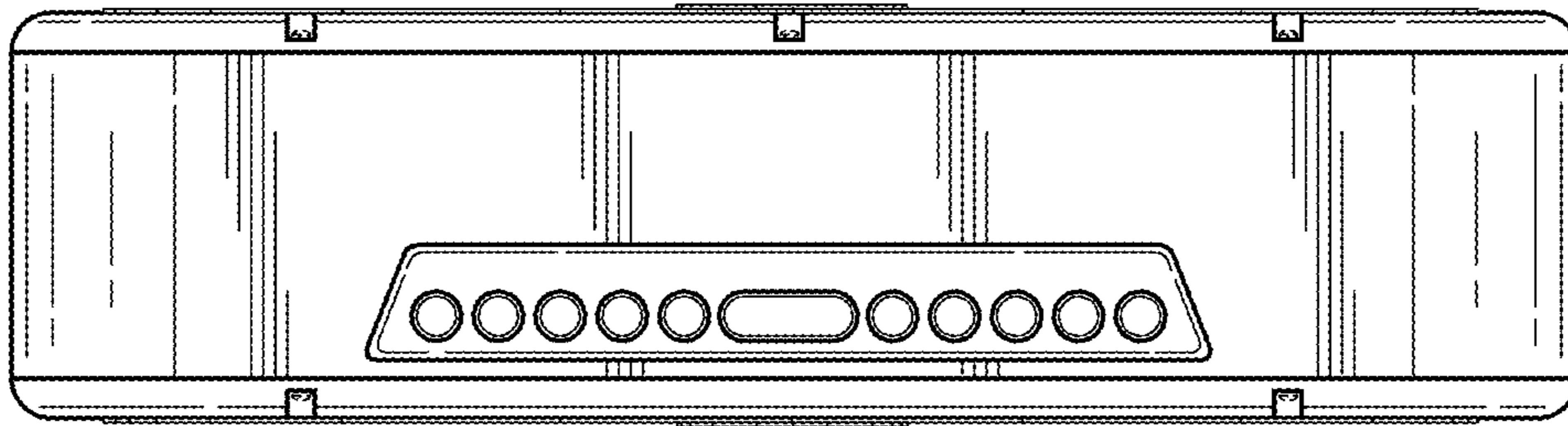


FIG. 7

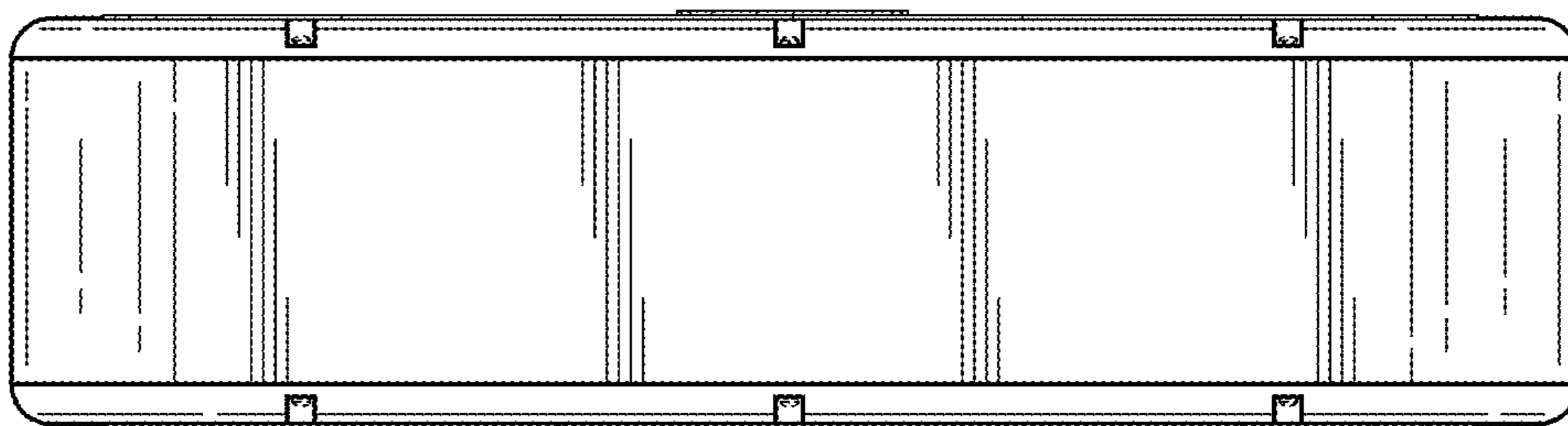


FIG. 8