



US00D774173S

(12) **United States Design Patent**  
**Engberg**

(10) **Patent No.:** **US D774,173 S**

(45) **Date of Patent:** **\*\* Dec. 13, 2016**

(54) **AIR FILTER HOUSING**

(71) Applicant: **BLUEAIR AB**, Stockholm (SE)

(72) Inventor: **Elin Engberg**, Stockholm (SE)

(73) Assignee: **Blueair AB**, Stockholm (SE)

(\*\*) Term: **14 Years**

(21) Appl. No.: **29/500,841**

(22) Filed: **Aug. 28, 2014**

(30) **Foreign Application Priority Data**

Feb. 28, 2014 (EM) ..... 002415505-0004

(51) **LOC (10) Cl.** ..... **23-04**

(52) **U.S. Cl.**  
USPC ..... **D23/364**

(58) **Field of Classification Search**  
USPC ..... D23/364, 365, 209, 363, 358, 386,  
D23/354, 341; 55/385.3, 502, 497, 506,  
55/505, 521, 495, 422, 493, DIG. 30;  
210/435, 130, 136, 248, 339, 448, 452,  
210/497.1; D15/5

CPC ..... F02M 35/024; B01D 46/521; B01D 46/10;  
B01D 46/2411

See application file for complete search history.

(56) **References Cited**

**U.S. PATENT DOCUMENTS**

4,396,407 A \* 8/1983 Reese ..... B01D 46/10  
123/198 E  
D295,313 S \* 4/1988 Barnett ..... D12/183

4,865,637 A \* 9/1989 Gruber ..... B01D 46/0023  
128/205.27  
D382,049 S \* 8/1997 Trampp ..... D23/365  
D433,120 S \* 10/2000 Hakuta ..... D23/499  
6,482,247 B2 \* 11/2002 Jaroszczyk ..... B01D 46/10  
55/484  
D503,793 S \* 4/2005 Snyder ..... D23/393  
D622,436 S \* 8/2010 Whittier ..... D26/118  
D737,415 S \* 8/2015 Sato ..... D23/269  
D737,945 S \* 9/2015 Leatzow ..... D23/365  
2004/0173097 A1 \* 9/2004 Engelland ..... B01D 46/0004  
95/273  
2015/0075906 A1 \* 3/2015 Chard ..... B66F 17/006  
182/112

\* cited by examiner

*Primary Examiner* — David Muller

*Assistant Examiner* — Nathan Johnston

(74) *Attorney, Agent, or Firm* — Cooper Legal Group  
LLC

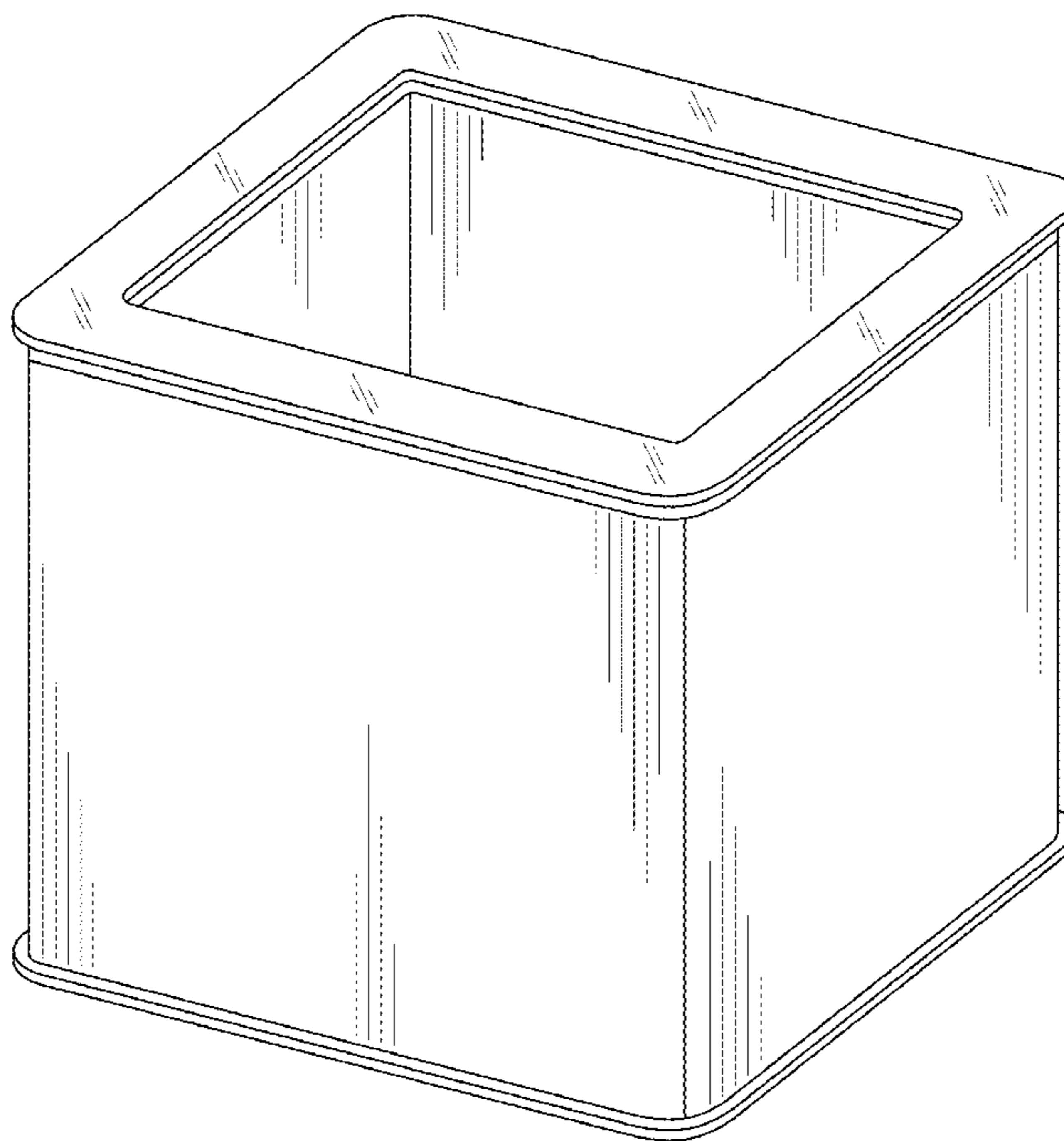
(57) **CLAIM**

The ornamental design for air filter housing, as shown and described.

**DESCRIPTION**

FIG. 1 is a top perspective view of an air filter housing, showing my new design;  
FIG. 2 is a left side elevation view thereof;  
FIG. 3 is a right side elevation view thereof;  
FIG. 4 is a rear elevation view thereof;  
FIG. 5 is a front elevation view thereof;  
FIG. 6 is a top plan view thereof; and,  
FIG. 7 is a bottom plan view thereof.

**1 Claim, 7 Drawing Sheets**



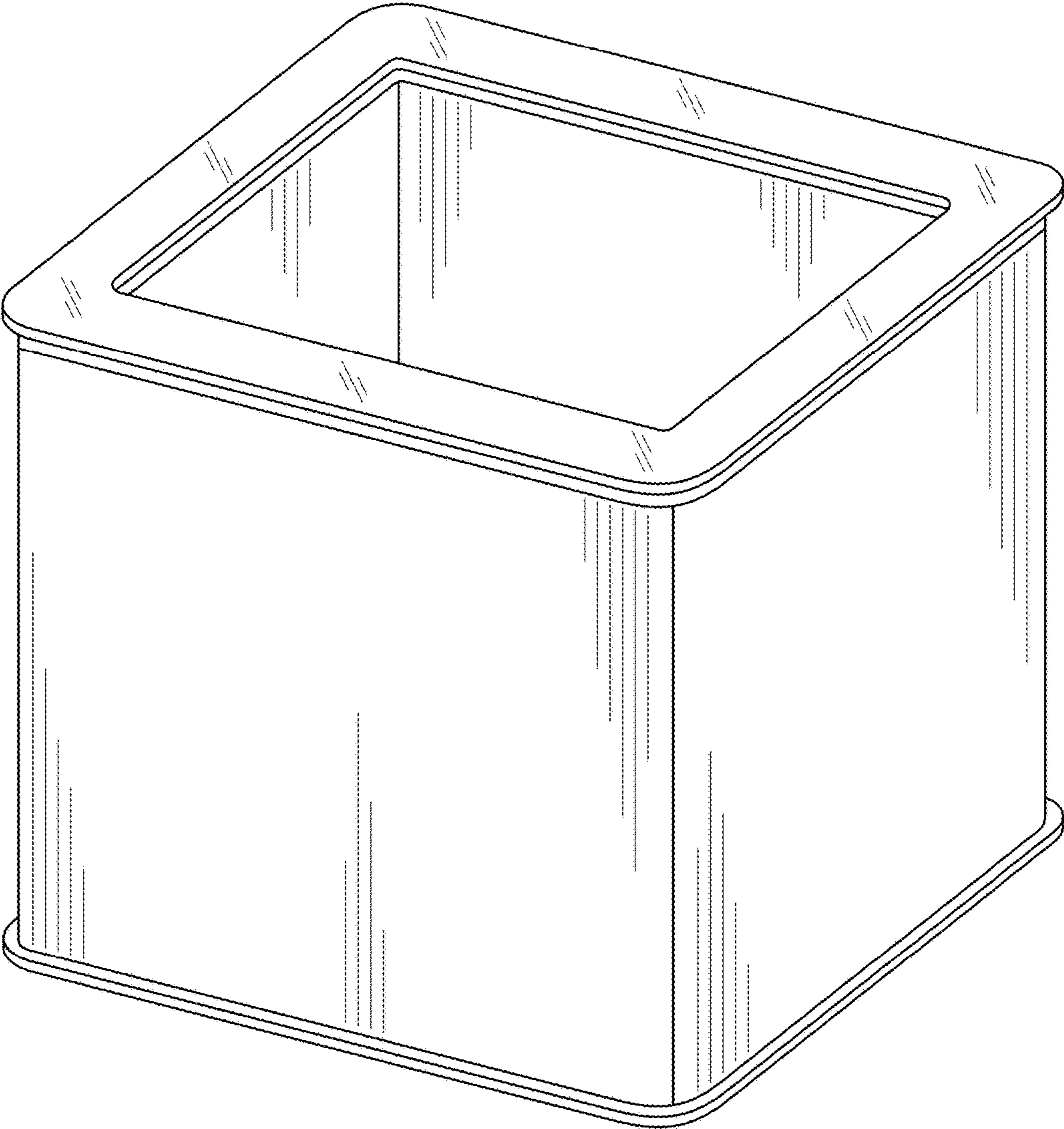


FIG. 1

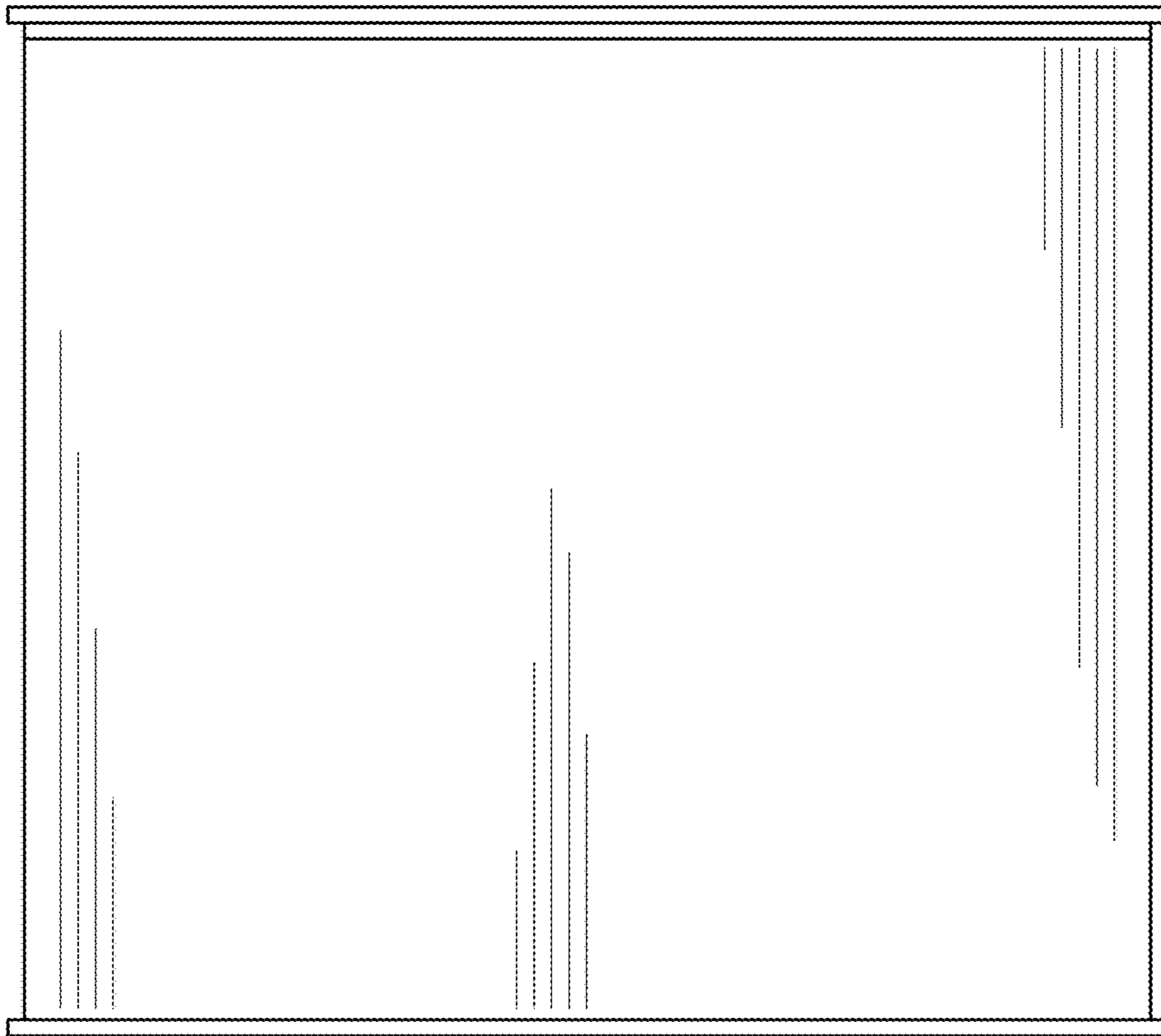


FIG. 2

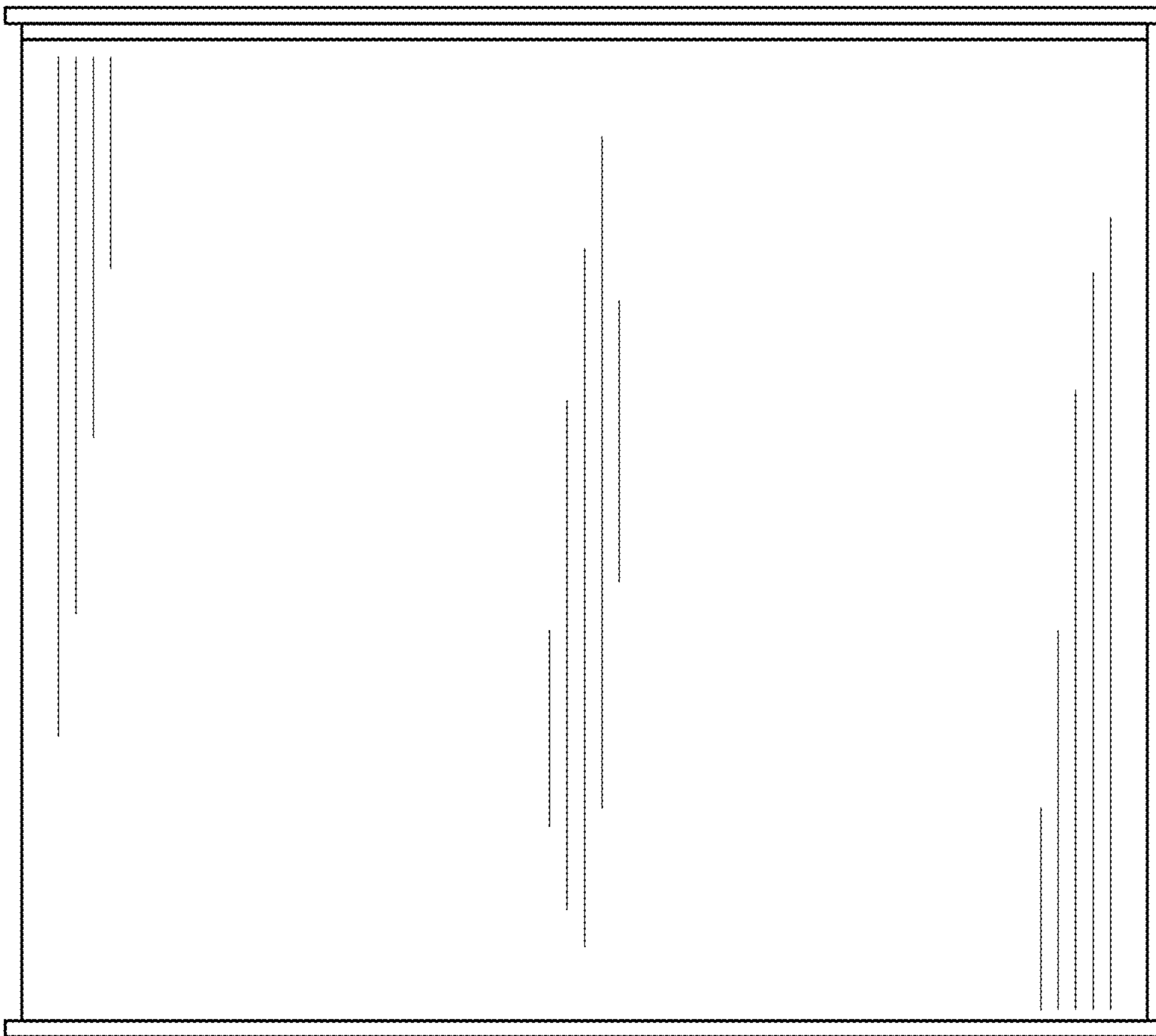


FIG. 3

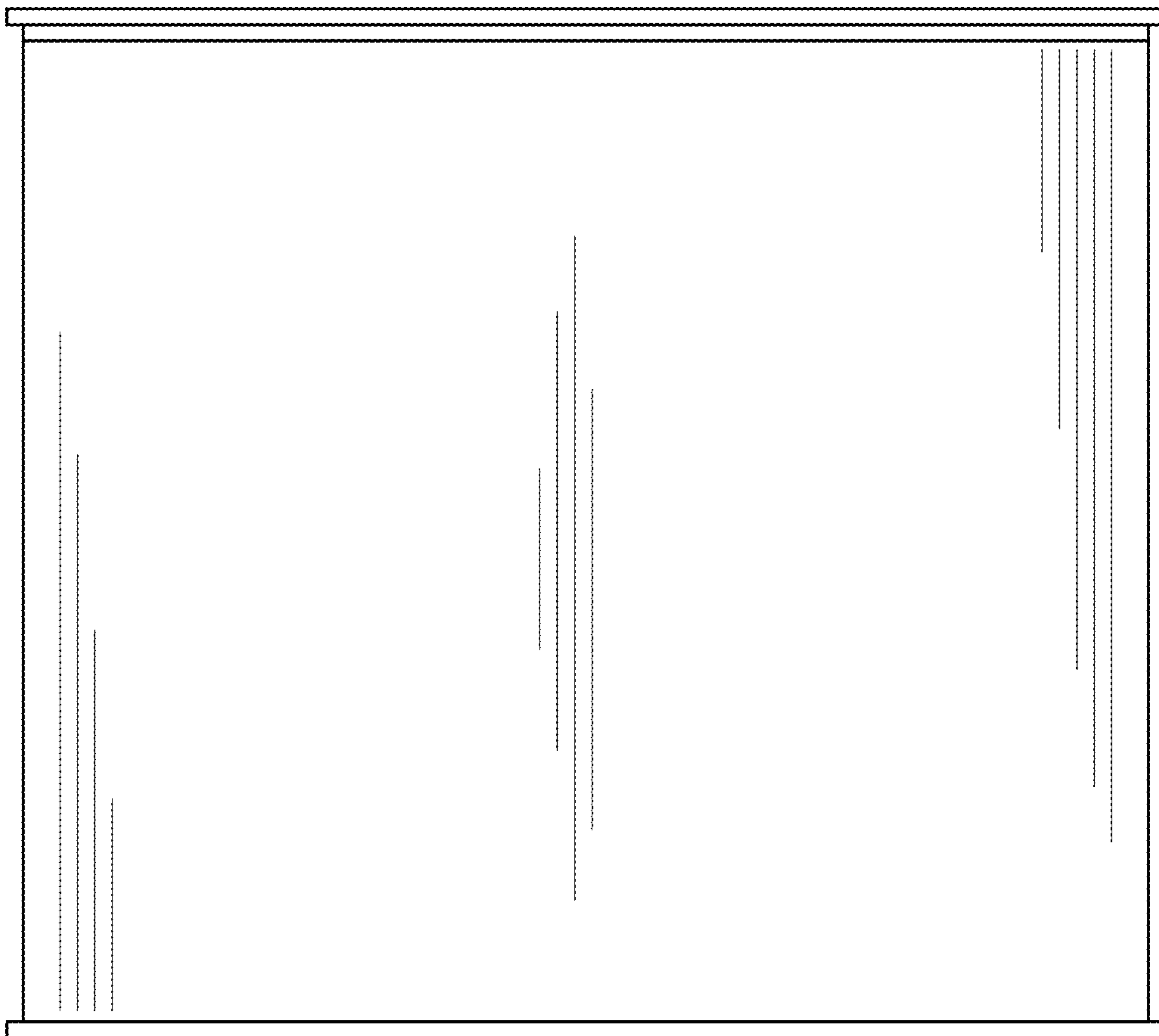


FIG. 4

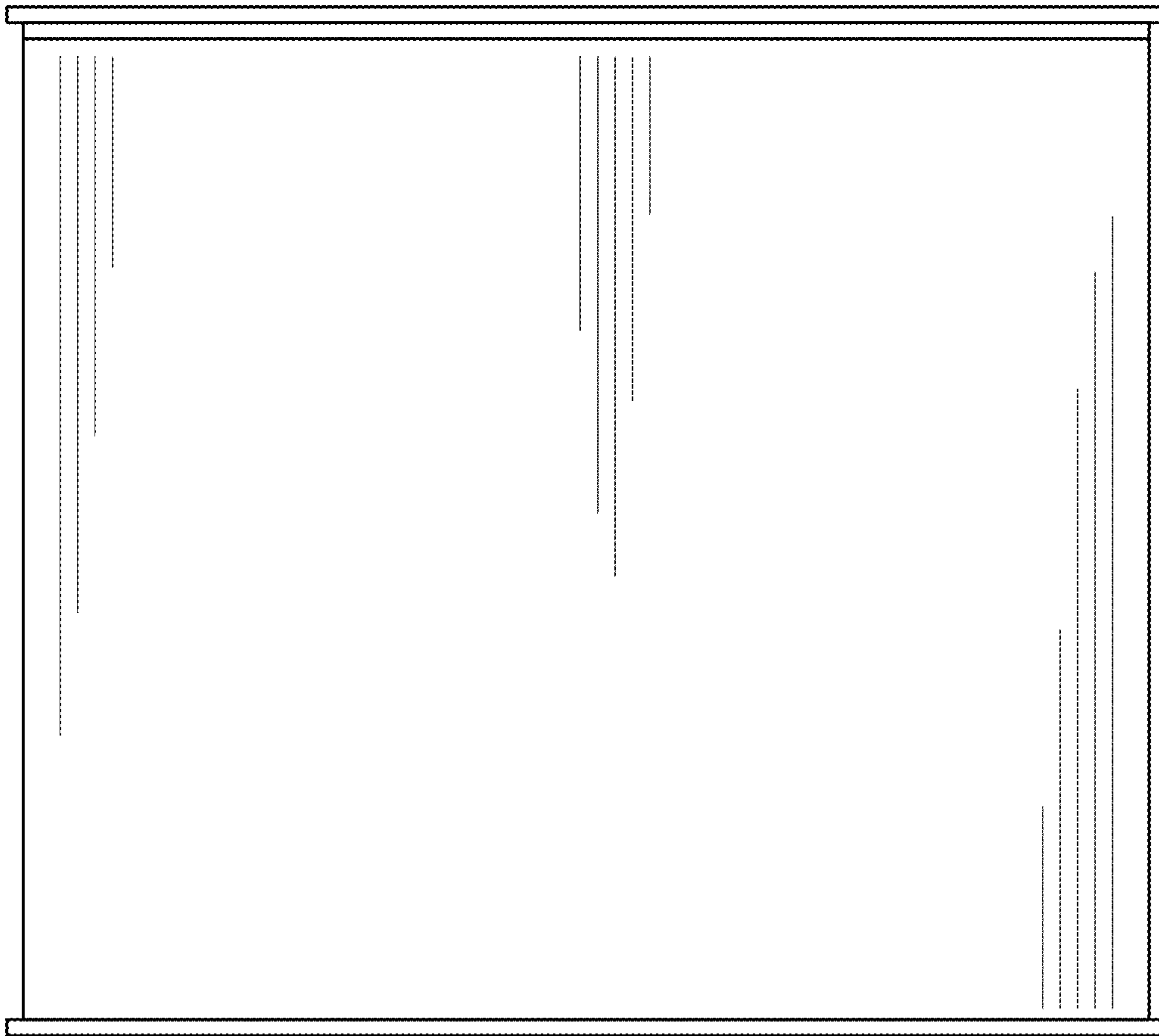


FIG. 5

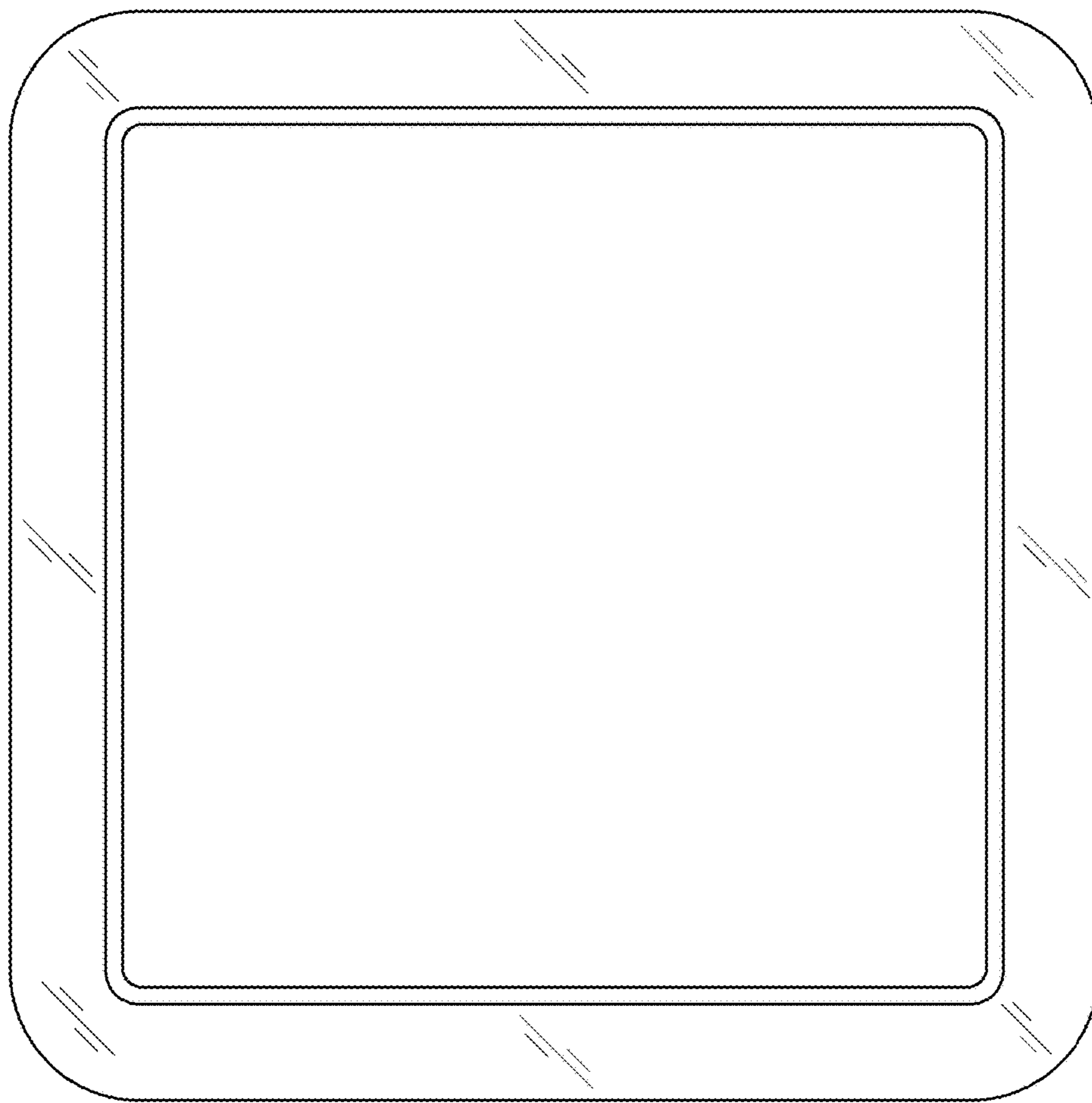


FIG. 6



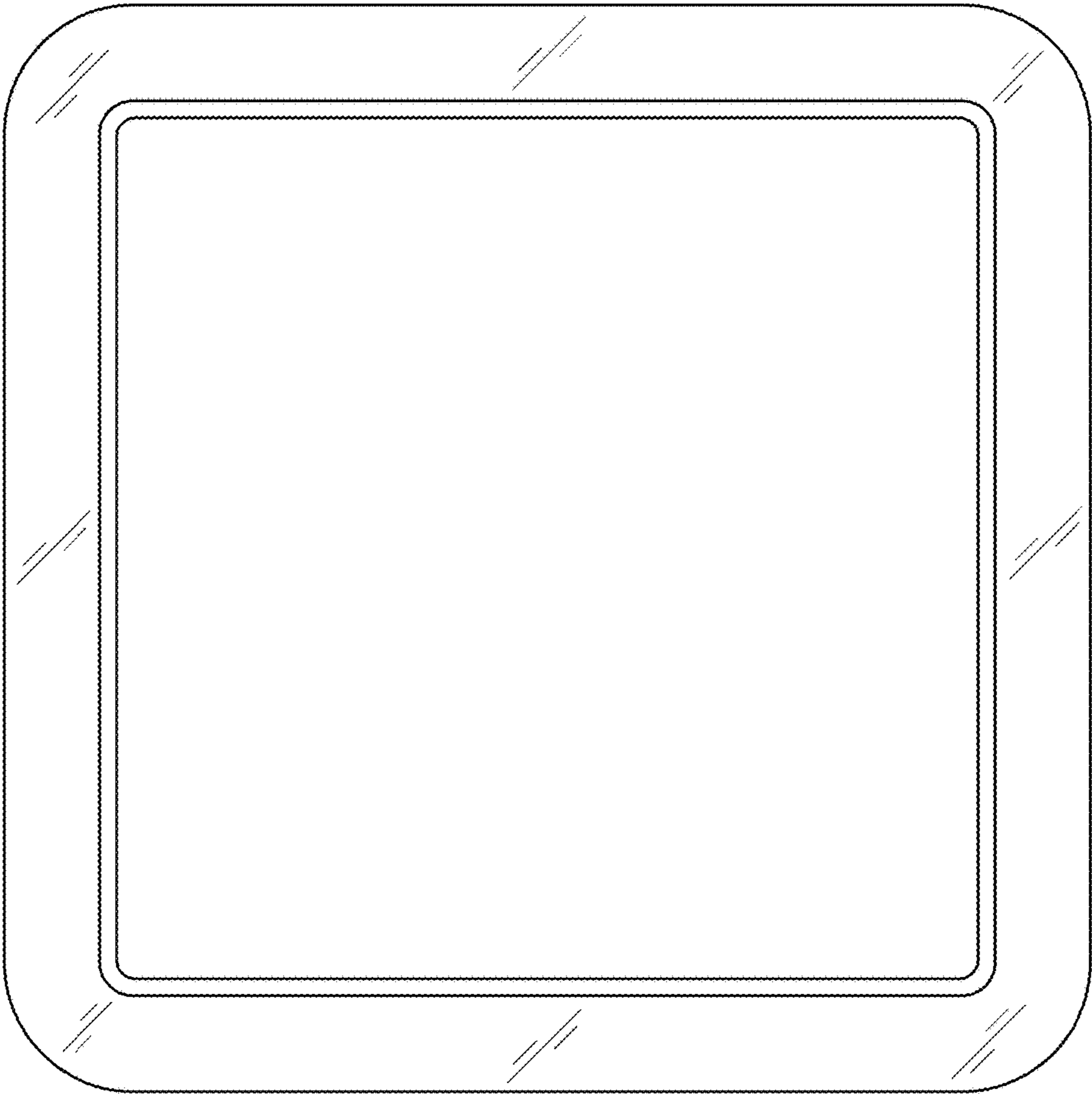


FIG. 7