

US00D774172S

(12) **United States Design Patent** (10) **Patent No.:** **US D774,172 S**
Zemel et al. (45) **Date of Patent:** **** Dec. 13, 2016**

(54) **FIRE PIT**
(71) Applicant: **BLUE RHINO GLOBAL SOURCING, INC.**, Liberty, MO (US)
(72) Inventors: **Marc Zemel**, Old Bethpage, NY (US); **Adam Schillen**, Dix Hills, NY (US)
(73) Assignee: **BLUE RHINO GLOBAL SOURCING, INC.**, Liberty, MO (US)
(**) Term: **14 Years**
(21) Appl. No.: **29/496,280**
(22) Filed: **Jul. 11, 2014**
(51) **LOC (10) Cl.** **23-03**
(52) **U.S. Cl.**
USPC **D23/343**; D23/348
(58) **Field of Classification Search**
USPC D23/317, 314, 332, 333, 334, 335, 337, D23/342, 351, 355, 378, 370, 381, 364, D23/336, 341, 343, 348, 401; 126/30; D7/332, 333, 334, 335, 336, 337, 402, D7/403, 404, 405, 352, 323, 347, 339
CPC F24C 1/16; F24C 5/00; A47J 33/00; A47J 37/07; A47J 37/0763; F24B 1/18; F24B 1/182; F24B 1/1808; F24B 1/181; F24B 1/191; F24B 1/195
See application file for complete search history.

(56) **References Cited**
U.S. PATENT DOCUMENTS
4,884,551 A * 12/1989 Hait F24C 1/16
126/25 R
6,328,028 B1 12/2001 Cayse et al.
7,789,919 B2 9/2010 Helms, Jr. et al.
D698,908 S * 2/2014 Krieger D23/314
D718,569 S * 12/2014 Chiang D7/337
D742,490 S * 11/2015 Jepson D23/343
2003/0015186 A1 * 1/2003 McDonald F24C 1/16
126/9 R

2003/0106548 A1 * 6/2003 Tseng F24B 1/022
126/506
2006/0236996 A1 * 10/2006 Mosher, II F24C 3/14
126/30
2006/0278208 A1 * 12/2006 Lee F24C 15/086
126/25 R
2007/0001068 A1 * 1/2007 Catalina F24B 3/00
248/150
2008/0105252 A1 * 5/2008 Barbour F24B 3/00
126/521
2011/0262874 A1 * 10/2011 Kraminer A47J 37/079
431/6
2013/0081609 A1 4/2013 Dhuper et al.
2013/0255659 A1 * 10/2013 Fulp A47J 37/0781
126/25 R
2013/0269674 A1 * 10/2013 Junge, Sr. A47J 37/0704
126/30

(Continued)

FOREIGN PATENT DOCUMENTS

FR 2873911 A1 2/2006
Primary Examiner — T. Chase Nelson
Assistant Examiner — Ania Aman
(74) *Attorney, Agent, or Firm* — Carter, DeLuca, Farrell & Schmidt, LLP

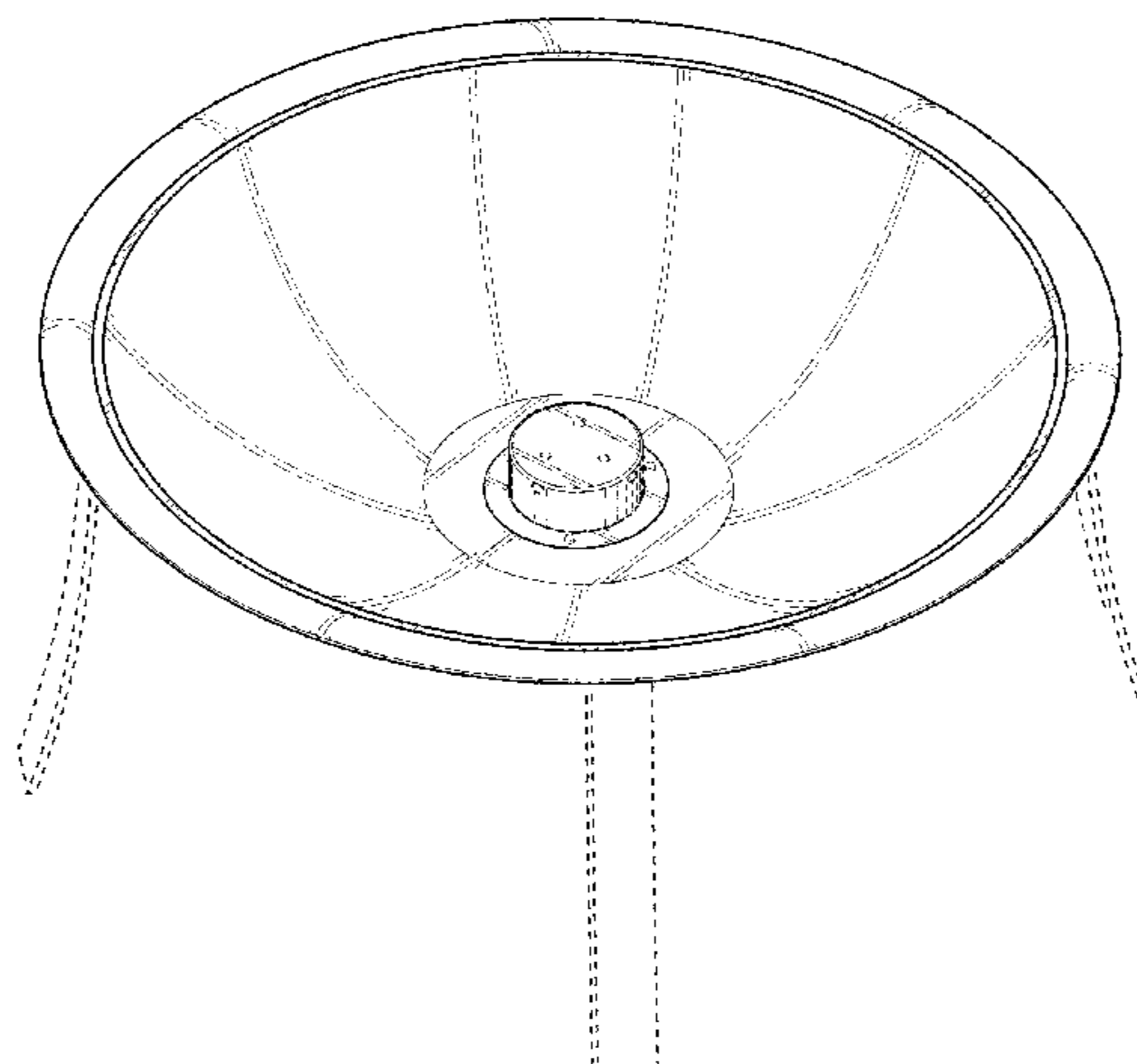
(57) **CLAIM**

The ornamental design for a fire pit, as shown and described.

DESCRIPTION

FIG. 1 is a perspective view of a fire pit in accordance with the present design;
FIG. 2 is a front side elevational view thereof, the rear side, the left side and the right side elevational views being a mirror image thereof;
FIG. 3 is a top plan view thereof; and,
FIG. 4 is a bottom plan view thereof.
The broken lines shown are included for the purpose of illustrating a portion of the fire pit that forms no part of the claimed design.

1 Claim, 3 Drawing Sheets



(56)

References Cited

U.S. PATENT DOCUMENTS

2013/0319255 A1* 12/2013 Chiang A47J 37/00
99/339
2014/0338585 A1* 11/2014 McBride B63B 17/00
114/364
2015/0267919 A1* 9/2015 Zemel F24B 3/00
431/6

* cited by examiner

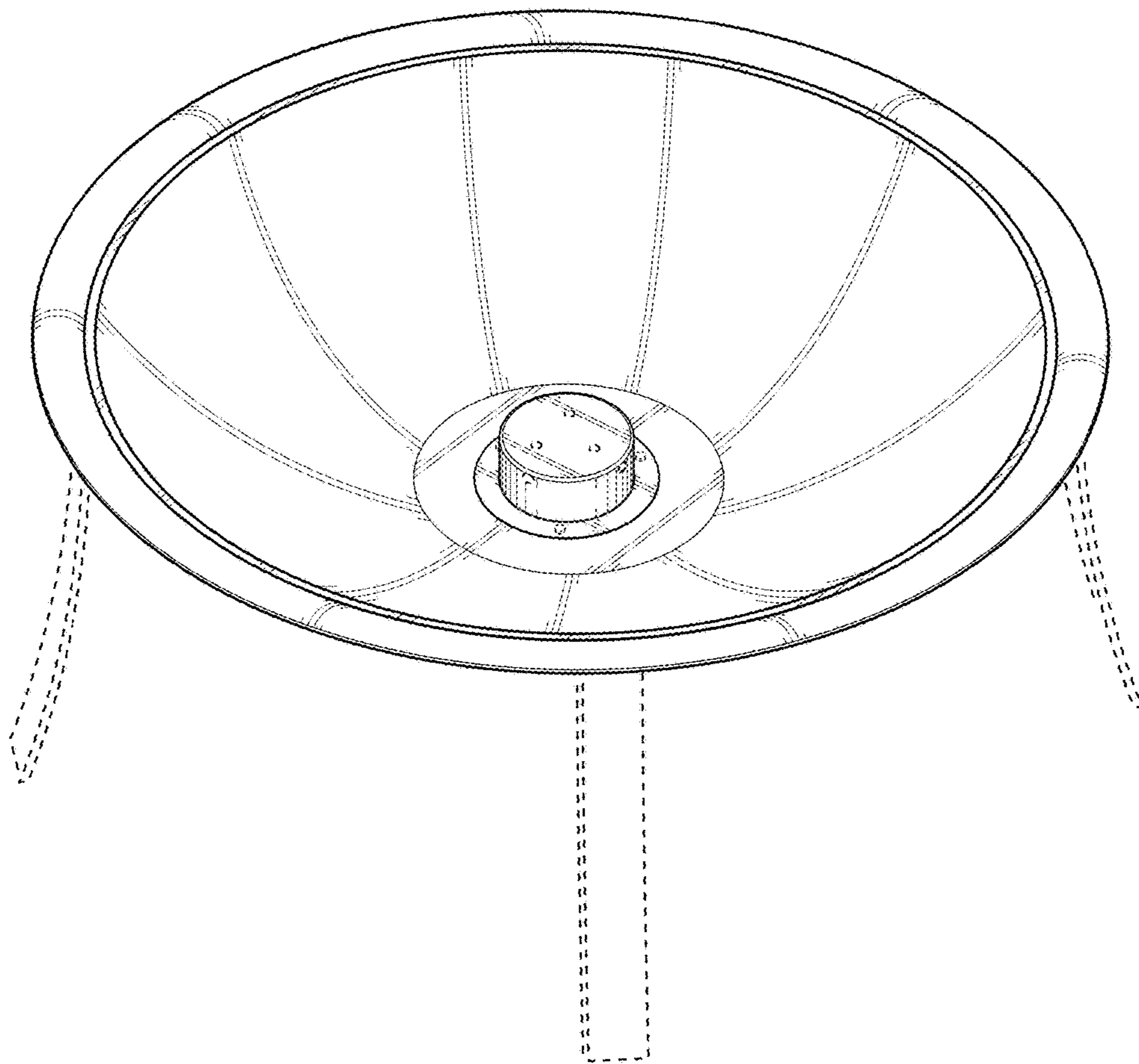


FIG. 1

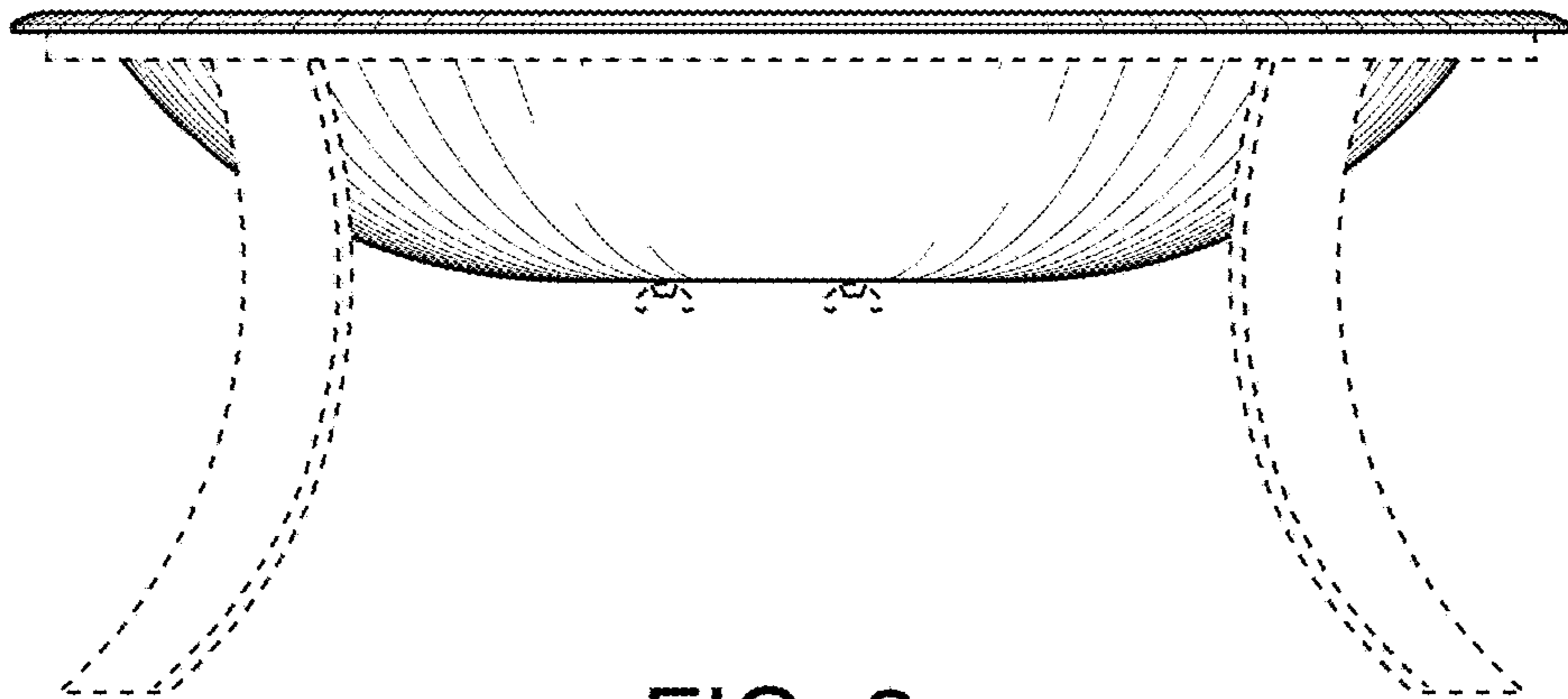


FIG. 2

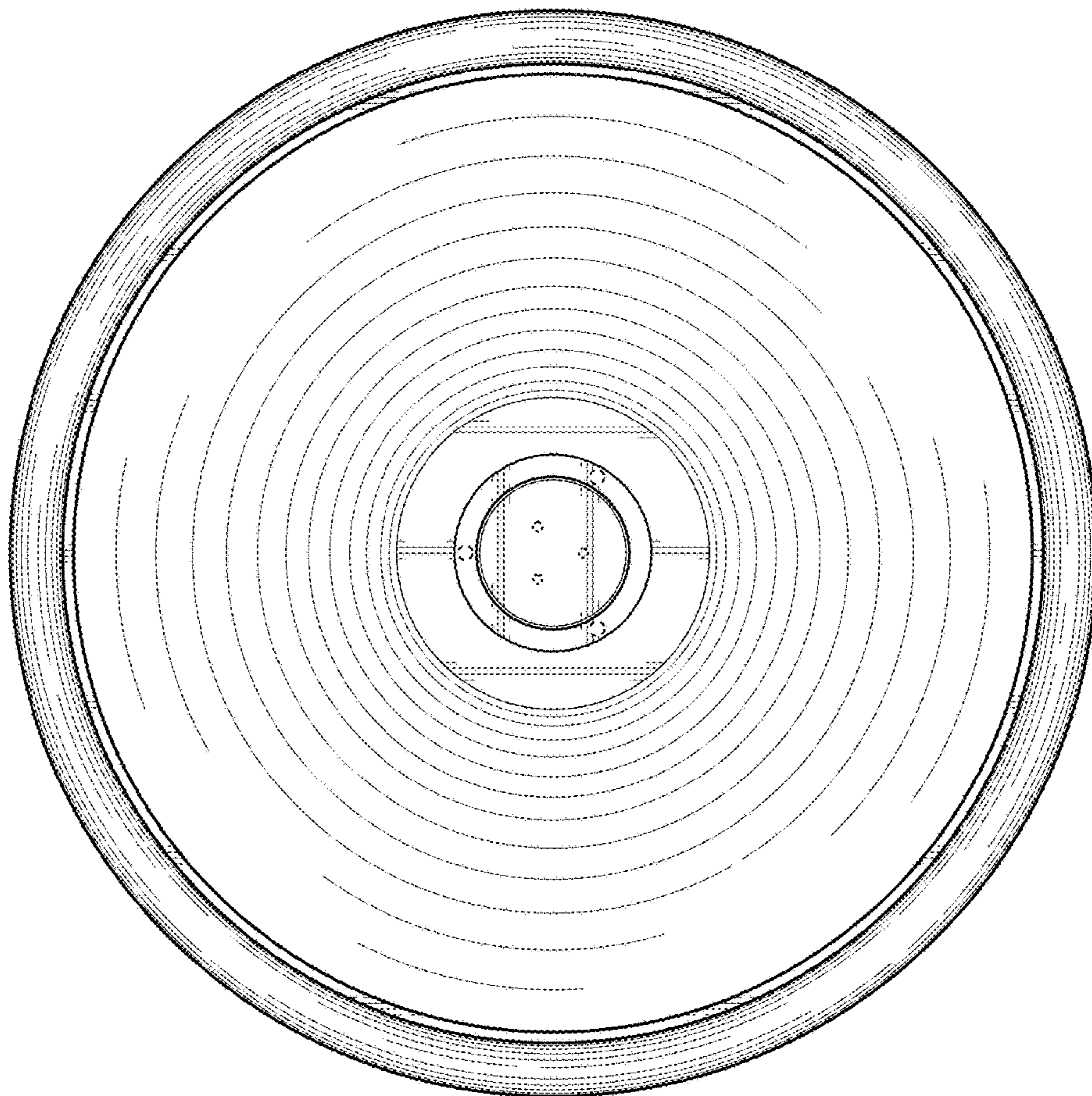


FIG. 3

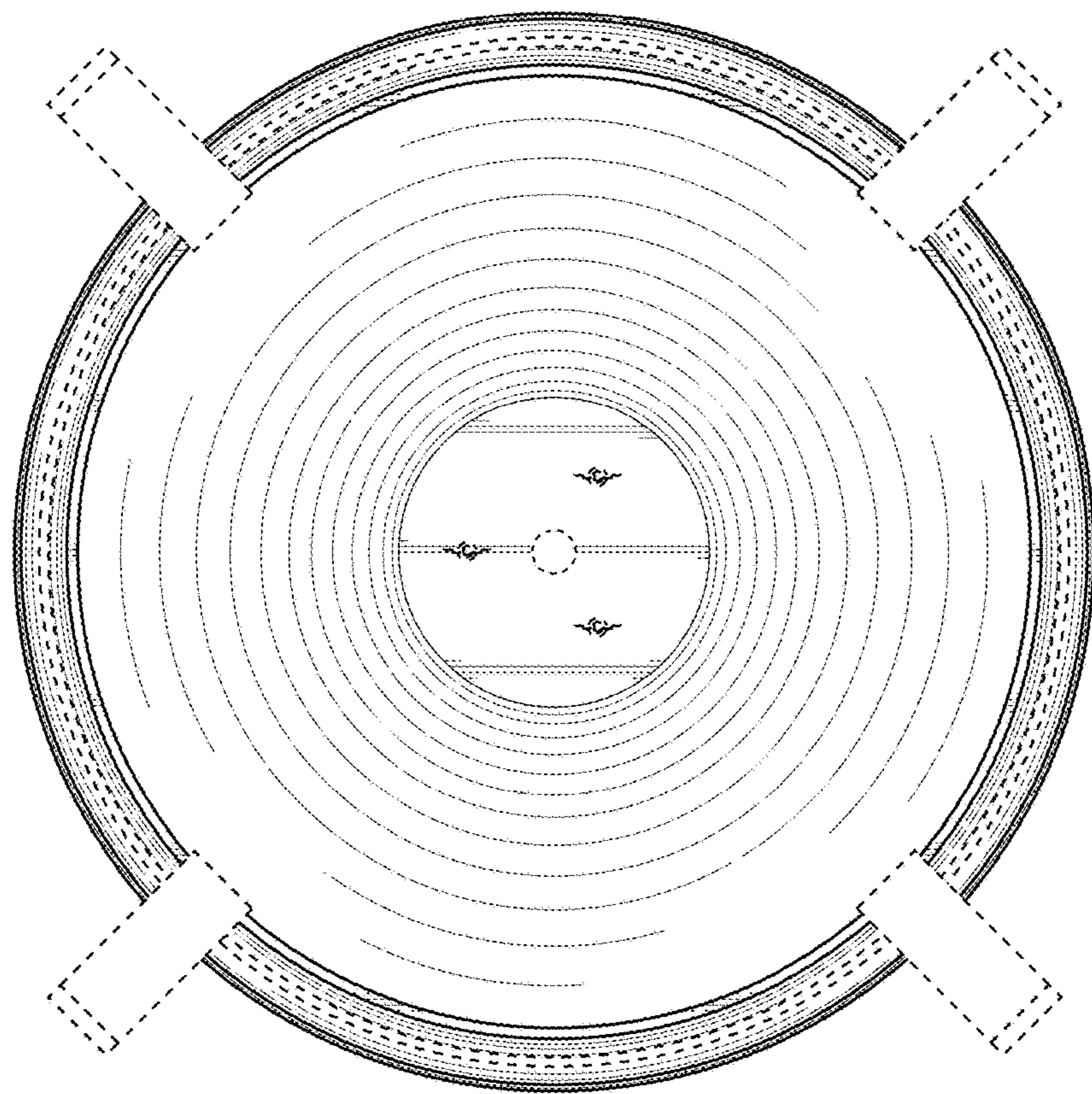


FIG. 4