



US00D774171S

(12) **United States Design Patent** (10) **Patent No.:** **US D774,171 S**
Schoolcraft et al. (45) **Date of Patent:** **** Dec. 13, 2016**

(54) **PLUMBING FITTING**

(71) Applicant: **Zurn Industries, LLC**, Milwaukee, WI (US)

(72) Inventors: **John Kevin Schoolcraft**, Sanford, NC (US); **Craig Saunders**, Rocky River, OH (US); **Paul Stephens**, Twinsburg, OH (US); **Jason Tilk**, Cleveland Heights, OH (US); **Alex Velet**, Westlake, OH (US); **Michael Liebal**, Greensboro, NC (US); **Sean M. Chenard**, Raleigh, NC (US); **Roy Leviner, III**, Aberdeen, NC (US)

(73) Assignee: **Zurn Industries, LLC**, Milwaukee, WI (US)

(**) Term: **15 Years**

(21) Appl. No.: **29/546,857**

(22) Filed: **Nov. 25, 2015**

Related U.S. Application Data

(62) Division of application No. 29/471,334, filed on Oct. 30, 2013, now Pat. No. Des. 744,617.

(51) **LOC (10) Cl.** **23-01**

(52) **U.S. Cl.**
USPC **D23/257**

(58) **Field of Classification Search**
USPC D23/238-243, 255-257
CPC E03C 1/042
See application file for complete search history.

(56) **References Cited**

U.S. PATENT DOCUMENTS

D423,650 S *	4/2000	Fabian	D23/255
D446,843 S *	8/2001	Martinez	D23/255
D464,121 S *	10/2002	Storti	D23/255
D517,663 S *	3/2006	Wolf	D23/255
D530,394 S *	10/2006	Paterson	D23/238
D642,240 S *	7/2011	Flowers	D23/255

* cited by examiner

Primary Examiner — Robert Delehanty

(74) *Attorney, Agent, or Firm* — Quarles & Brady LLP

(57) **CLAIM**

The ornamental design for a plumbing fitting, as shown and described.

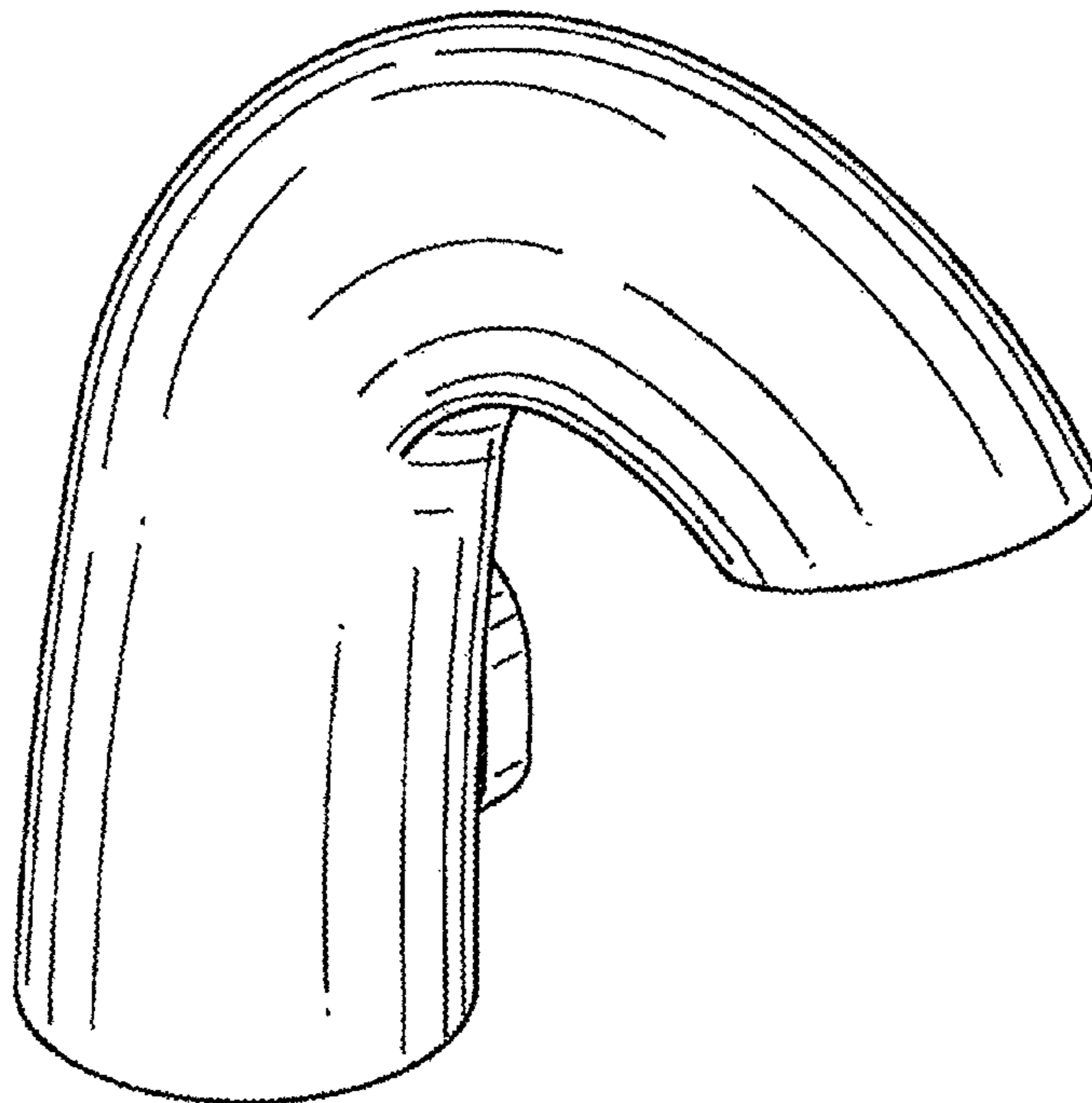
DESCRIPTION

FIG. 1 is a top, left, front perspective view of a plumbing fitting showing another embodiment of our new design; FIG. 2 is a left side elevational view thereof; FIG. 3 is a right side elevational view thereof; FIG. 4 is a front elevational view thereof; FIG. 5 is a rear elevational view thereof; FIG. 6 is a top plan view thereof; and, FIG. 7 is a bottom plan view thereof.

The broken line representations in the figures show unclaimed environment, and thus form no part of the claimed design.

The nature of this product is a plumbing fitting, such as a spout for a sensor activated faucet.

1 Claim, 4 Drawing Sheets



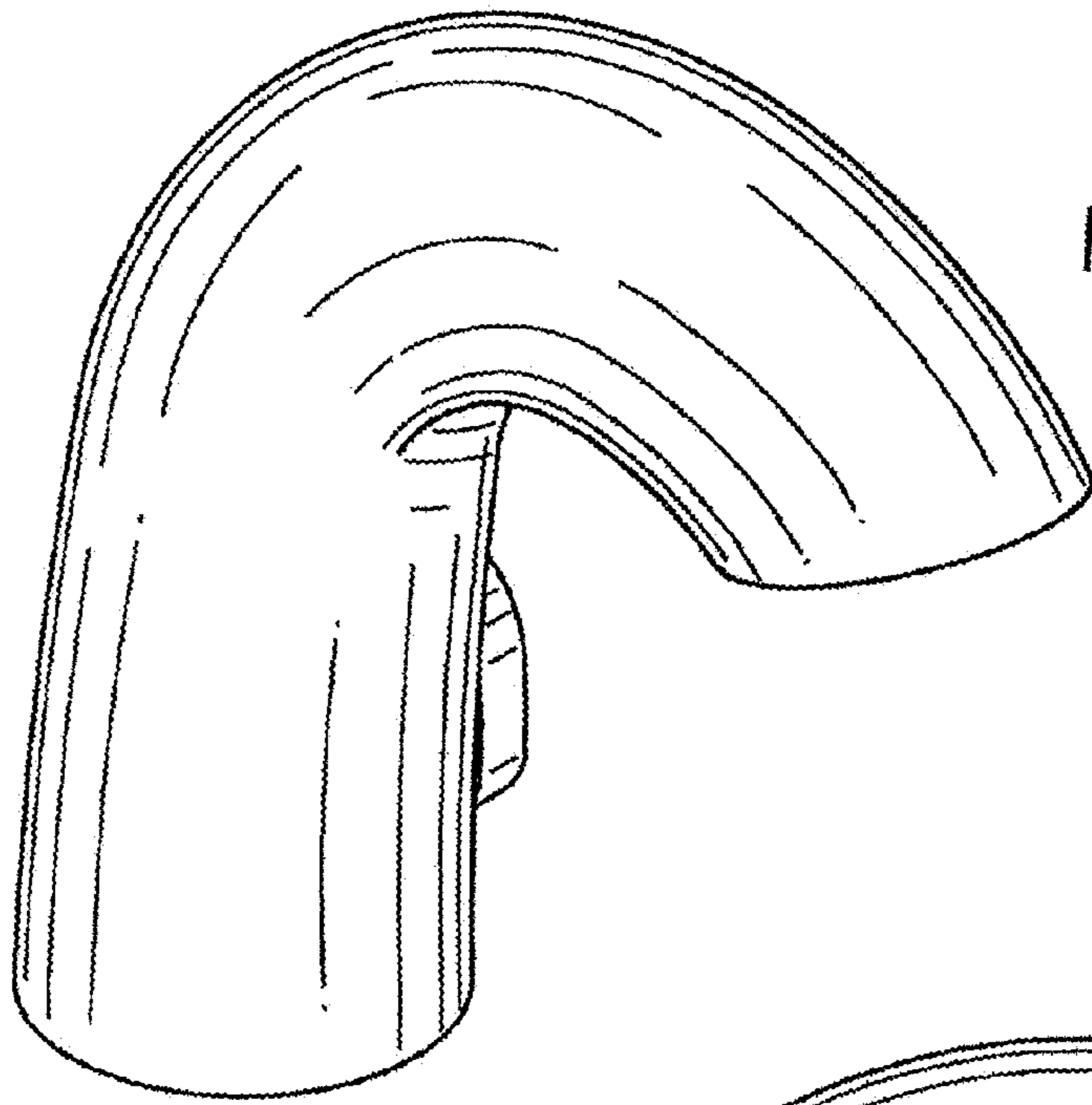


FIG. 1

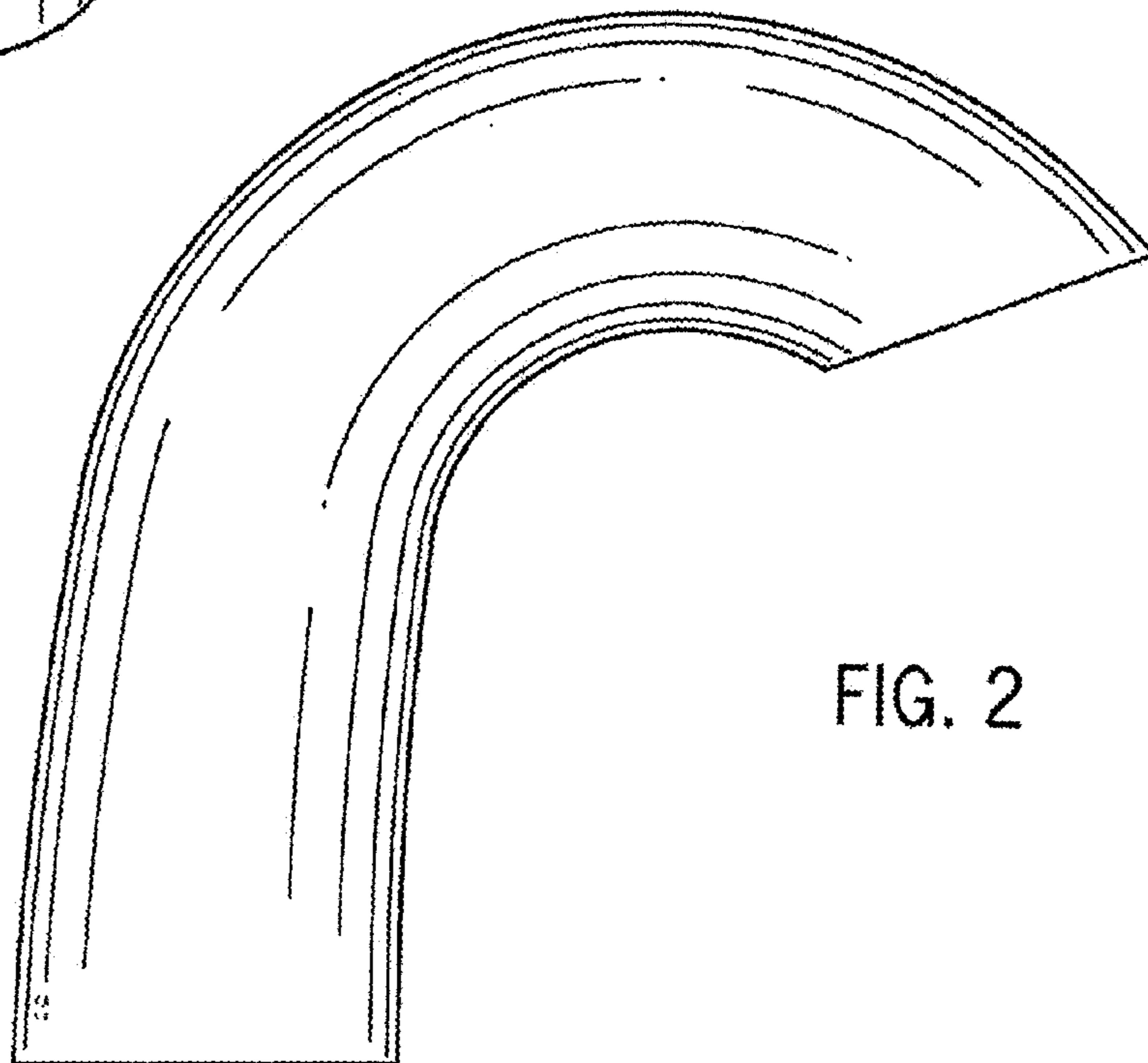


FIG. 2

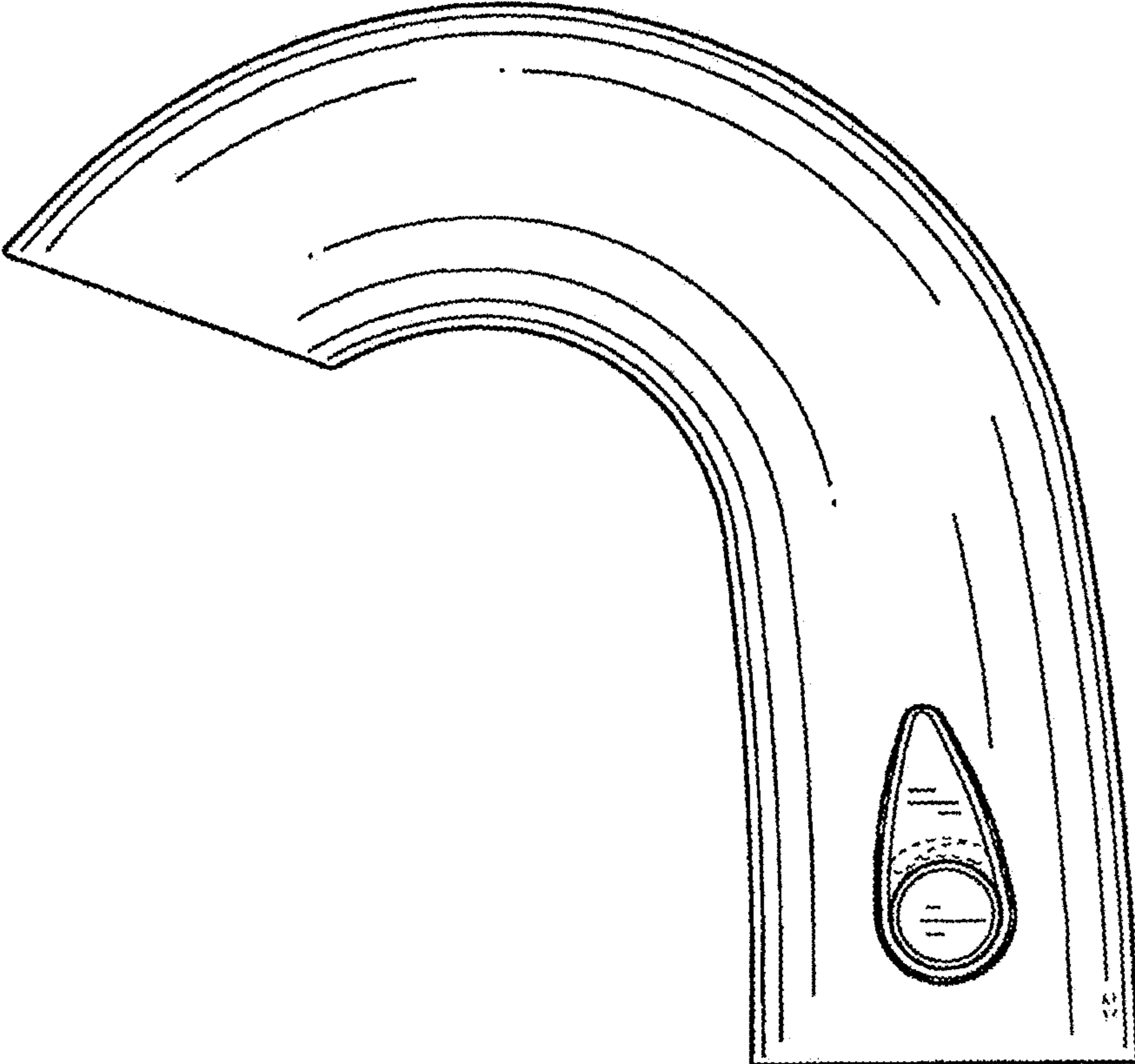


FIG. 3

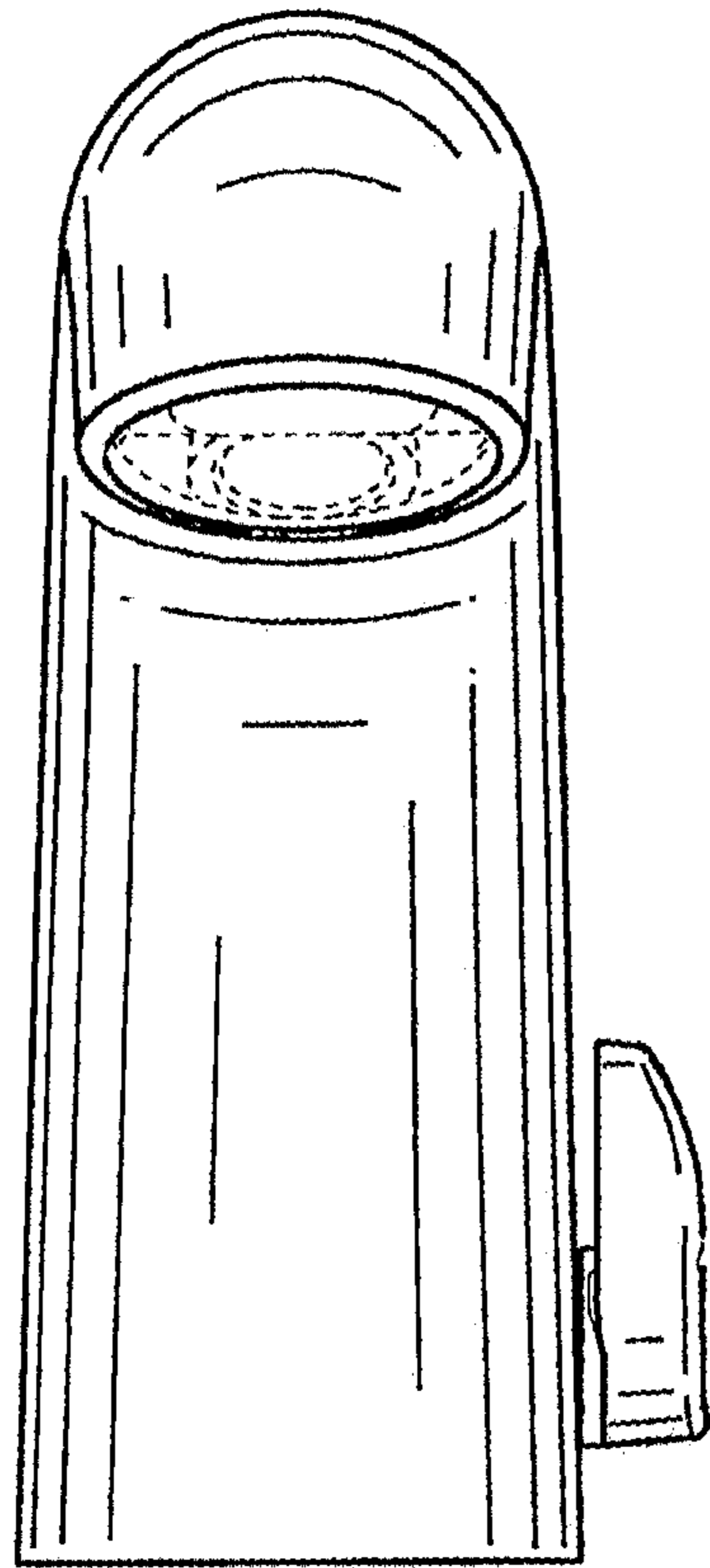


FIG. 4

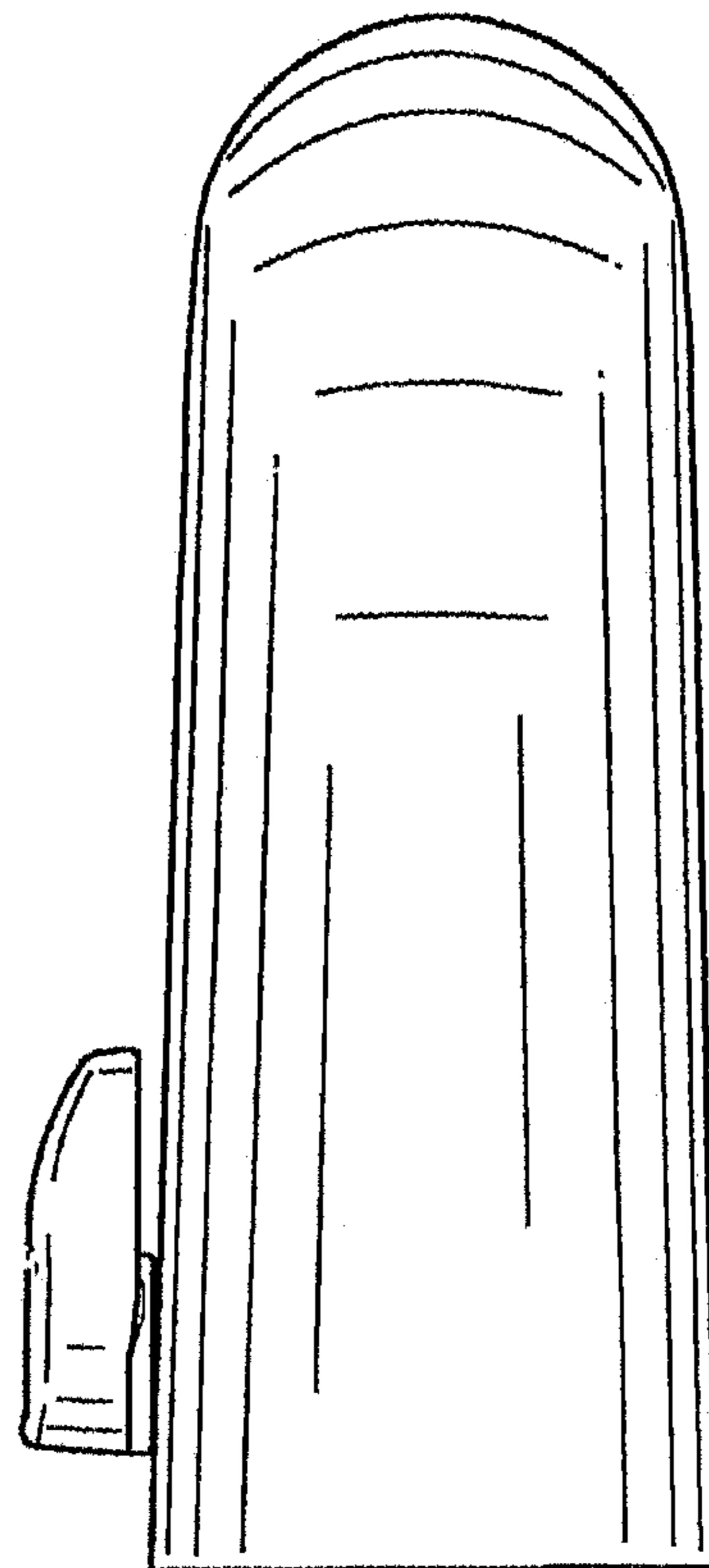


FIG. 5

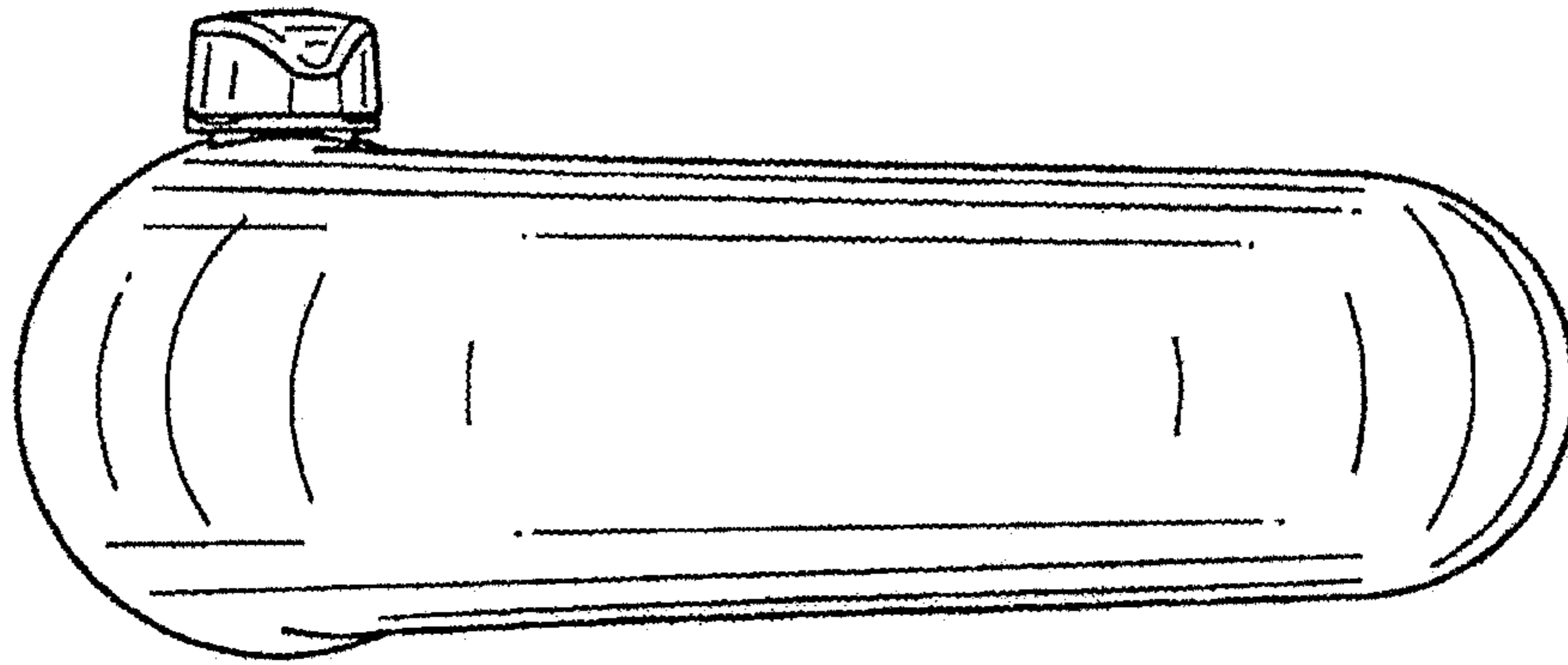


FIG. 6

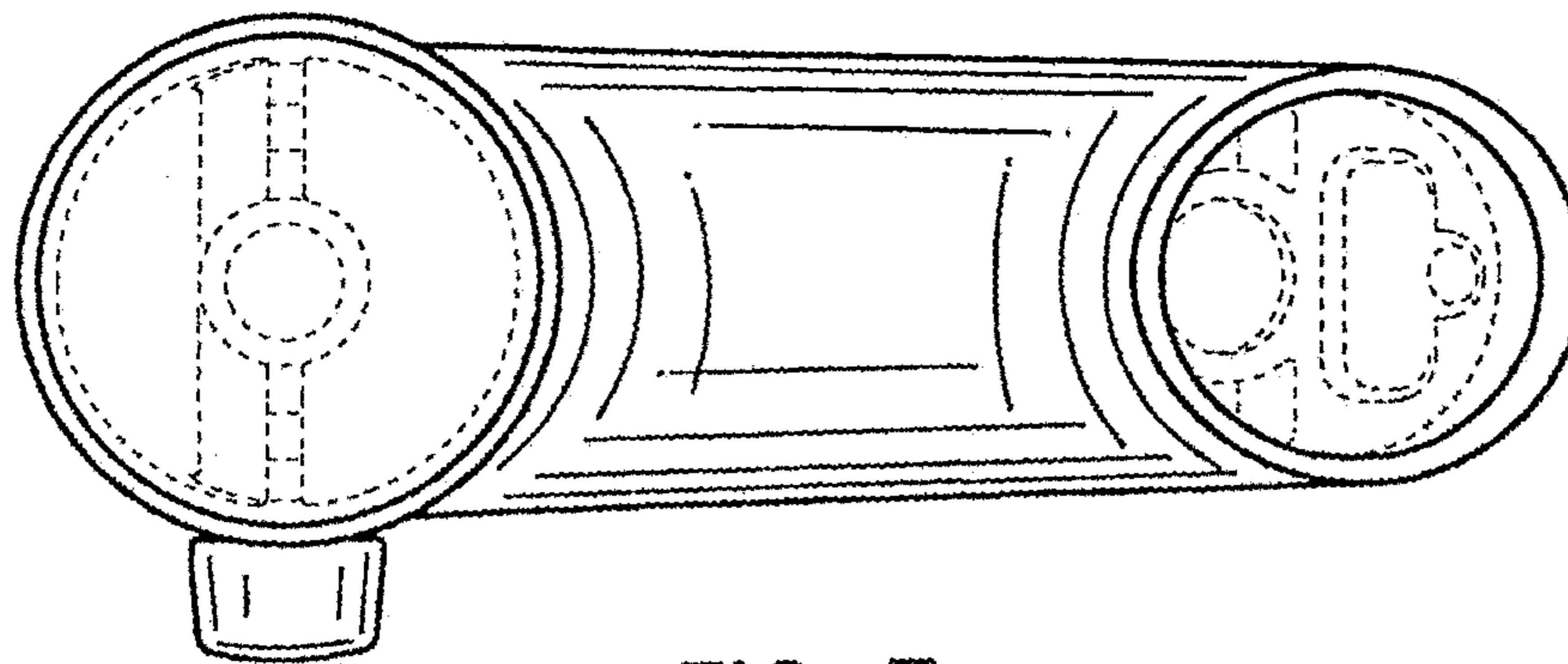


FIG. 7