



US00D774170S

(12) **United States Design Patent** (10) **Patent No.:** **US D774,170 S**
Lammel (45) **Date of Patent:** **** Dec. 13, 2016**

(54) **FAUCET**

(71) Applicant: **Franke Water Systems AG**, Unterkulm (CH)

(72) Inventor: **Michael Lammel**, Aachen (DE)

(73) Assignee: **Franke Water Systems AG**, Unterkulm (CH)

(**) Term: **15 Years**

(21) Appl. No.: **29/533,622**

(22) Filed: **Jul. 20, 2015**

(30) **Foreign Application Priority Data**

Jan. 21, 2015 (WO) 867716501

(51) **LOC (10) Cl.** **23-01**

(52) **U.S. Cl.**
USPC **D23/255**

(58) **Field of Classification Search**
USPC D23/238, 241-243, 249, 255, 257
CPC E03C 1/04; E03C 1/0401; E03C 1/0402;
E03C 1/0404; F16K 31/602; F16K
31/605; F16K 31/607

See application file for complete search history.

(56) **References Cited**

U.S. PATENT DOCUMENTS

D620,558 S *	7/2010	Krumpe	D23/238
D657,439 S *	4/2012	Lammel	D23/255
D659,224 S	5/2012	Lammel et al.		
D660,944 S	5/2012	Lammel et al.		
D757,902 S *	5/2016	Schoenherr	D23/238

* cited by examiner

Primary Examiner — Robert Delehanty

(74) *Attorney, Agent, or Firm* — Oblon, McClelland, Maier & Neustadt, L.L.P.

(57) **CLAIM**

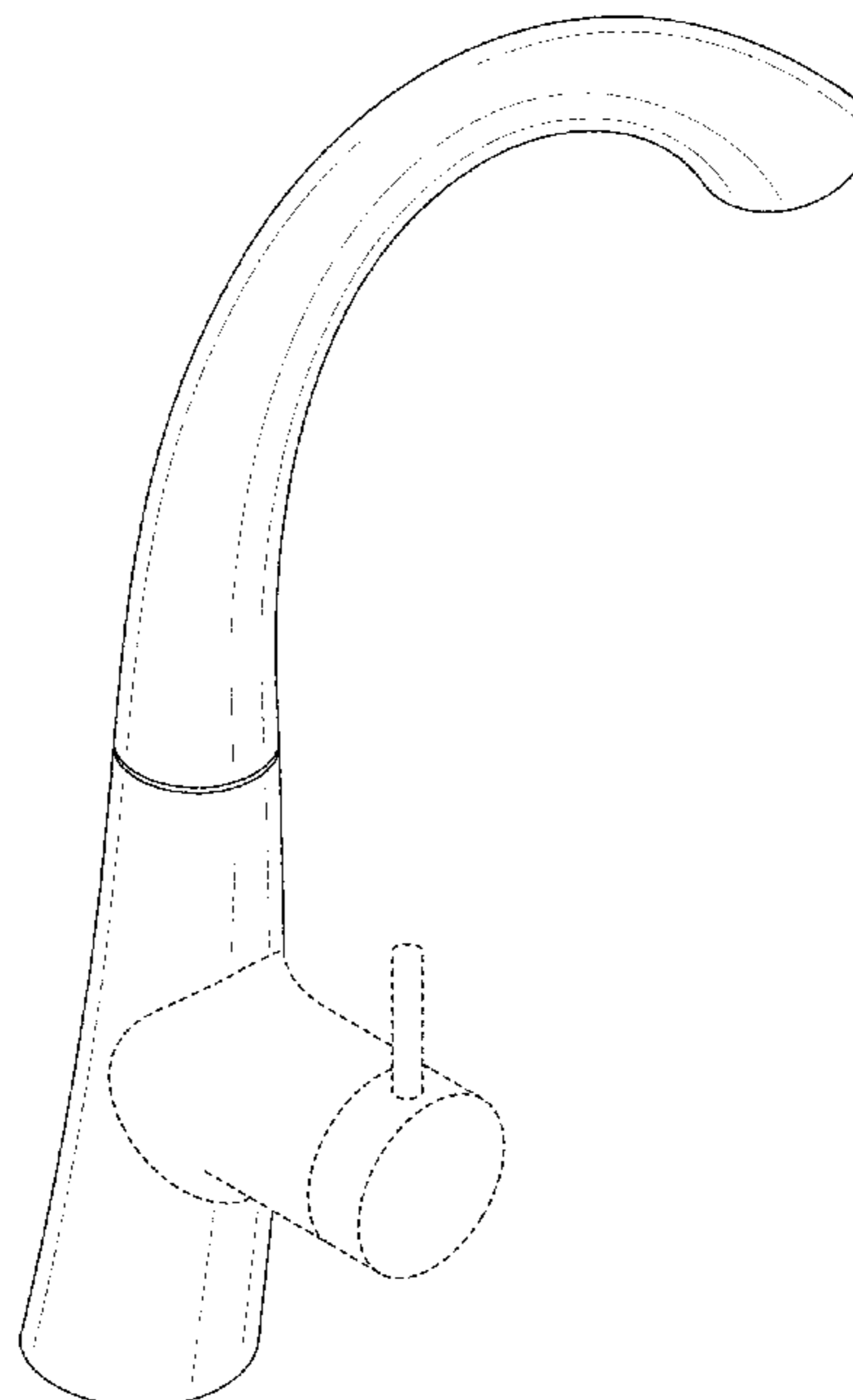
The ornamental design for a faucet, as shown and described.

DESCRIPTION

FIG. 1 is a rear, top, and left side perspective view of a first embodiment of a faucet;
 FIG. 2 is a front elevational view thereof;
 FIG. 3 is a rear elevational view thereof;
 FIG. 4 is a left side elevational view thereof;
 FIG. 5 is a right side elevational view thereof;
 FIG. 6 is a top plan view thereof;
 FIG. 7 is a bottom plan view thereof;
 FIG. 8 is a rear, top, and left side perspective view of a second embodiment of a faucet;
 FIG. 9 is a front elevational view thereof;
 FIG. 10 is a rear elevational view thereof;
 FIG. 11 is a left side elevational view thereof;
 FIG. 12 is a right side elevational view thereof;
 FIG. 13 is a top plan view thereof;
 FIG. 14 is a bottom plan view thereof;
 FIG. 15 is a rear, top, and left side perspective view of a third embodiment of a faucet;
 FIG. 16 is a rear elevational view thereof;
 FIG. 17 is a front elevational view thereof;
 FIG. 18 is a left side elevational view thereof;
 FIG. 19 is a right side elevational view thereof;
 FIG. 20 is a top plan view thereof; and
 FIG. 21 is a bottom plan view thereof.

The broken lines in the drawings illustrate environmental subject matter and form no part of the claimed design.

1 Claim, 21 Drawing Sheets



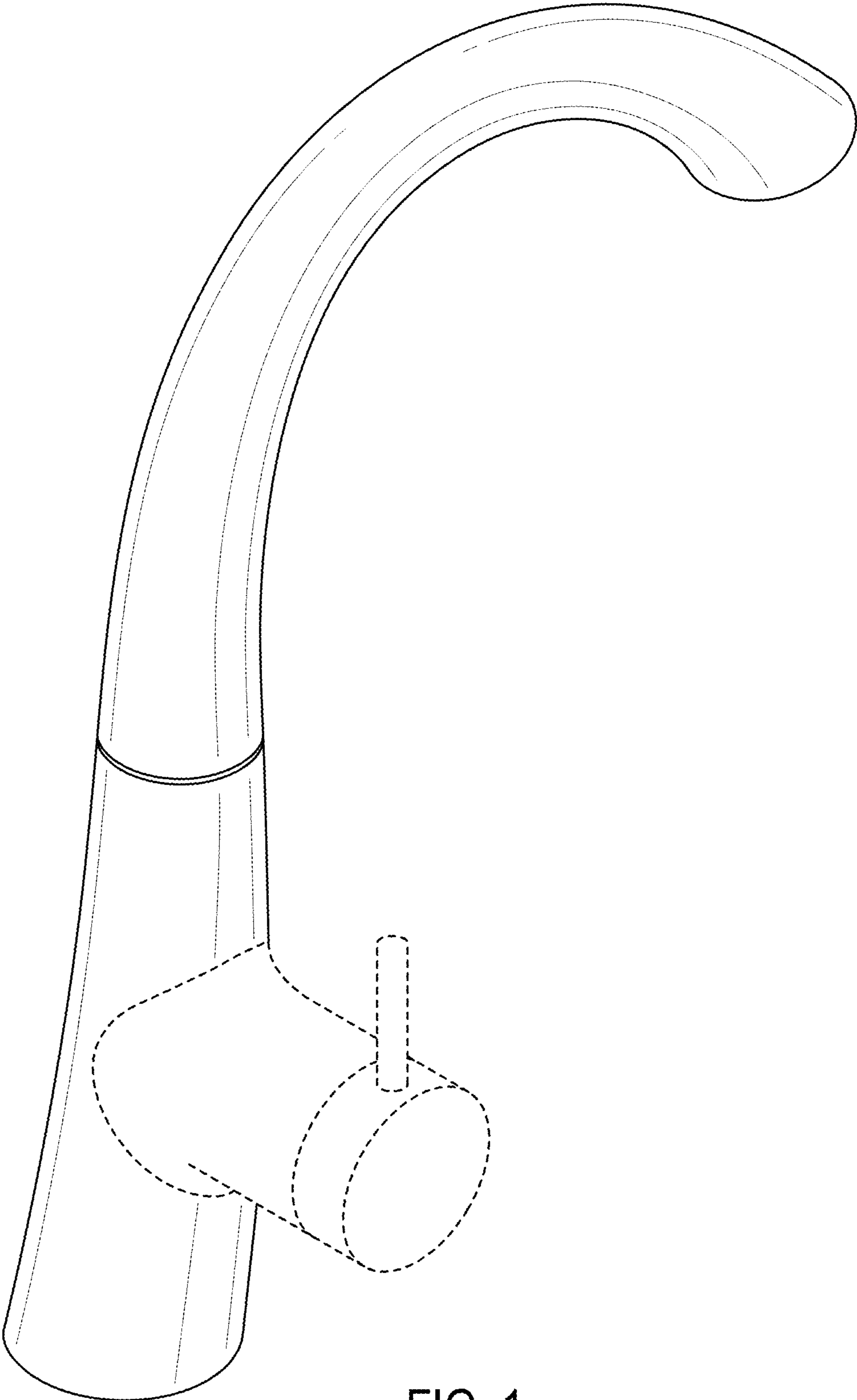


FIG. 1

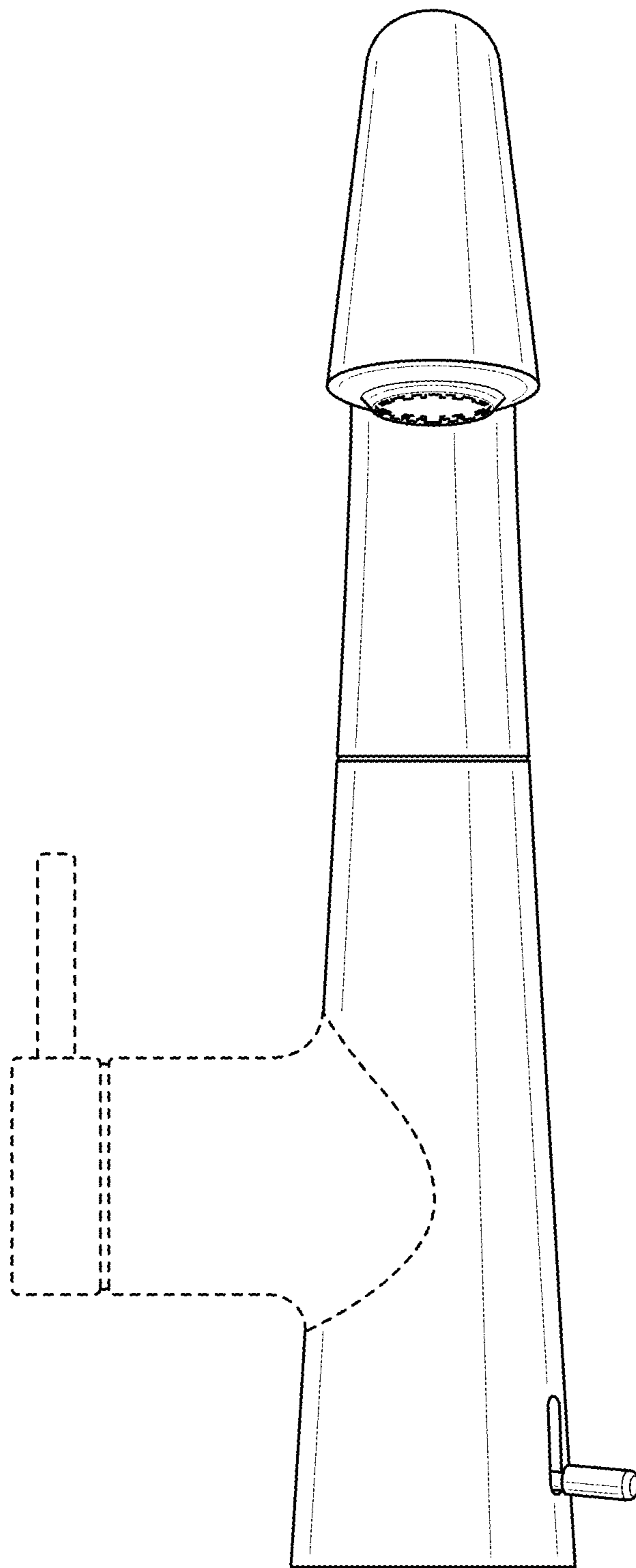


FIG. 2

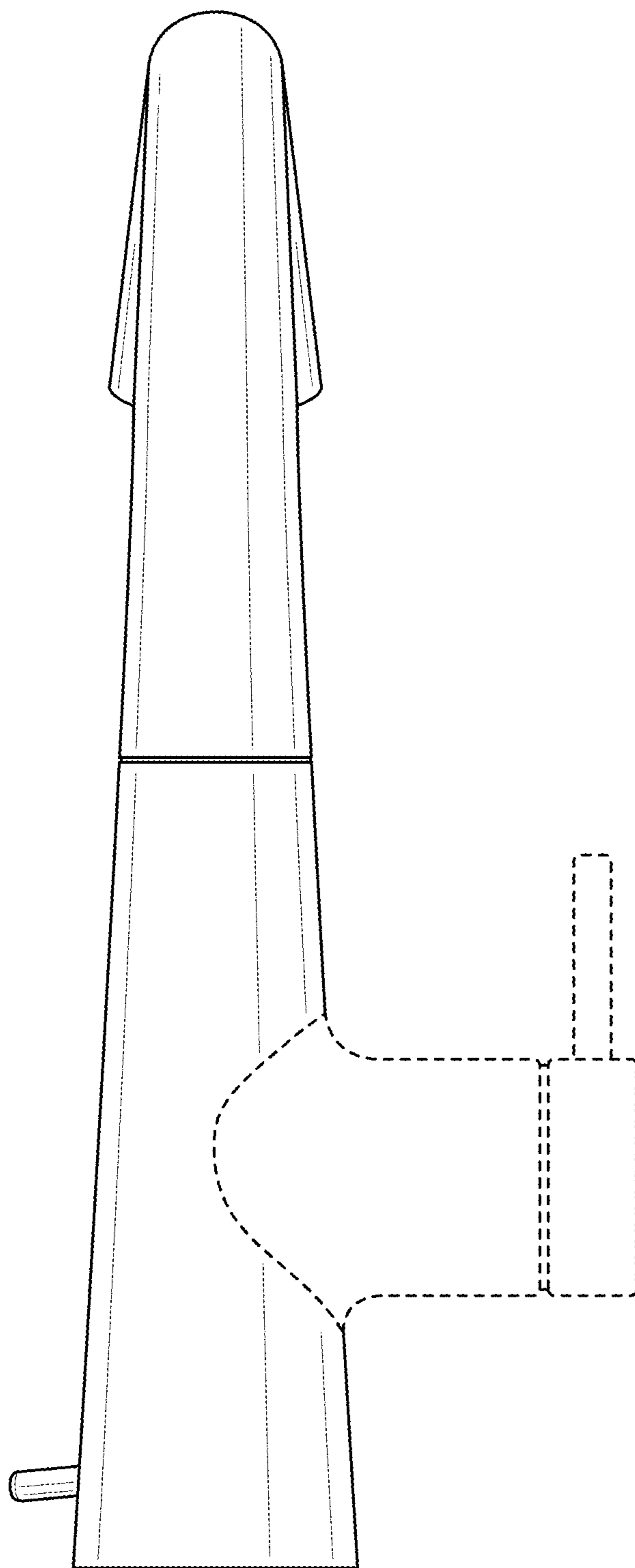


FIG. 3

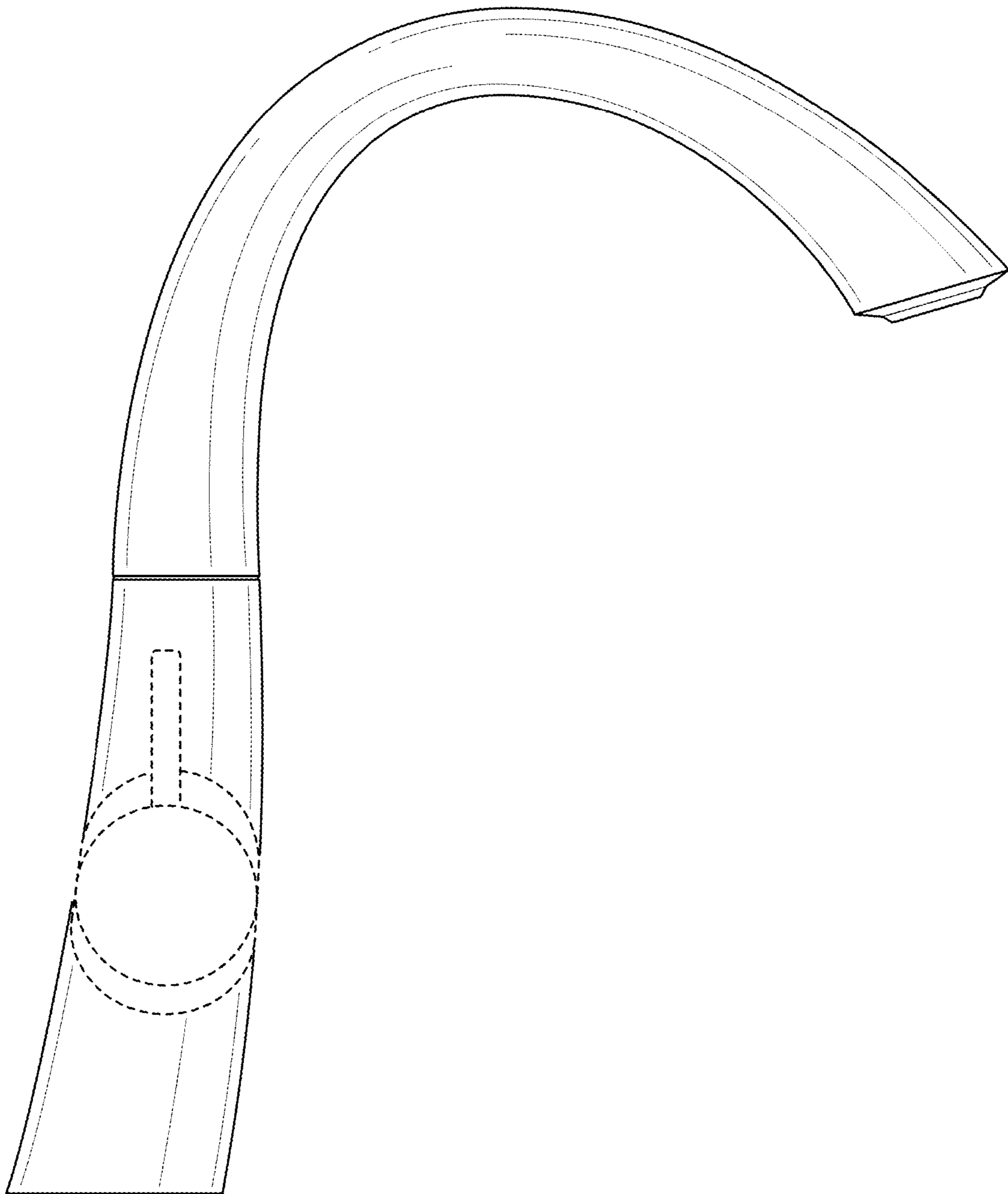


FIG. 4

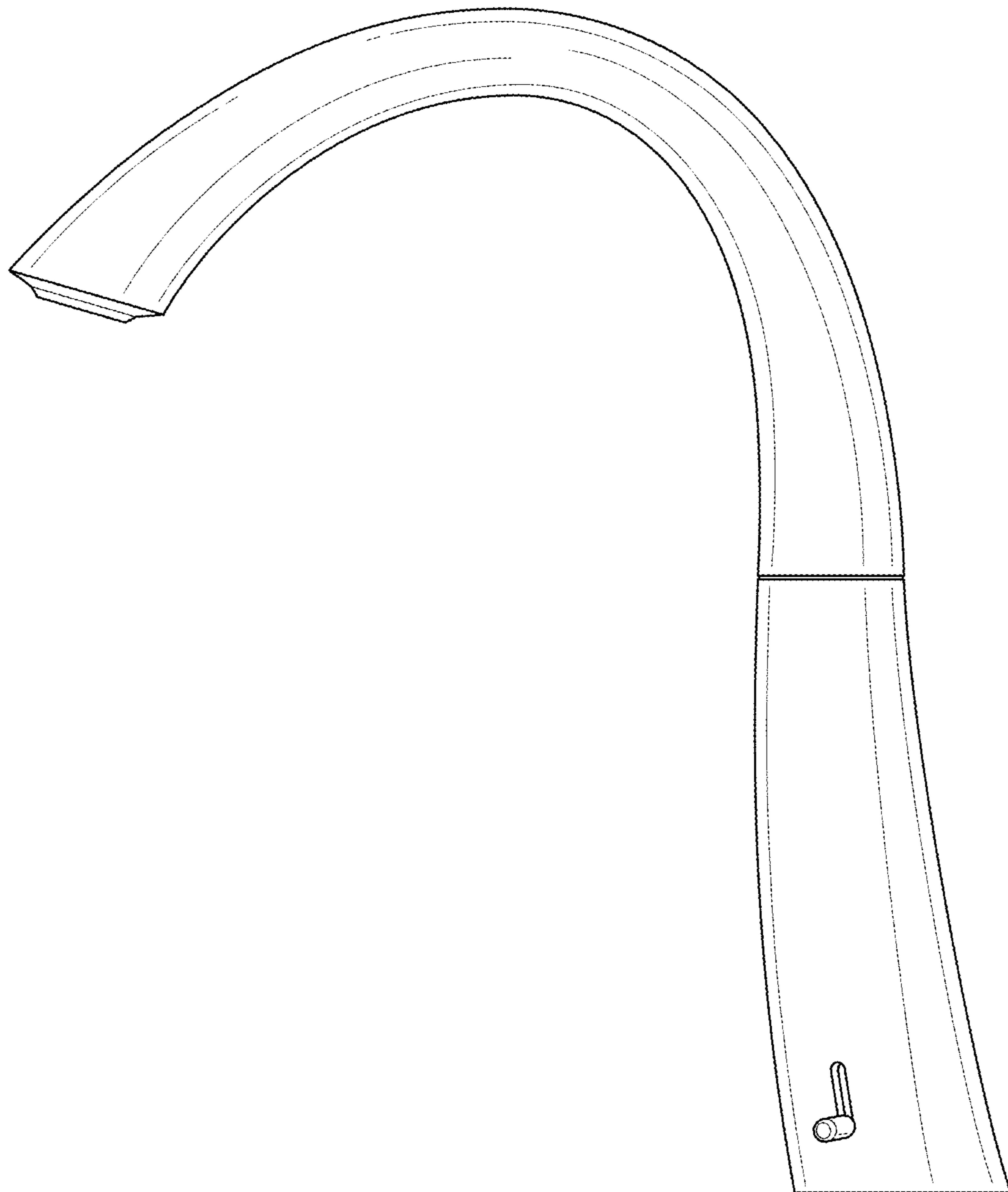


FIG. 5

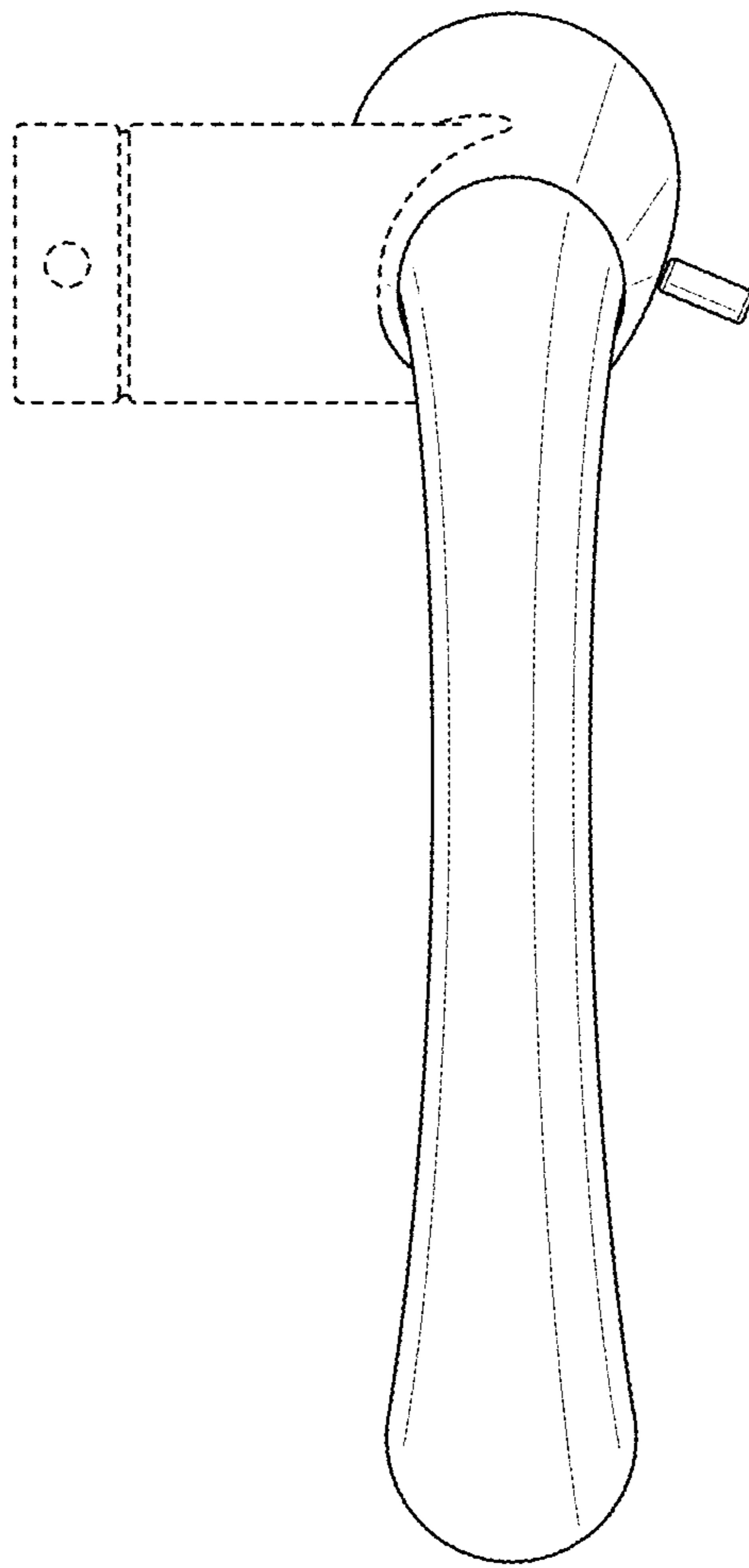


FIG. 6

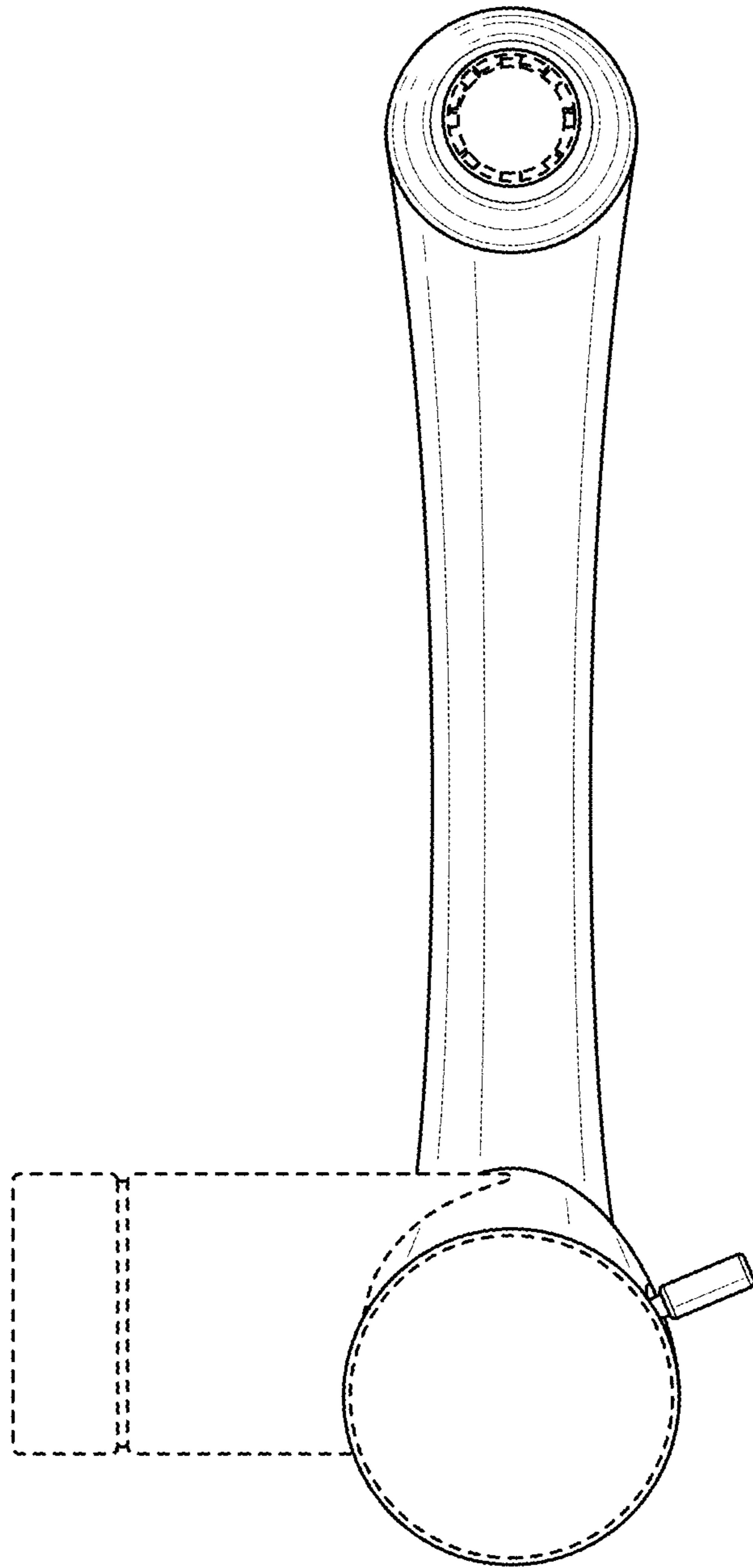


FIG. 7

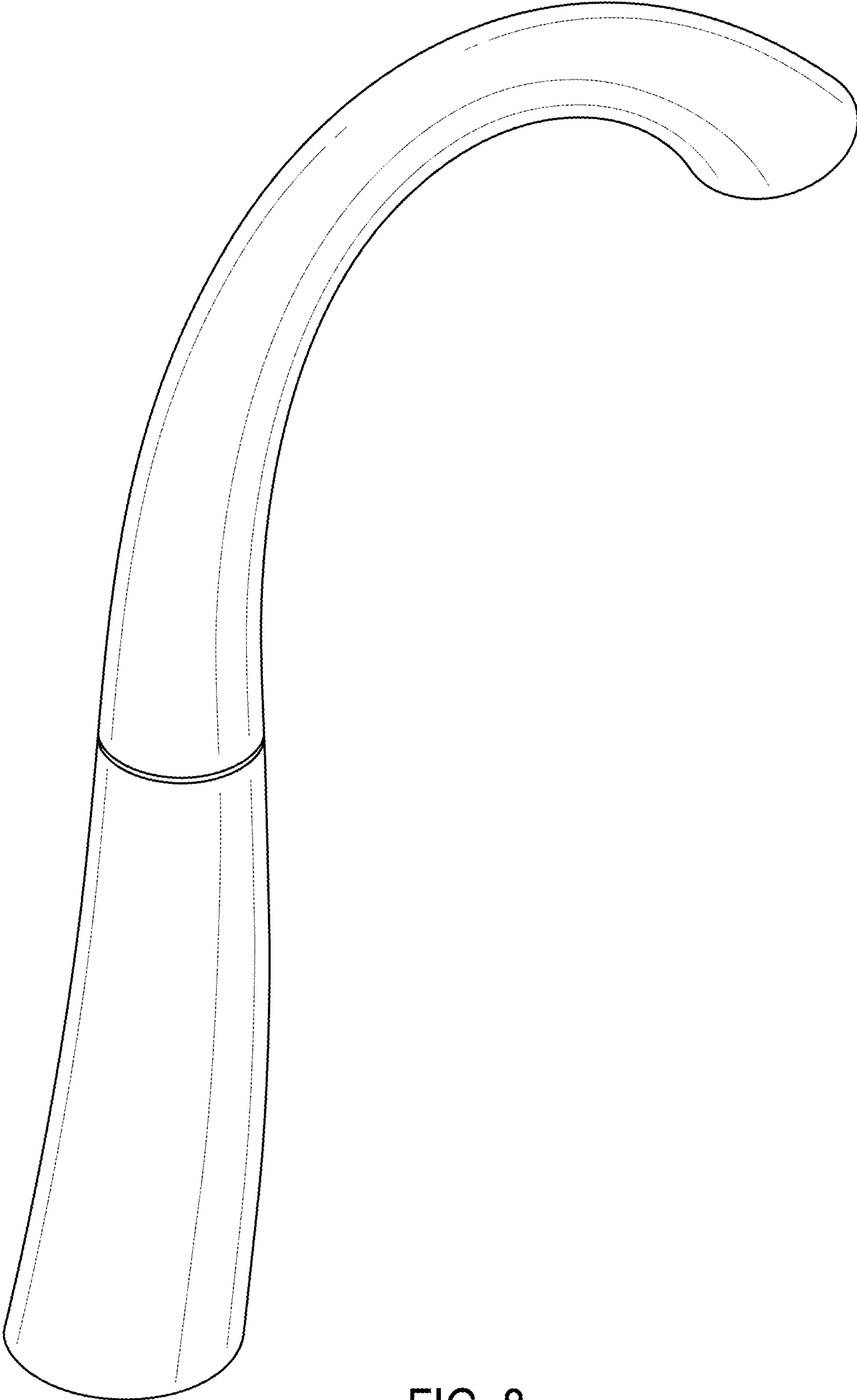


FIG. 8

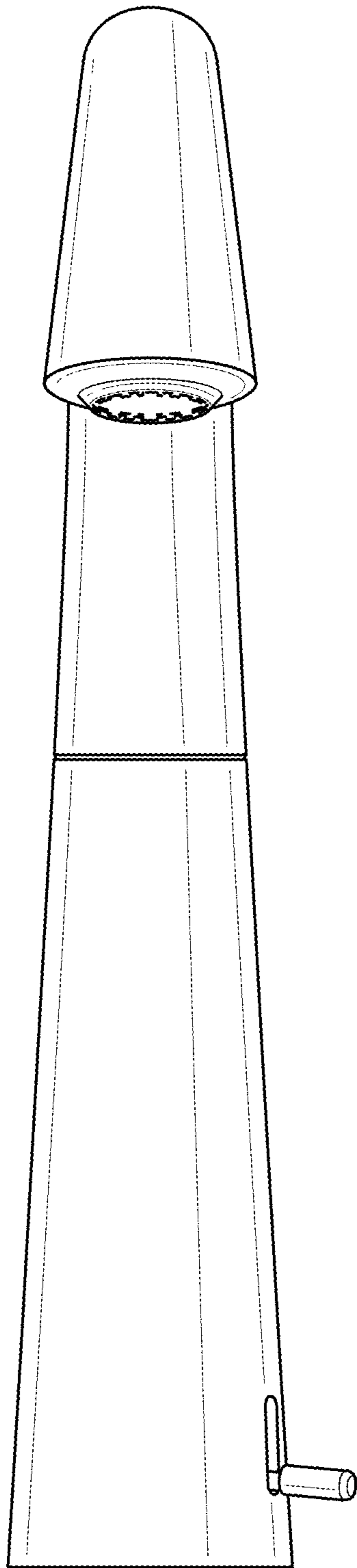


FIG. 9

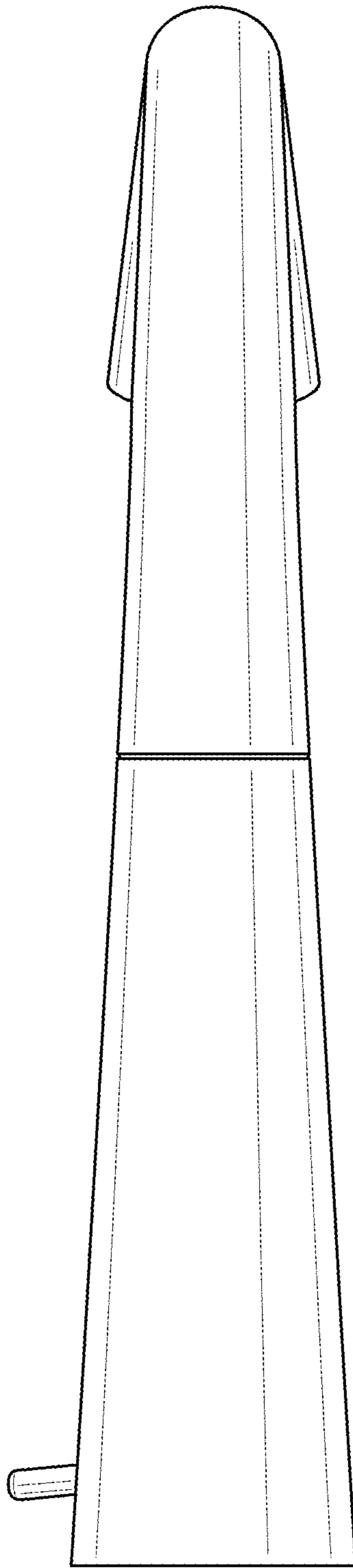


FIG. 10

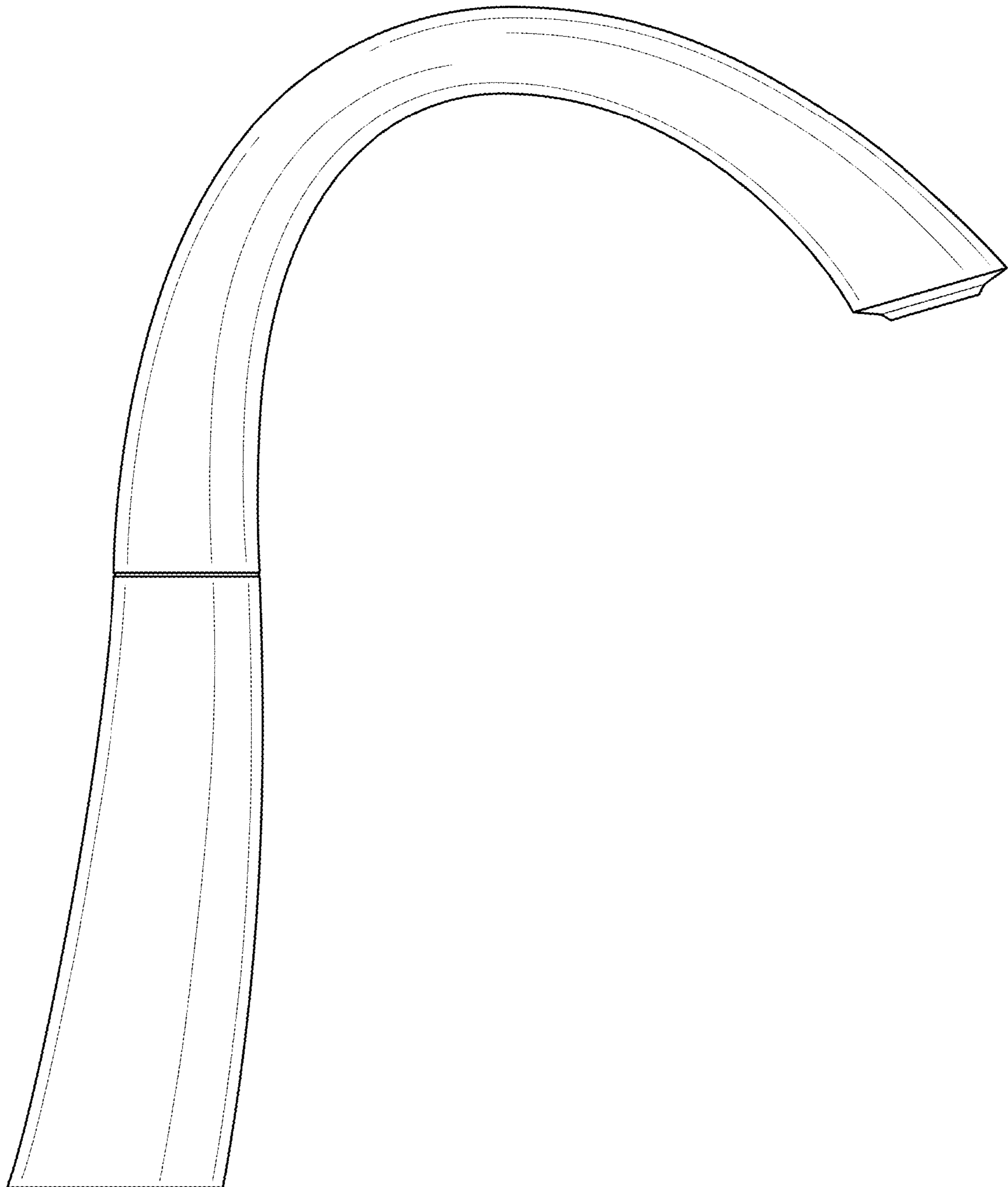


FIG. 11

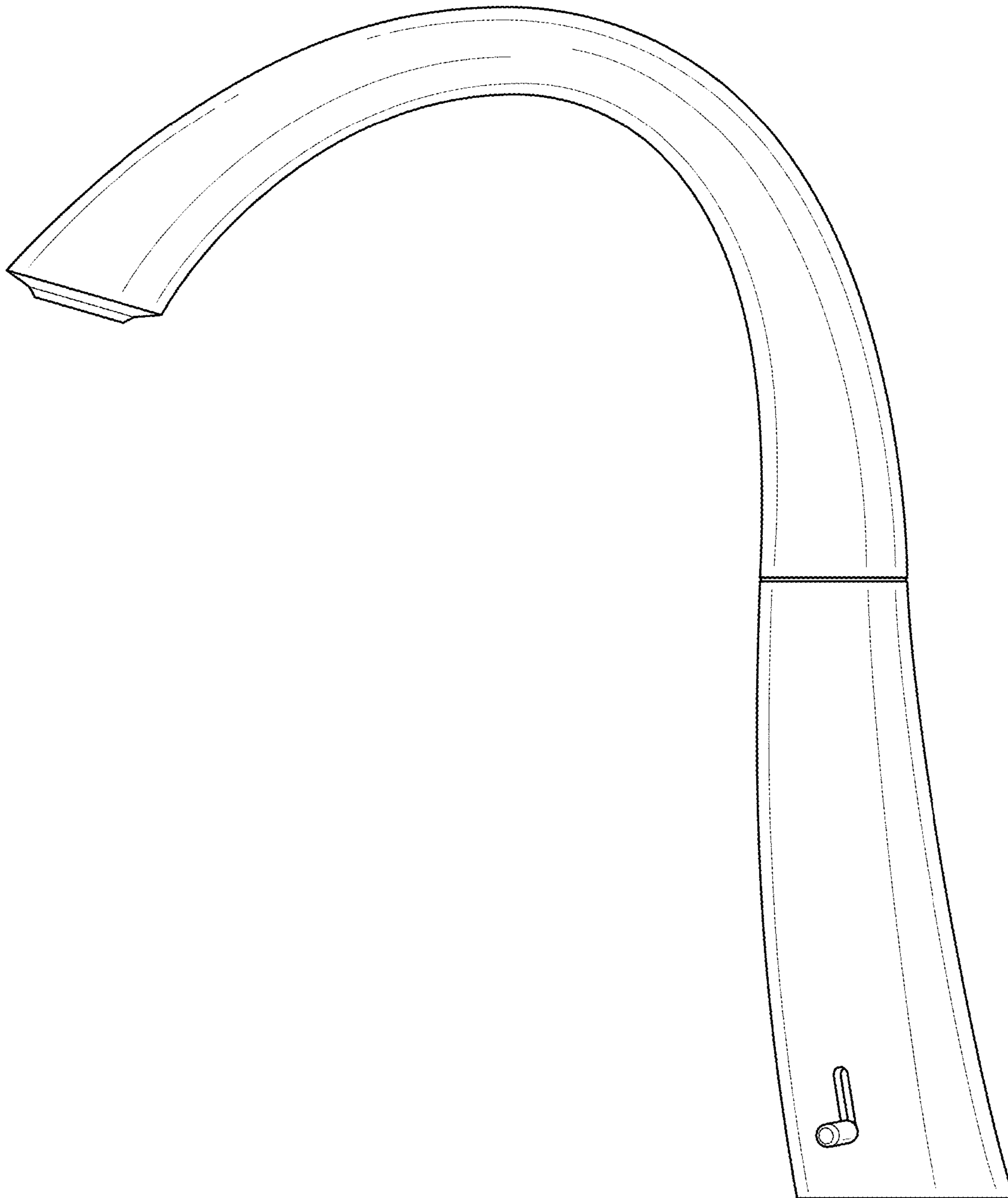


FIG. 12

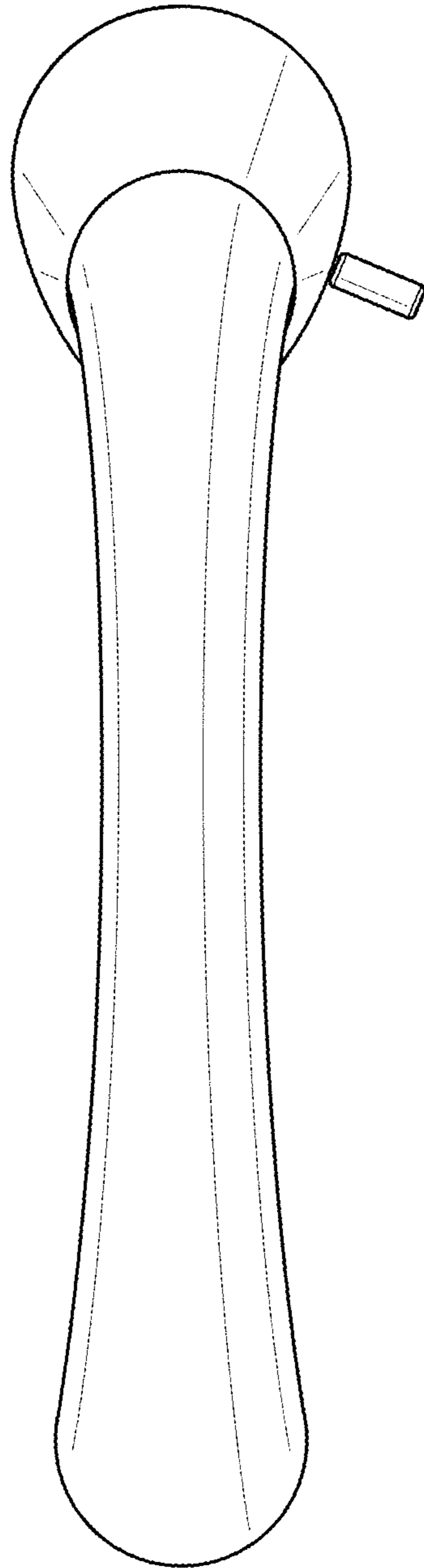


FIG. 13

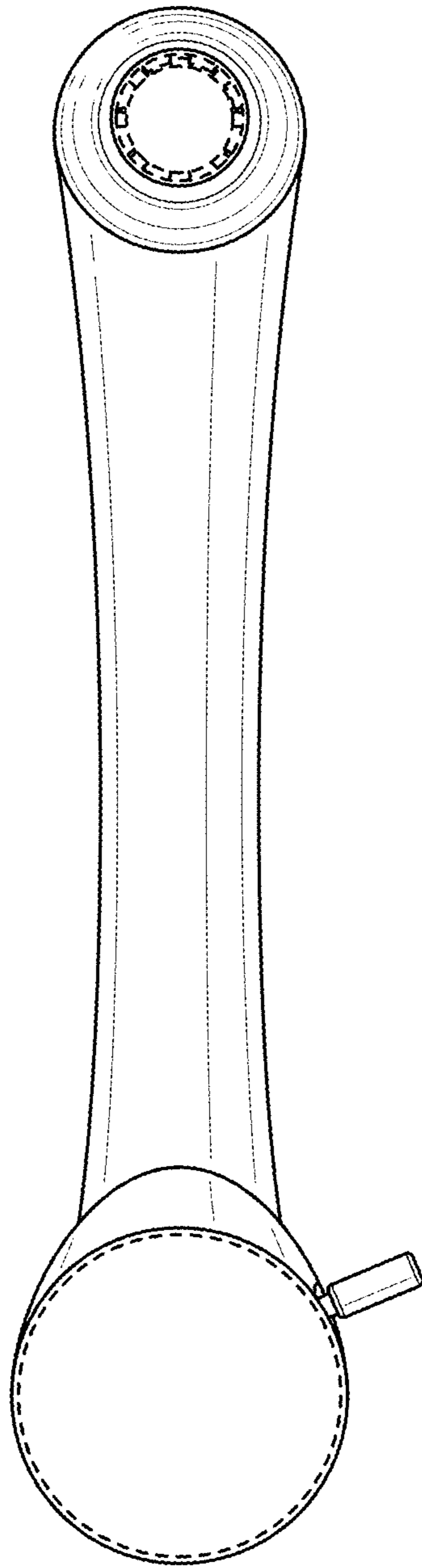


FIG. 14

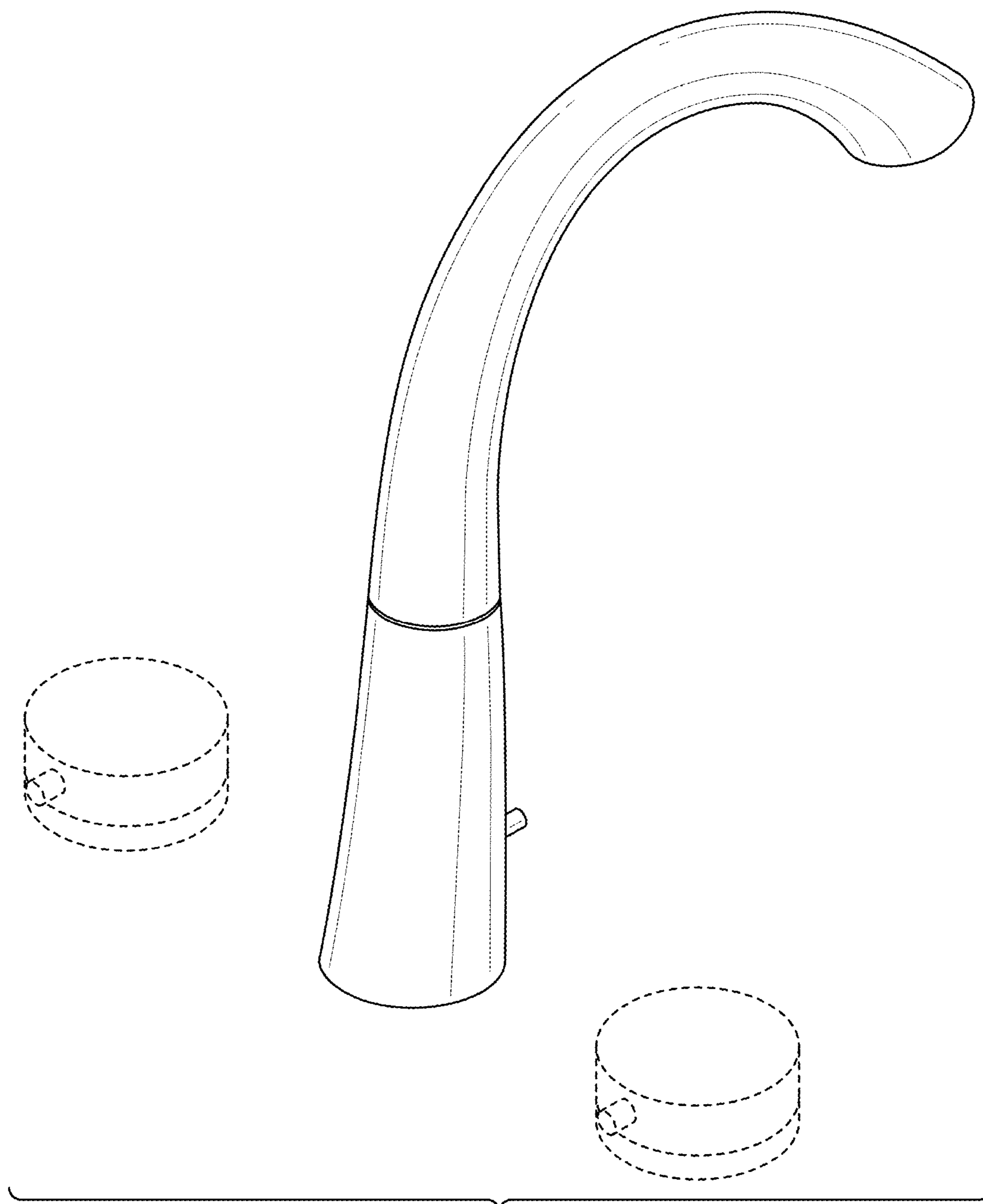


FIG. 15

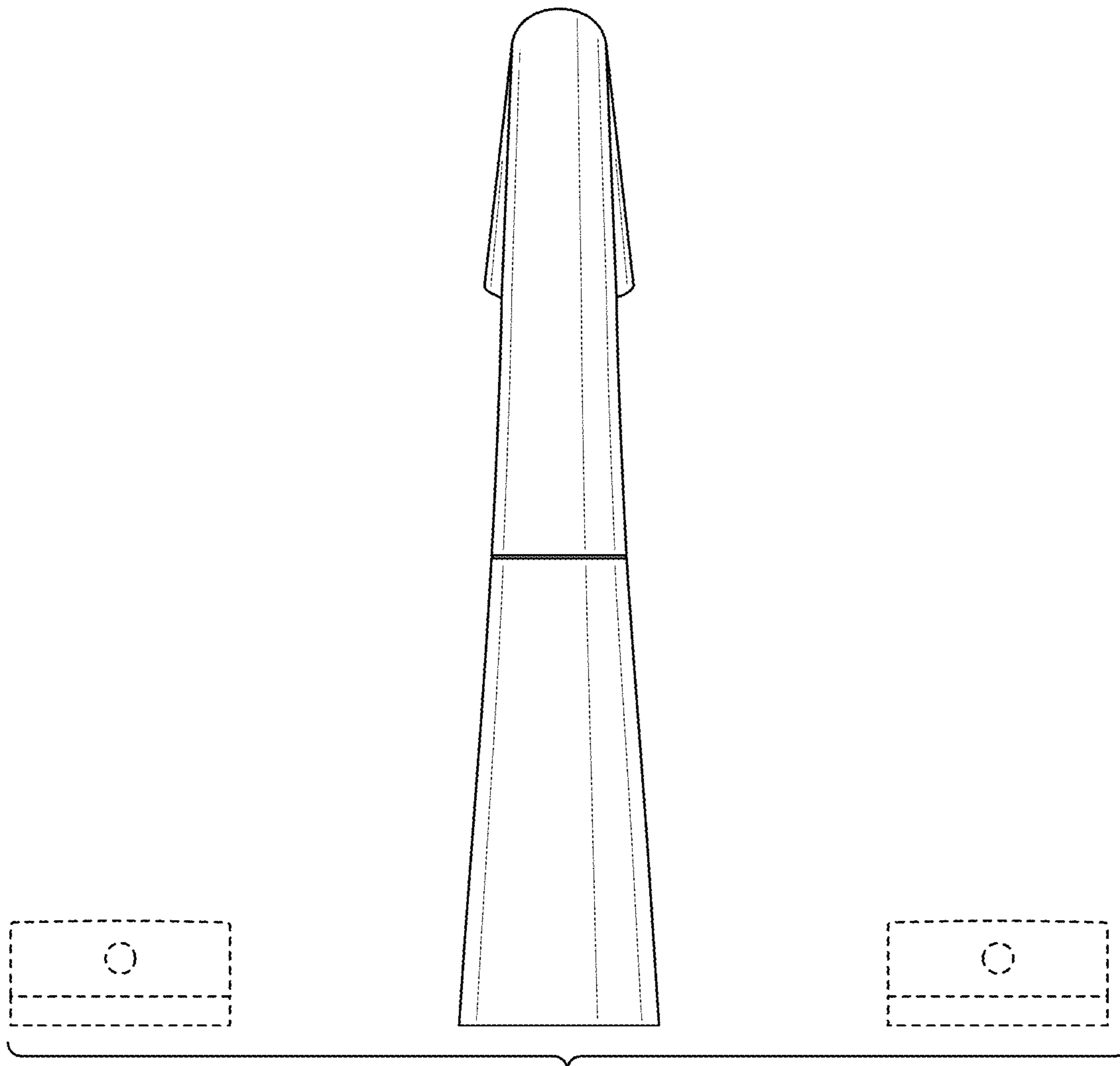


FIG. 16

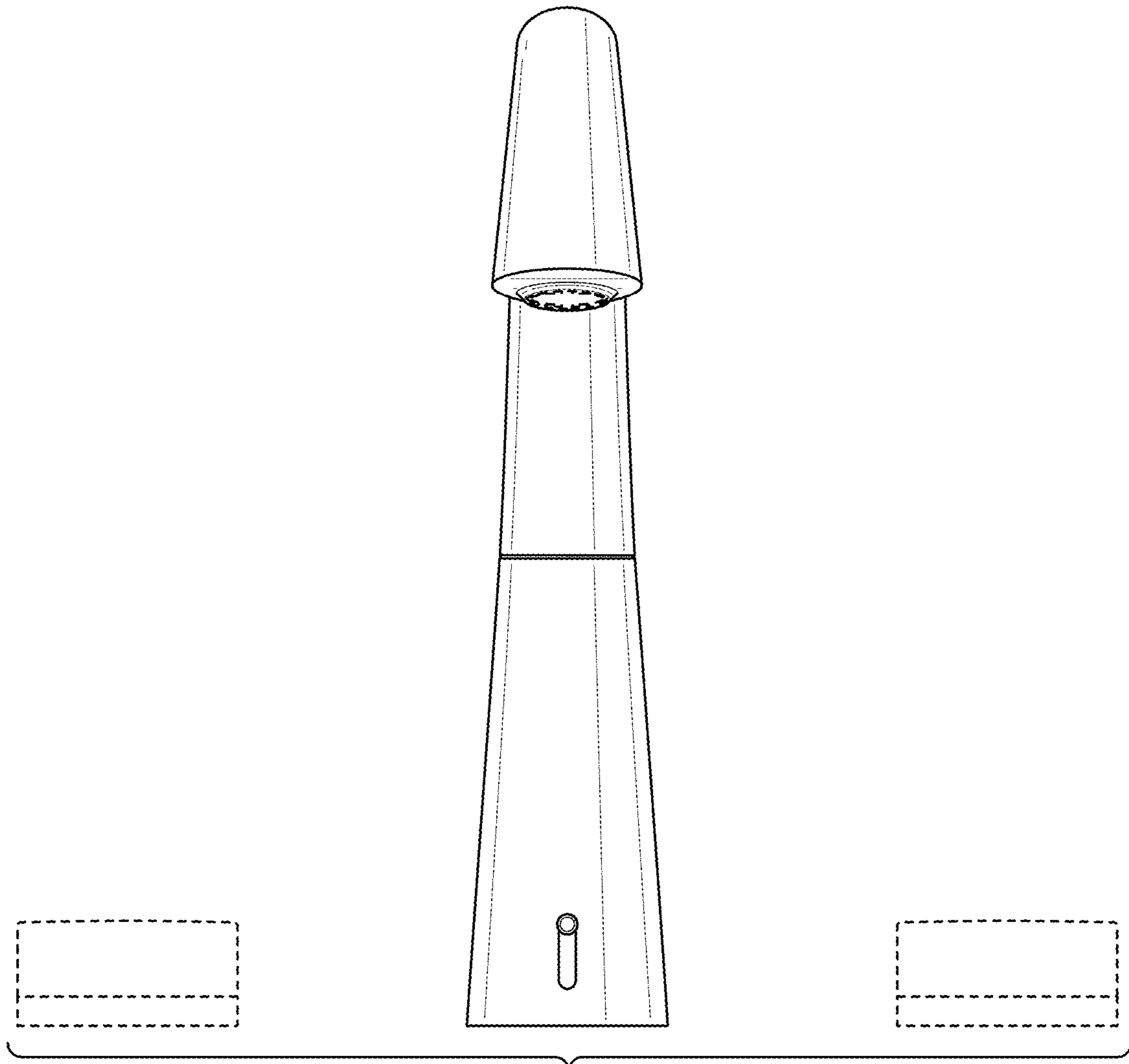


FIG. 17

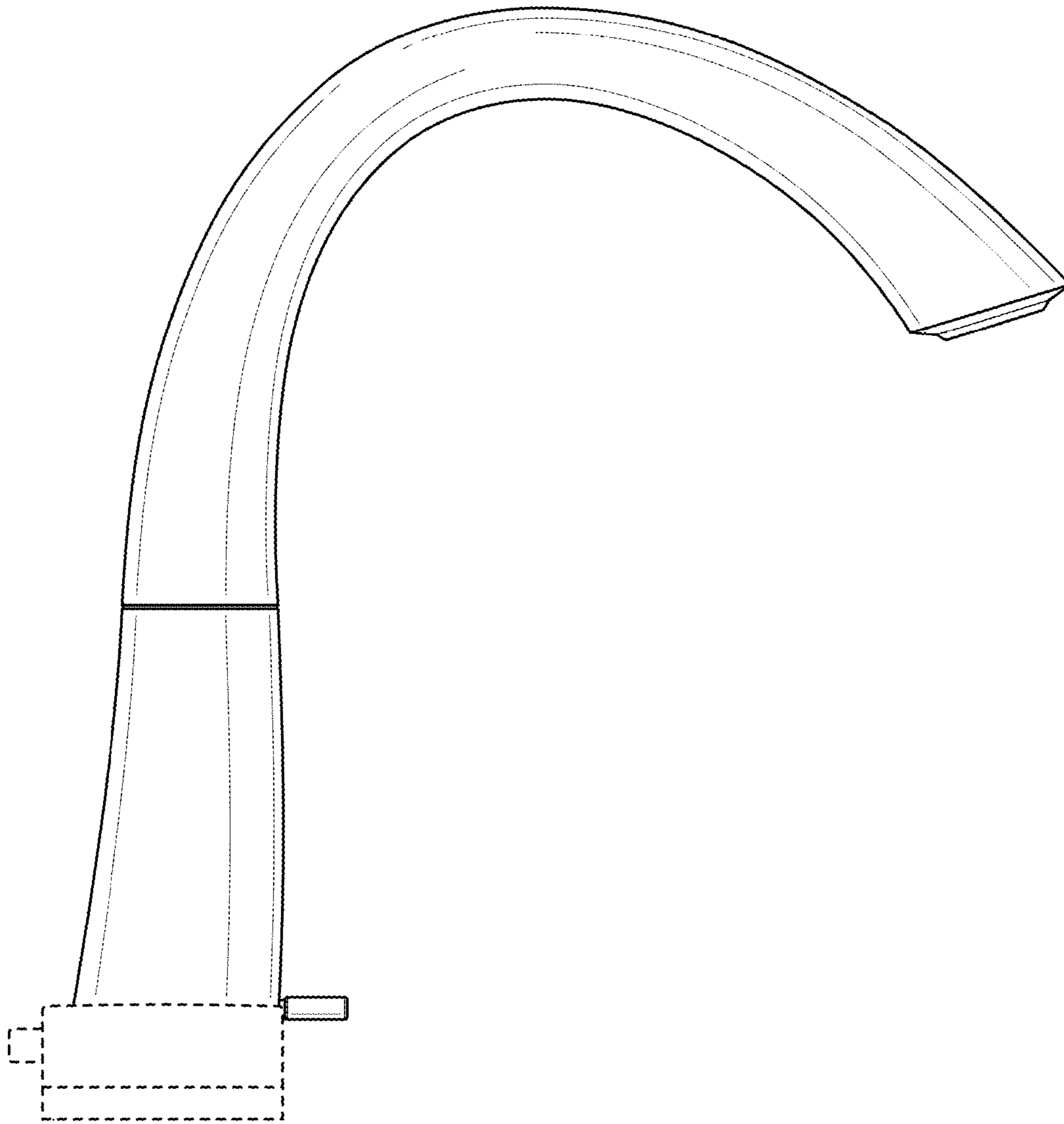


FIG. 18

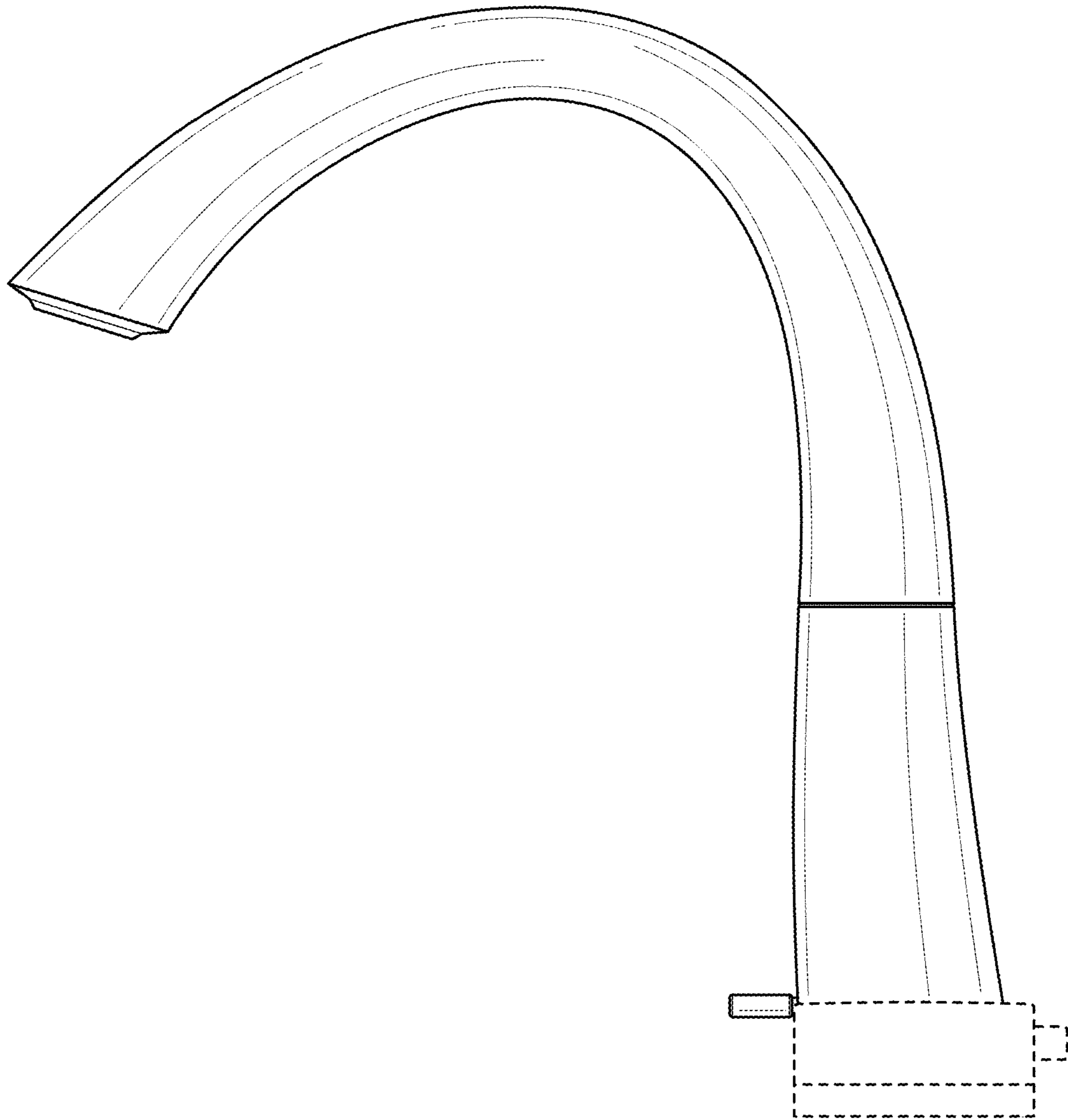


FIG. 19

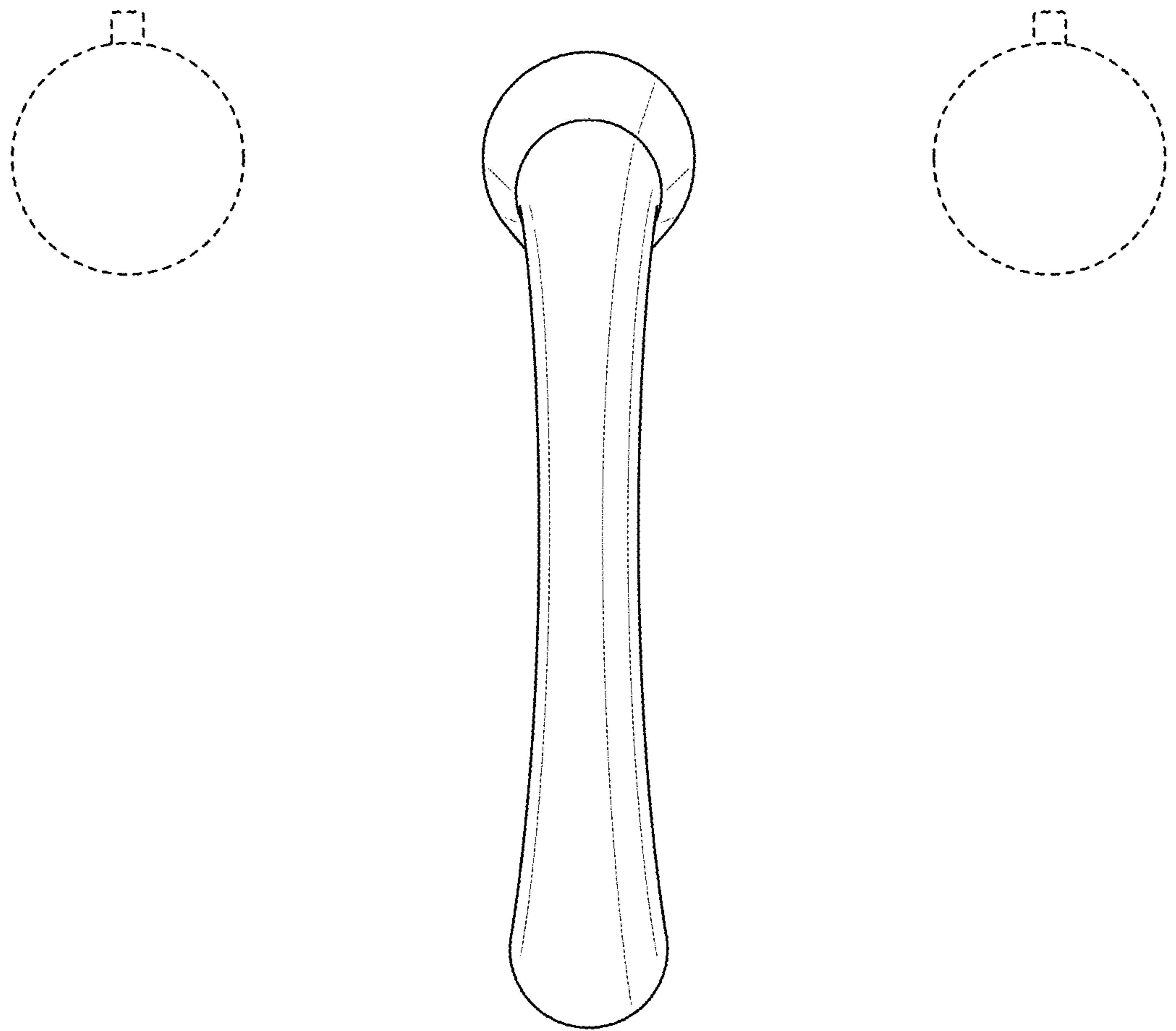


FIG. 20

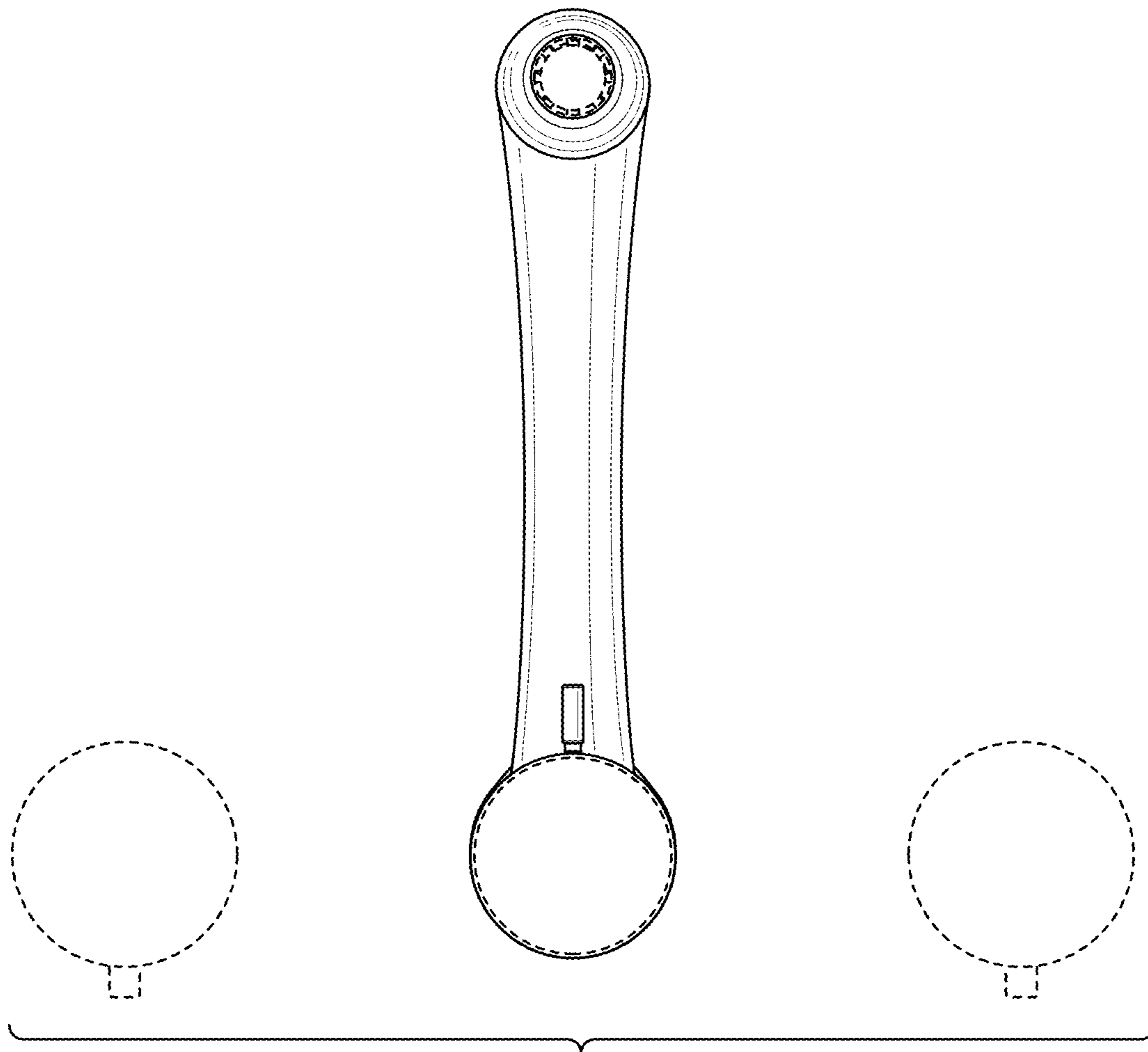


FIG. 21