



US00D774167S

(12) **United States Design Patent** (10) **Patent No.:** **US D774,167 S**
Herrick et al. (45) **Date of Patent:** **** Dec. 13, 2016**

- (54) **FRONT MANIFOLD LEVER**
- (71) Applicant: **RODDIE, INC.**, Columbia Falls, MT (US)
- (72) Inventors: **Rod Herrick**, Whitefish, MT (US);
Jared W Shappell, Kalispell, MT (US)
- (73) Assignee: **Roddie, Inc.**, Columbia Falls, MT (US)
- (**) Term: **15 Years**
- (21) Appl. No.: **29/535,367**
- (22) Filed: **Aug. 5, 2015**
- (51) **LOC (10) Cl.** **23-01**
- (52) **U.S. Cl.**
USPC **D23/245**
- (58) **Field of Classification Search**
USPC D23/233-250; 137/625, 861, 15.8, 597,
137/884, 1.21, 561 A, 885, 595, 596.12,
605, 137/606, 637, 862; 123/184.56,
184.53, 184.61, 123/337, 90.13, 184.21,
184.47, 184.52; 74/519, 488, 491, 40, 45,
469
CPC F16K 27/0236; F16K 27/12; F16K 1/306
See application file for complete search history.

- 4,028,958 A * 6/1977 Schuermann G05G 9/047
137/636.2
- 5,062,516 A * 11/1991 Prince B63H 21/213
477/111
- D521,598 S * 5/2006 Bates D23/233
- D521,599 S * 5/2006 Bates D23/233
- D686,298 S * 7/2013 Ching D23/233
- D752,183 S * 3/2016 Hsu D23/233
- 2009/0100955 A1* 4/2009 Herrick G05G 1/04
74/491

* cited by examiner

Primary Examiner — Cynthia Ramirez

Assistant Examiner — Gino Colan

(74) *Attorney, Agent, or Firm* — Robin Kelson Consulting

(57) **CLAIM**

We claim the ornamental design for the front manifold lever, as shown and described.

DESCRIPTION

FIG. 1 is a front view of a front manifold lever in accordance with the present design;
 FIG. 2 is a rear view thereof;
 FIG. 3 is a left side view thereof;
 FIG. 4 is a right side view thereof;
 FIG. 5 is a top view thereof;
 FIG. 6 is a bottom view thereof;
 FIG. 7 is one front perspective view thereof; and,
 FIG. 8 is another front perspective view thereof, showing lever in a different orientation.

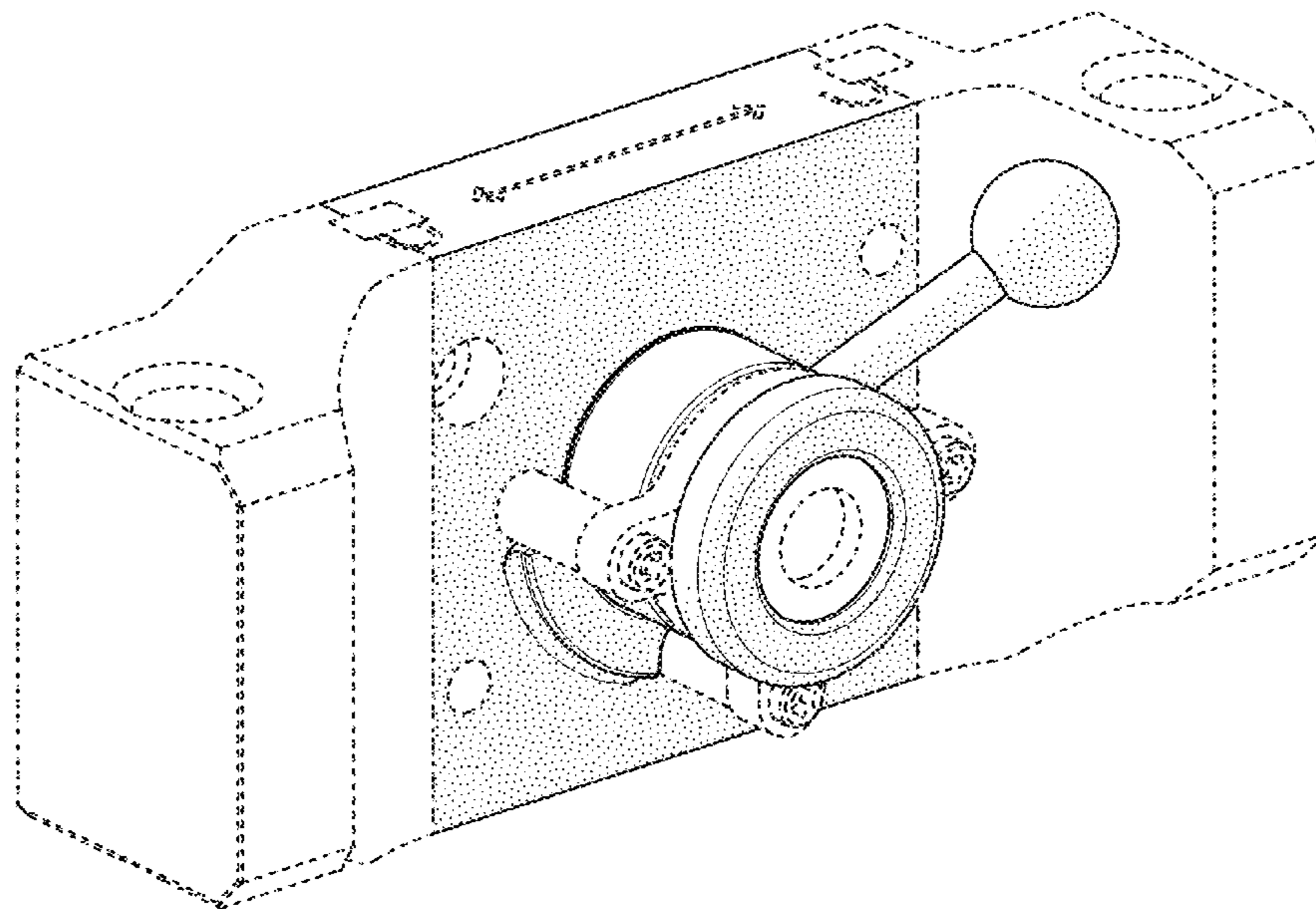
The broken lines in the figures are for the purpose of illustrating environment and form no part of the claimed design. The dash-dot lines in the figures are for the purpose of showing boundaries of the design and form no part of the claimed design.

1 Claim, 4 Drawing Sheets

(56) **References Cited**

U.S. PATENT DOCUMENTS

- 3,677,281 A * 7/1972 Tennis F16K 31/44
137/270
- 3,831,633 A * 8/1974 Comer B62D 11/183
137/636.2
- 3,943,791 A * 3/1976 Casey F16K 31/44
137/636.2



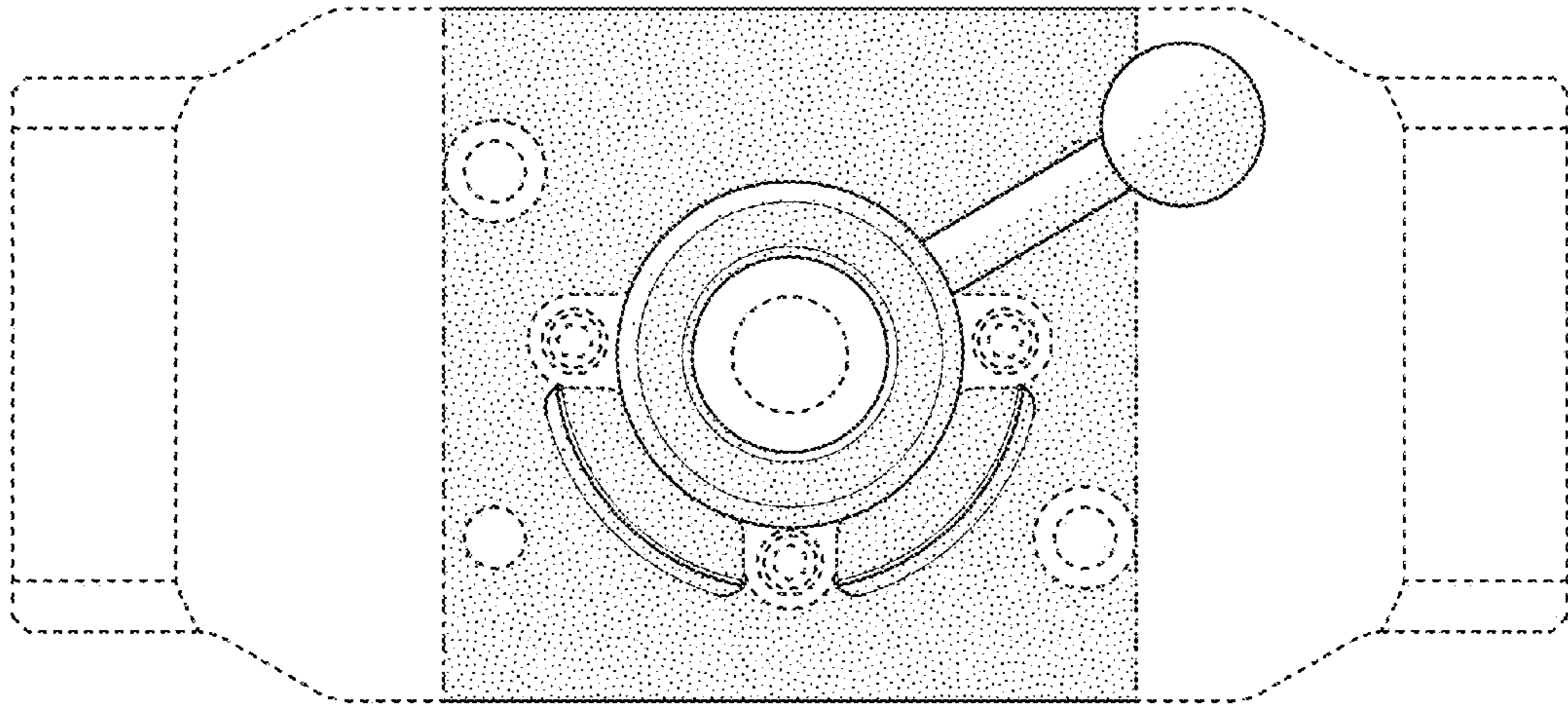


FIG. 1

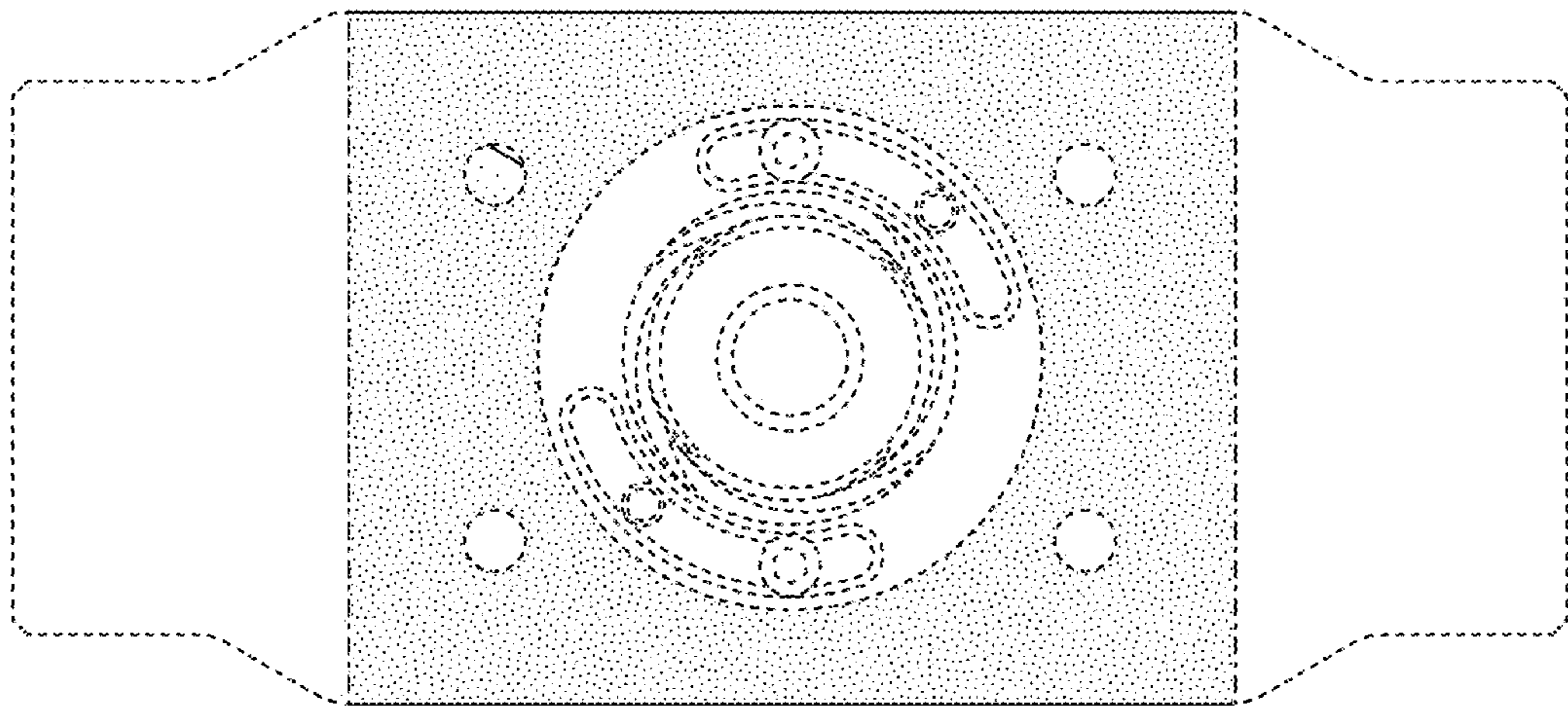


FIG. 2

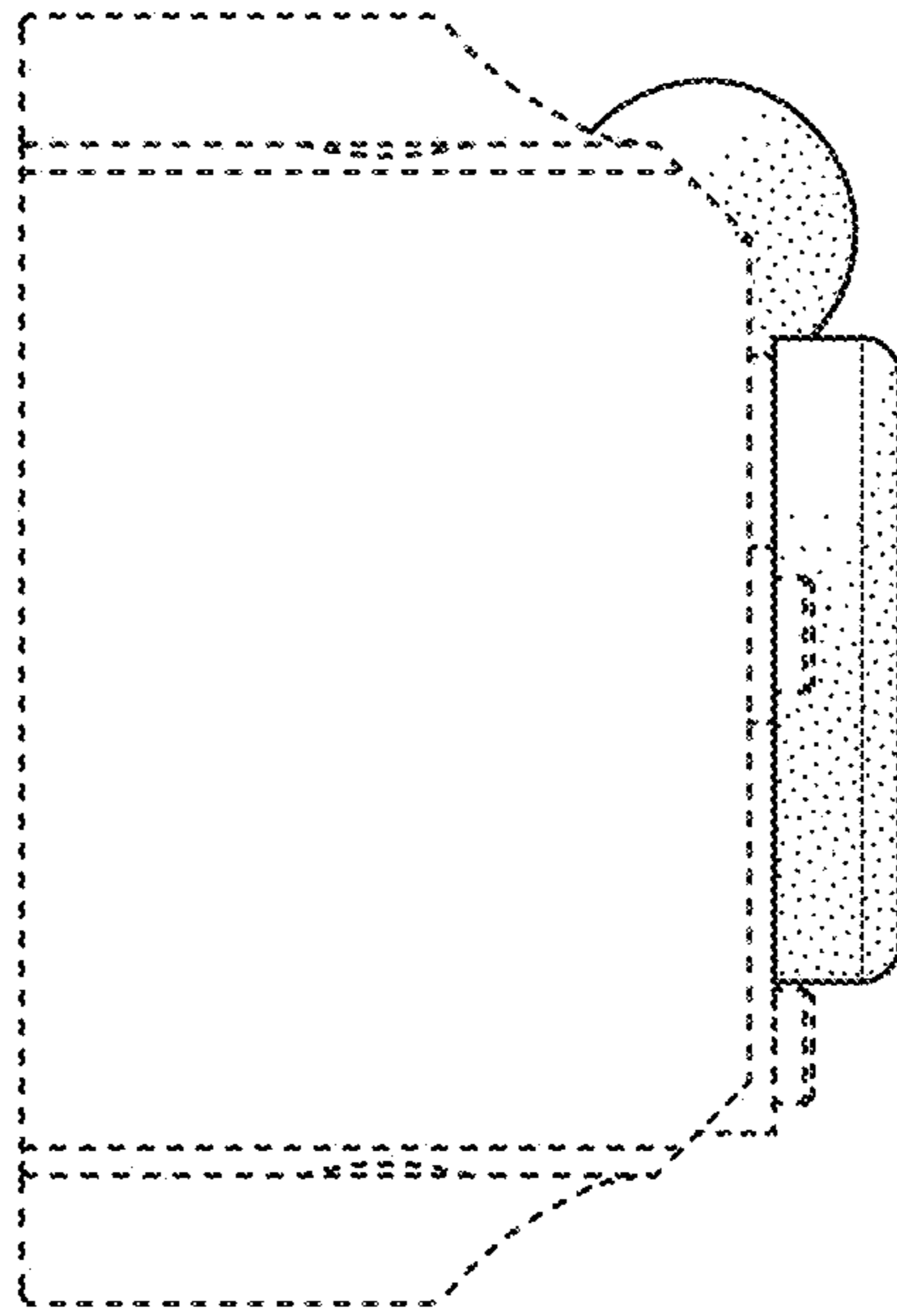


FIG. 3

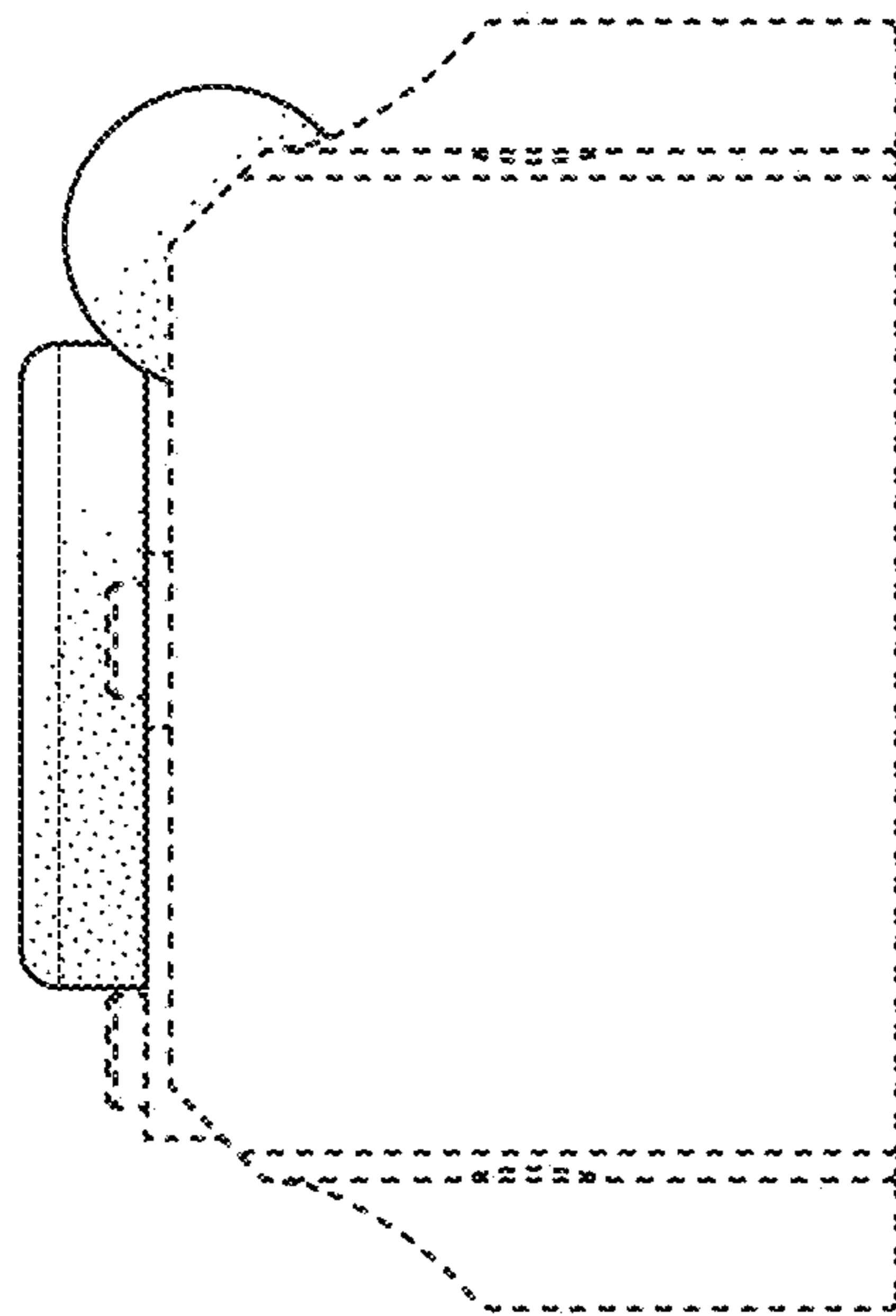


FIG. 4

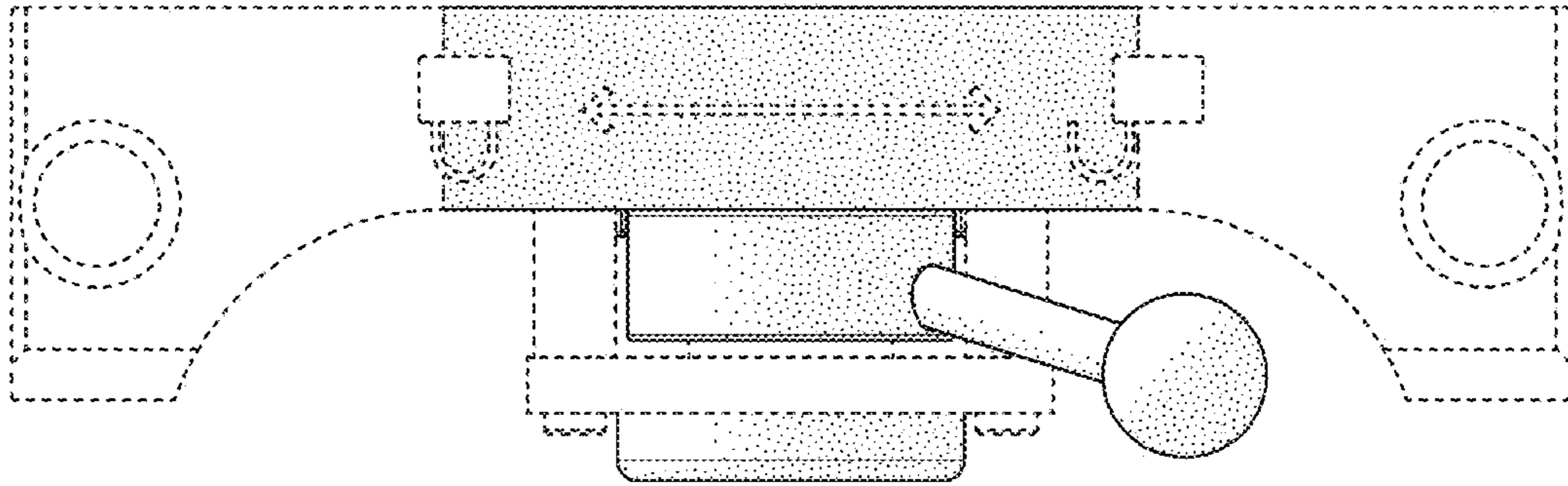


FIG. 5

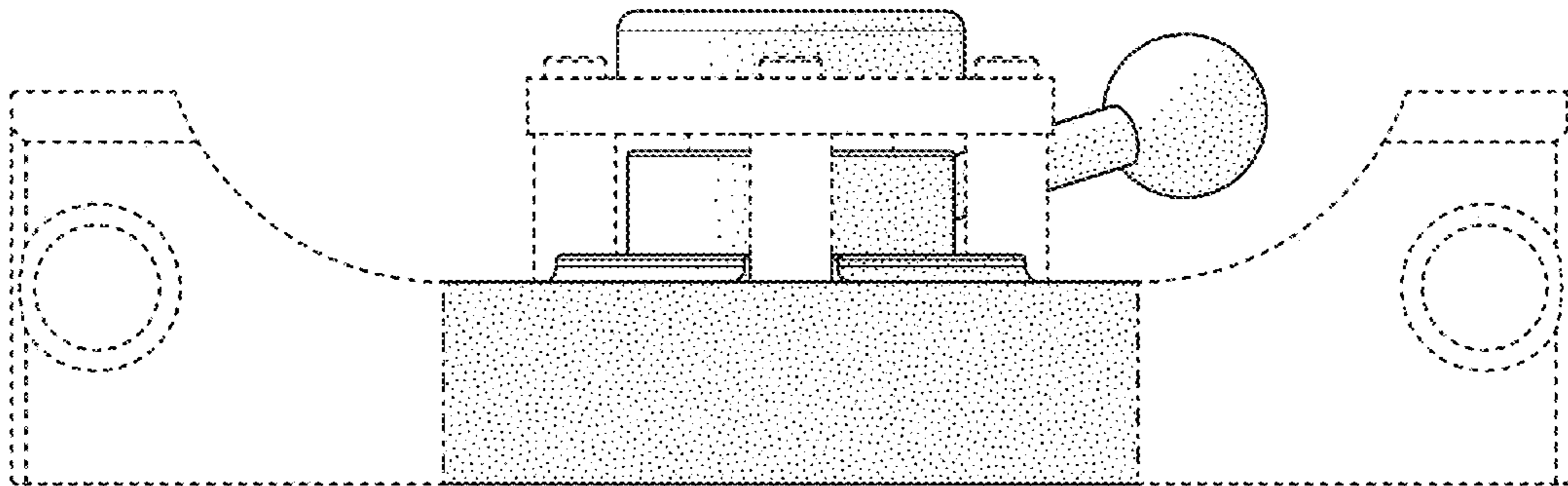


FIG. 6

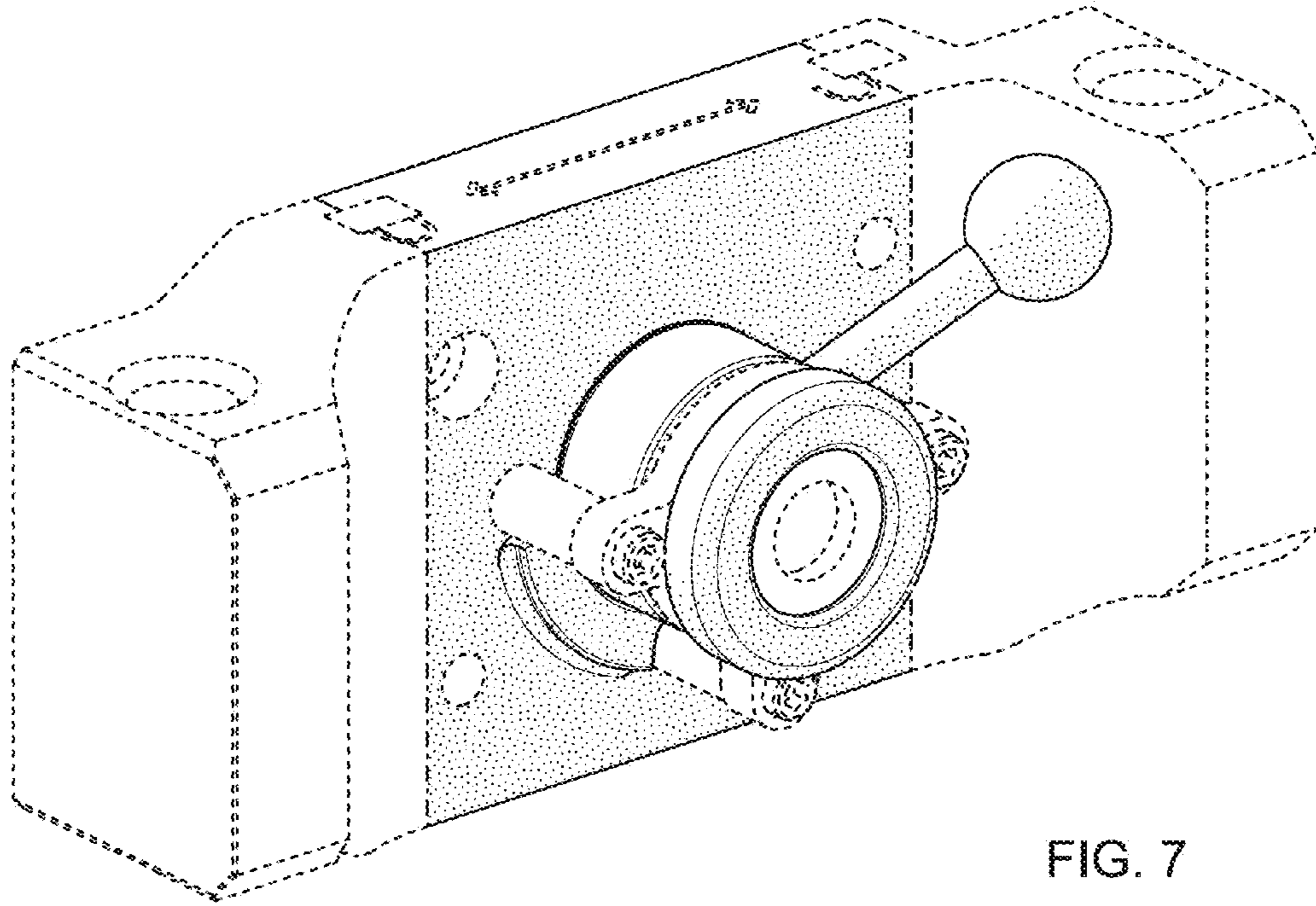


FIG. 7

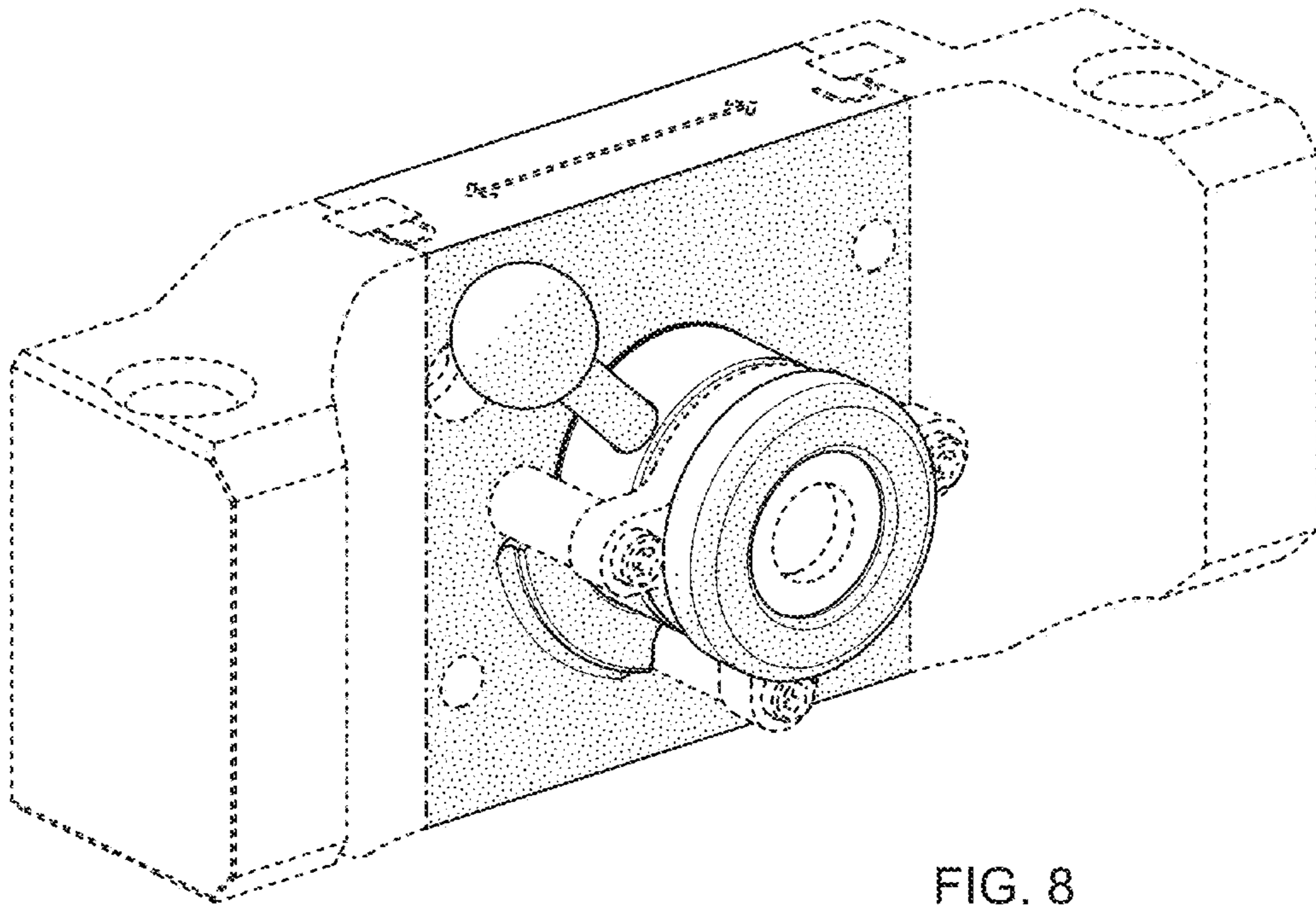


FIG. 8