



US00D774166S

(12) **United States Design Patent**
Flowers et al.

(10) **Patent No.:** **US D774,166 S**

(45) **Date of Patent:** **** Dec. 13, 2016**

(54) **WASH BASIN MIXER HIGH SPOUT**

D757,906 S * 5/2016 Flowers D23/242

(71) Applicant: **Grohe AG**, Hemer (DE)

* cited by examiner

(72) Inventors: **Paul Flowers**, London (GB); **Antoine Besseyre Des Horts**, Meerbusch (DE)

Primary Examiner — Robert Delehanty

(74) *Attorney, Agent, or Firm* — Muncy, Geissler, Olds & Lowe, P.C.

(73) Assignee: **Grohe AG**, Hemer (DE)

(**) Term: **15 Years**

(57) **CLAIM**

The ornamental design for a wash basin mixer high spout, as shown and described.

(21) Appl. No.: **29/538,754**

(22) Filed: **Sep. 8, 2015**

DESCRIPTION

(30) **Foreign Application Priority Data**

Mar. 9, 2015 (EM) 002648758-0002

(51) **LOC (10) Cl.** **23-01**

(52) **U.S. Cl.**
USPC **D23/238**

(58) **Field of Classification Search**
USPC D23/238–243, 249, 255, 257, 250, 252,
D23/254

CPC E03C 1/04; E03C 1/0401; E03C 1/0402;
E03C 1/0404; F16K 31/602; F16K
31/605; F16K 31/607

See application file for complete search history.

FIG. 1 is a front perspective view of a wash basin mixer high spout according to the present invention.

FIG. 2 is a left side view of the wash basin mixer high spout of FIG. 1.

FIG. 3 is a right side view of the wash basin mixer high spout of FIG. 1.

FIG. 4 is a top view of the wash basin mixer high spout of FIG. 1.

FIG. 5 is a bottom view of the wash basin mixer high spout of FIG. 1.

FIG. 6 is a front view of the wash basin mixer high spout of FIG. 1; and,

FIG. 7 is a rear view of the wash basin mixer high spout of FIG. 1.

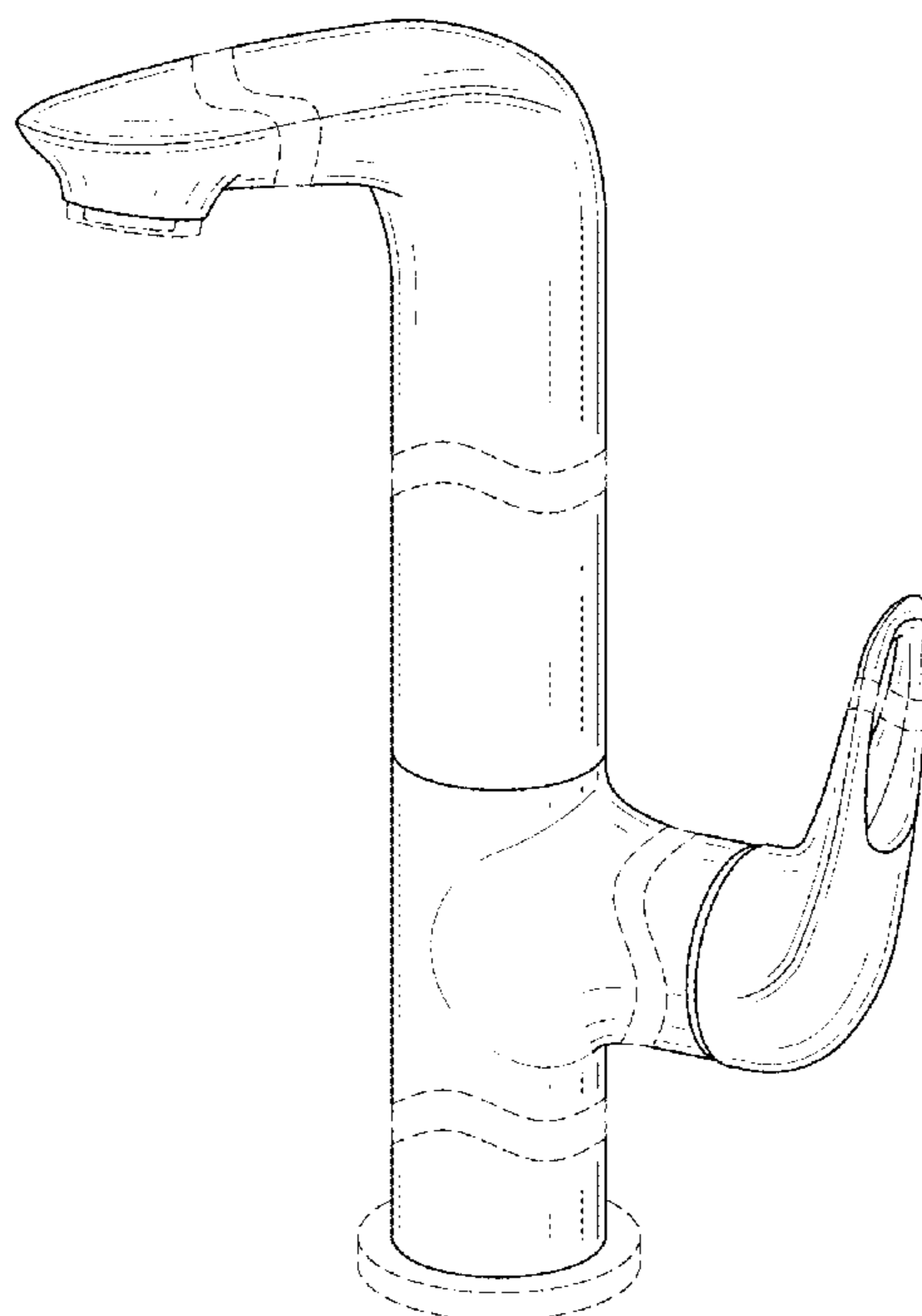
The dashed lines illustrate environment that does not form a part of the present invention, and no claim is made to the material illustrated with dashed lines.

(56) **References Cited**

U.S. PATENT DOCUMENTS

D705,399 S * 5/2014 Flowers D23/238

1 Claim, 7 Drawing Sheets



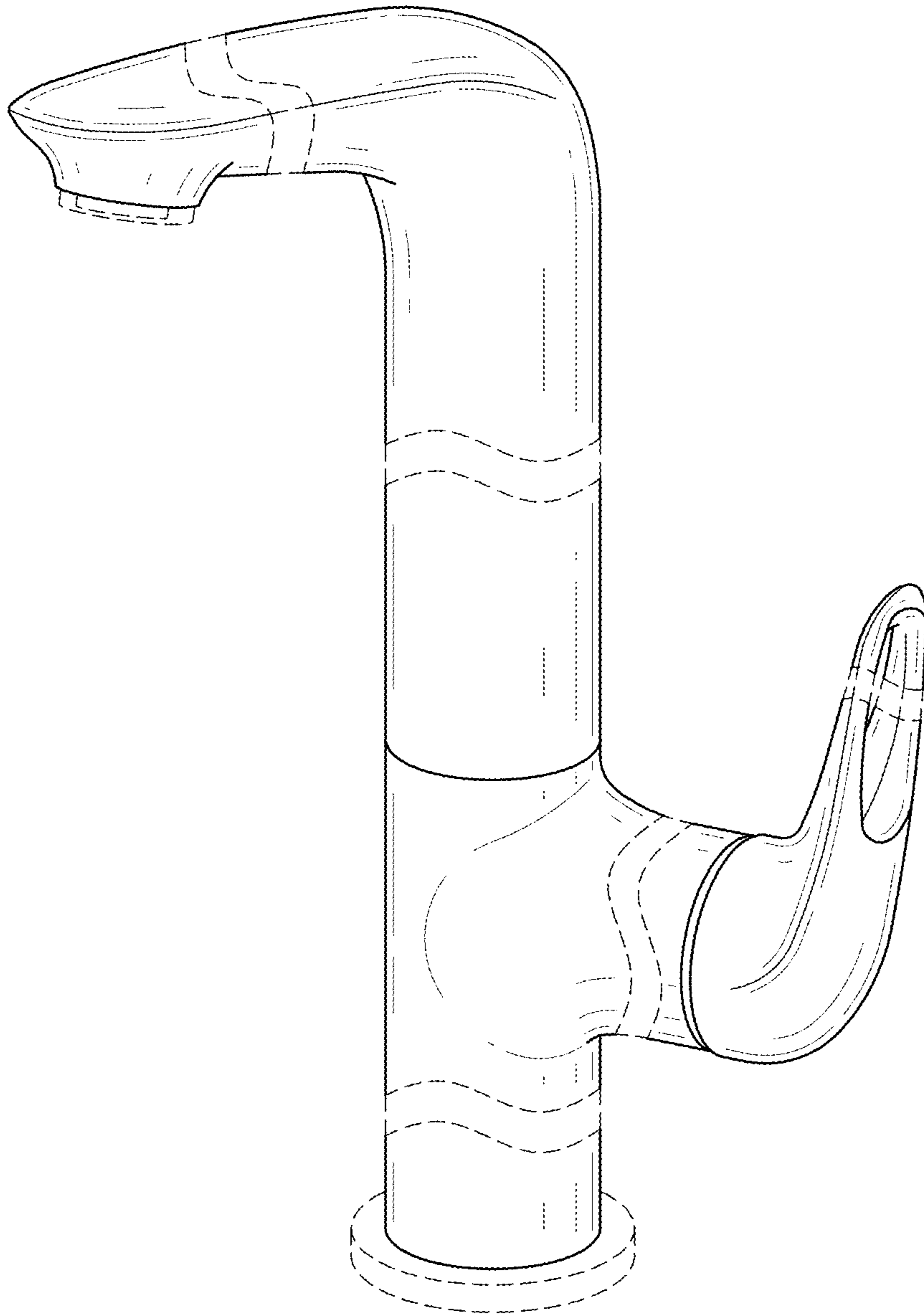


FIG. 1

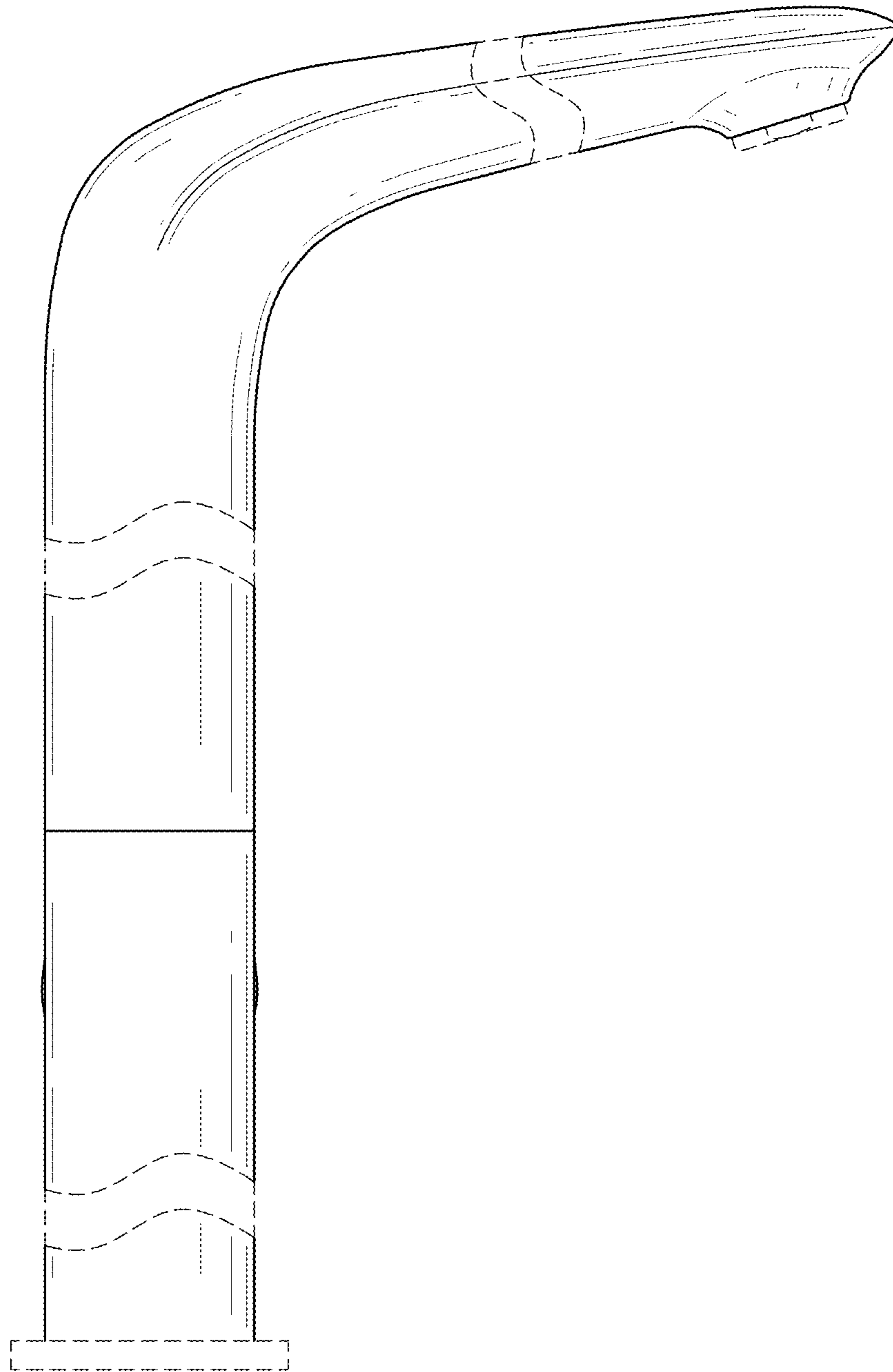


FIG.2

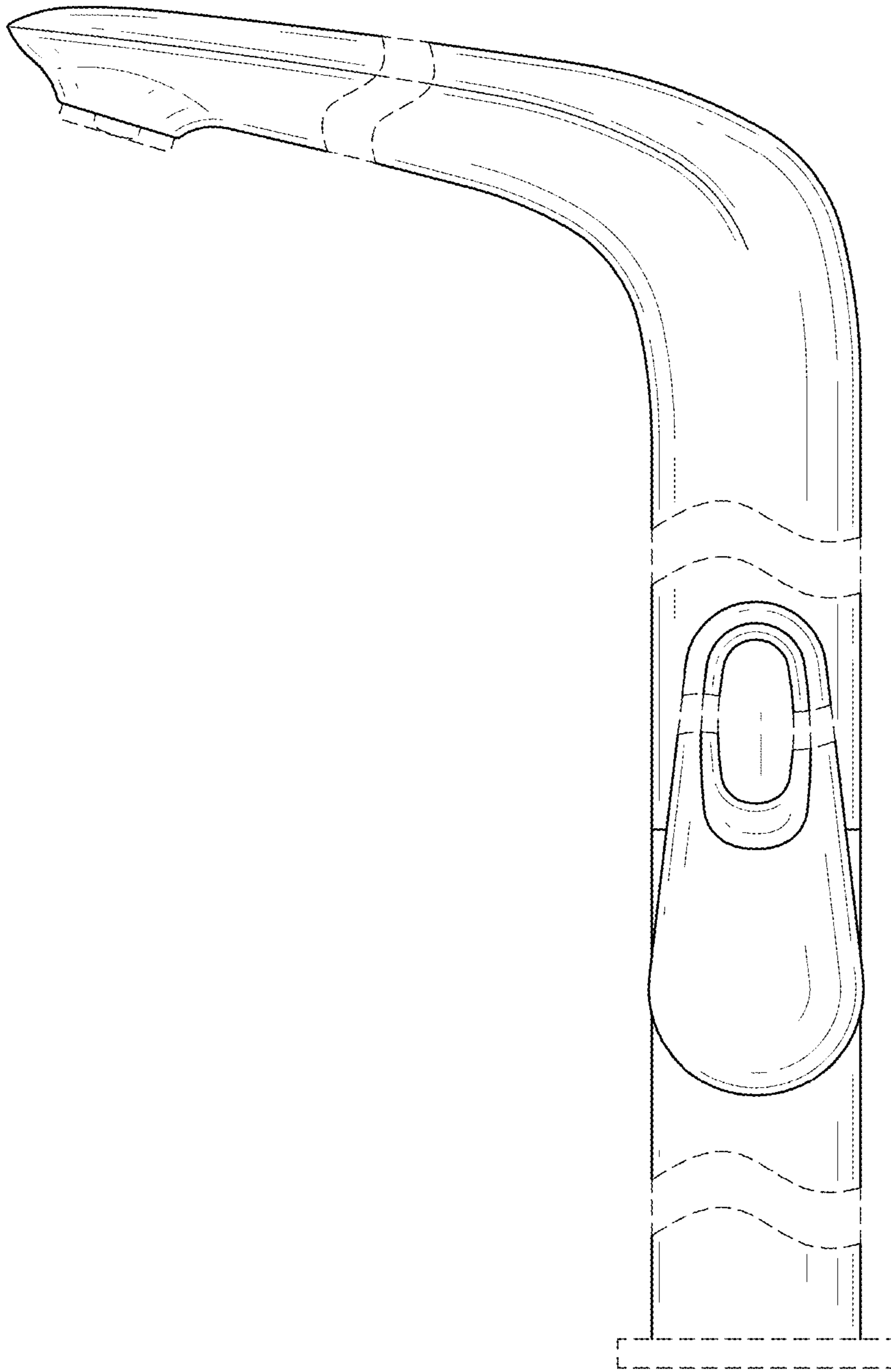


FIG.3

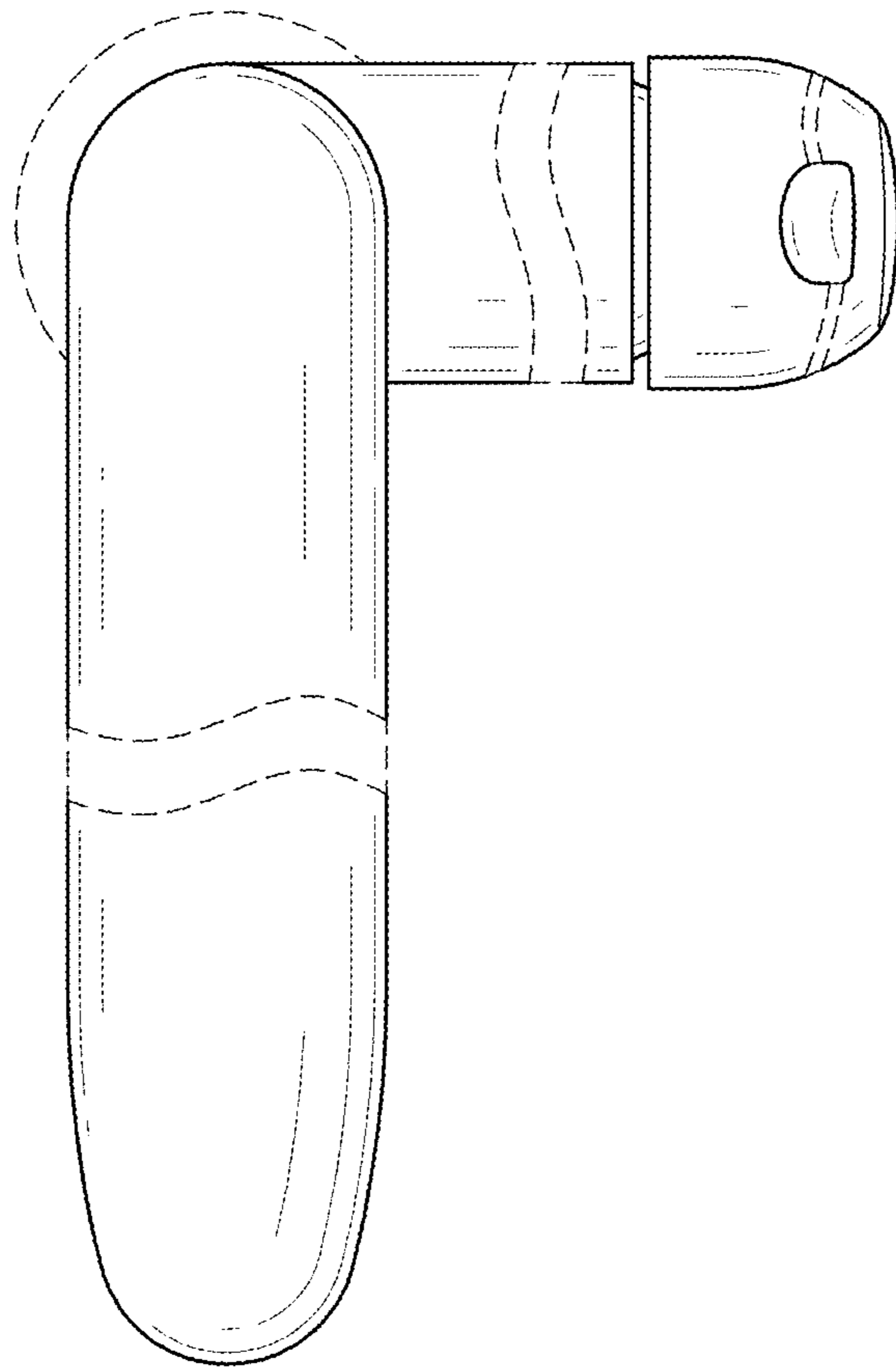


FIG.4

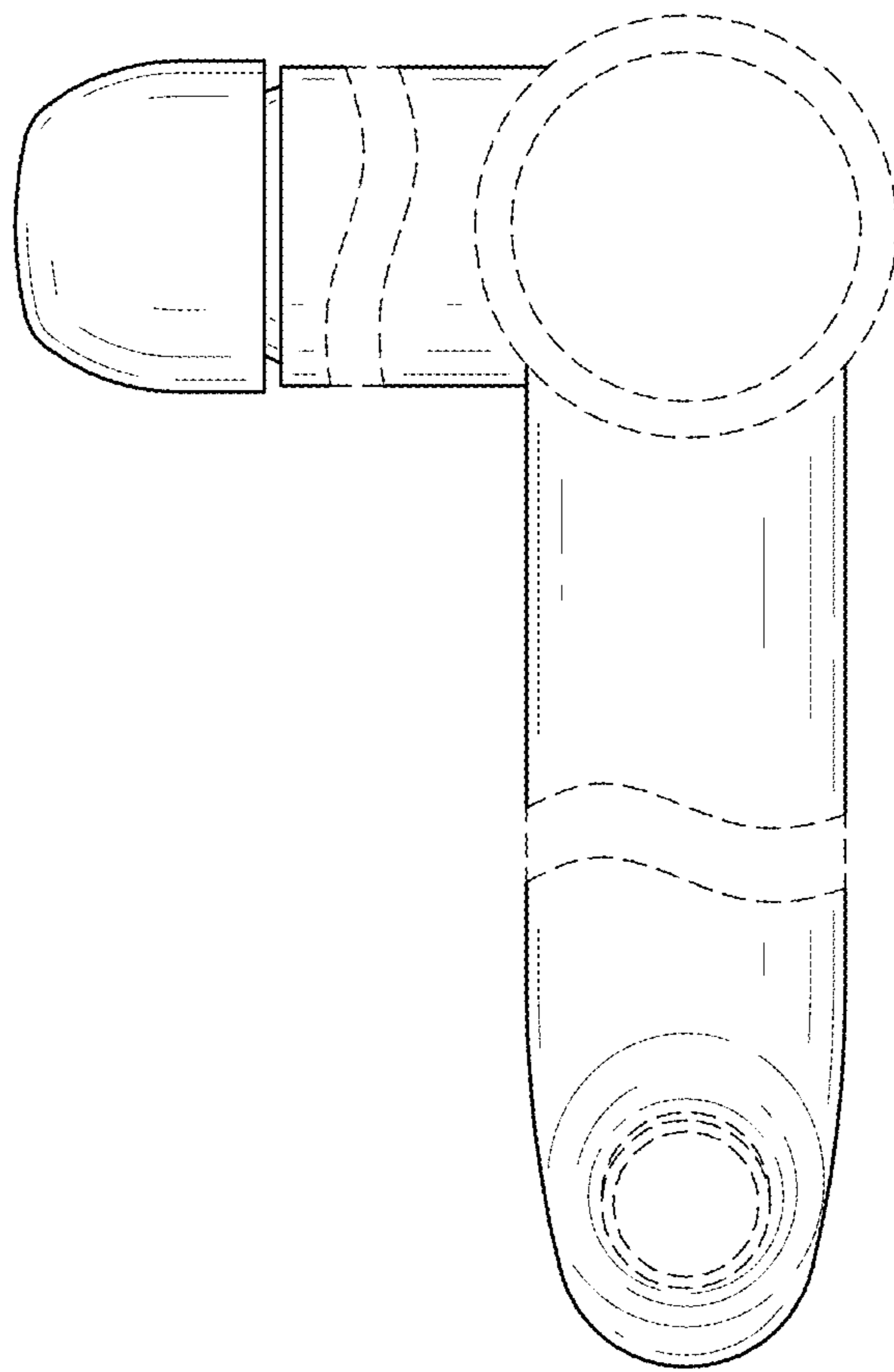


FIG.5

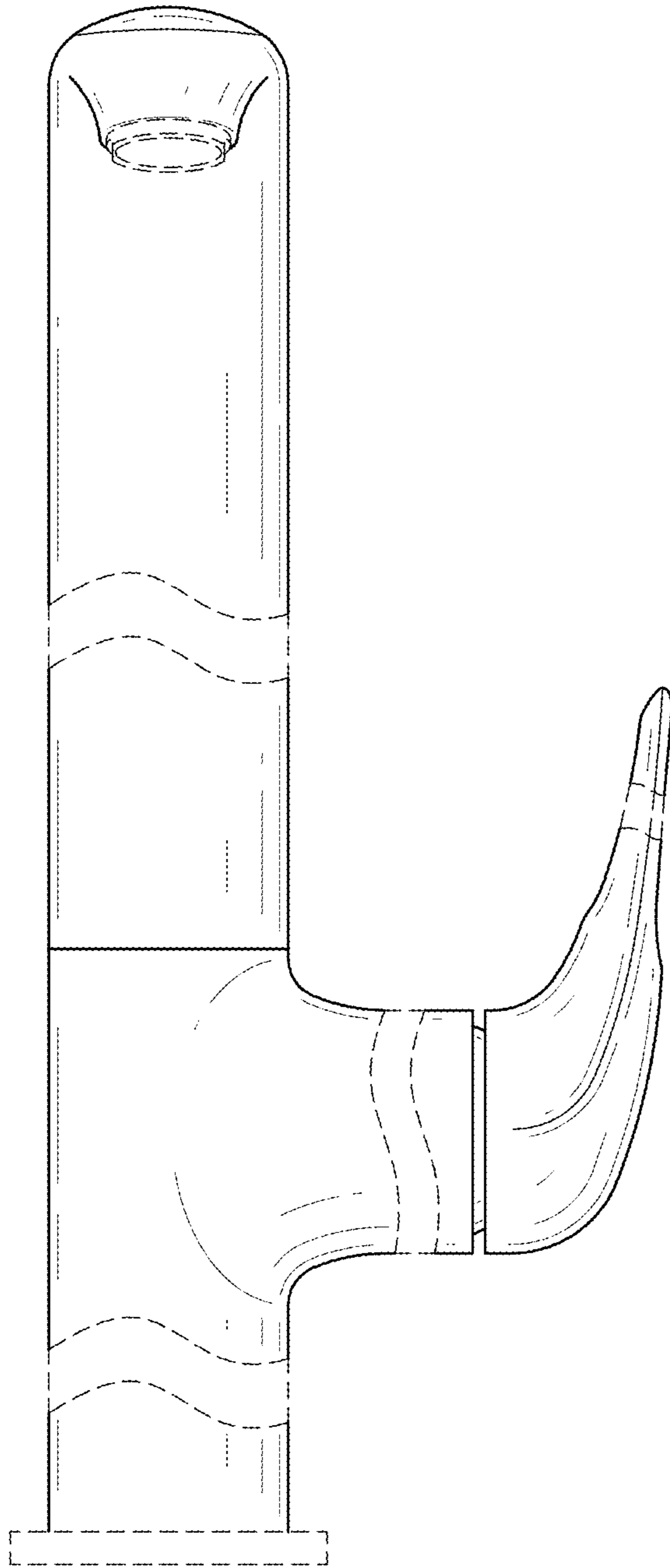


FIG.6

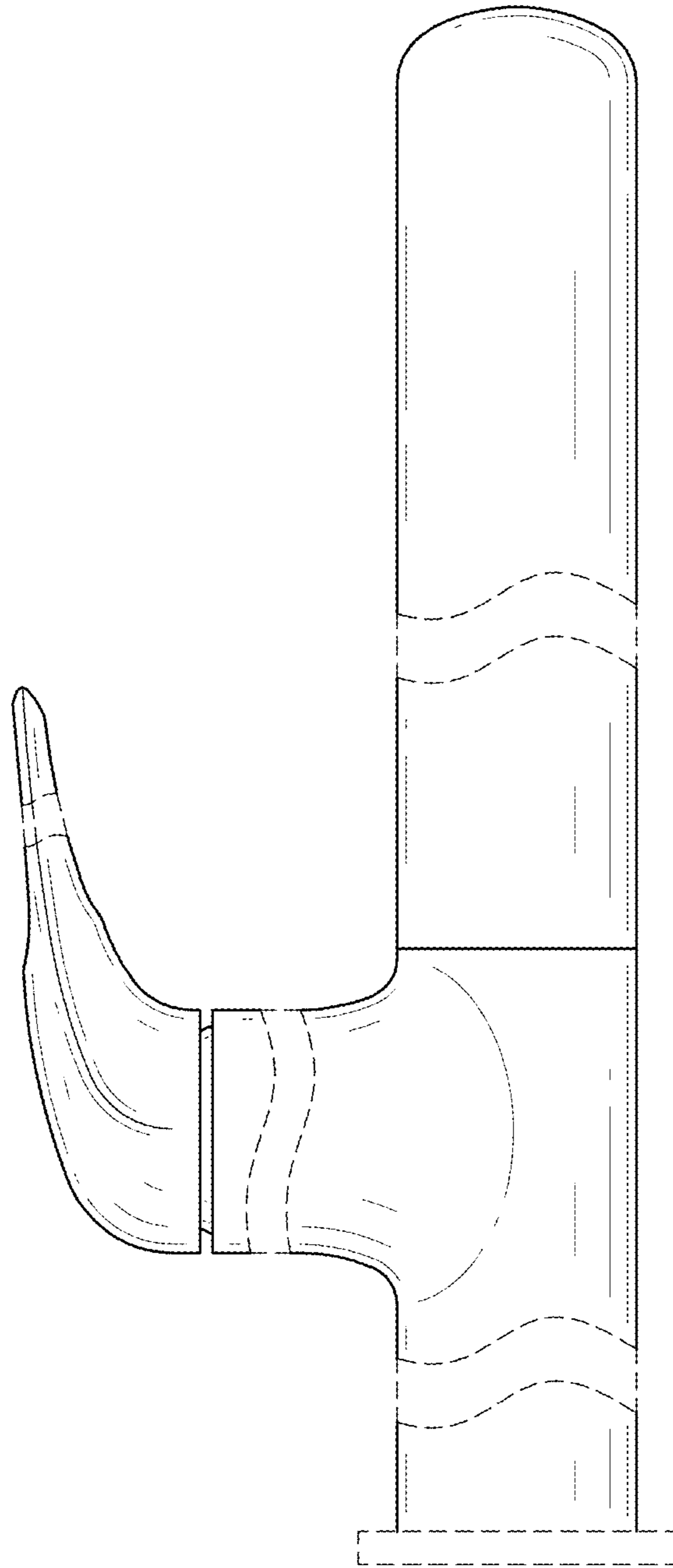


FIG.7