



US00D774164S

(12) **United States Design Patent**
Chen

(10) **Patent No.:** **US D774,164 S**

(45) **Date of Patent:** **** Dec. 13, 2016**

(54) **WATER SPRAYER**

D404,798 S * 1/1999 Goodin D23/226
D426,285 S * 6/2000 Heren D23/226

(71) Applicant: **Chin-Yuan Chen**, Changhua (TW)

* cited by examiner

(72) Inventor: **Chin-Yuan Chen**, Changhua (TW)

Primary Examiner — Robin V Webster

(73) Assignee: **Shin Tai Spurt Water of the Garden Tools Co. Ltd.**, Changhua (TW)

(74) *Attorney, Agent, or Firm* — Che-Yang Chen; Law Offices of Scott Warmuth

(**) Term: **15 Years**

(57) **CLAIM**

(21) Appl. No.: **29/547,044**

The ornamental design for a water sprayer, as shown and described.

(22) Filed: **Nov. 30, 2015**

(51) **LOC (10) Cl.** **23-01**

(52) **U.S. Cl.**
USPC **D23/226**

DESCRIPTION

(58) **Field of Classification Search**
USPC D23/213, 223, 226; 239/526
CPC B05B 1/18; B05B 1/00; B05B 9/01
See application file for complete search history.

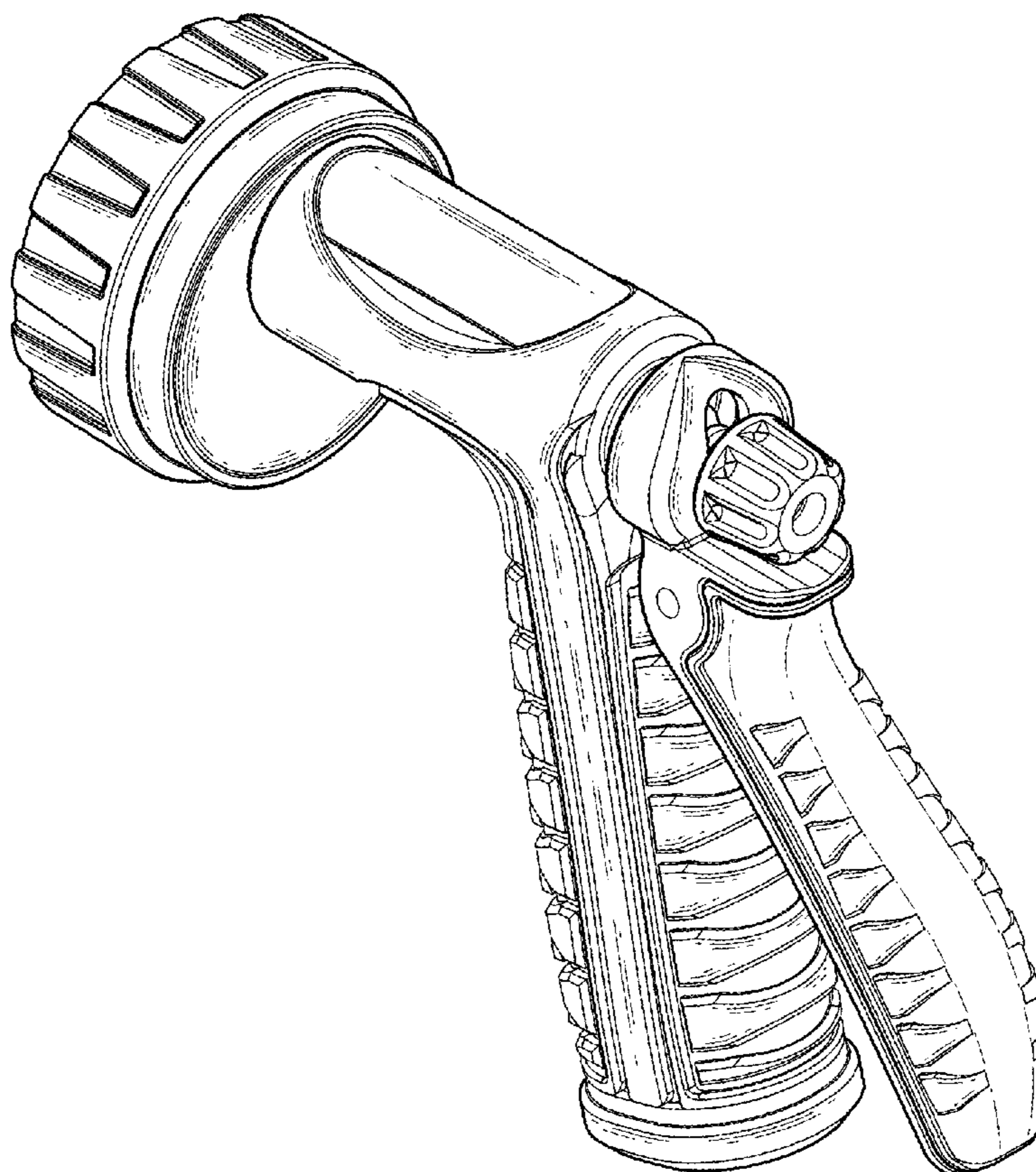
FIG. 1 is a perspective view of a water sprayer showing my new design;
FIG. 2 is a front elevational view thereof;
FIG. 3 is a rear elevational view thereof;
FIG. 4 is a left side elevational view thereof;
FIG. 5 is a right side elevational view thereof;
FIG. 6 is a top plan view thereof; and,
FIG. 7 is a bottom plan view thereof.

(56) **References Cited**

U.S. PATENT DOCUMENTS

D391,627 S * 3/1998 Goodin D23/226
D392,719 S * 3/1998 Guo D23/223

1 Claim, 4 Drawing Sheets



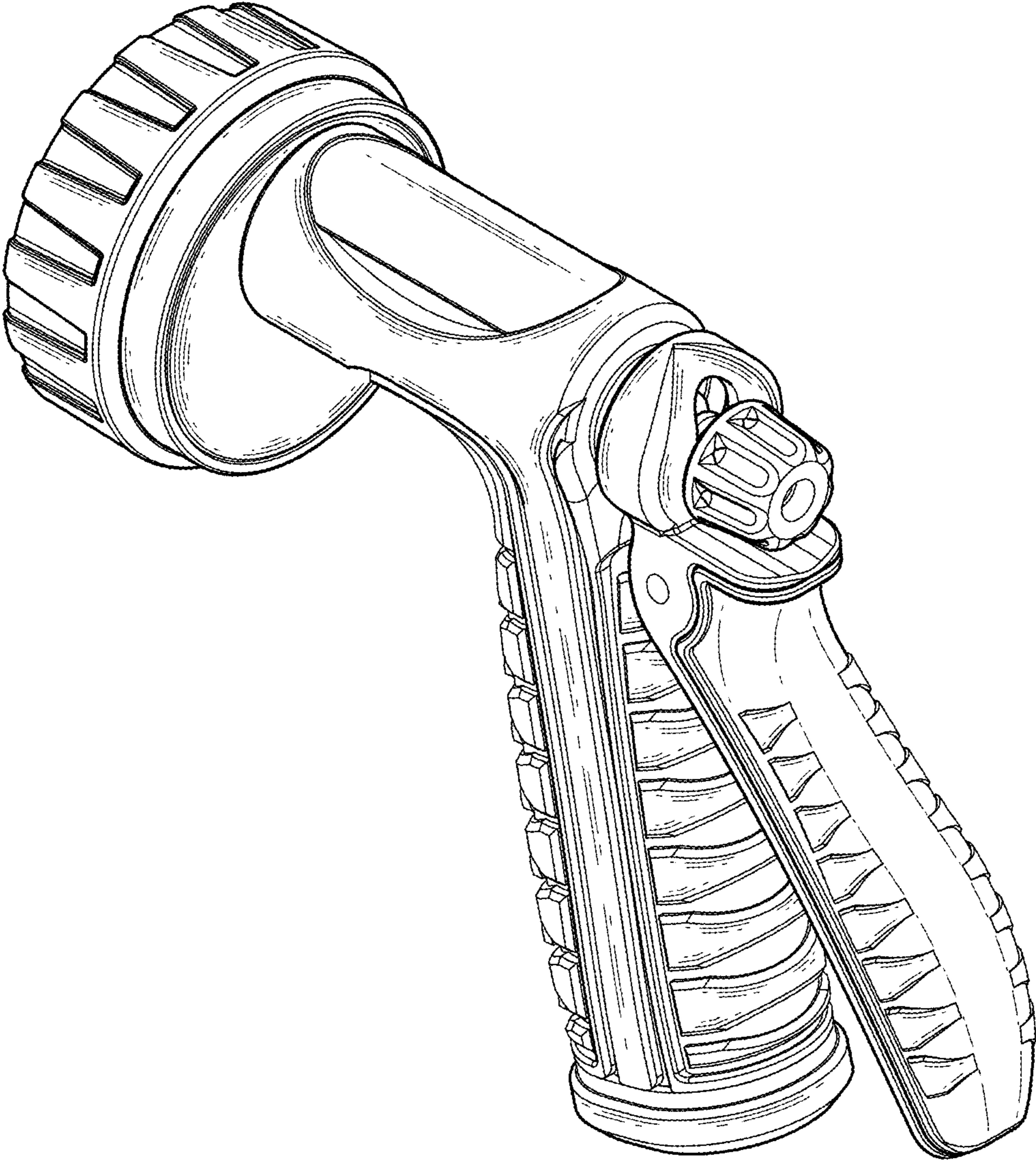


FIG. 1

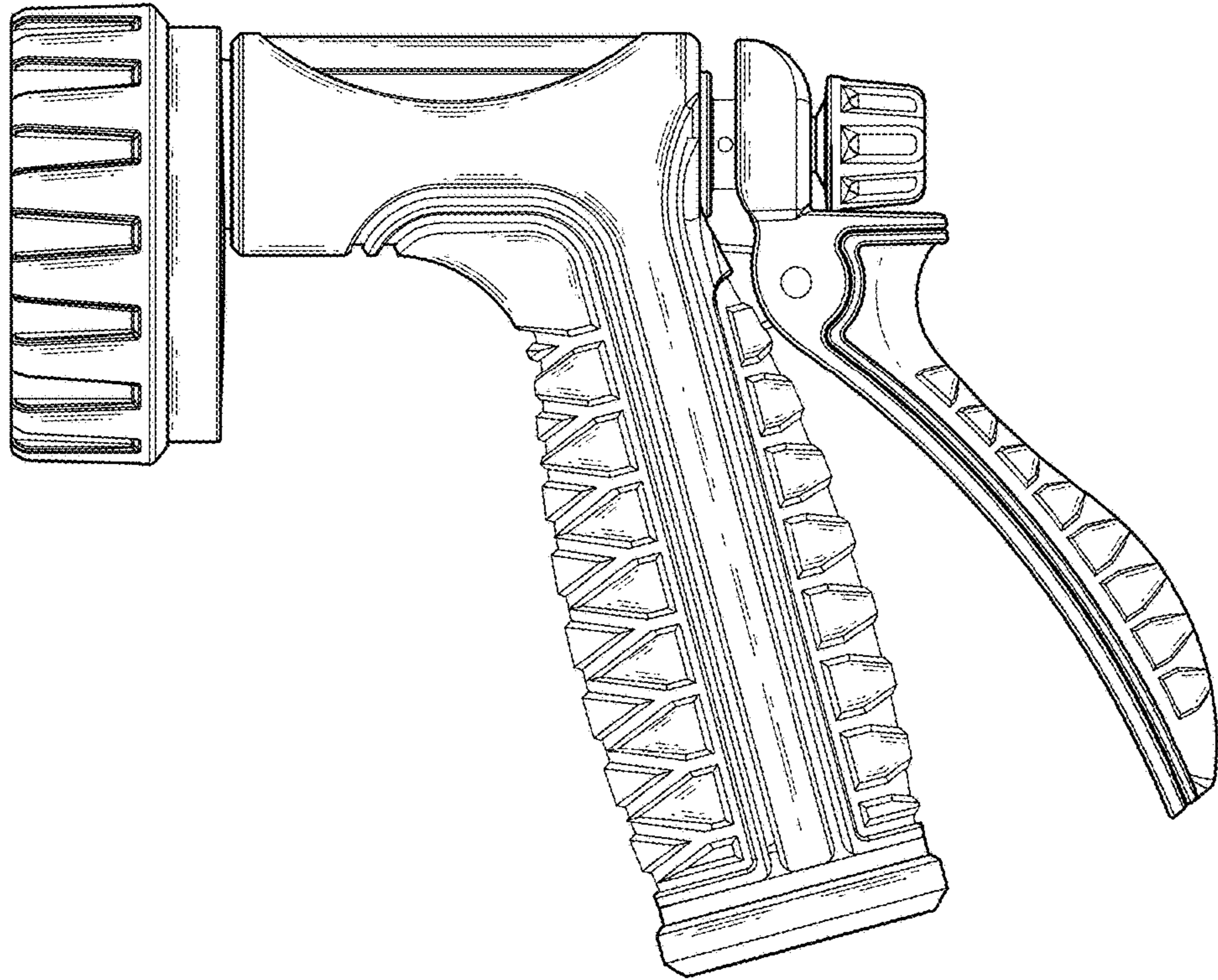


FIG. 2

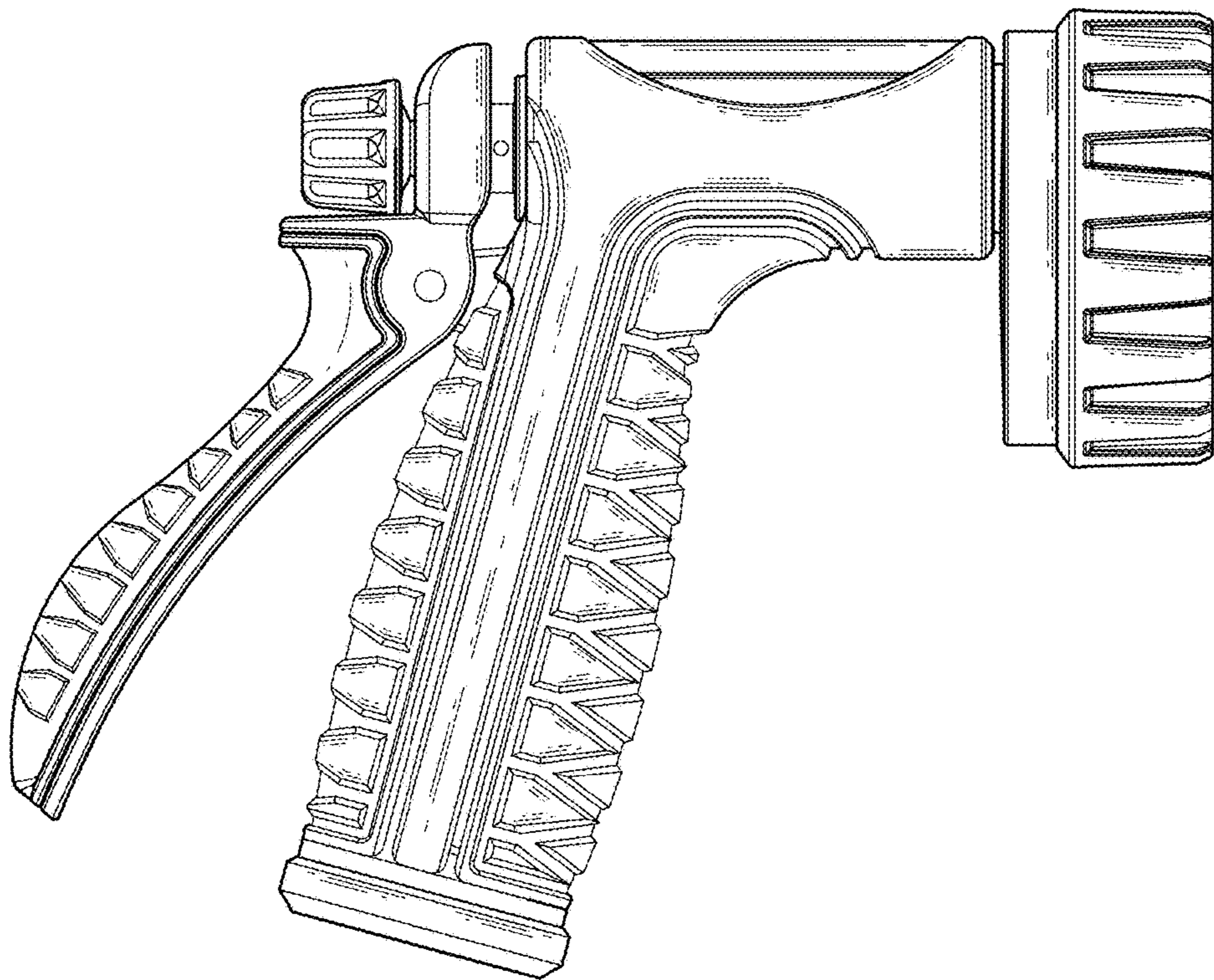


FIG. 3

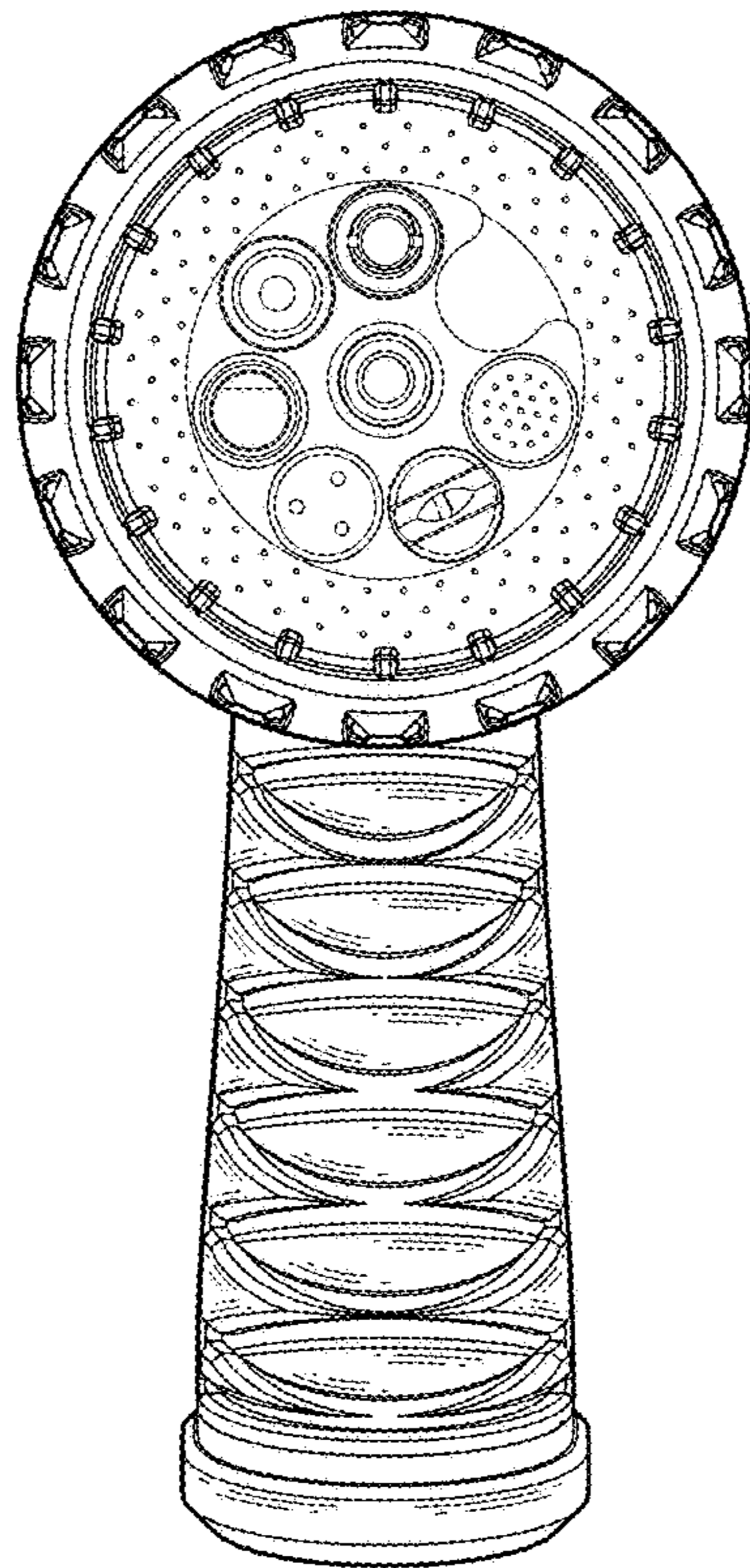


FIG. 4

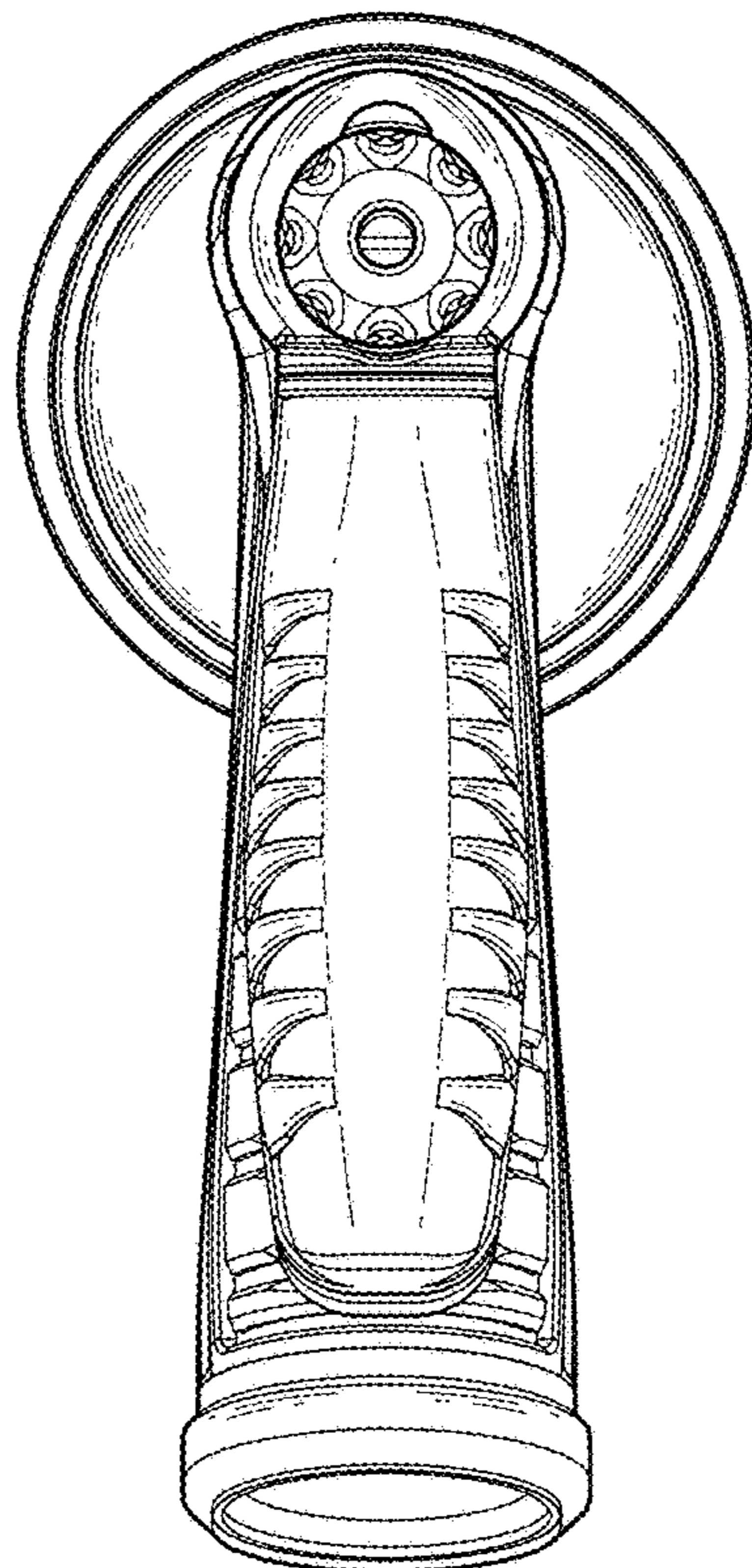


FIG. 5

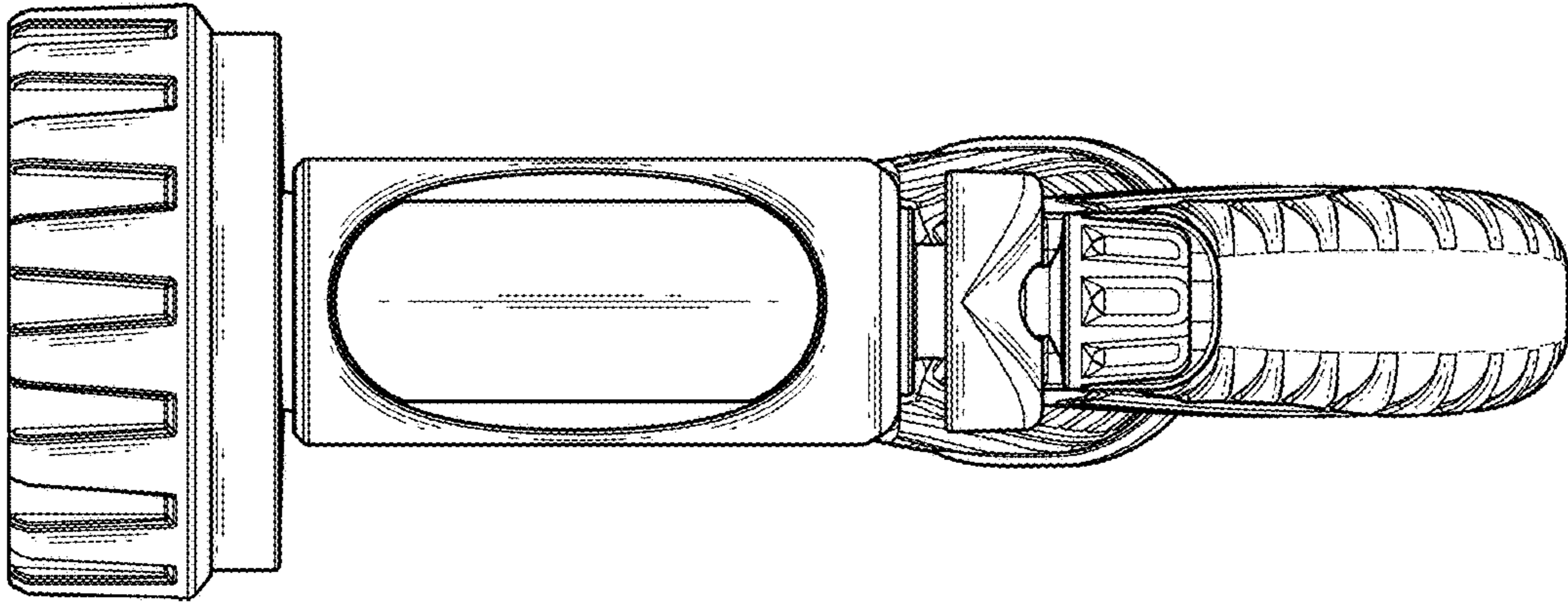


FIG. 6

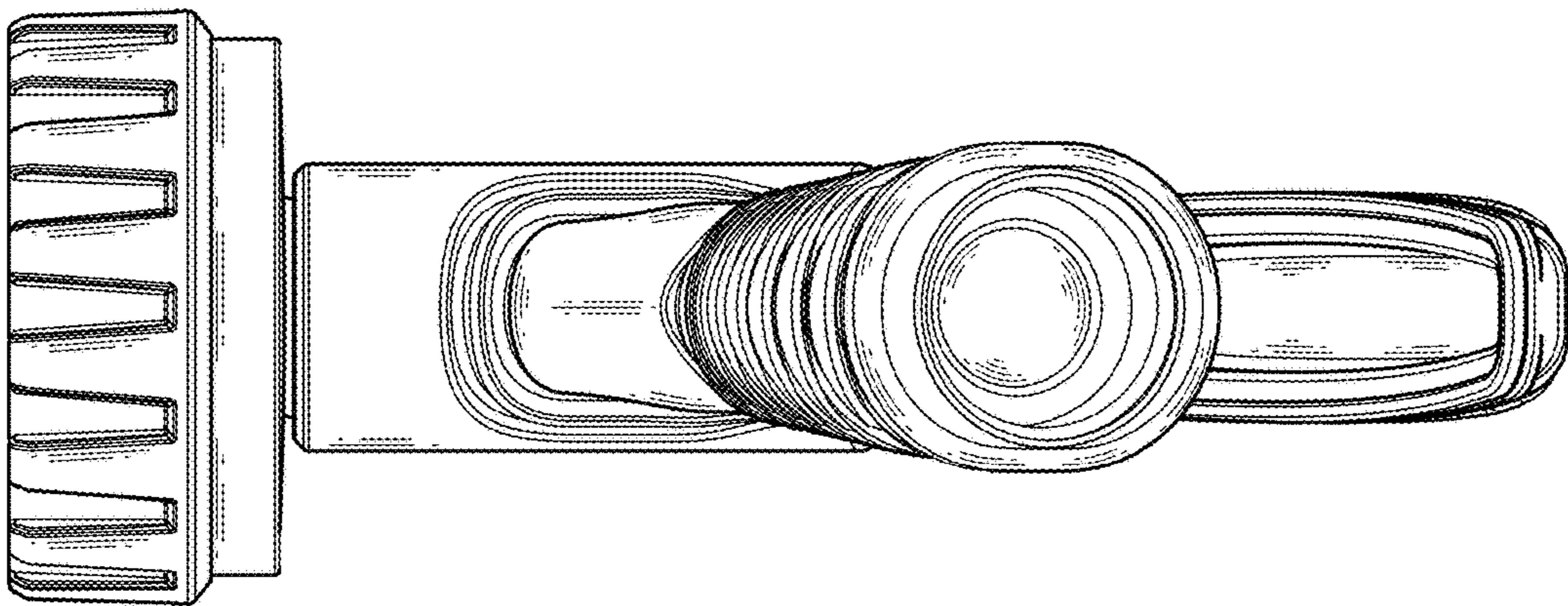


FIG. 7