



US00D774160S

(12) **United States Design Patent** (10) **Patent No.:** **US D774,160 S**
Nicholson et al. (45) **Date of Patent:** **** Dec. 13, 2016**

(54) **FLY SWATTER HANDLE BUG GRAPPLE**
(71) Applicants: **Sydney Nicholson**, Sallisaw, OK (US);
Rick Nicholson, Sallisaw, OK (US);
Todd Richmond, Muldrow, OK (US)
(72) Inventors: **Sydney Nicholson**, Sallisaw, OK (US);
Rick Nicholson, Sallisaw, OK (US);
Todd Richmond, Muldrow, OK (US)

Primary Examiner — Catheri Oliver-Garcia
(74) *Attorney, Agent, or Firm* — Keisling & Pieper PLC;
David B. Pieper

(**) Term: **14 Years**
(21) Appl. No.: **29/499,155**

(57) **CLAIM**

The ornamental design for a fly swatter handle bug grapple, as shown and described.

(22) Filed: **Aug. 12, 2014**
(51) **LOC (10) Cl.** **22-06**
(52) **U.S. Cl.**
USPC **D22/124**
(58) **Field of Classification Search**
USPC D22/124; 43/136–137; D10/6; D11/57
CPC A01M 3/02
See application file for complete search history.

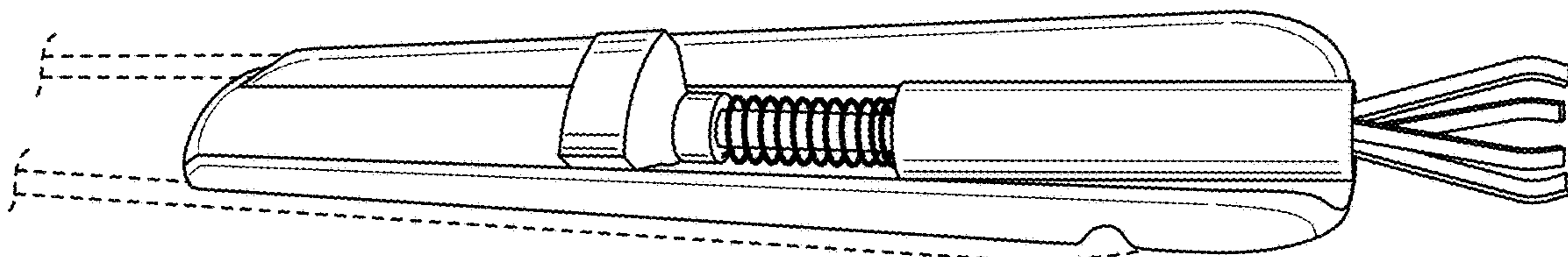
DESCRIPTION

FIG. 1 is a bottom perspective view of a fly swatter handle bug grapple showing our new design;
FIG. 2 is a top perspective view thereof with the grapple extended;
FIG. 3 is a front view thereof with the grapple retracted;
FIG. 4 is a top view thereof;
FIG. 5 is a right side view thereof;
FIG. 6 is a back view thereof;
FIG. 7 is a bottom view thereof; and
FIG. 8 is a left side view thereof;
FIG. 9 is a front view thereof with the grapple extended;
FIG. 10 is a top view thereof;
FIG. 11 is a rear view thereof;
FIG. 12 is a right side view thereof;
FIG. 13 is a bottom view thereof; and,
FIG. 14 is a left side view thereof.
Portions of the drawings shown in broken lines depict environmental structure and do not form part of the claimed design.

(56) **References Cited**
U.S. PATENT DOCUMENTS
D101,647 S * 10/1936 Murray D11/57
2,077,132 A * 4/1937 Shafter A01M 3/02
43/137
2,207,963 A * 7/1940 White A01M 3/02
43/137
2,712,708 A * 7/1955 Hale A01M 3/02
43/137
2,963,816 A * 12/1960 De Miller A01M 3/02
43/137
D445,341 S * 7/2001 Dear D10/6

* cited by examiner

1 Claim, 4 Drawing Sheets



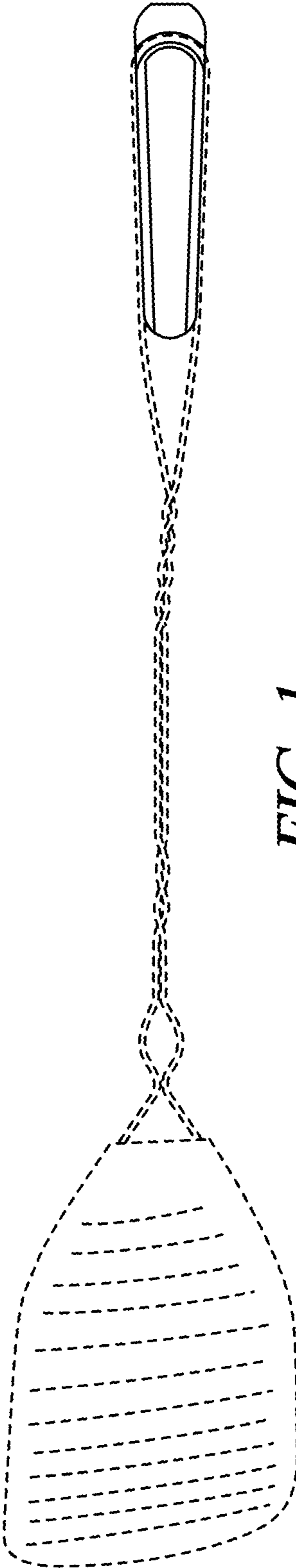


FIG. 1

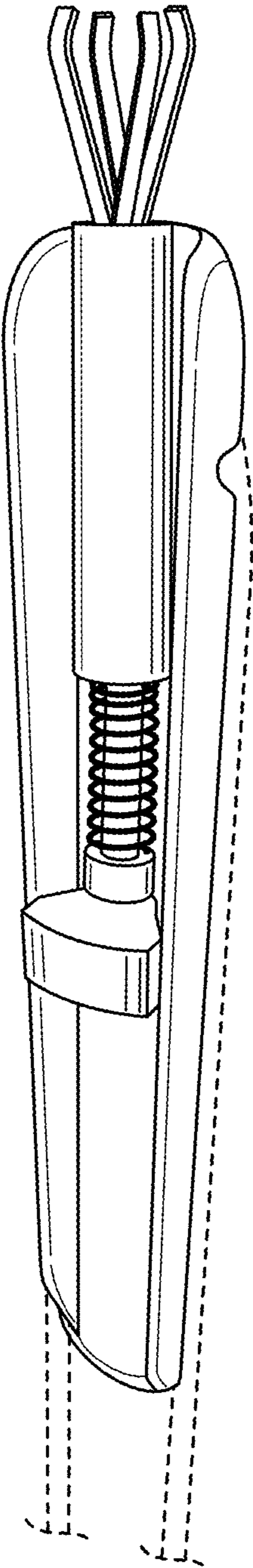


FIG. 2

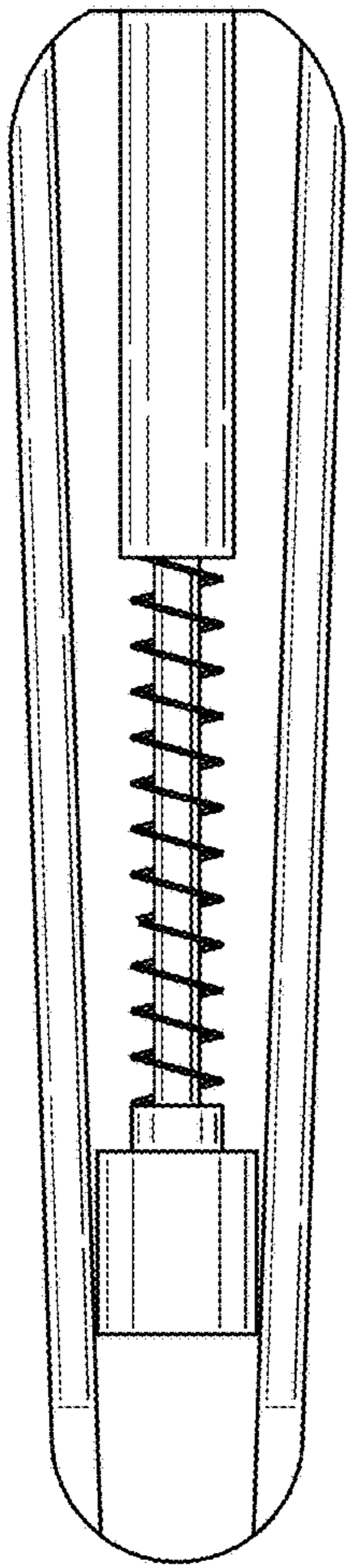


FIG. 4

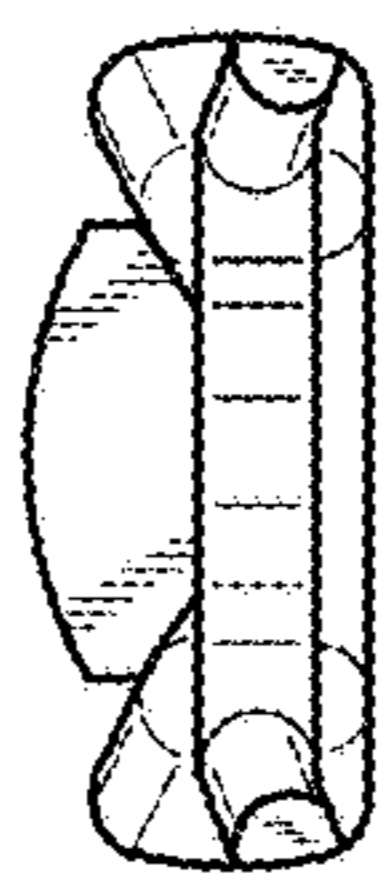


FIG. 3

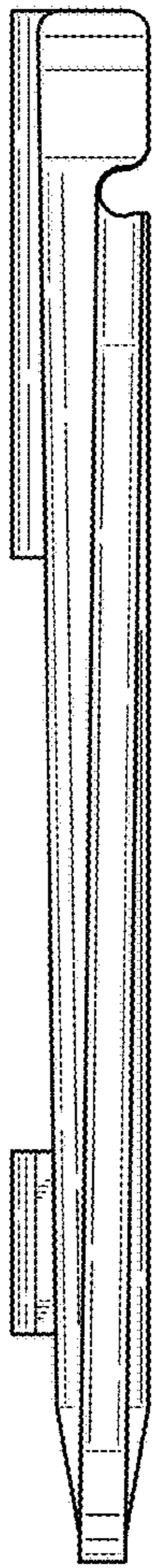


FIG. 5

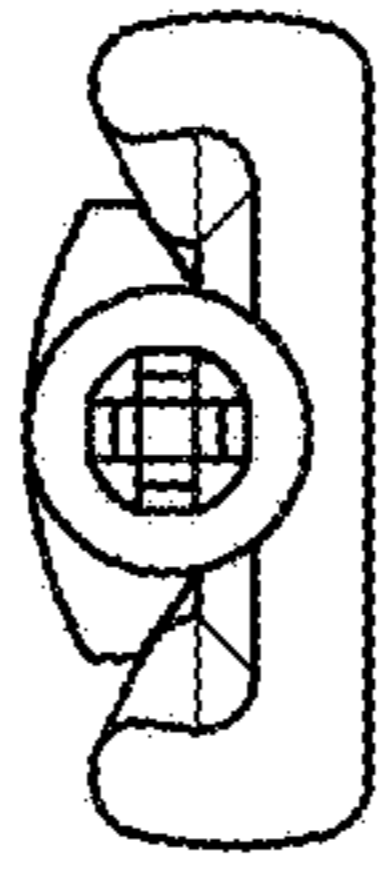


FIG. 6



FIG. 7

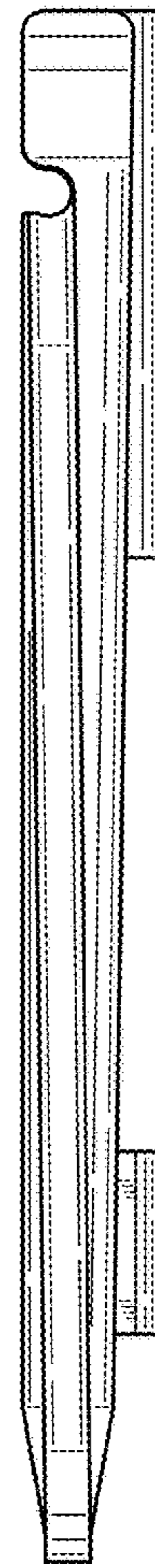


FIG. 8

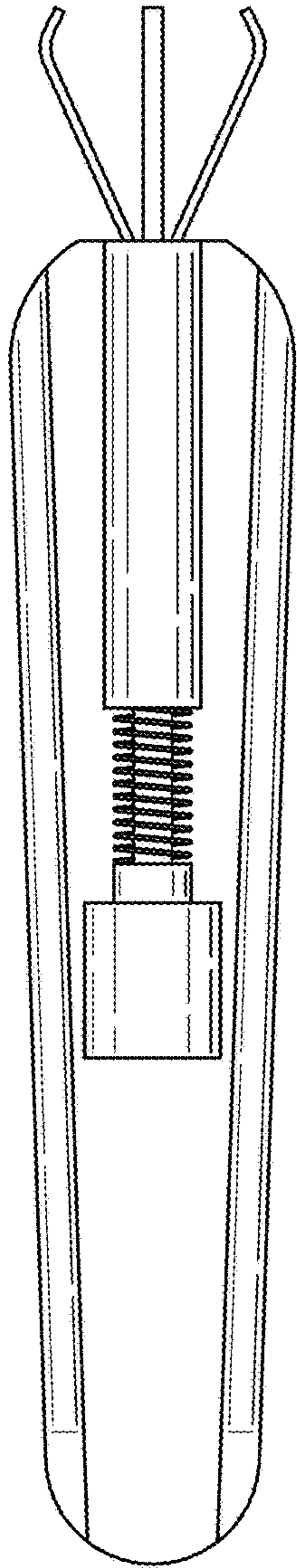


FIG. 10

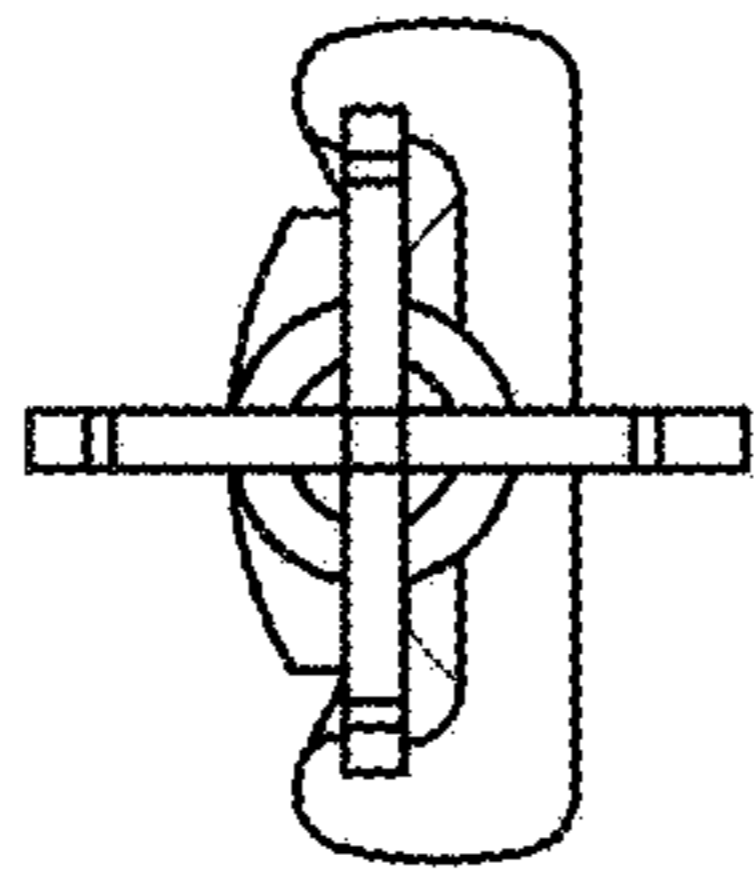


FIG. 11

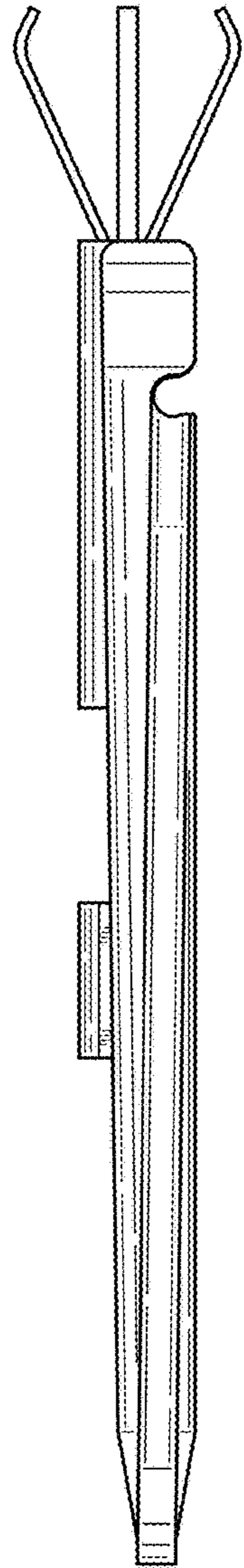


FIG. 12

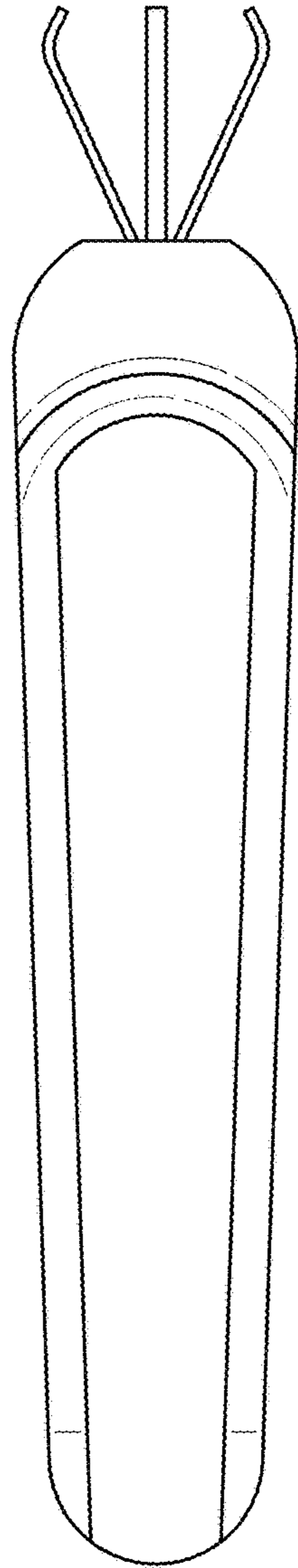


FIG. 13

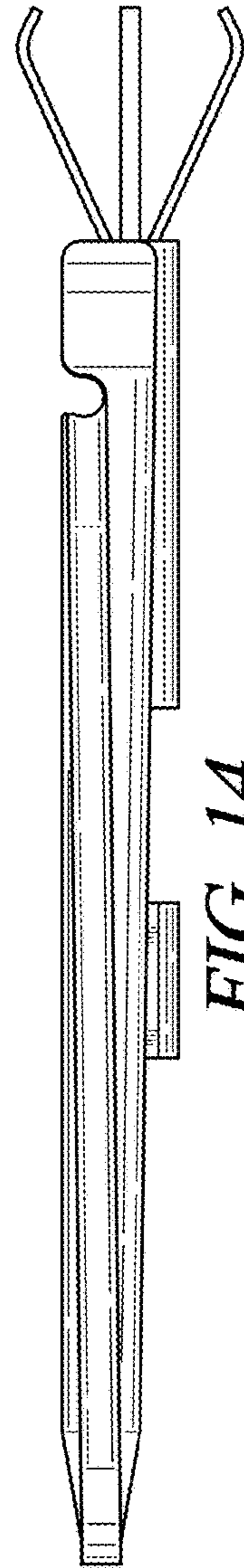


FIG. 14

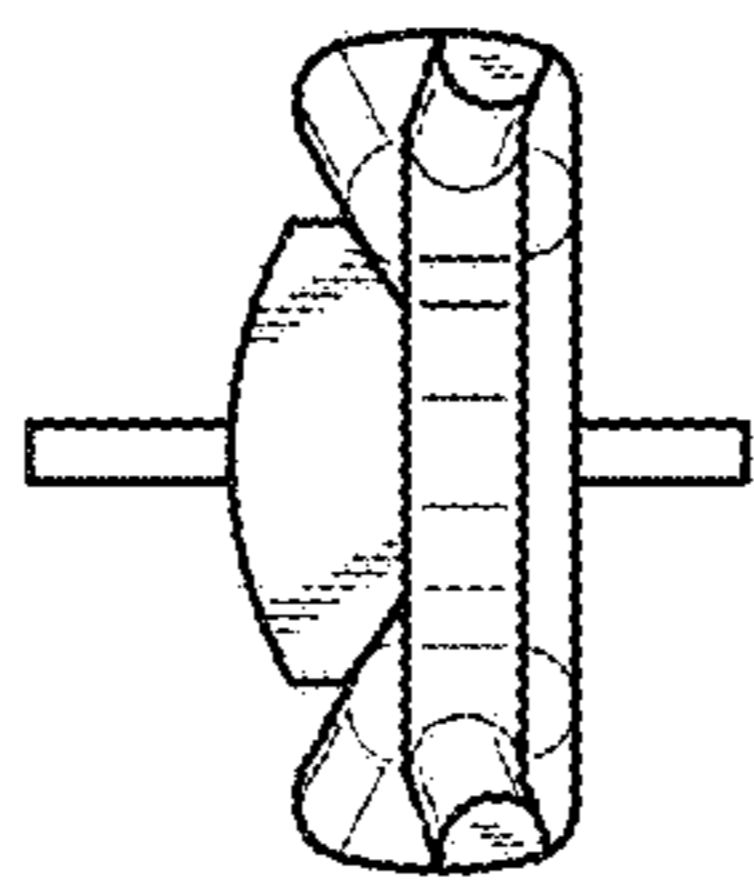


FIG. 9