



US00D774157S

(12) **United States Design Patent** (10) **Patent No.:** **US D774,157 S**  
**Koesler et al.** (45) **Date of Patent:** **\*\* Dec. 13, 2016**

(54) **SIGHTING DEVICE**  
(71) Applicant: **Trijicon, Inc.**, Wixom, MI (US)  
(72) Inventors: **Paul D. Koesler**, New Hudson, MI (US); **Joseph R. Adkins**, Detroit, MI (US)  
(73) Assignee: **Trijicon, Inc.**, Wixom, MI (US)  
(\*\*) Term: **14 Years**  
(21) Appl. No.: **29/522,792**  
(22) Filed: **Apr. 2, 2015**  
(51) **LOC (10) Cl.** ..... **22-01**  
(52) **U.S. Cl.**  
USPC ..... **D22/109**  
(58) **Field of Classification Search**  
USPC ..... D22/108-109  
CPC ..... F41G 11/003; F41G 1/00; F41G 1/16;  
F41G 1/345  
See application file for complete search history.

D741,446 S \* 10/2015 Cheng ..... D22/109  
D752,701 S \* 3/2016 Bengtsson ..... D22/109  
D757,886 S \* 5/2016 Cheng ..... D22/109  
9,389,046 B2 \* 7/2016 Cheng ..... F41G 1/38  
2014/0237884 A1 \* 8/2014 Koesler ..... F41G 1/30  
42/119  
2016/0216076 A1 \* 7/2016 Teetzel ..... G02B 23/125

\* cited by examiner

*Primary Examiner* — Michael A Pratt

(74) *Attorney, Agent, or Firm* — Harness, Dickey & Pierce, P.L.C.

(57) **CLAIM**

The ornamental design for a sighting device, as shown and described.

**DESCRIPTION**

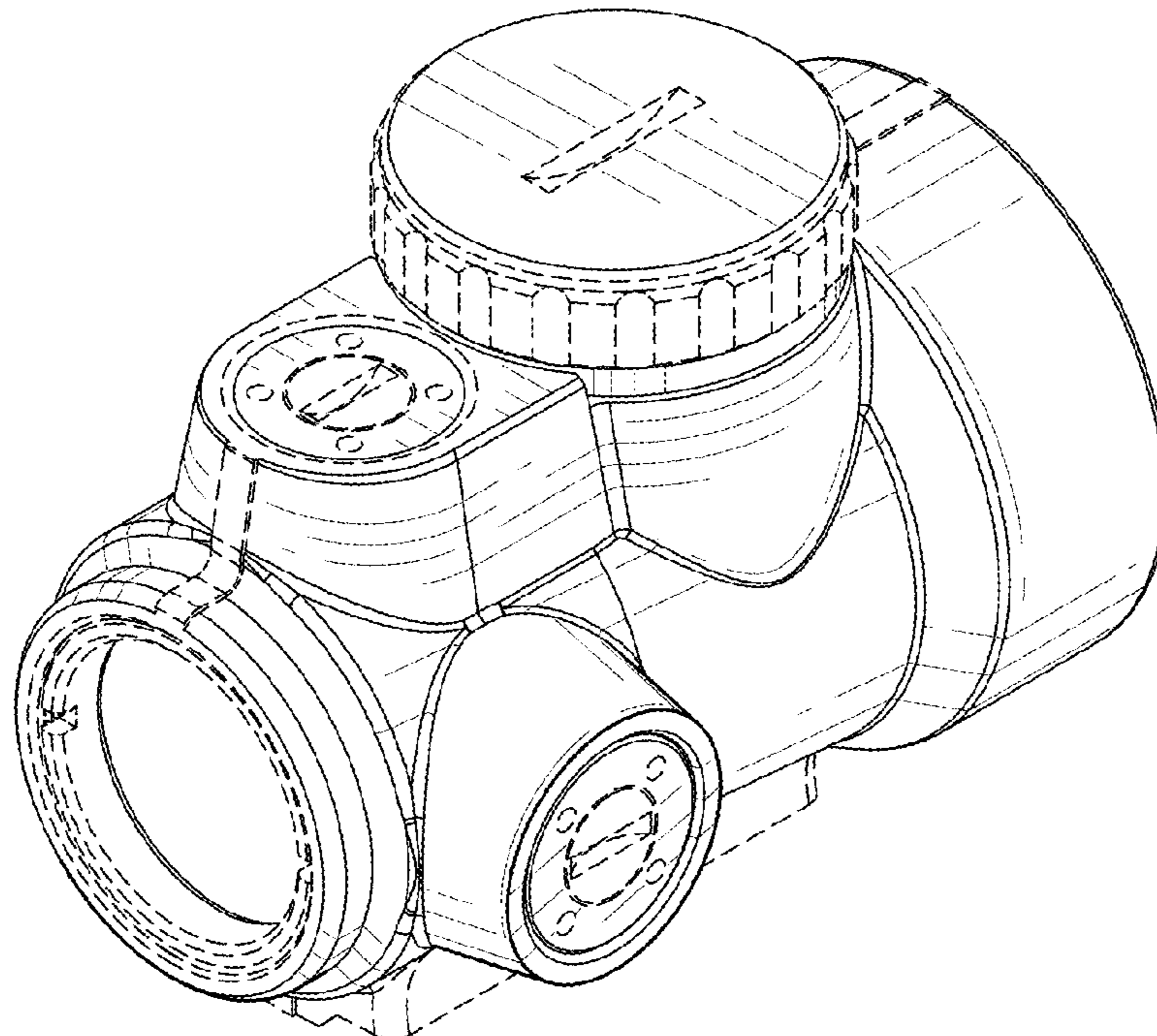
FIG. 1 is a rear perspective view of a sighting device in accordance with the principles of the present disclosure; FIG. 2 is a front perspective view of the sighting device of FIG. 1; FIG. 3 is a rear view of the sighting device of FIG. 1; FIG. 4 is a front view of the sighting device of FIG. 1; FIG. 5 is a side view of the sighting device of FIG. 1; FIG. 6 is a side view of the sighting device of FIG. 1; FIG. 7 is a top view of the sighting device of FIG. 1; and, FIG. 8 is a bottom view of the sighting device of FIG. 1. The broken lines in the drawings illustrate portions of the sighting device which form no part of the claimed design.

**1 Claim, 4 Drawing Sheets**

(56) **References Cited**

U.S. PATENT DOCUMENTS

D349,510 S \* 8/1994 Tomita ..... D16/132  
D427,275 S \* 6/2000 Gilmore ..... D16/130  
D615,141 S \* 5/2010 Leighton ..... D22/108  
D672,005 S \* 12/2012 Hedeem ..... D22/109  
D679,775 S \* 4/2013 Cheng ..... D22/109



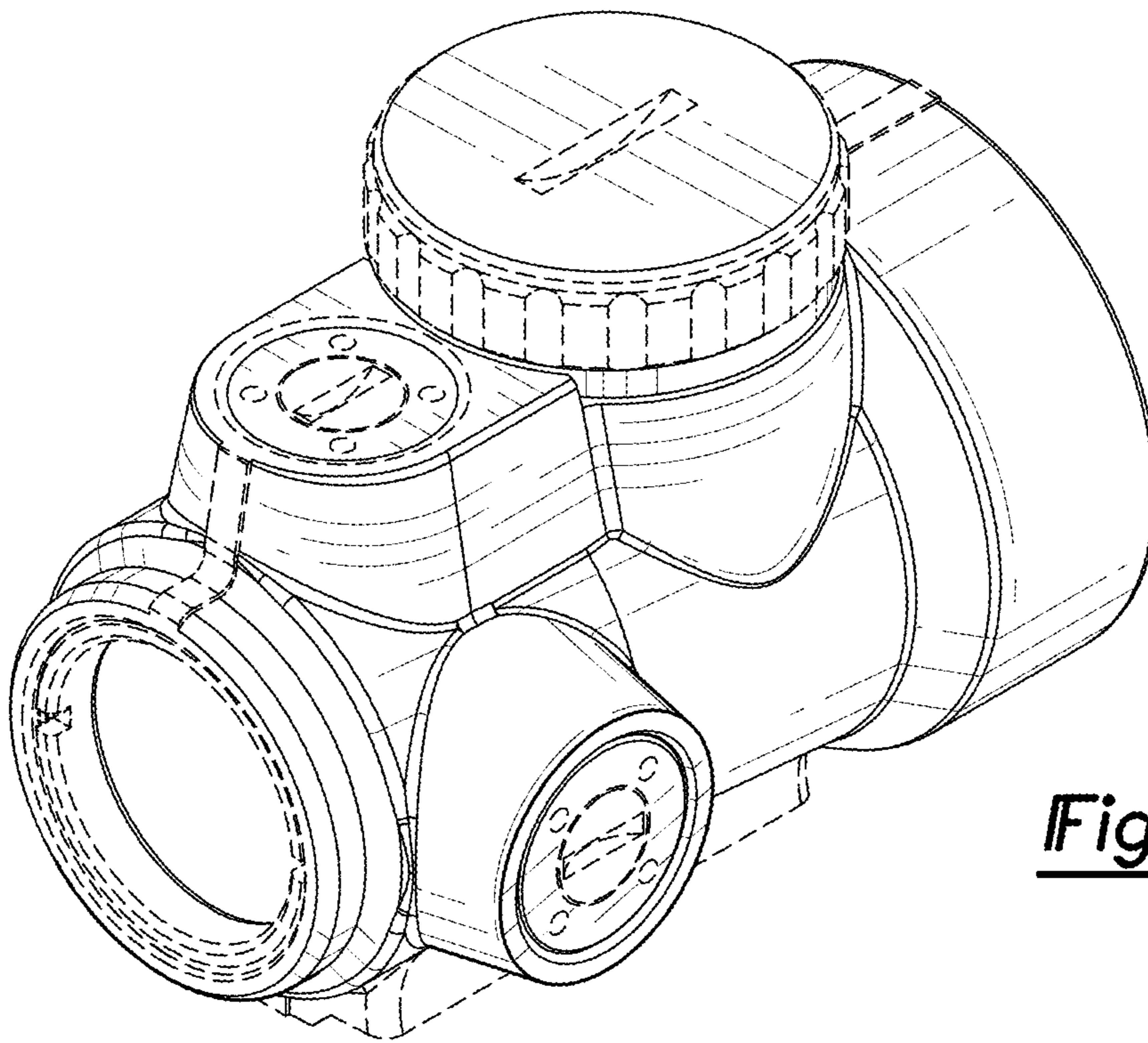


Fig-1

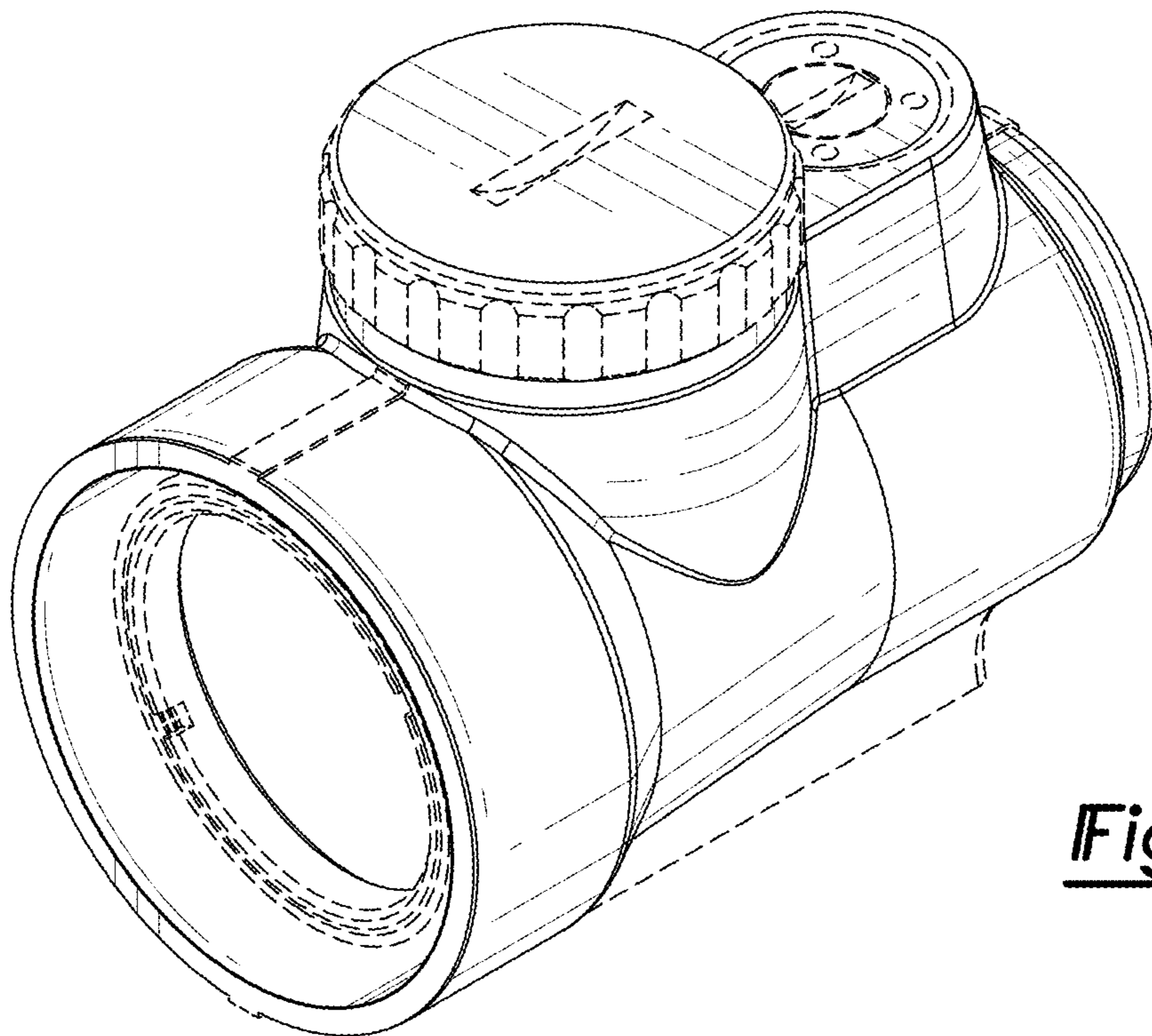


Fig-2



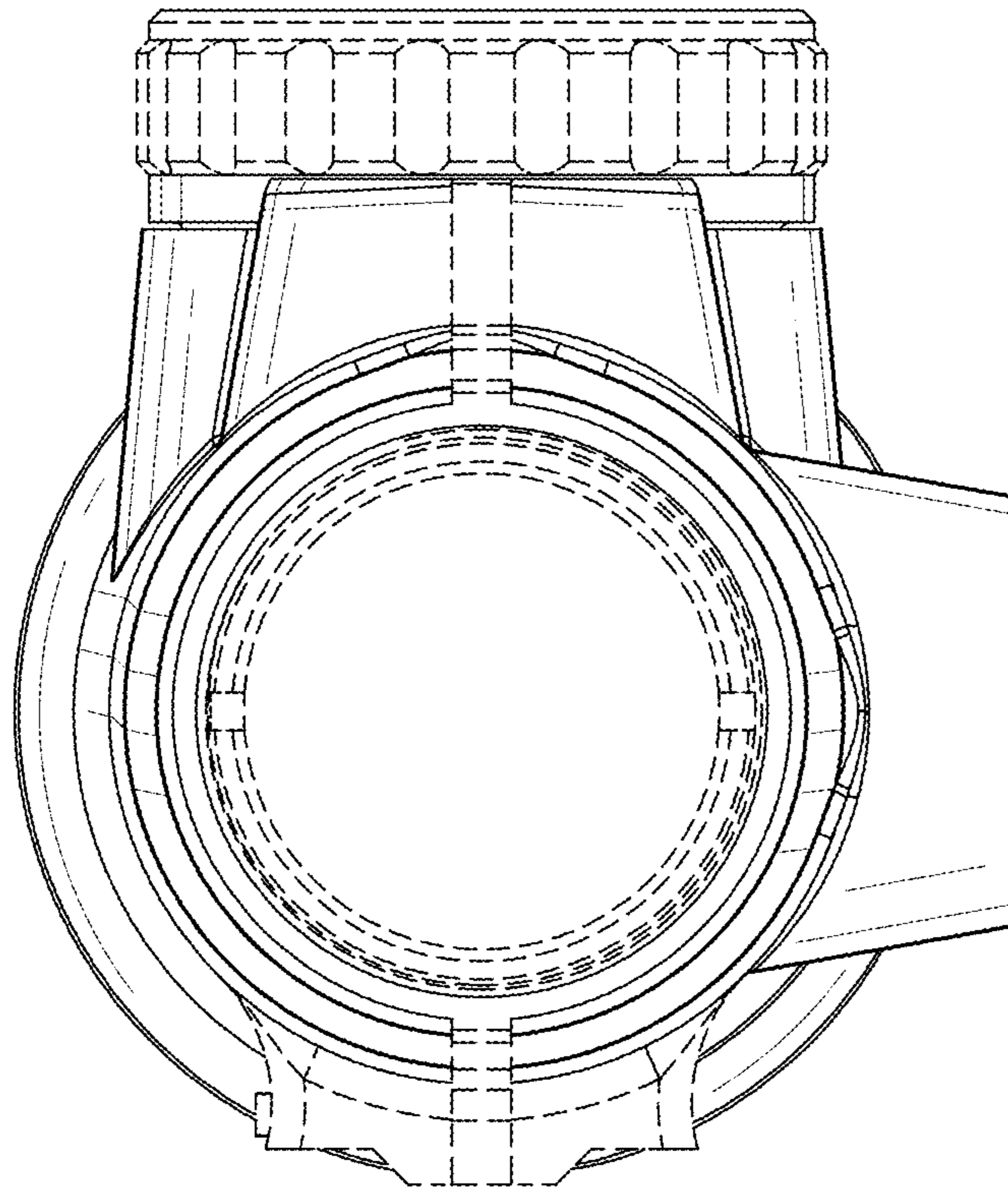


Fig-3

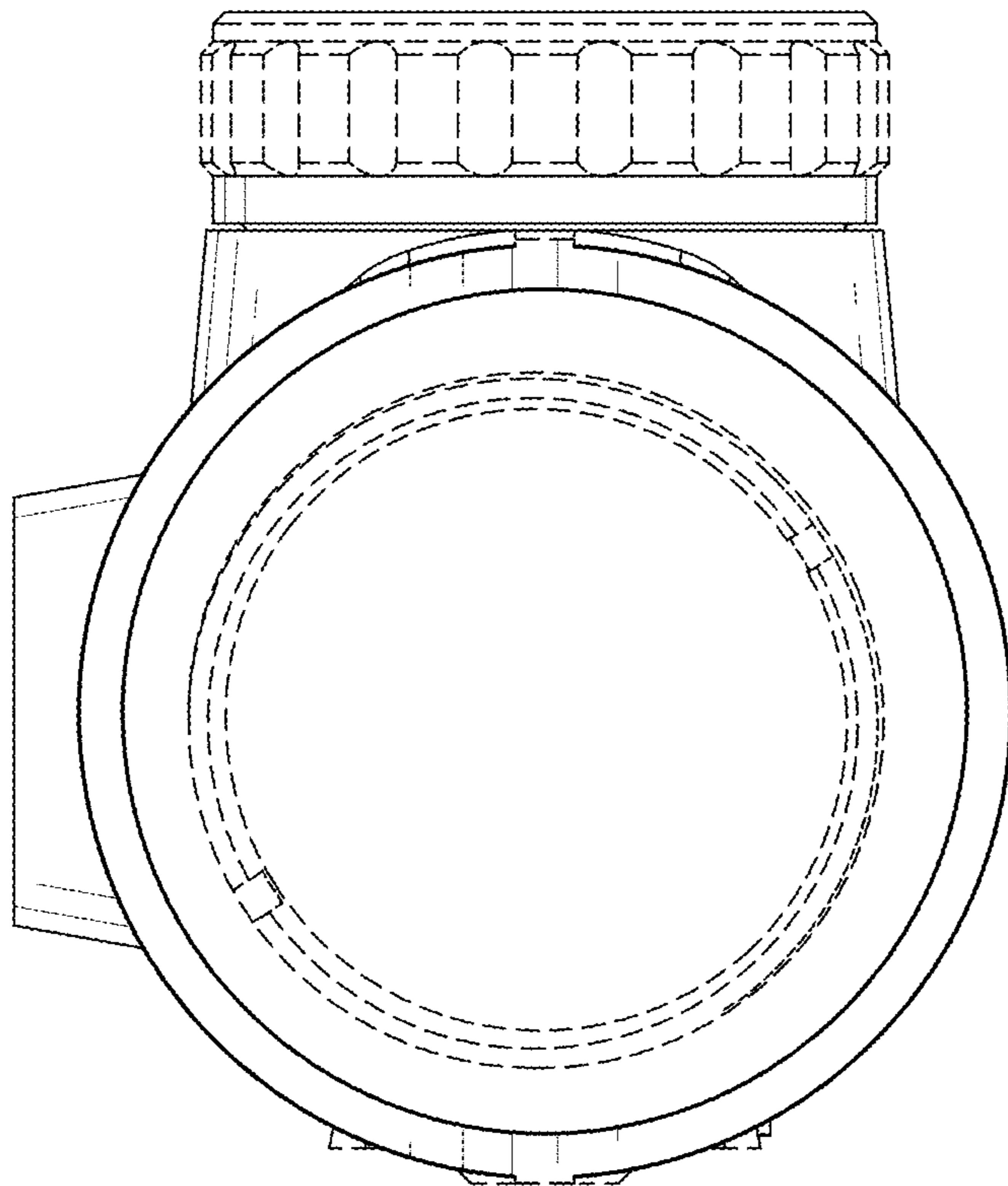


Fig-4

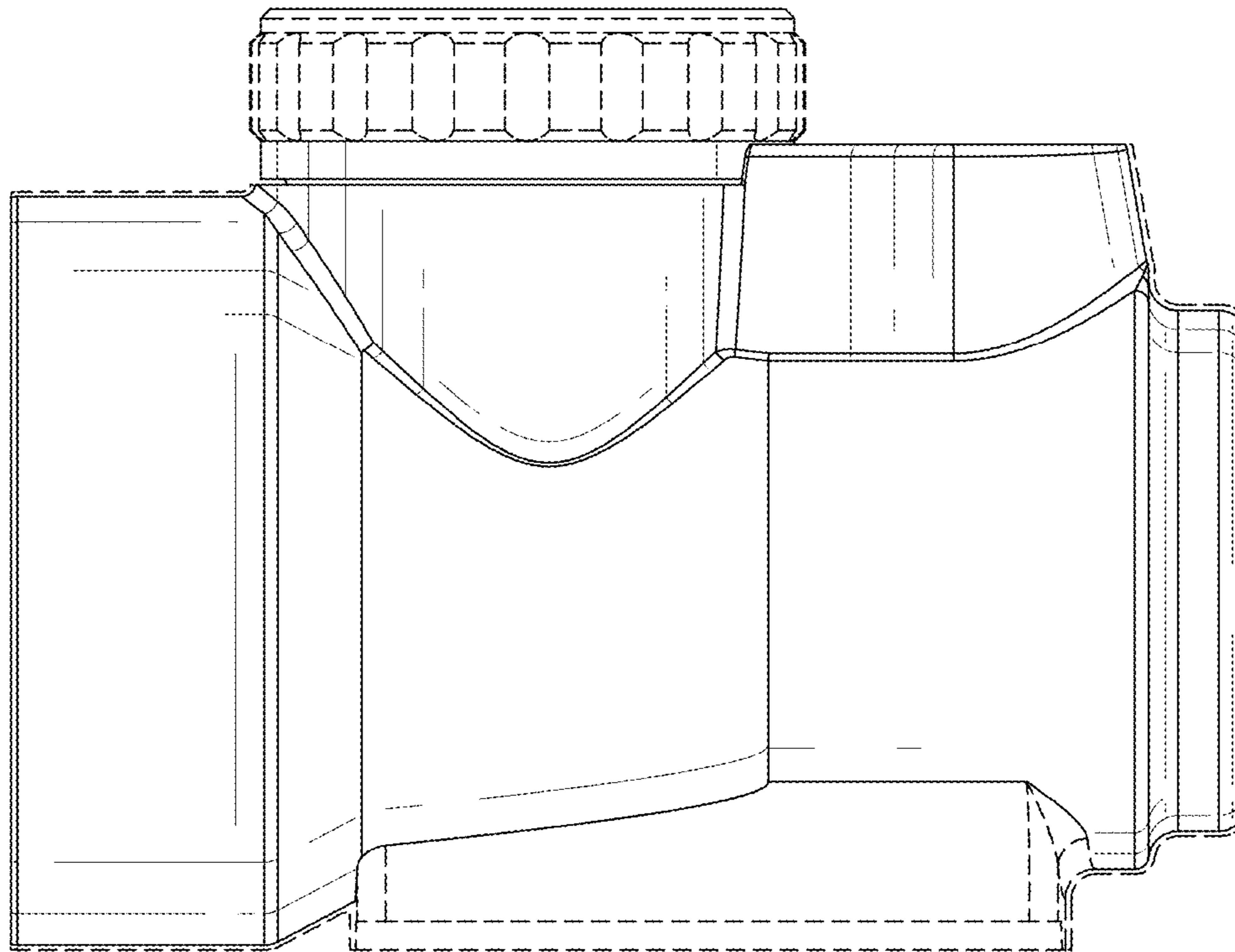


Fig-5

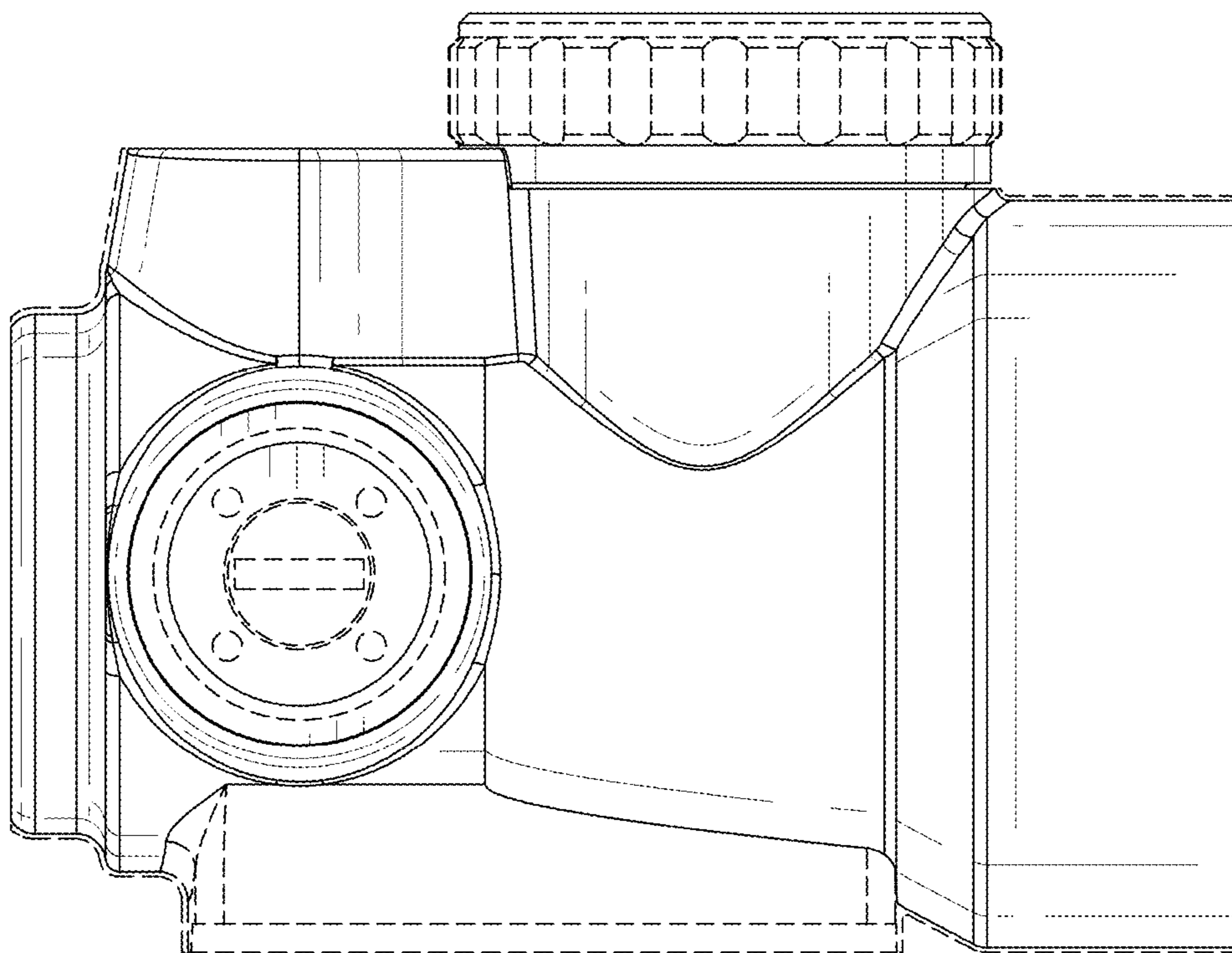


Fig-6

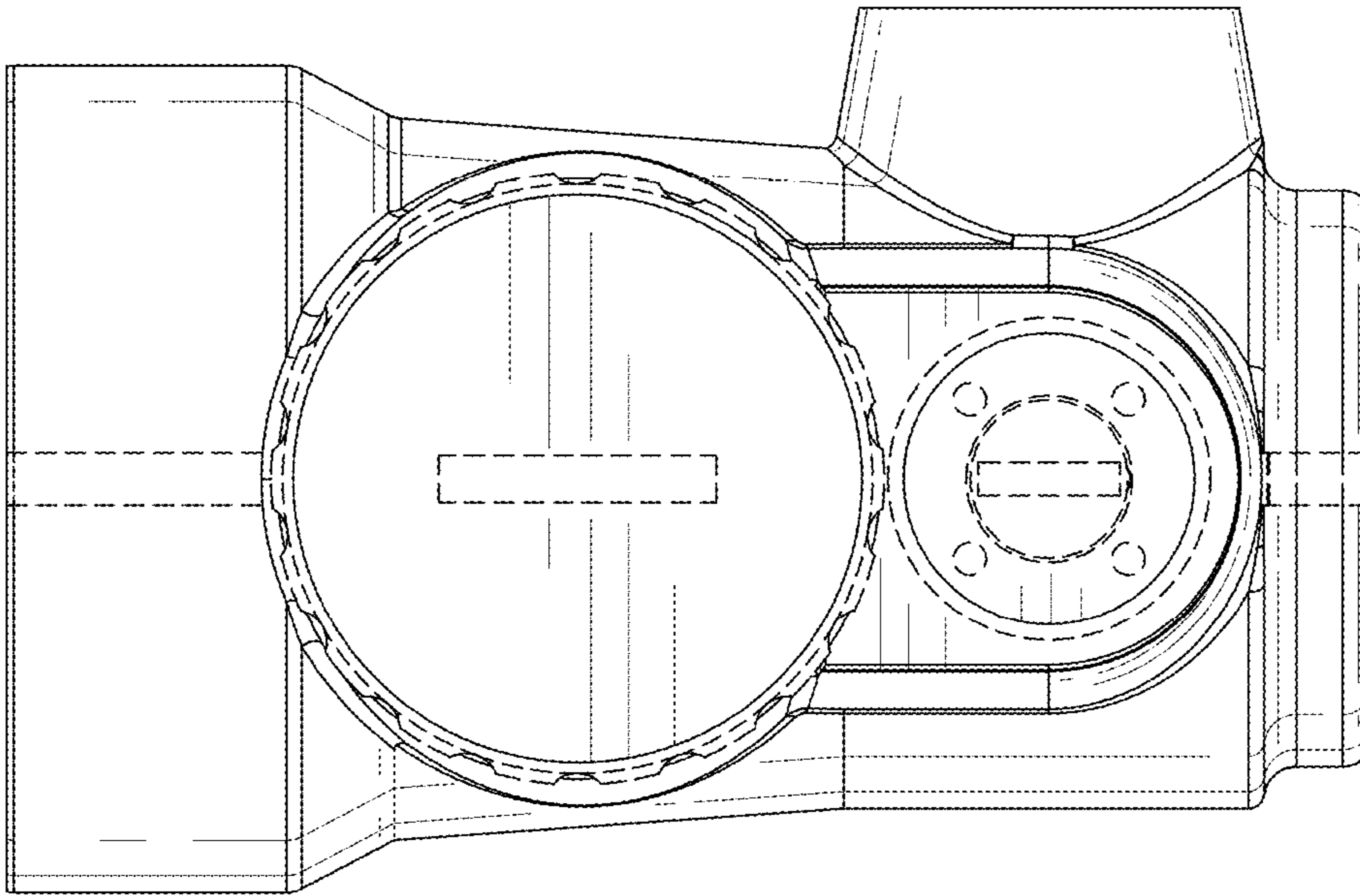


Fig-7

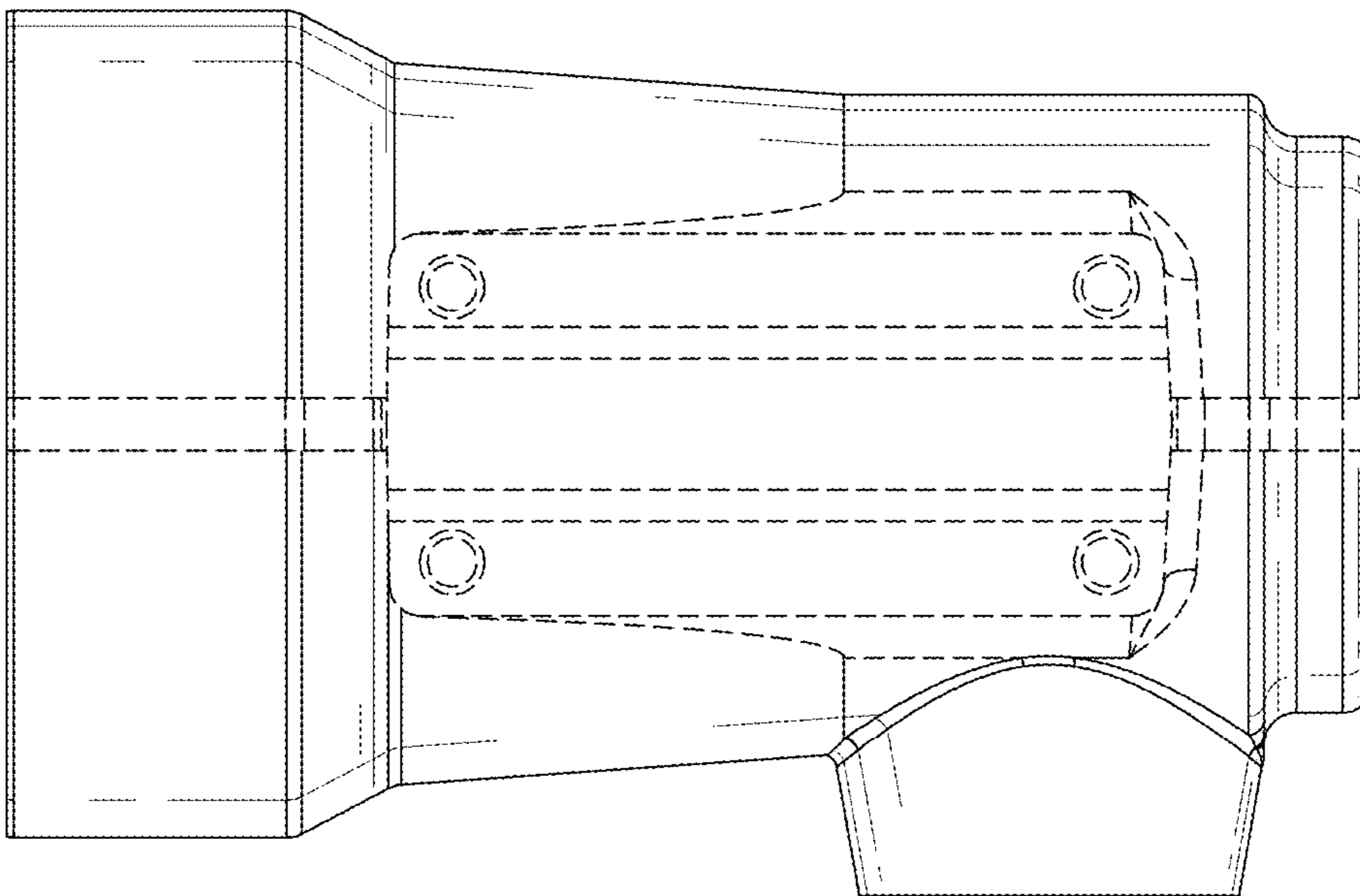


Fig-8